



US00D596729S

(12) **United States Design Patent**
Langley et al.

(10) **Patent No.:** **US D596,729 S**
(45) **Date of Patent:** **** Jul. 21, 2009**

(54) **AIR FRESHENER**

(75) Inventors: **Kate Langley**, Hull (GB); **Mark Thomas**, St. Peters, MO (US); **Matthew Copeman**, Hull (GB)

(73) Assignee: **Recknitt Benckiser (UK) Limited**, Slough, Berkshire (GB)

(**) Term: **14 Years**

(21) Appl. No.: **29/317,564**

(22) Filed: **May 1, 2008**

(30) **Foreign Application Priority Data**

Nov. 5, 2007 (EM) 000867890-0001

(51) **LOC (9) Cl.** **28-99**

(52) **U.S. Cl.** **D23/366**

(58) **Field of Classification Search** D23/355-369;
261/DIG. 17, DIG. 42, DIG. 65, DIG. 88,
261/DIG. 89; 239/34, 35, 37, 44, 53, 56,
239/57, 60, 136, 326; 392/386, 390, 394,
392/395; D28/5, 6

See application file for complete search history.

(56) **References Cited**

U.S. PATENT DOCUMENTS

5,483,616 A * 1/1996 Chiu et al. 392/406
D383,201 S * 9/1997 Jane' et al. D23/358
D384,140 S * 9/1997 Jane' et al. D23/356

D432,222 S * 10/2000 Rymer et al. D23/366
D433,744 S * 11/2000 Basaganas D23/366
D461,549 S * 8/2002 Garcia D23/360
D539,892 S * 4/2007 Caserta et al. D23/366
D542,902 S * 5/2007 Caserta et al. D23/366
D542,903 S * 5/2007 Caserta et al. D23/366
D548,318 S * 8/2007 Copeman D23/366
D556,311 S * 11/2007 Copeman D23/366

* cited by examiner

Primary Examiner—Sandra Snapp

(57) **CLAIM**

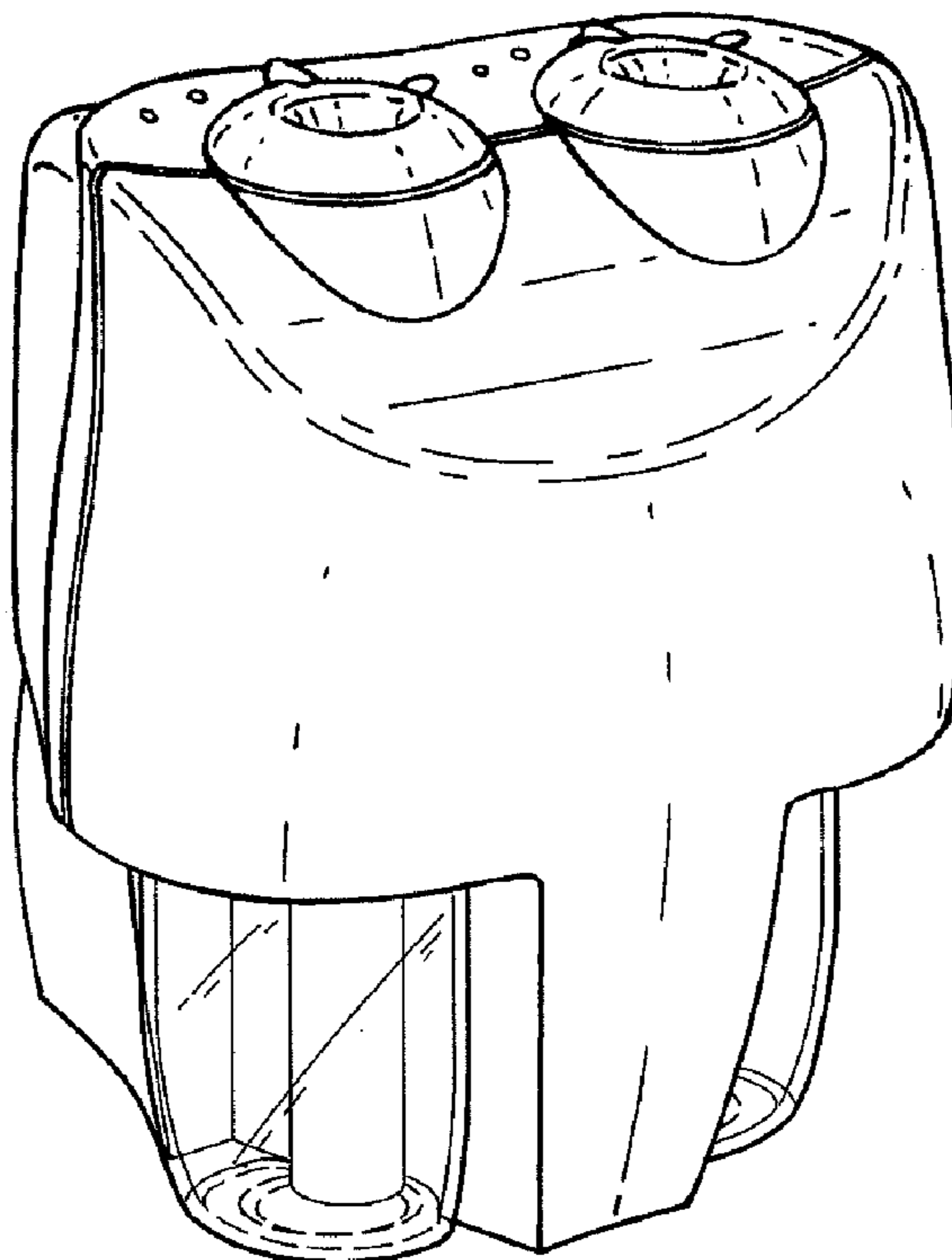
The ornamental design for an air freshener device, as shown and described.

DESCRIPTION

FIG. 1 is a front perspective view of our air freshener device; FIG. 2 is an elevation view of the front thereof; FIG. 3 is an elevation view of the rear thereof; FIG. 4 is an elevation view of the right side thereof; FIG. 5 is an elevation view of the left side thereof; FIG. 6 is a plan view of the top thereof; and, FIG. 7 is a plan view of the bottom thereof.

The broken lines shown in the drawings are included for illustrative purposes only and form no part of the claimed design.

1 Claim, 4 Drawing Sheets



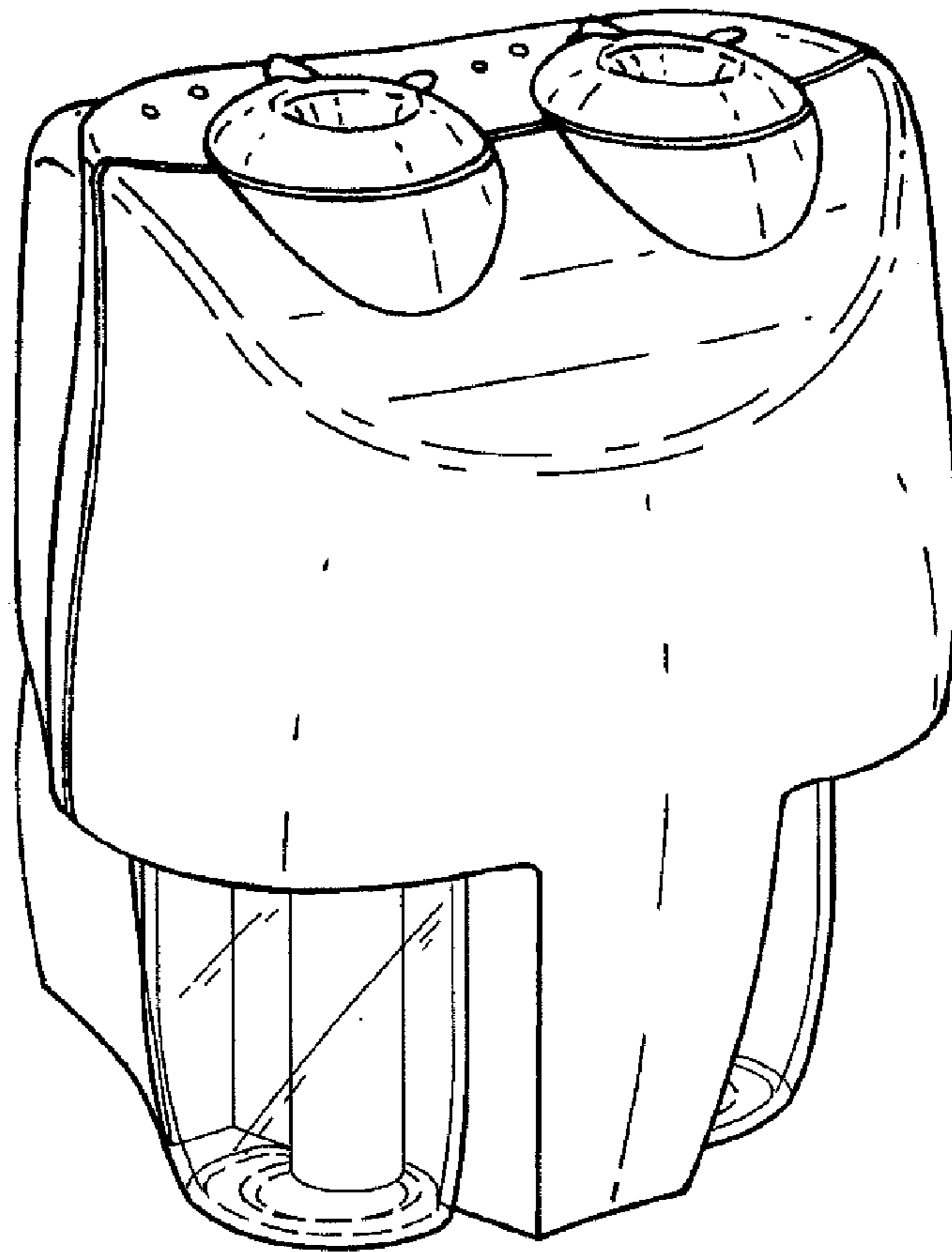


Fig.1.

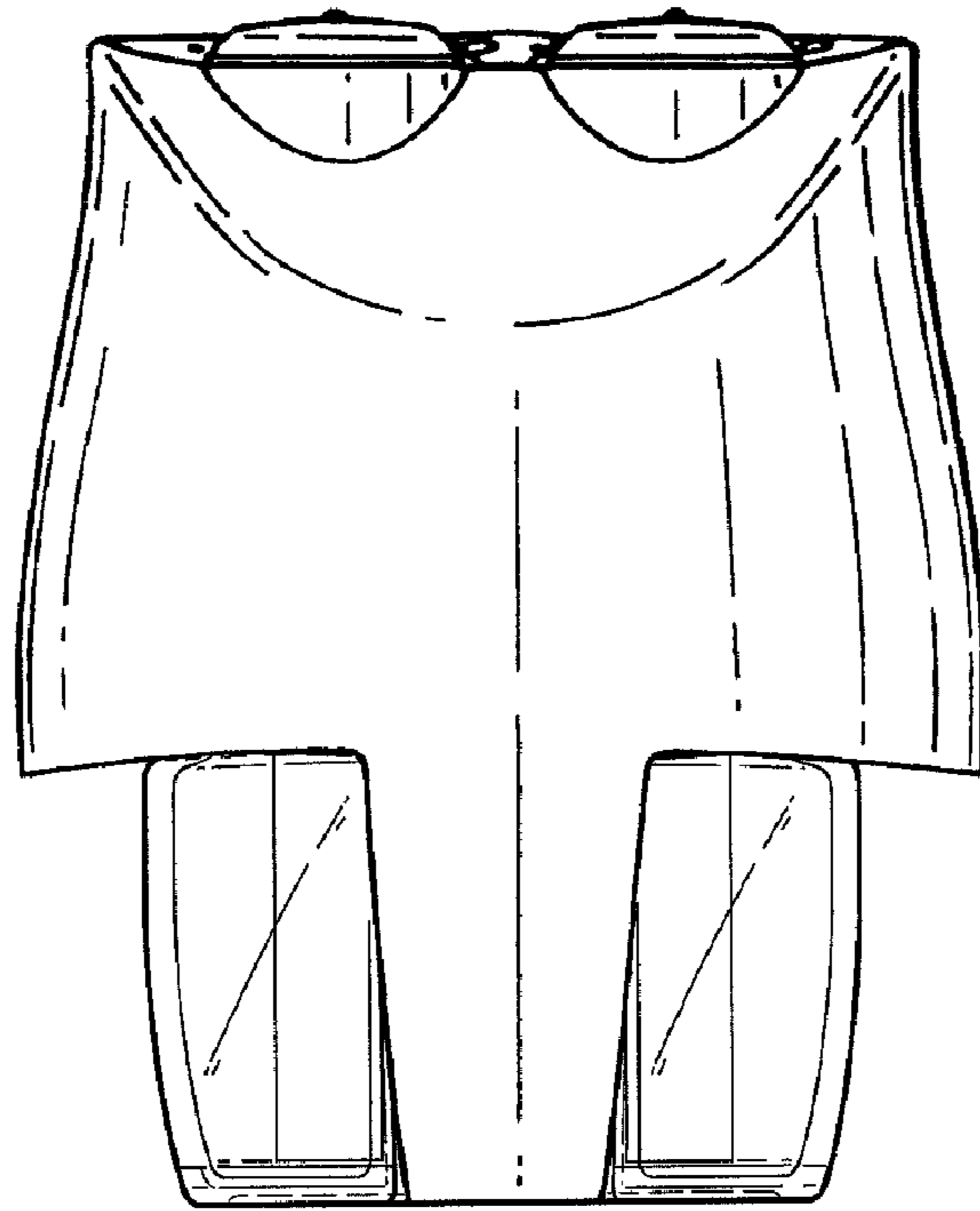


Fig.2.

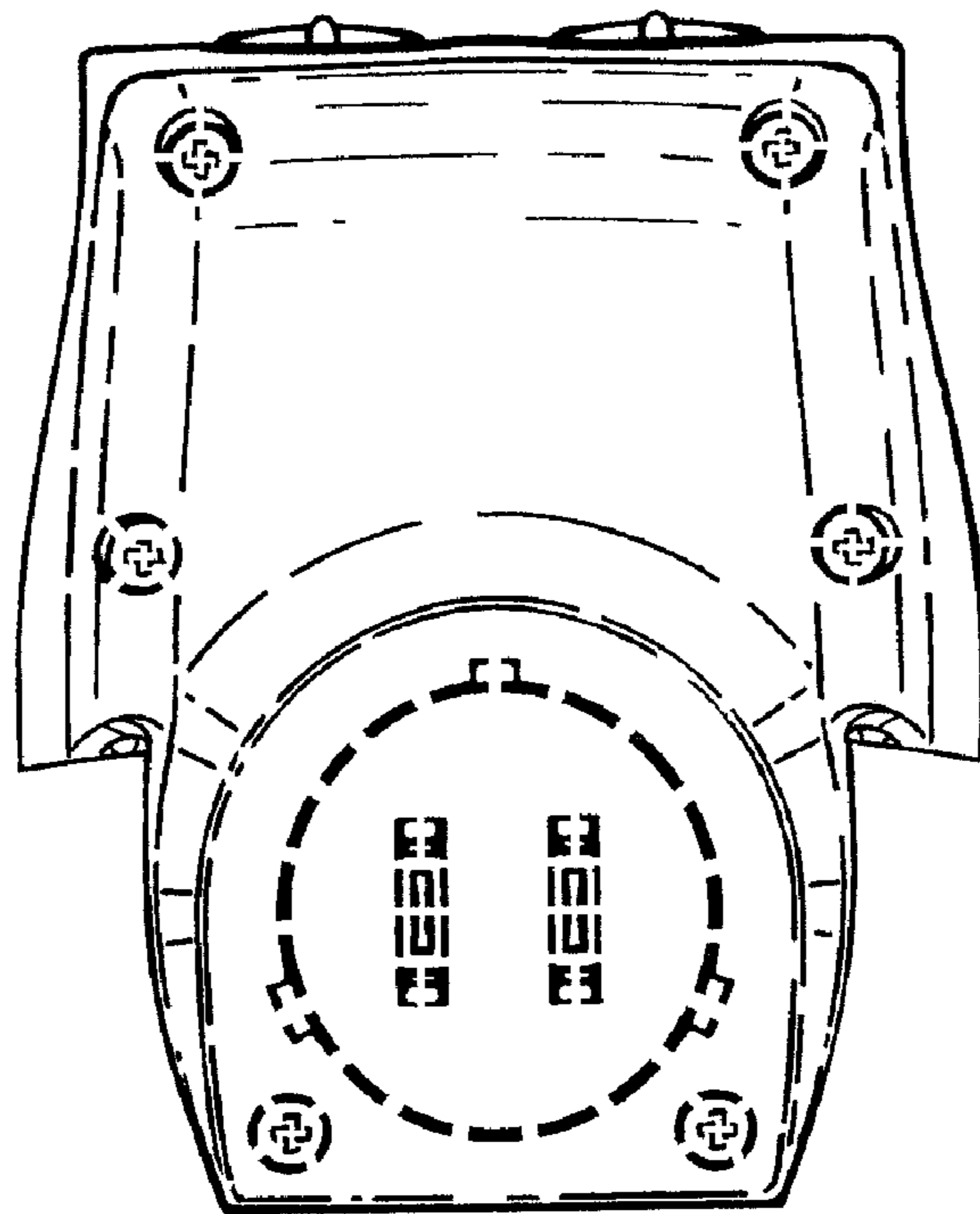


Fig.3.

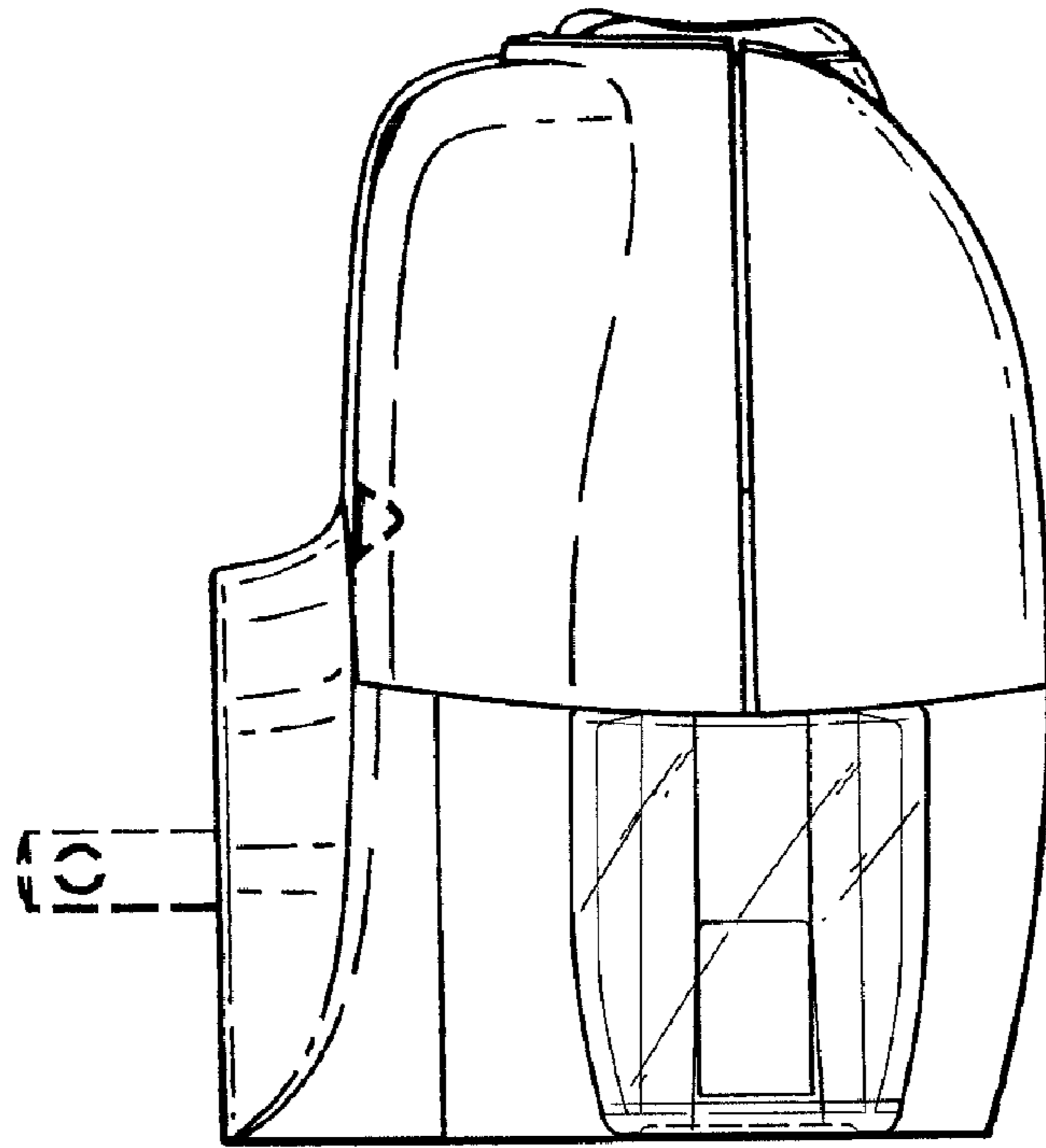


Fig.4.

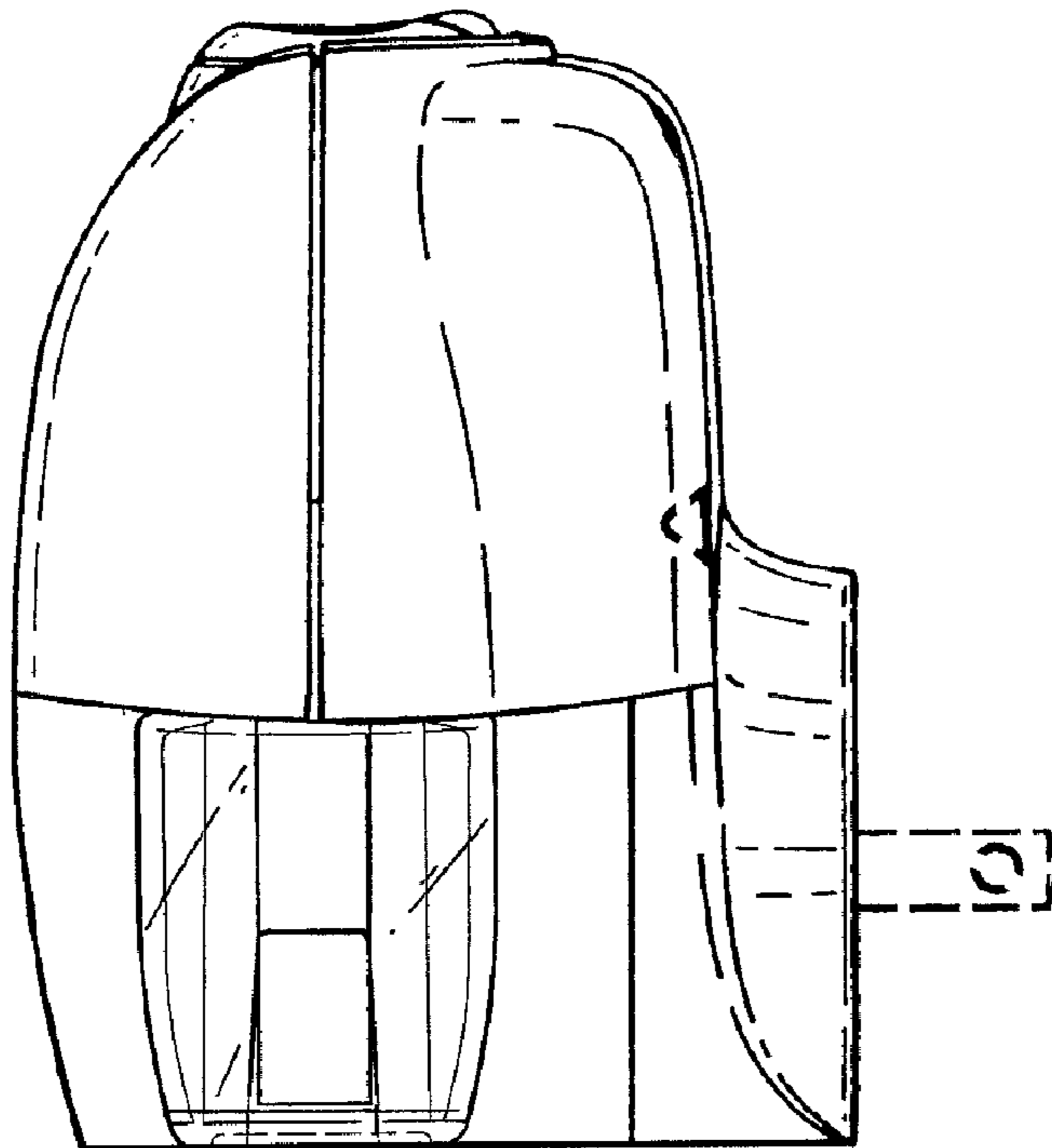


Fig.5.

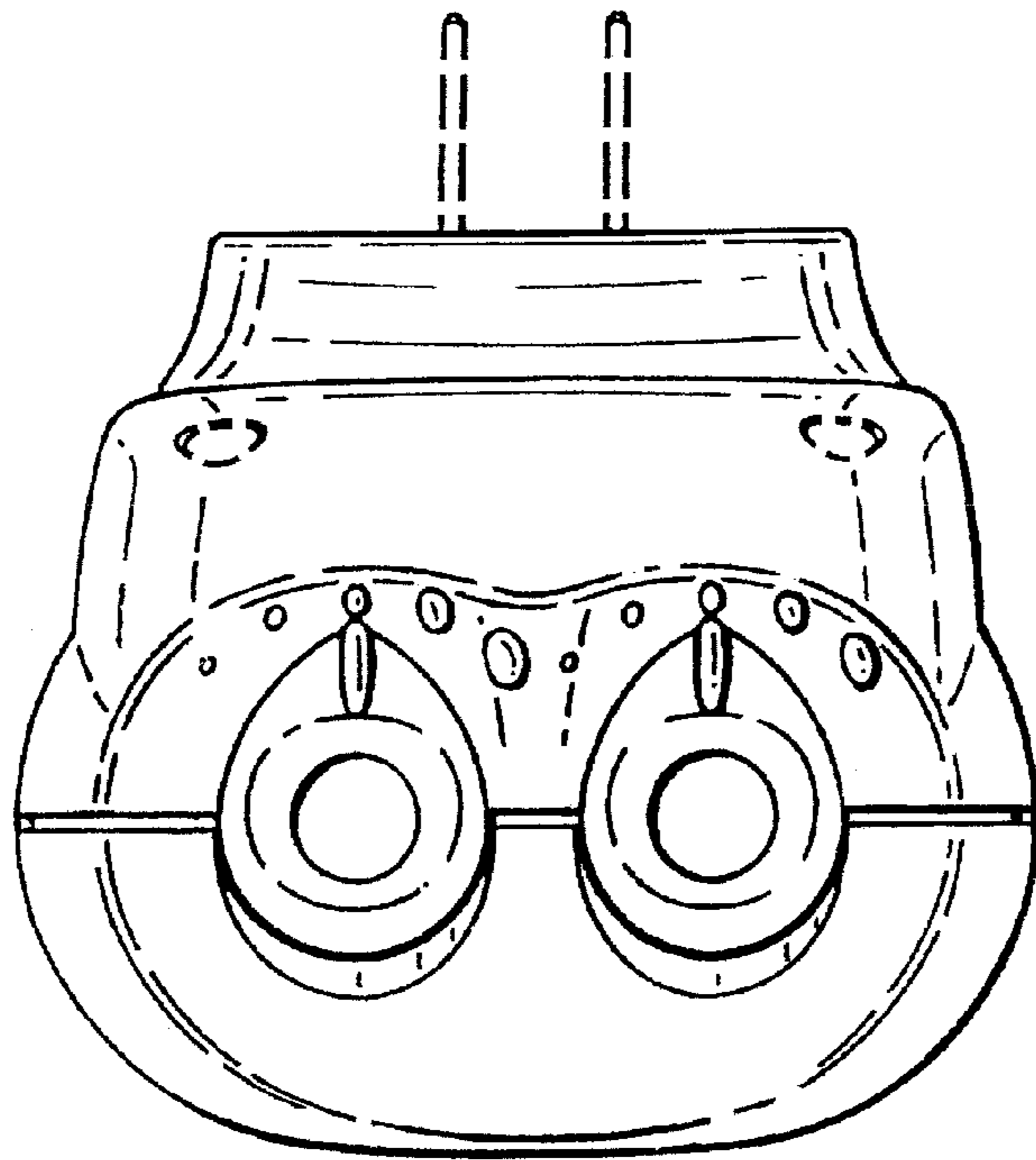


Fig.6.

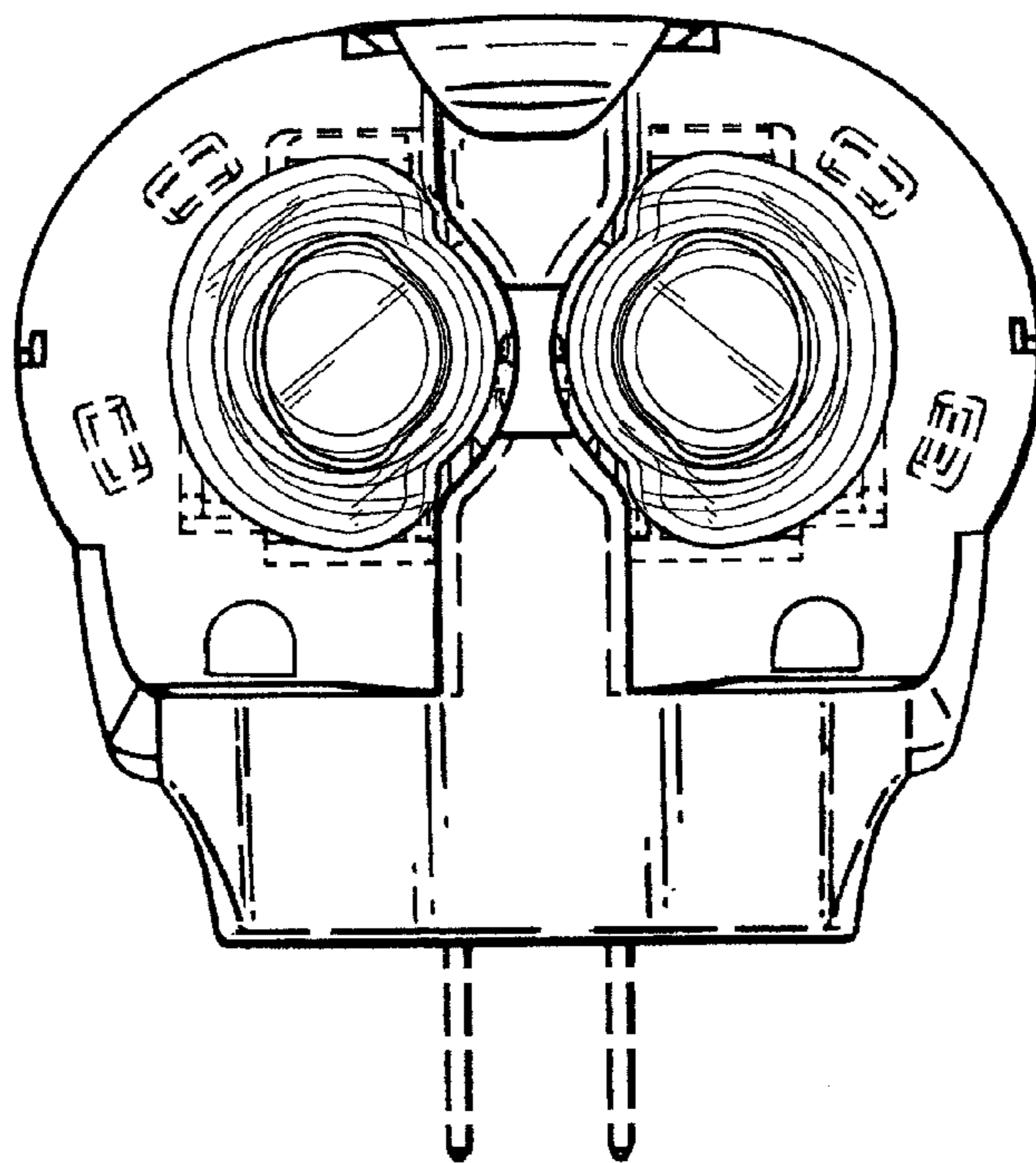


Fig.7.

UNITED STATES PATENT AND TRADEMARK OFFICE
CERTIFICATE OF CORRECTION

PATENT NO. : Des. 596,729 S
APPLICATION NO. : 29/317564
DATED : July 21, 2009
INVENTOR(S) : Kate Langley

Page 1 of 1

It is certified that error appears in the above-identified patent and that said Letters Patent is hereby corrected as shown below:

On the Title Pg, Item [73], the Assignee
"Recknitt Benckiser (UK) Limited"

should read
Reckitt Benckiser

Signed and Sealed this

Tenth Day of November, 2009



David J. Kappos
Director of the United States Patent and Trademark Office

UNITED STATES PATENT AND TRADEMARK OFFICE
CERTIFICATE OF CORRECTION

PATENT NO. : Des. 596,729 S
APPLICATION NO. : 29/317564
DATED : July 21, 2009
INVENTOR(S) : Kate Langley

Page 1 of 1

It is certified that error appears in the above-identified patent and that said Letters Patent is hereby corrected as shown below:

On the Title Pg, Item [73], the Assignee
"Recknitt Benckiser (UK) Limited"

should read
Reckitt Benckiser (UK) Limited

This certificate supersedes the Certificate of Correction issued November 10, 2009.

Signed and Sealed this

Seventeenth Day of August, 2010



David J. Kappos
Director of the United States Patent and Trademark Office