



US00D596728S

(12) **United States Design Patent**
Campbell et al.

(10) **Patent No.:** **US D596,728 S**
(45) **Date of Patent:** **** Jul. 21, 2009**

(54) **AIR PURIFIER HOUSING**
(75) Inventors: **Glennbruce S. Campbell**, Memphis, TN
(US); **Robert Schultz**, Memphis, TN
(US); **Nicole A. Moody**, Memphis, TN
(US)
(73) Assignee: **Hunter Fan Company**, Memphis, TN
(US)
(**) Term: **14 Years**
(21) Appl. No.: **29/297,531**
(22) Filed: **Nov. 13, 2007**

D439,320 S * 3/2001 Lee D23/366
D451,182 S 11/2001 Tsuji
D462,754 S * 9/2002 Briggs et al. D23/364
D488,664 S * 4/2004 Seum et al. D7/330
D488,854 S 4/2004 Stauffer
D489,564 S * 5/2004 Enriquez et al. D7/330
D489,801 S * 5/2004 Shimizu D23/364
D523,841 S * 6/2006 Van Kastel D14/188
D534,999 S * 1/2007 Hussaini et al. D23/335
D537,512 S * 2/2007 Nakajima D23/359
D550,342 S 9/2007 Campbell
D557,783 S * 12/2007 Yoo et al. D23/359
D565,159 S * 3/2008 Shin et al. D23/356

* cited by examiner

Primary Examiner—T. Chase Nelson
Assistant Examiner—David G Muller
(74) *Attorney, Agent, or Firm*—Baker Donelson et al.

(51) **LOC (9) Cl.** **23-04**
(52) **U.S. Cl.** **D23/364**
(58) **Field of Classification Search** D23/364,
D23/355, 356, 359, 360, 362, 352, 366, 369,
D23/332, 333, 335, 336, 342, 351; 422/120,
422/122; 55/356, 473, 504; 96/63; D14/188,
D14/170, 172; 261/DIG. 17, DIG. 65, DIG. 88,
261/DIG. 31; D7/330

(57) **CLAIM**

The ornamental design for an air purifier housing, as shown and described.

See application file for complete search history.

DESCRIPTION

FIG. 1 is a perspective view of a air purifier housing showing our new design.
FIG. 2 is a rear view thereof.
FIG. 3 is a front view thereof.
FIG. 4 is a left side view thereof, the right side view being a mirror image thereof.
FIG. 5 is a top view thereof; and,
FIG. 6 is a bottom view thereof.

(56) **References Cited**
U.S. PATENT DOCUMENTS
D374,070 S * 9/1996 Tomasiak et al. D23/356
D395,309 S * 6/1998 Hisatsune D14/188
D395,704 S 6/1998 Thomas et al.
D396,097 S 7/1998 Thomas et al.
D400,659 S * 11/1998 Boyle et al. D23/332
D402,022 S 12/1998 Termeer et al.
D402,745 S 12/1998 Termeer et al.

1 Claim, 3 Drawing Sheets

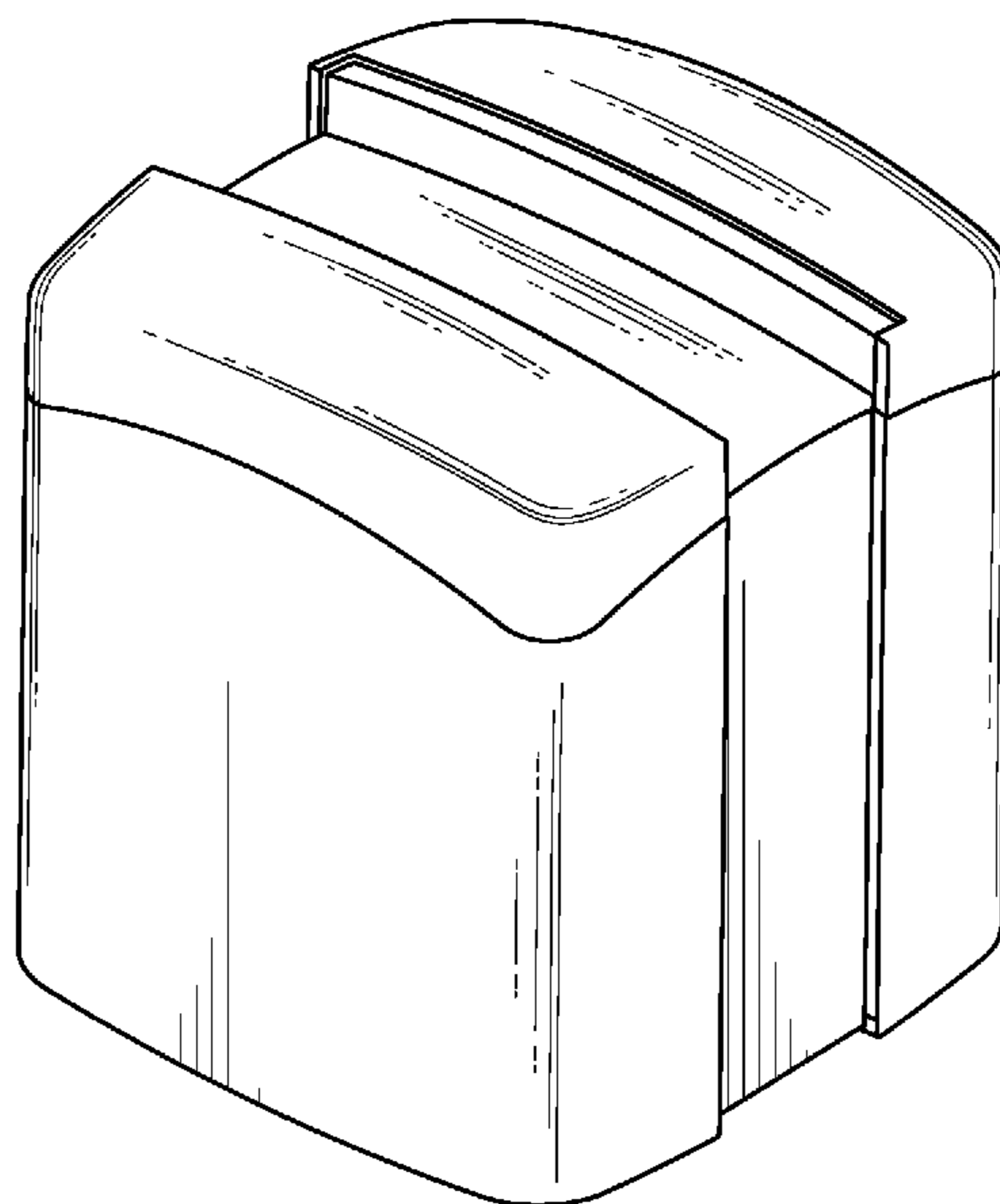


Fig. 1

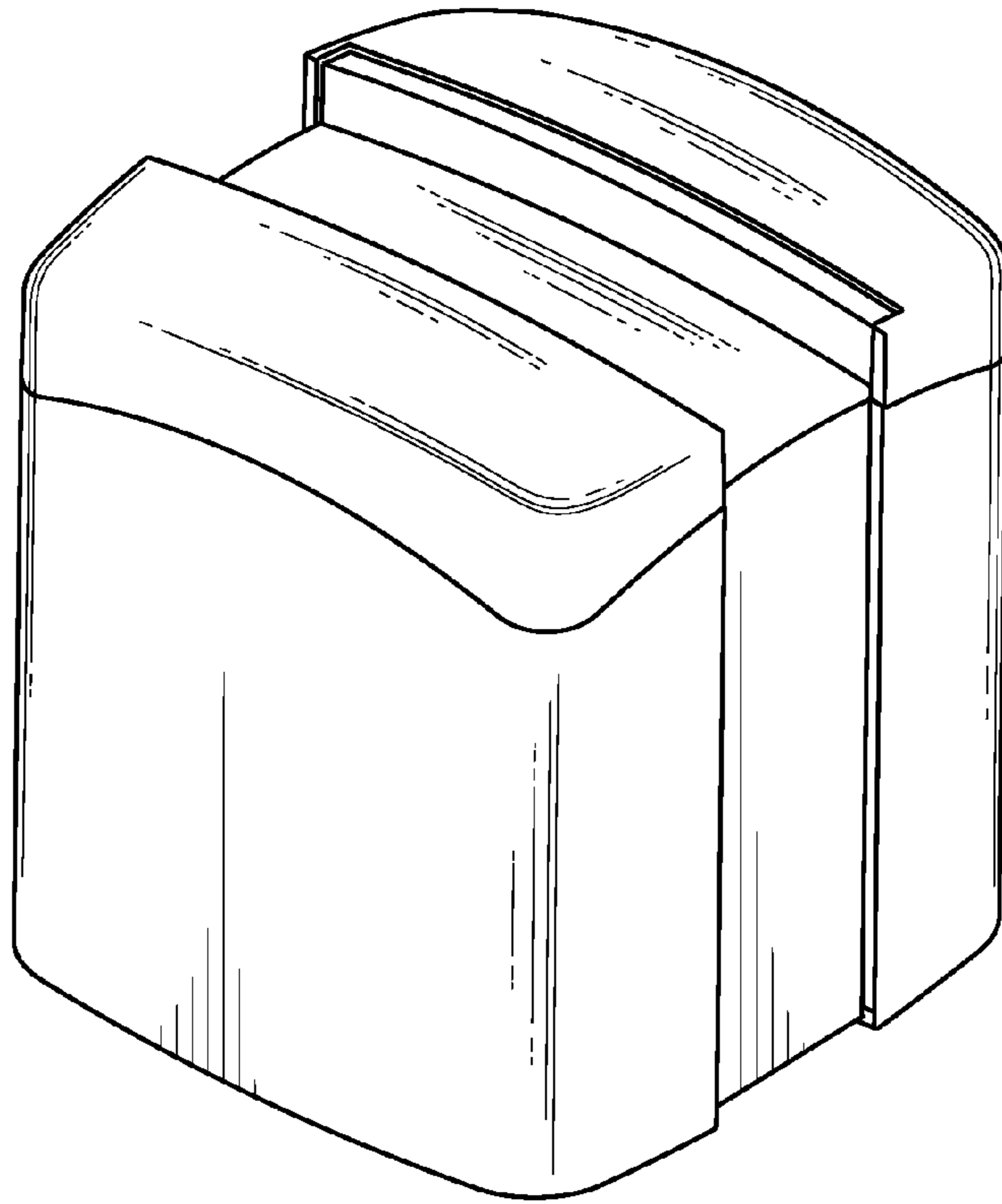


Fig. 2

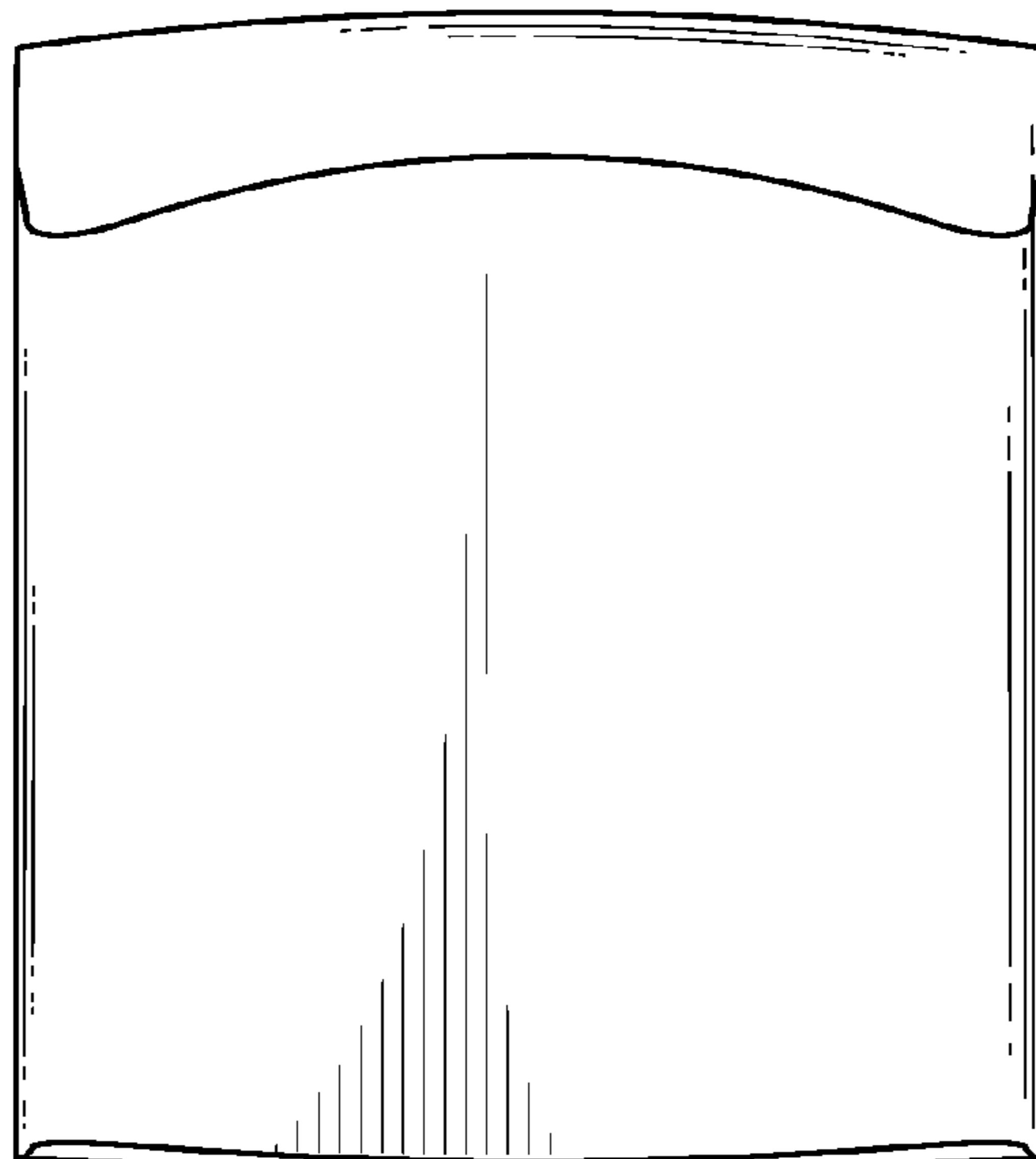


Fig. 3

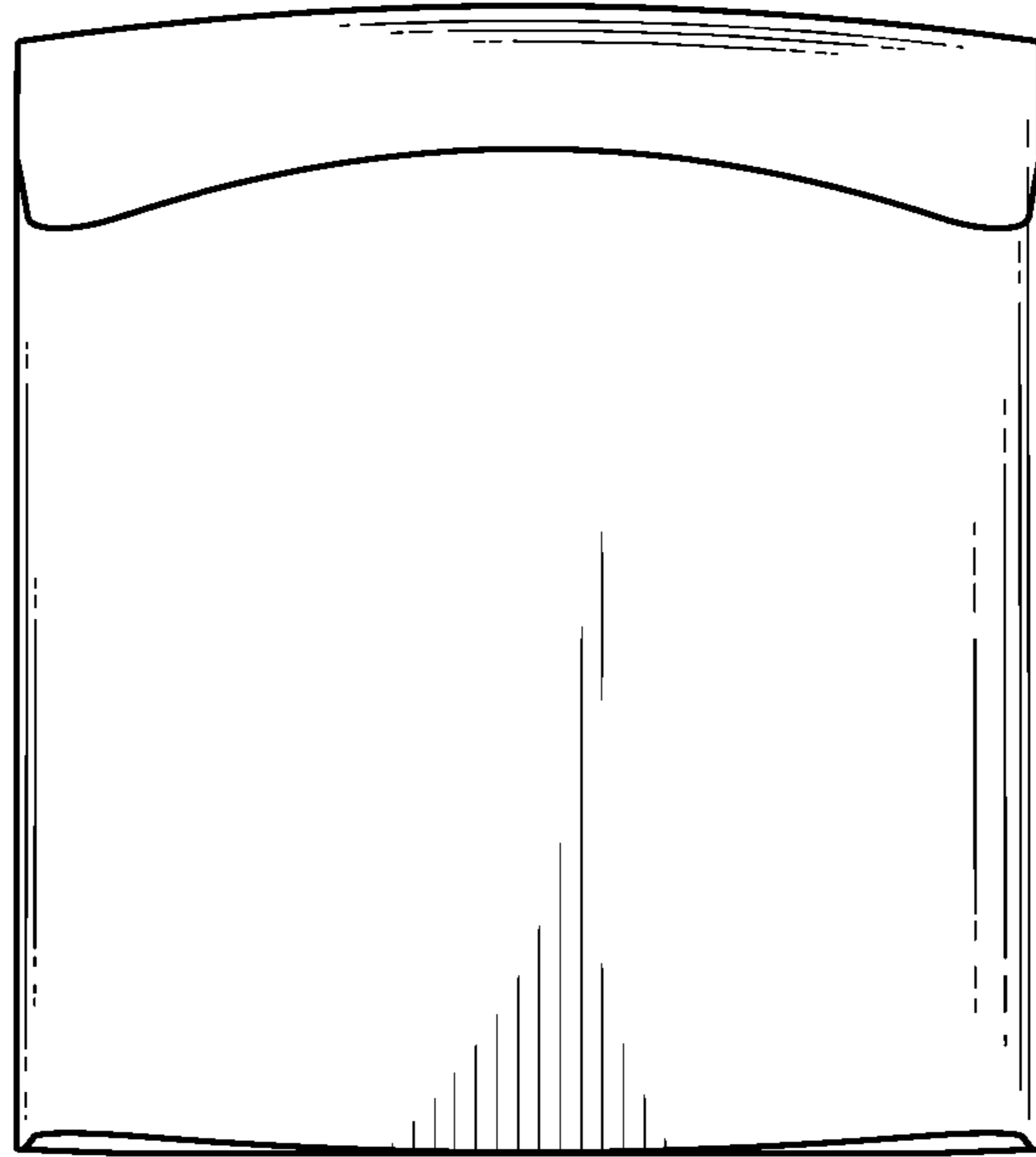


Fig. 4

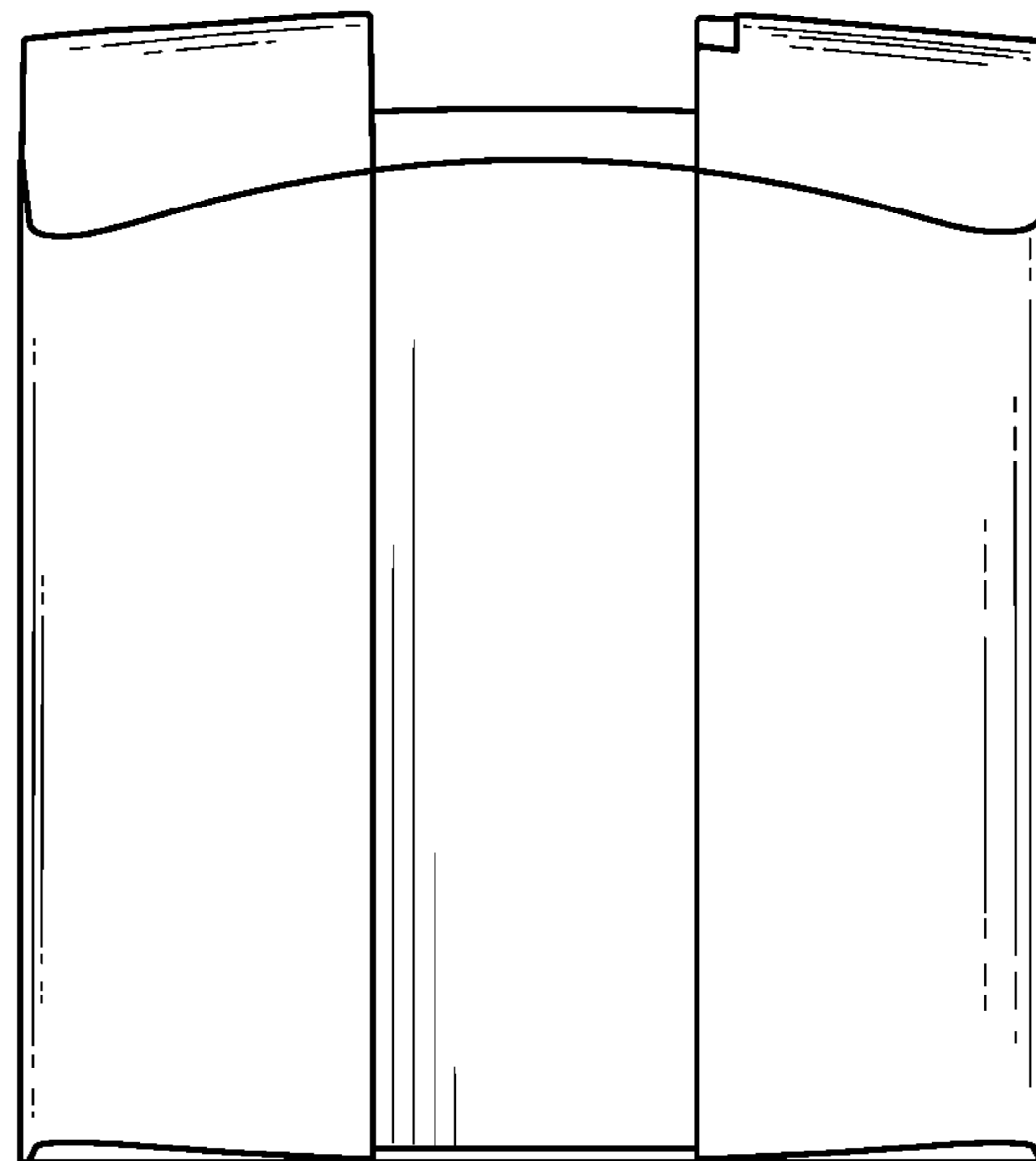


Fig. 5

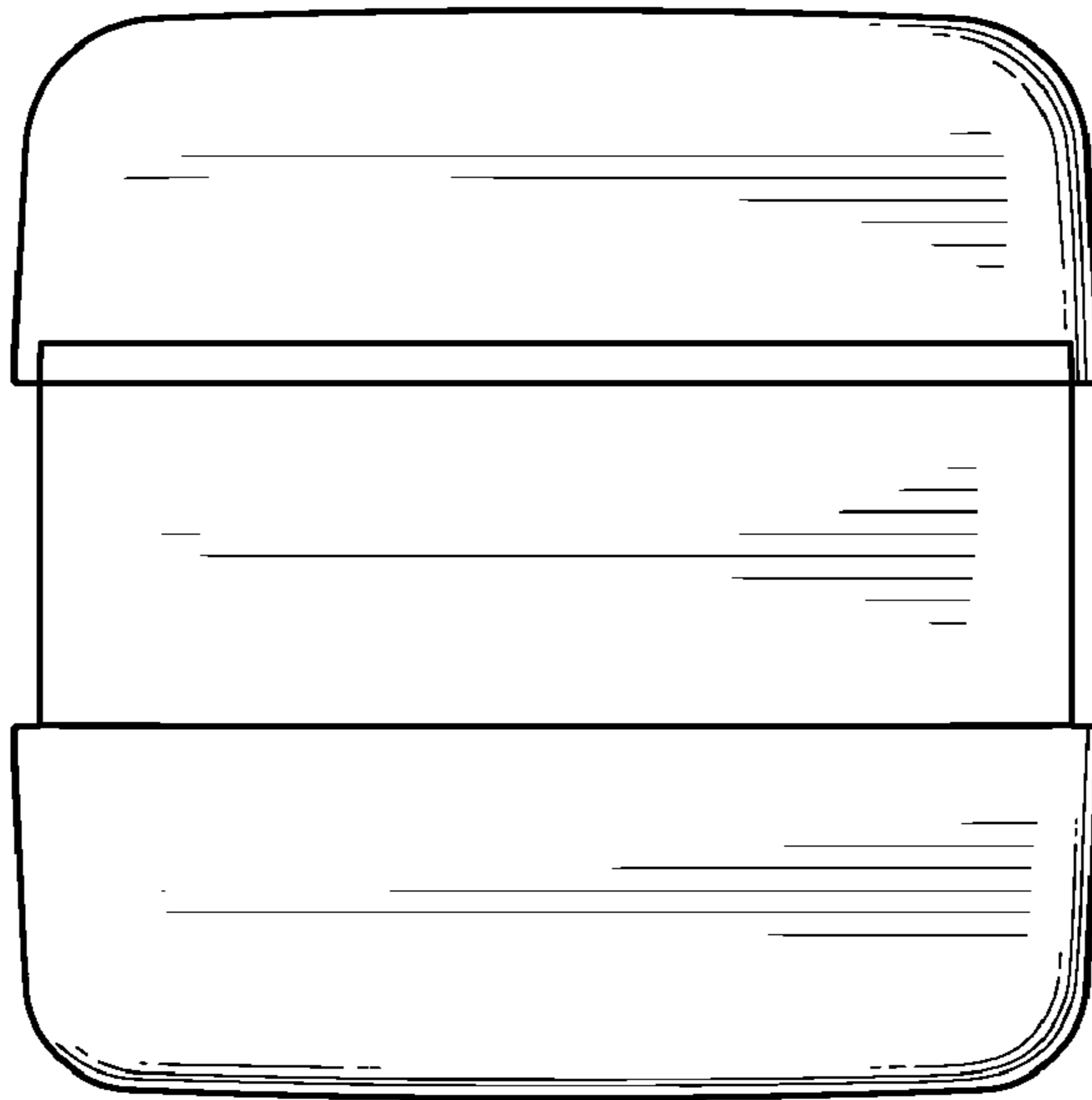


Fig. 6

