

US00D596724S

(12) **United States Design Patent**  
**Swartz**

(10) **Patent No.:** **US D596,724 S**

(45) **Date of Patent:** **\*\* Jul. 21, 2009**

(54) **IMMERSION APPARATUS FOR HEAT PRODUCTION**

(76) **Inventor:** **Mitchell R. Swartz**, 16 Pembroke Rd.,  
Weston, MA (US) 02493

(\*\*) **Term:** **14 Years**

(21) **Appl. No.:** **29/308,134**

(22) **Filed:** **May 30, 2008**

(51) **LOC (9) Cl.** ..... **23-03**

(52) **U.S. Cl.** ..... **D23/316**

(58) **Field of Classification Search** ..... D23/316,  
D23/322, 314; 392/322, 333

See application file for complete search history.

(56) **References Cited**

**U.S. PATENT DOCUMENTS**

D139,313 S \* 10/1944 Landerman ..... D23/323  
2,888,547 A \* 5/1959 Saper ..... 219/523

4,163,895 A \* 8/1979 Hauser et al. .... 392/333

D266,414 S \* 10/1982 Brent ..... D23/417

D330,936 S \* 11/1992 Dieterle et al. .... D23/419

D413,659 S 9/1999 Swartz

D480,460 S \* 10/2003 Priestman ..... D23/330

\* cited by examiner

*Primary Examiner*—T. Chase Nelson

*Assistant Examiner*—Ania K Dworzecka

(57) **CLAIM**

The ornamental design for an immersion apparatus for heat production, as shown.

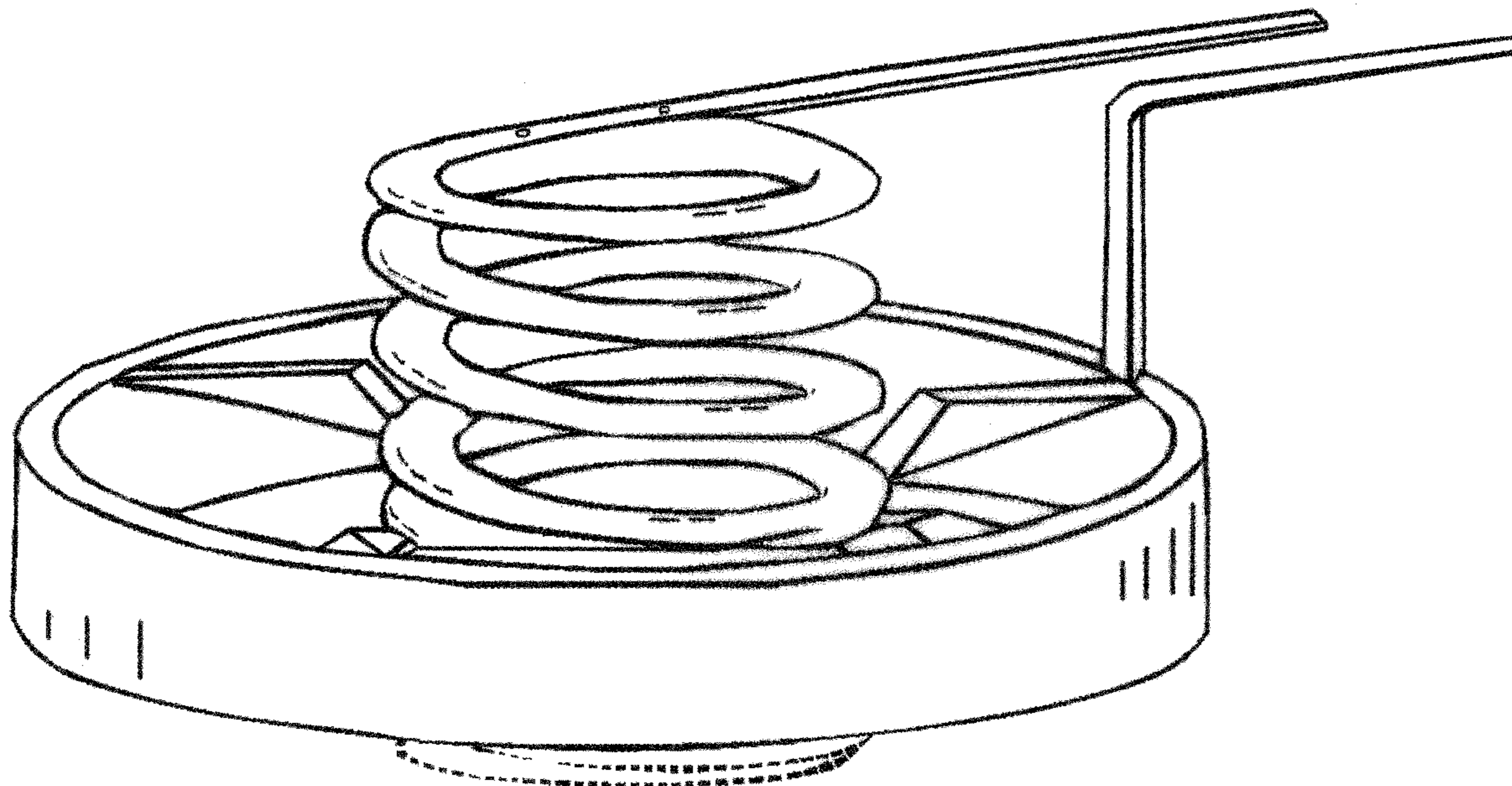
**DESCRIPTION**

FIG. 1 is an isometric front view of a design for an immersion apparatus for heat production;

FIG. 2 is a top plan view; and,

FIG. 3 is a bottom plan view.

**1 Claim, 3 Drawing Sheets**



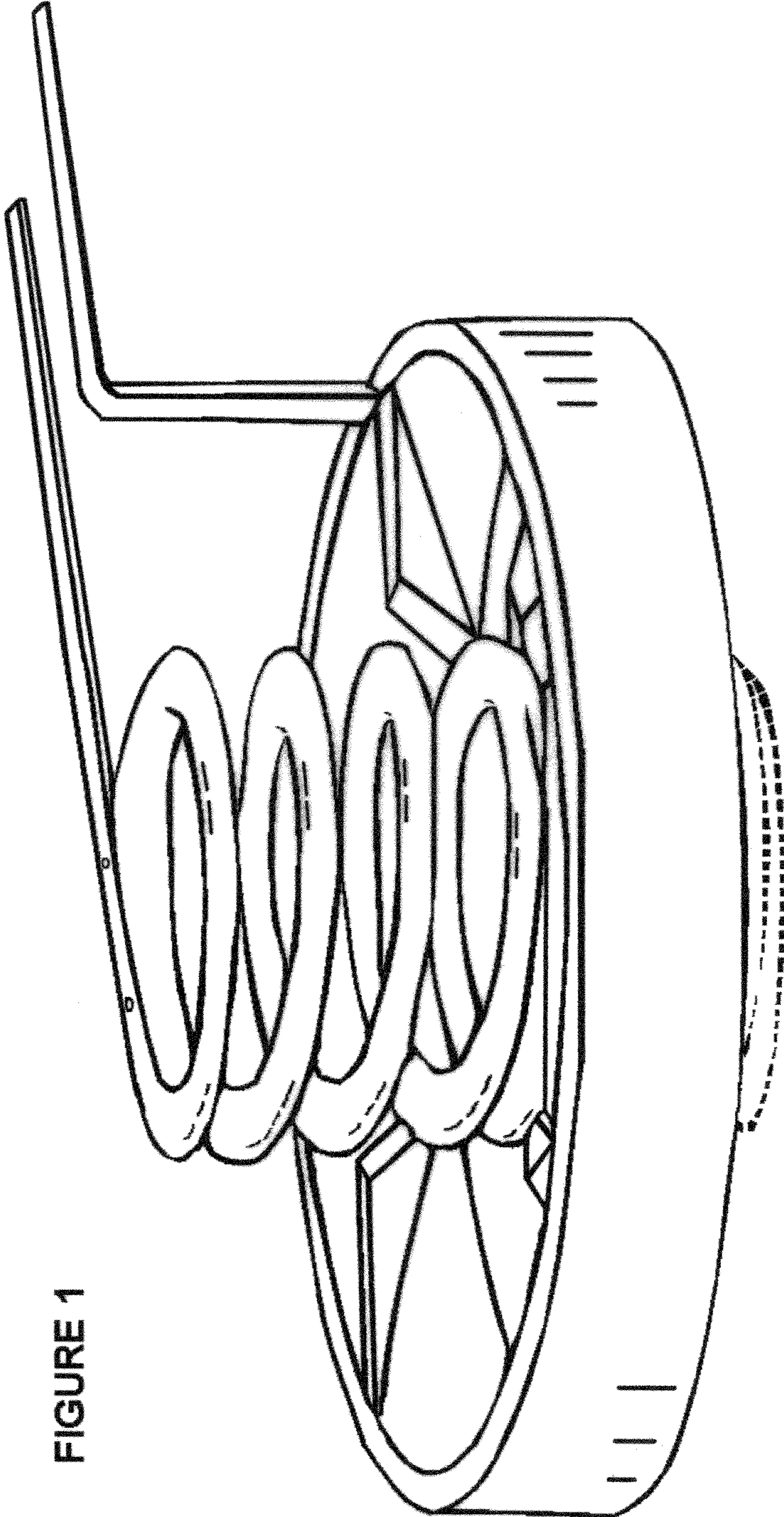


FIGURE 1

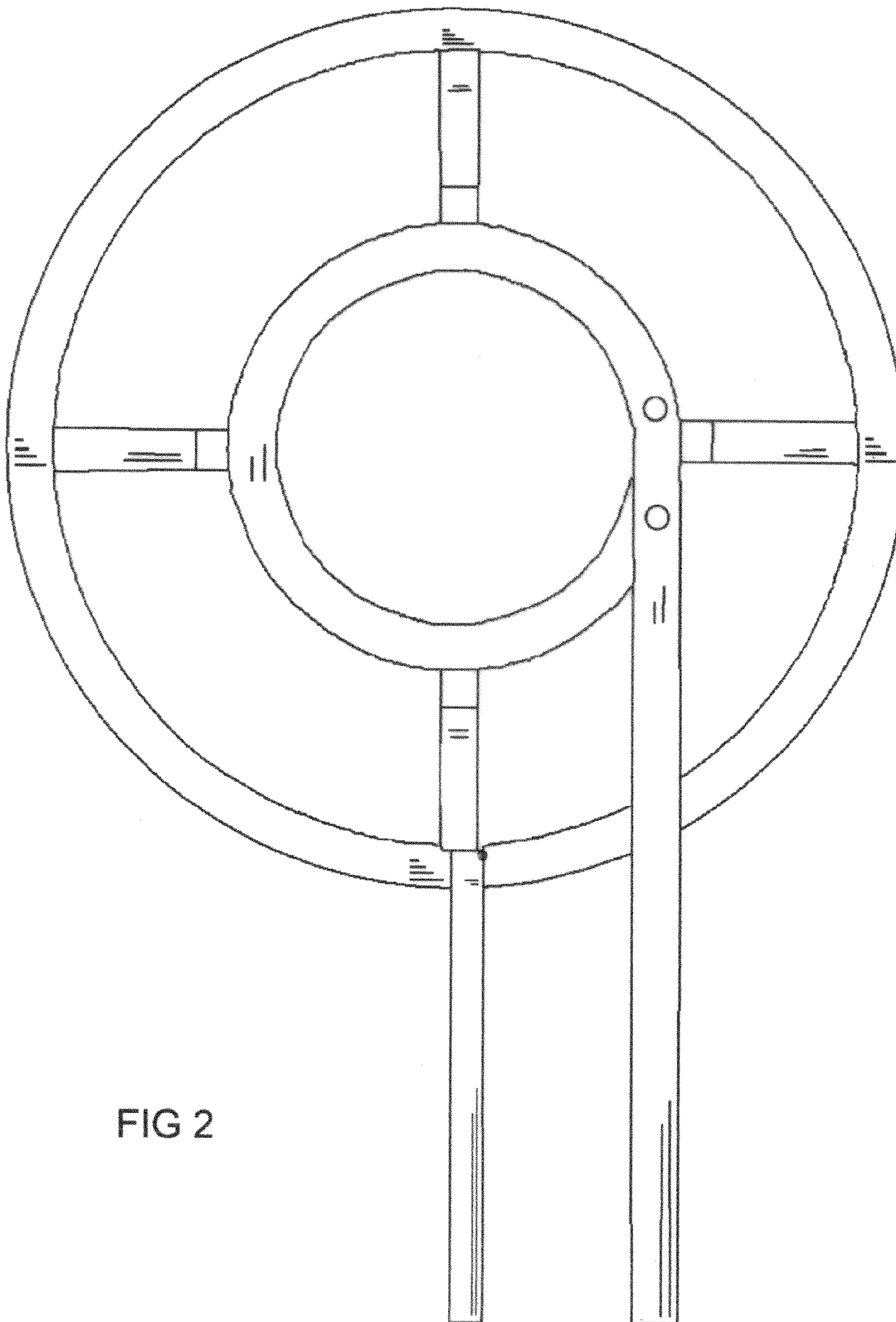


FIG 2

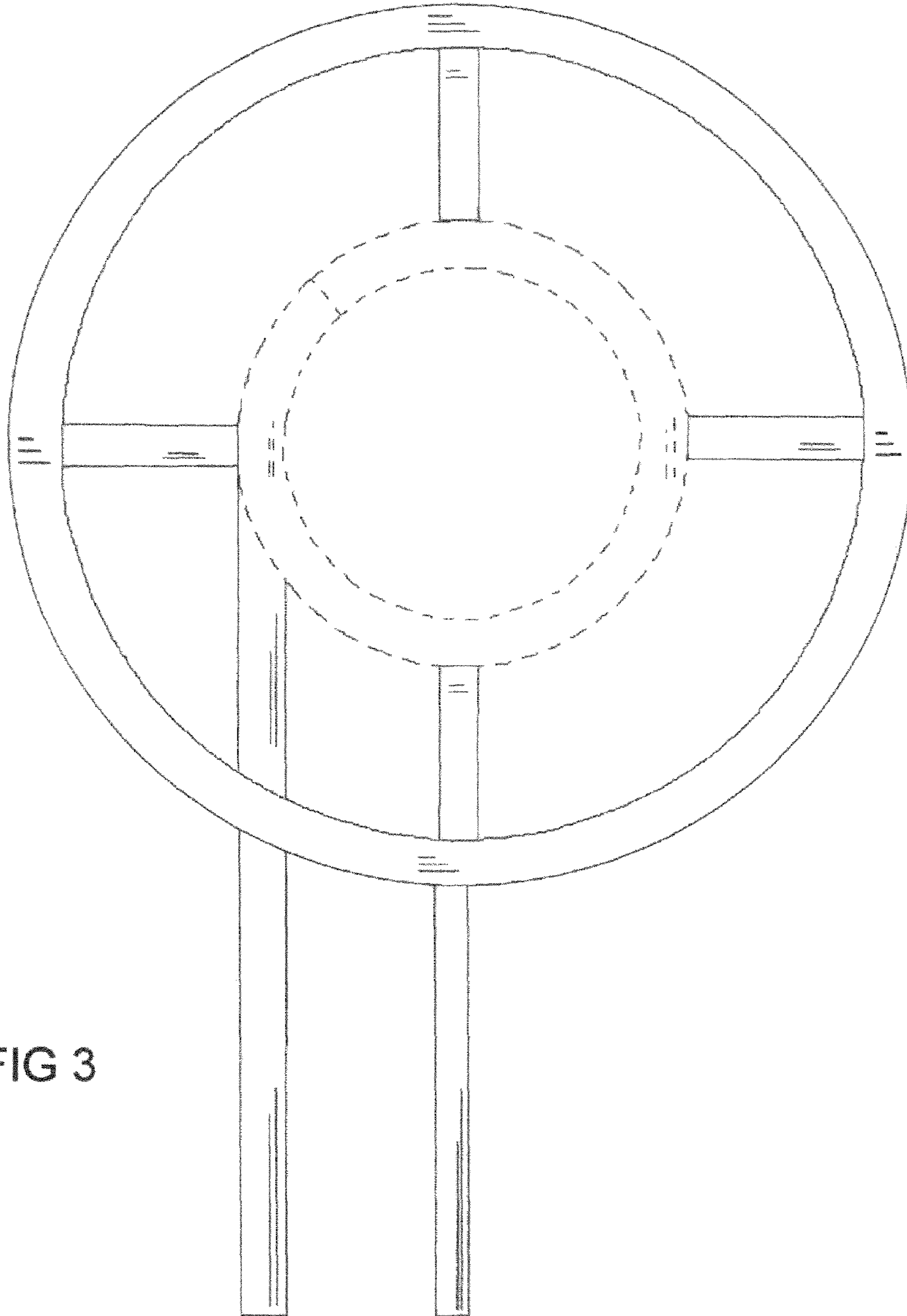


FIG 3