



US00D596722S

(12) **United States Design Patent**
Hisey

(10) **Patent No.:** **US D596,722 S**
(45) **Date of Patent:** **** Jul. 21, 2009**

(54) **SHOWER BASE**

(75) Inventor: **Christopher B. Hisey**, Plymouth, WI (US)

(73) Assignee: **Kohler Co.**, Kohler, WI (US)

(**) Term: **14 Years**

(21) Appl. No.: **29/303,133**

(22) Filed: **Feb. 1, 2008**

(51) **LOC (9) Cl.** **23-02**

(52) **U.S. Cl.** **D23/304**

(58) **Field of Classification Search** D23/275,
D23/273, 279, 283, 303–306; 4/552, 556–557,
4/596–597, 607, 610, 900

See application file for complete search history.

(56) **References Cited**

U.S. PATENT DOCUMENTS

D196,290 S *	9/1963	King	D23/283
D351,019 S *	9/1994	Moore et al.	D23/283
D541,913 S *	5/2007	Piatt	D23/304

OTHER PUBLICATIONS

Duravit. Technical Drawings for Shower Tray, Duravit online catalog.
Duravit. "Shower Tray", Model No. 720048. Duravit online catalog.
Kohler Co. "Purist Receptor", Model No. K-9026-96 and K9026-96/K-9027-NA, Kohler.com online catalog, Copyright 2007 Kohler Co.
Kohler Co. "Memoirs Shower Receptor", Model No. K-9568. Kohler.com online catalog. Copyright 2007 Kohler Co.
Duravit, "Bath Tub", Duravit online catalog.

* cited by examiner

Primary Examiner—Robert A Delehanty
(74) *Attorney, Agent, or Firm*—Quarles & Brady LLP

(57) **CLAIM**

The ornamental design for a shower base as shown and described.

DESCRIPTION

In a preferred embodiment, the nature of this product is as a shower receptor for a shower plumbing fixture.

FIG. 1 is a top, right, front perspective view of a shower base of my new design;

FIG. 2 is a top plan view thereof;

FIG. 3 is a front elevational view thereof;

FIG. 4 is a right side elevational view thereof, the left side elevational view thereof being a mirror image of the right side shown;

FIG. 5 is a rear elevational view thereof;

FIG. 6 is a bottom plan view thereof;

FIG. 7 is a side sectional view taken along line 7–7 of FIG. 2;

FIG. 8 is a top, right, front perspective view of a shower base according to another embodiment of my new design;

FIG. 9 is a top plan view thereof;

FIG. 10 is a front elevational view thereof;

FIG. 11 is a right side elevational view thereof, the left side elevational view thereof being a mirror image of the right side shown;

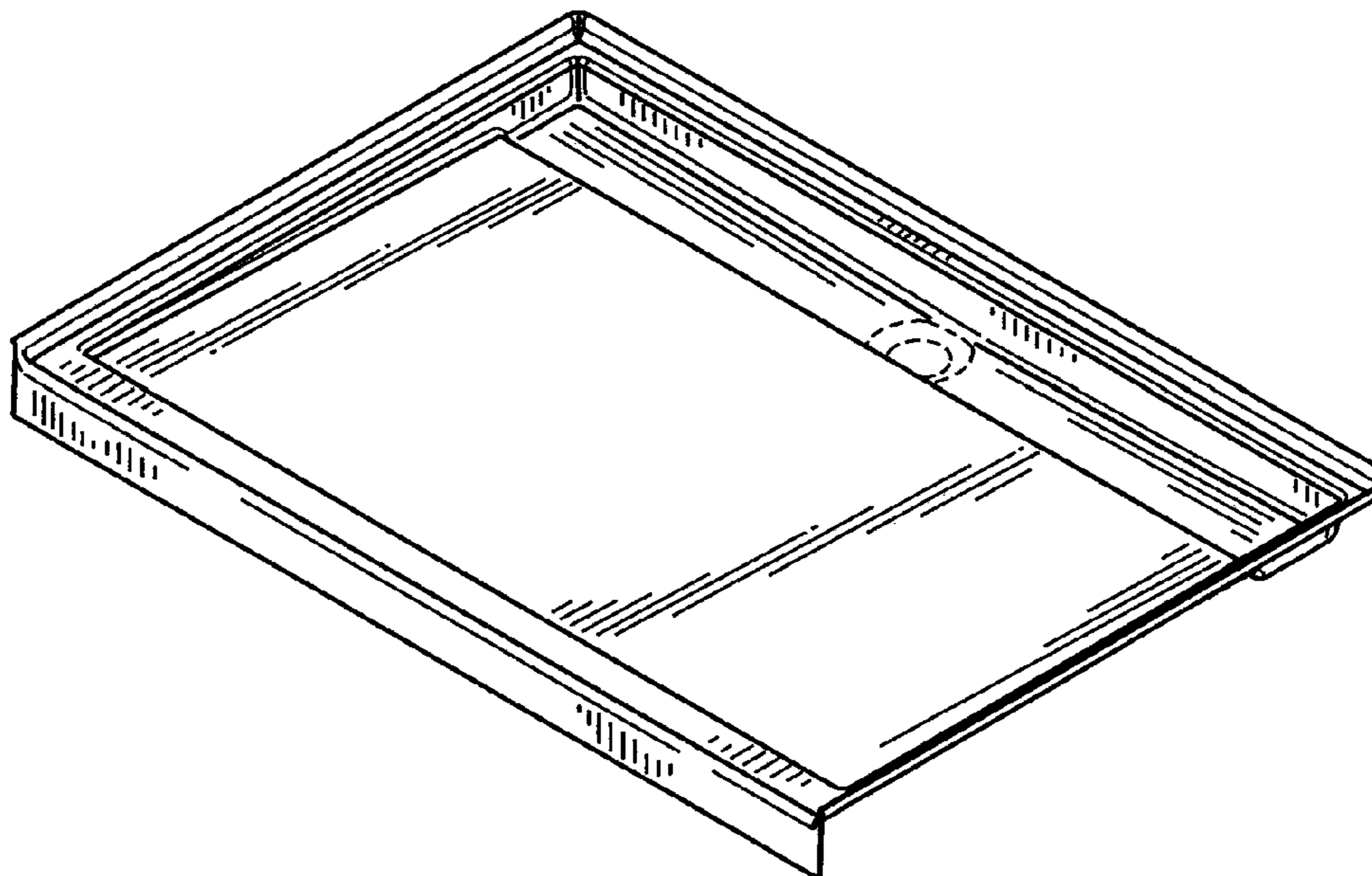
FIG. 12 is a rear elevational view thereof;

FIG. 13 is a bottom plan view thereof; and,

FIG. 14 is a side sectional view taken along line 14–14 of FIG. 9.

The broken line representations in the figures are for the purpose of illustration only, and form no part of the claimed design.

1 Claim, 6 Drawing Sheets



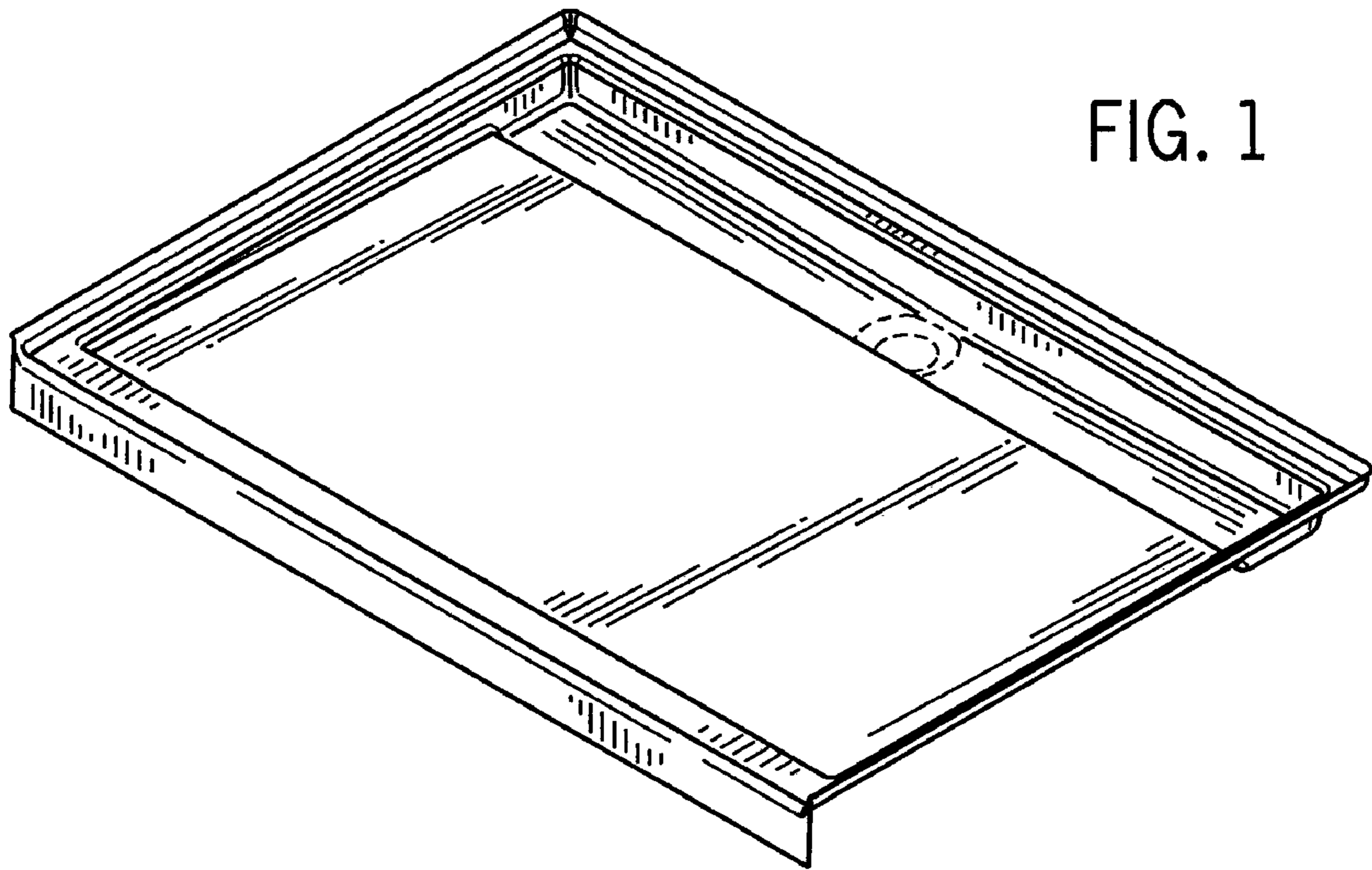


FIG. 1

FIG. 2

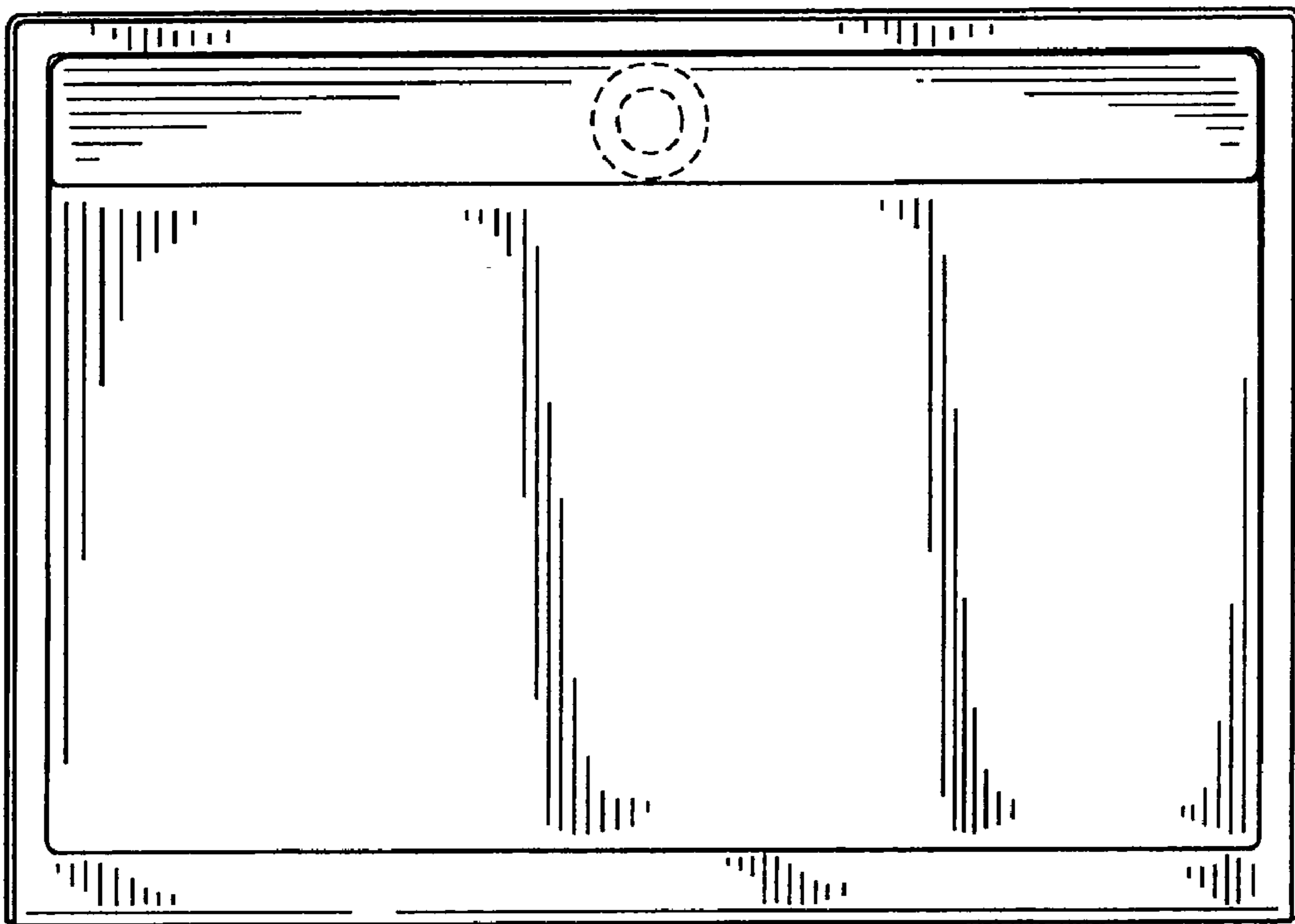
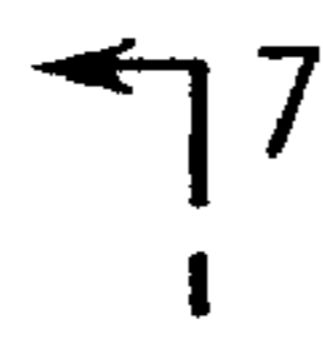


FIG. 3

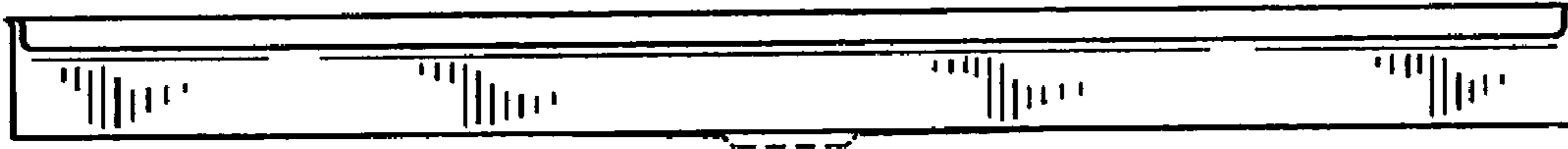


FIG. 4

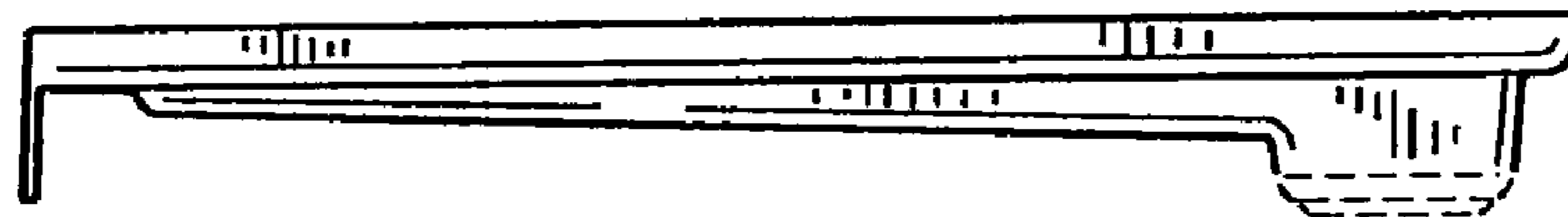


FIG. 5

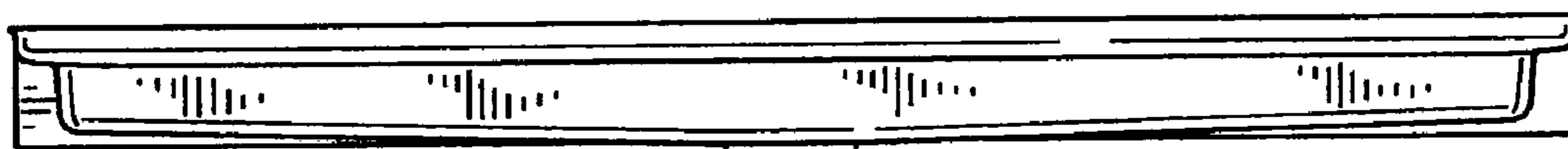


FIG. 6

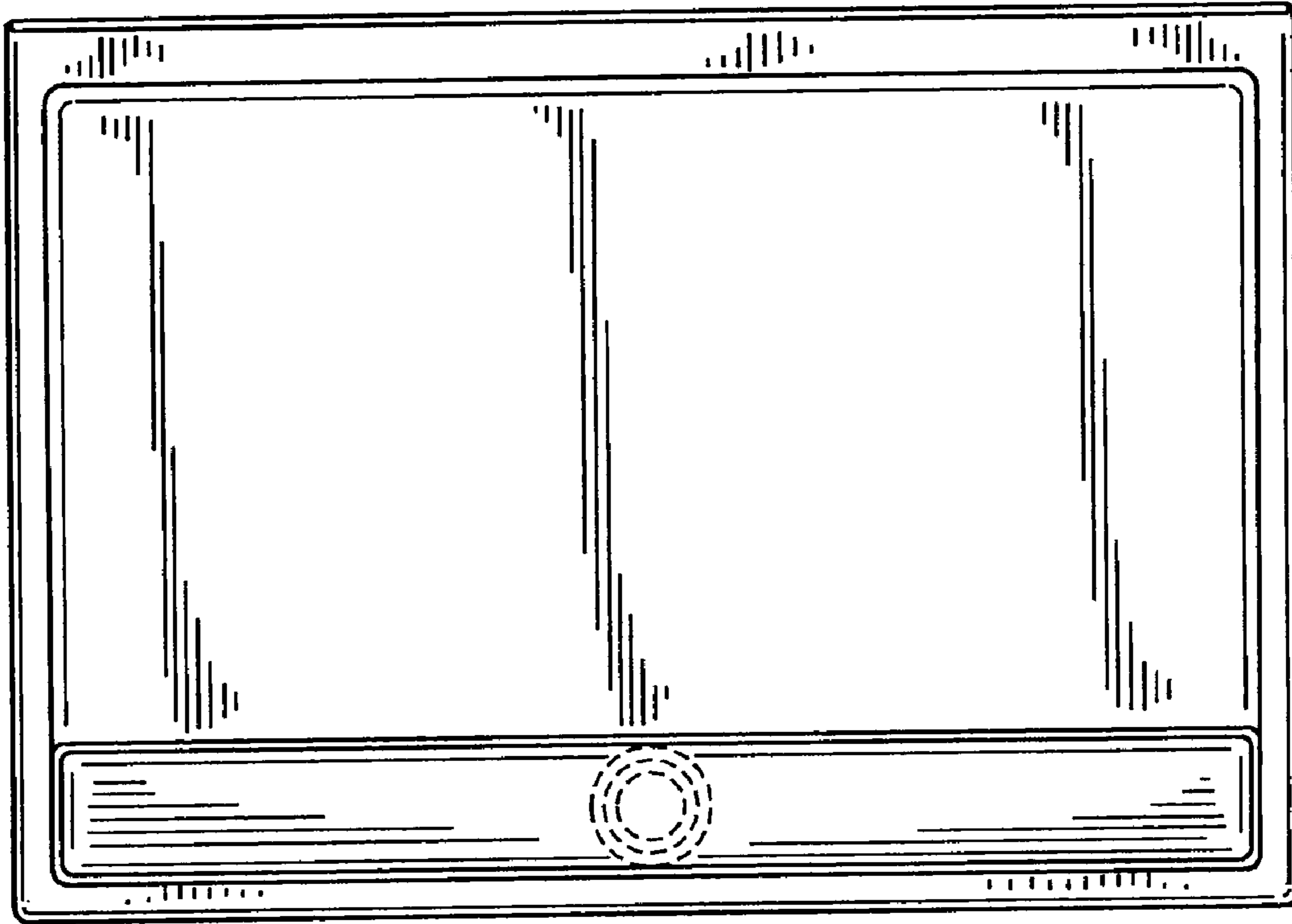


FIG. 7

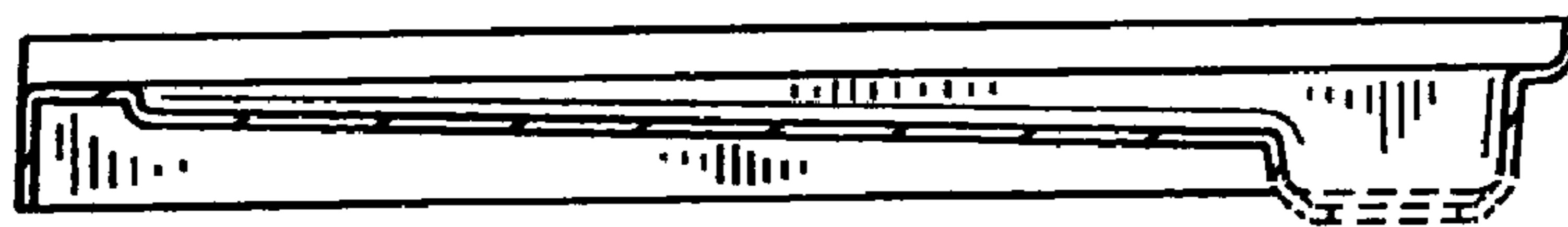


FIG. 8

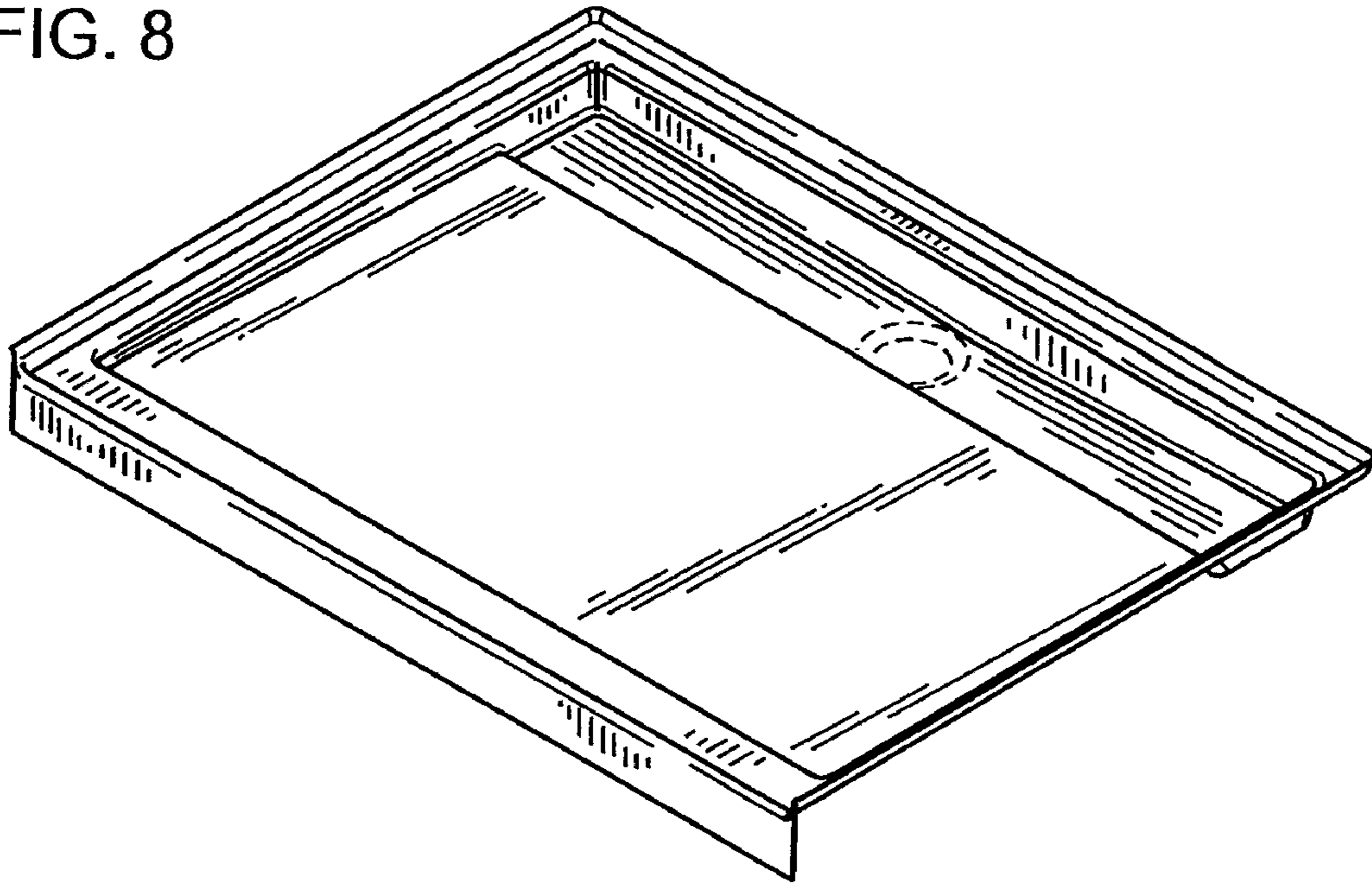


FIG. 9

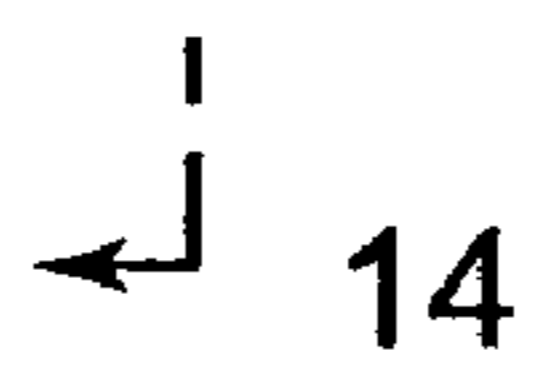
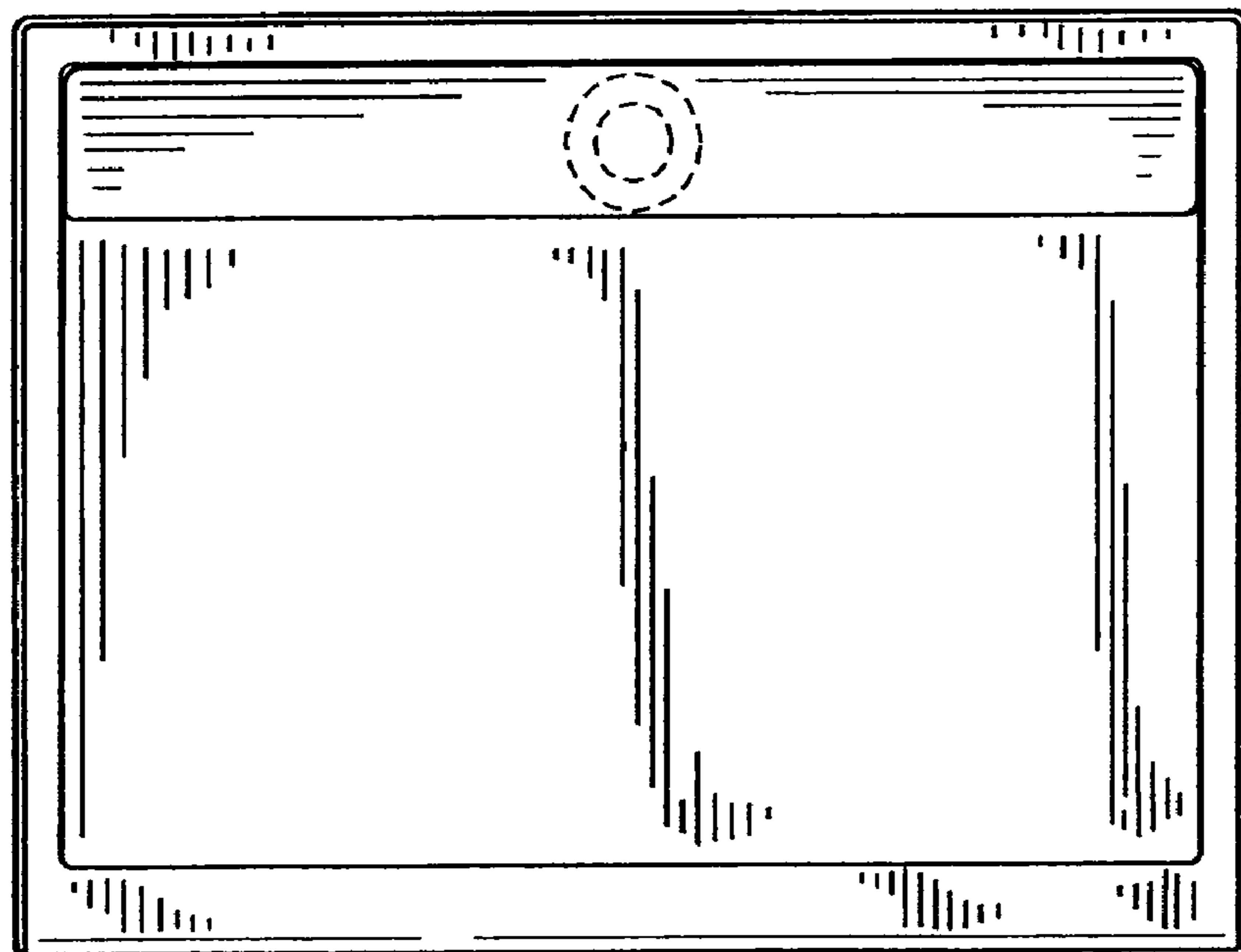
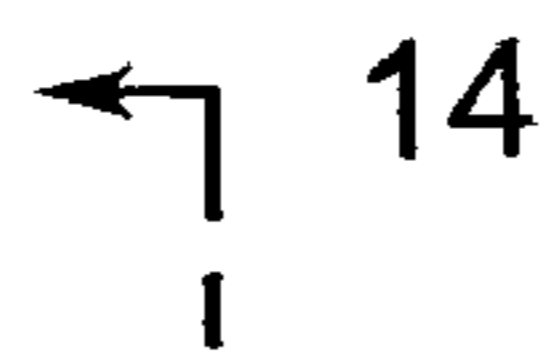


FIG. 10

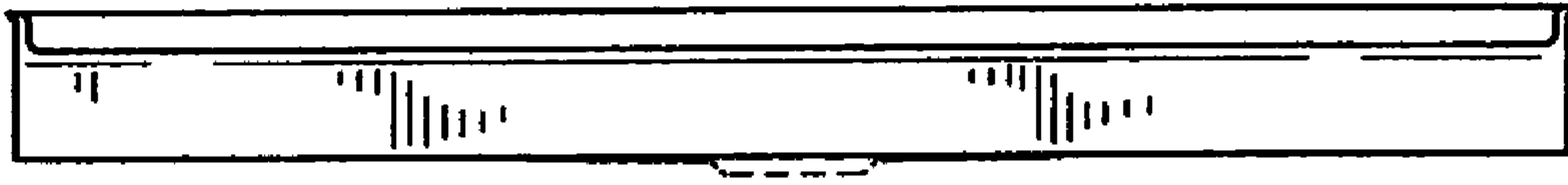


FIG. 11

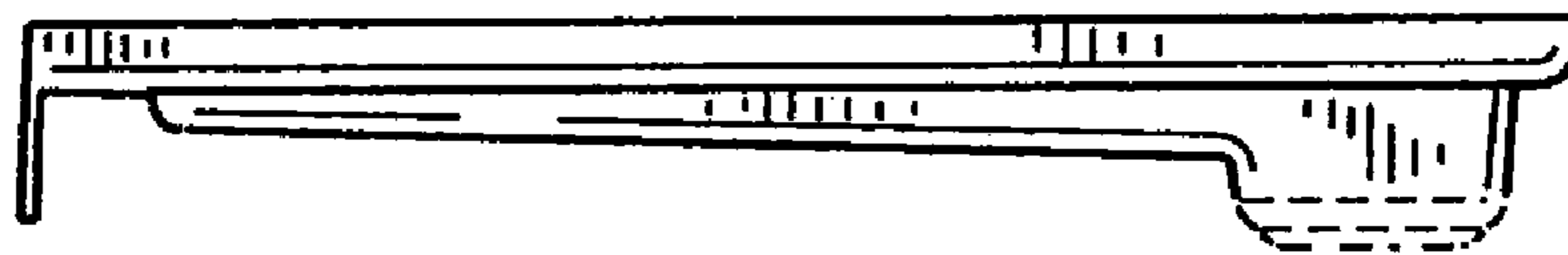


FIG. 12

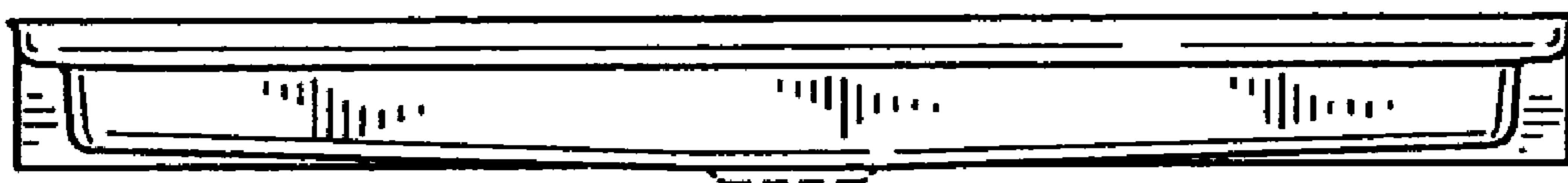


FIG. 13

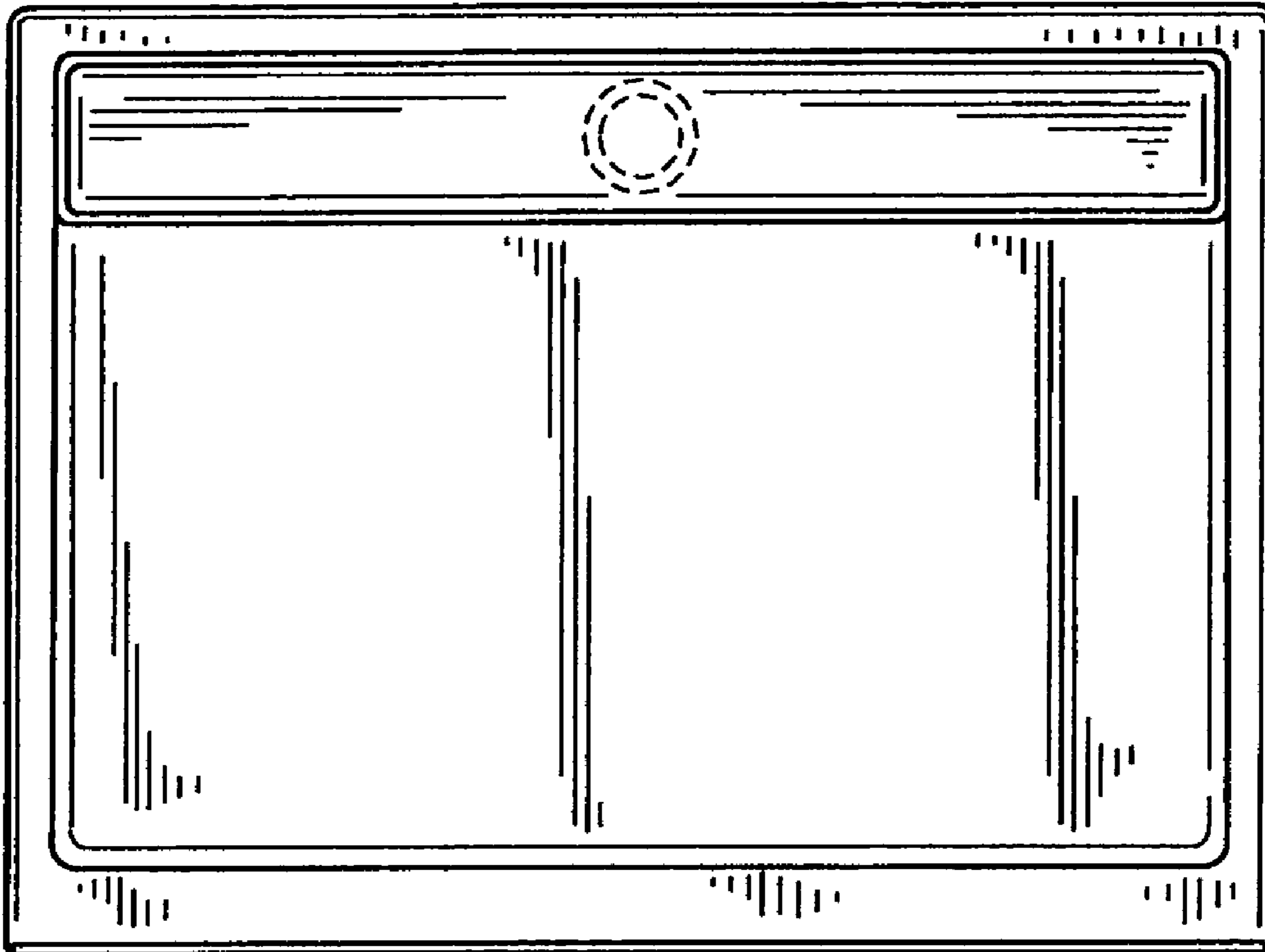


FIG. 14

