



US00D596721S

(12) **United States Design Patent**
Hisey

(10) **Patent No.:** **US D596,721 S**

(45) **Date of Patent:** **** Jul. 21, 2009**

(54) **SHOWER BASE**

(75) Inventor: **Christopher B. Hisey**, Plymouth, WI
(US)

(73) Assignee: **Kohler Co.**, Kohler, WI (US)

(**) Term: **14 Years**

(21) Appl. No.: **29/303,129**

(22) Filed: **Feb. 1, 2008**

(51) **LOC (9) Cl.** **23-02**

(52) **U.S. Cl.** **D23/304**

(58) **Field of Classification Search** D23/275,
D23/273, 279, 283, 303–306; 4/552, 556–557,
4/596–597, 607, 610, 900

See application file for complete search history.

(56) **References Cited**

U.S. PATENT DOCUMENTS

D196,290 S *	9/1963	King	D23/283
D351,019 S *	9/1994	Moore et al.	D23/283
D404,476 S	1/1999	Formgren		
D495,039 S	8/2004	Piatt		
D504,497 S	4/2005	Piatt		
D506,535 S	6/2005	Piatt		
D541,913 S *	5/2007	Piatt	D23/304
2006/0191067 A1	8/2006	Sadler		

OTHER PUBLICATIONS

Duravit. "Shower Tray". Model No.: 2nd Floor 720043. Duravit online catalog.

Duravit. "Bath Tub". Duravit online catalog.

Kohler Co. "Purist Receptor". Model No.: K-9026-96 and K9026-96/K-9027-NA. Kohler.com online catalog.

* cited by examiner

Primary Examiner—Robert A. Delehanty

(74) *Attorney, Agent, or Firm*—Quarles & Brady LLP

(57) **CLAIM**

The ornamental design for a shower base, as shown and described.

DESCRIPTION

In a preferred embodiment, the nature of this product is as a shower receptor for a shower plumbing fixture.

FIG. 1 is a top, right, front perspective view of a shower base of my new design;

FIG. 2 is a top plan view thereof;

FIG. 3 is a front elevational view thereof;

FIG. 4 is a right side elevational view thereof;

FIG. 5 is a left side elevational view thereof;

FIG. 6 is a rear elevational view thereof;

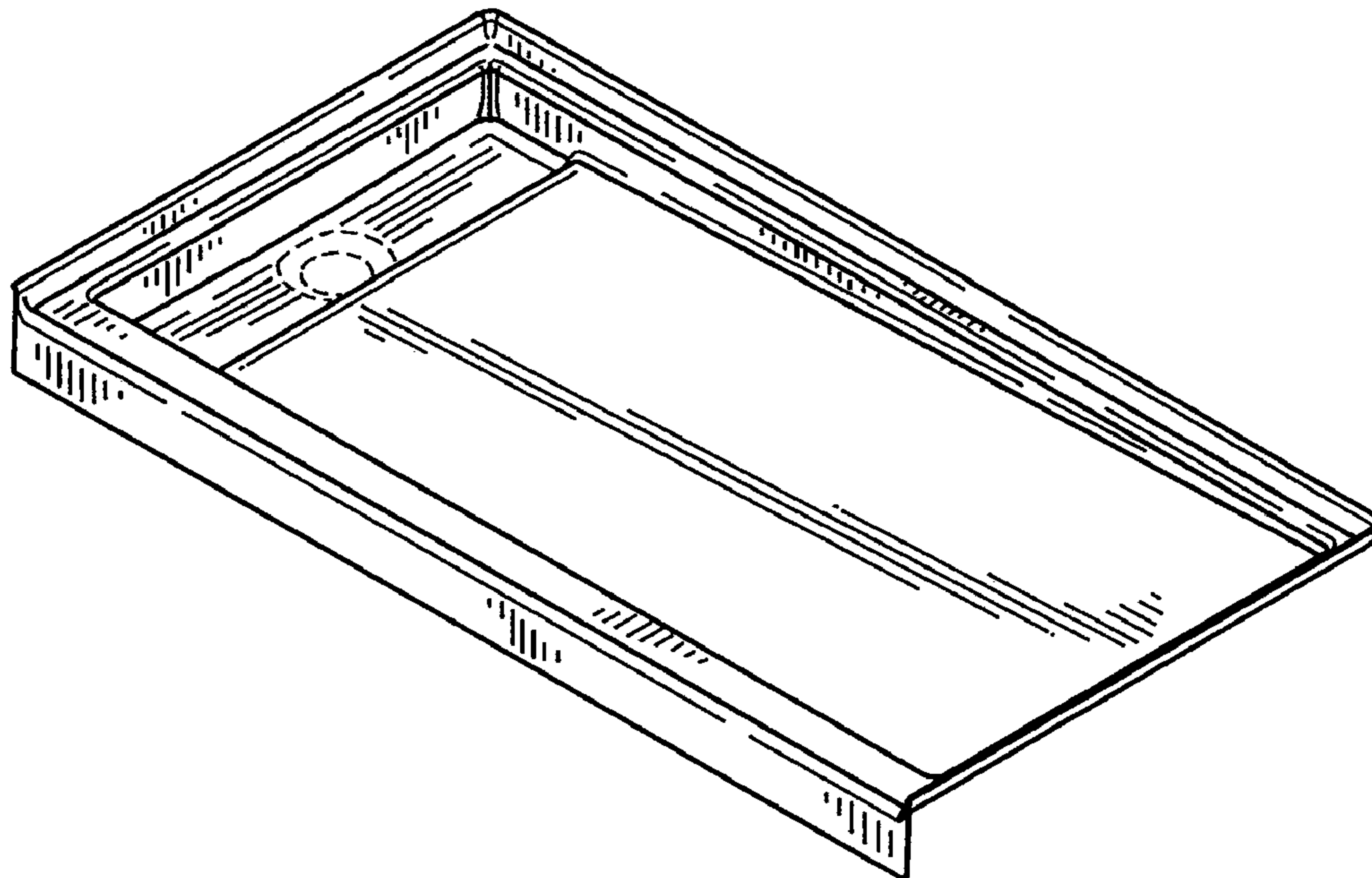
FIG. 7 is a bottom plan view thereof;

FIG. 8 is a front sectional view taken along line 8—8 of FIG. 2; and,

FIG. 9 is a top, left, front perspective view of a shower base according to another embodiment, the other views of which are mirror images of the respective views shown in FIGS. 2–8.

The broken line representations in the figures are for the purpose of illustration only, and form no part of the claimed design.

1 Claim, 3 Drawing Sheets



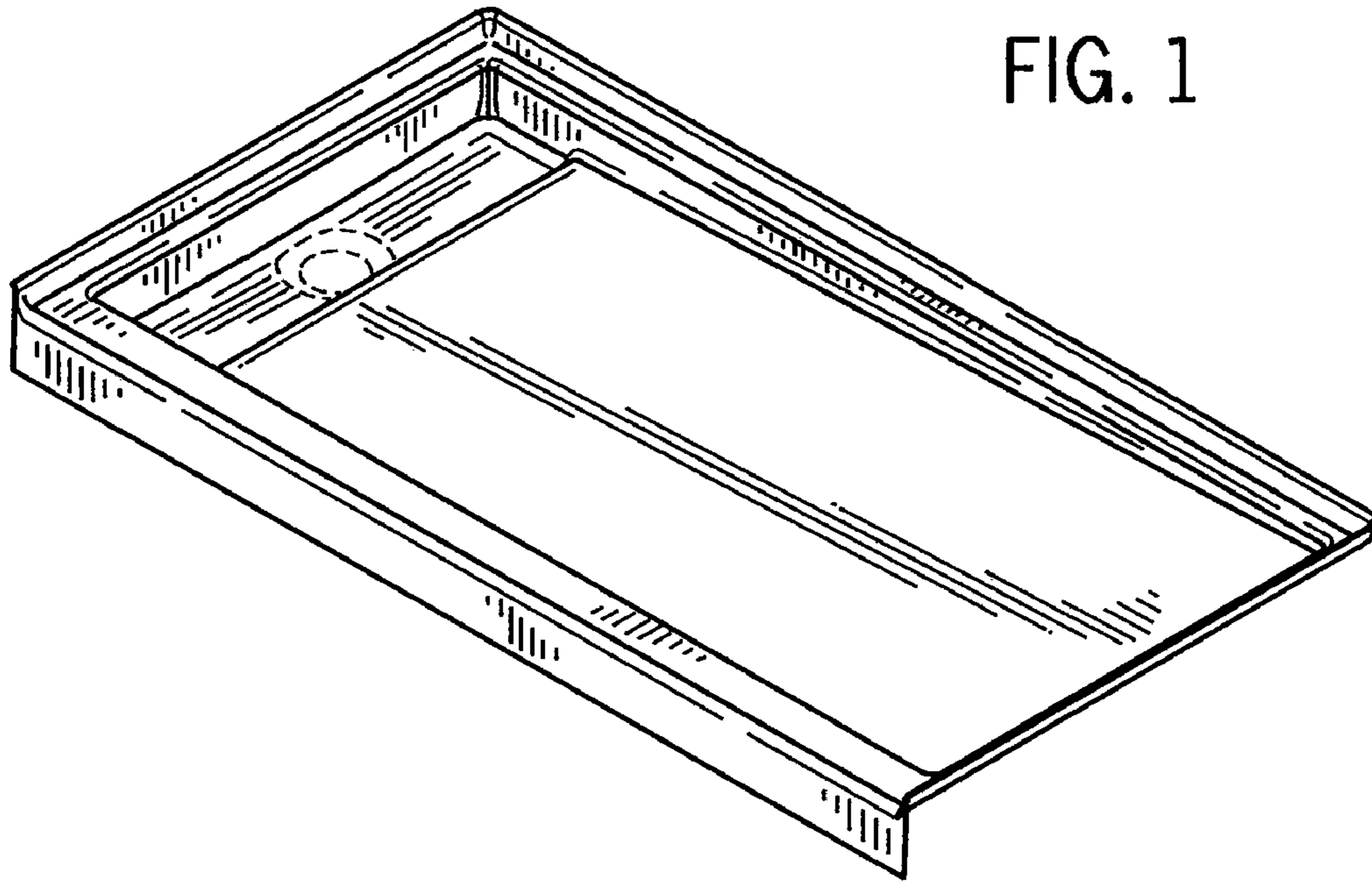


FIG. 2

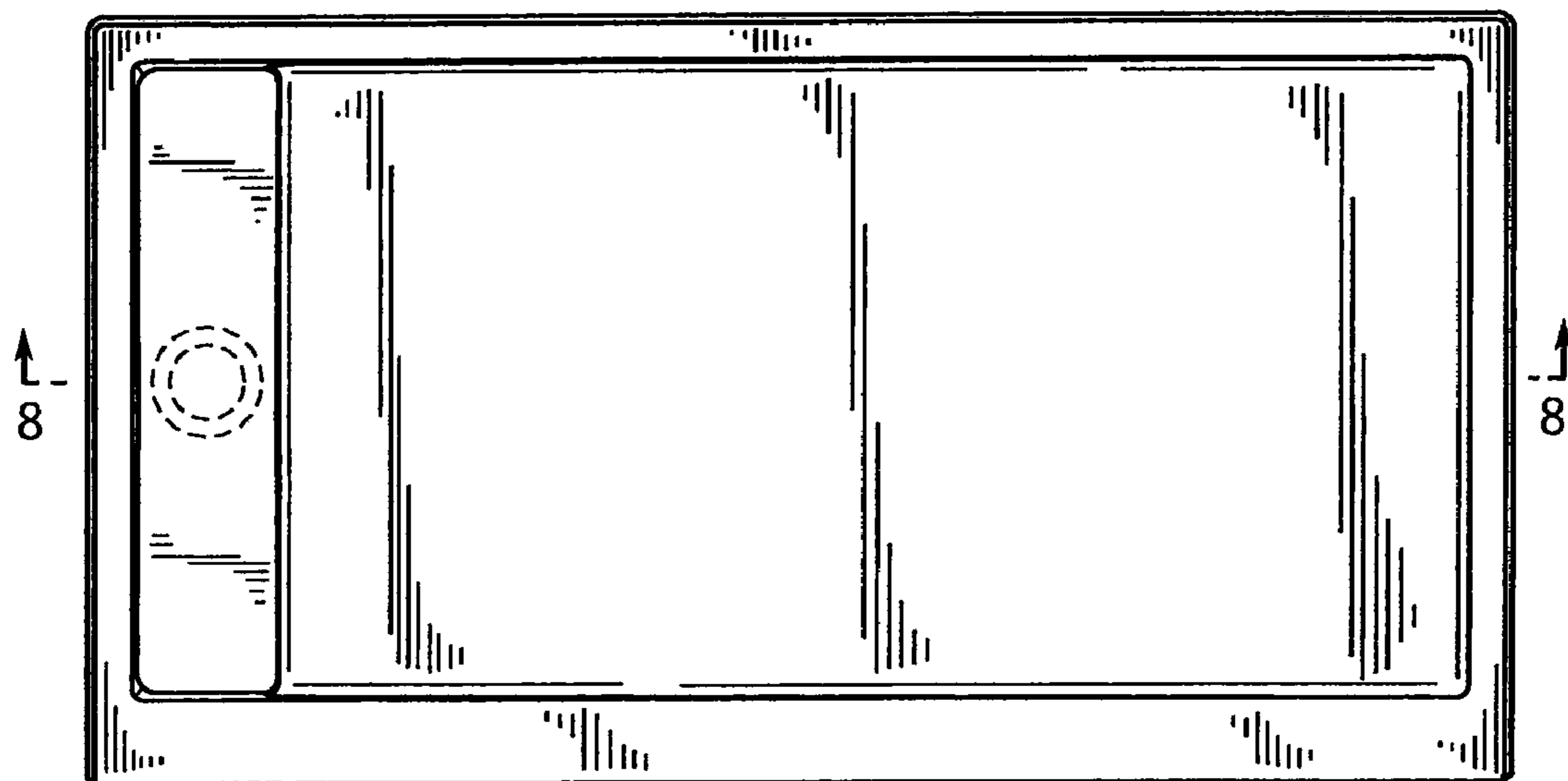


FIG. 3

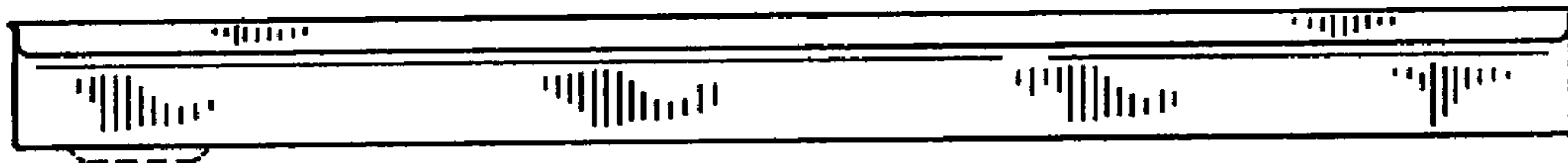


FIG. 4

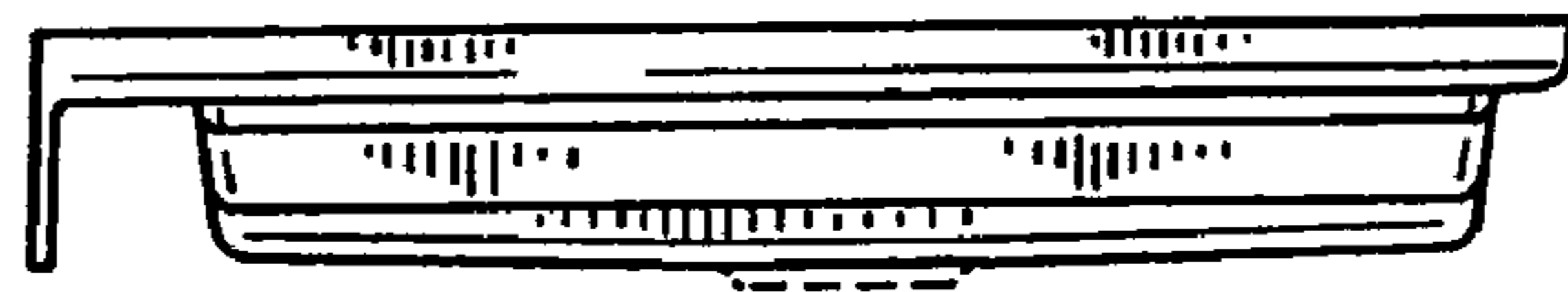


FIG. 5

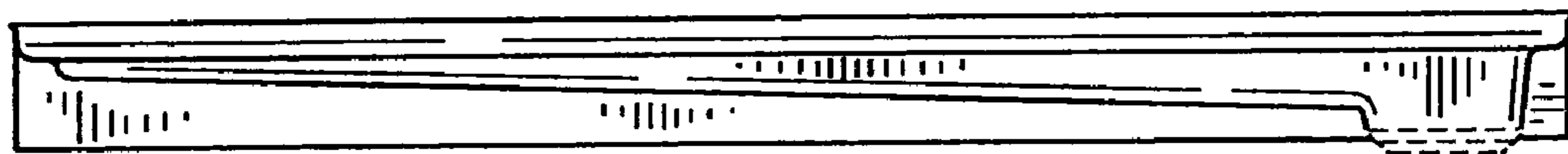
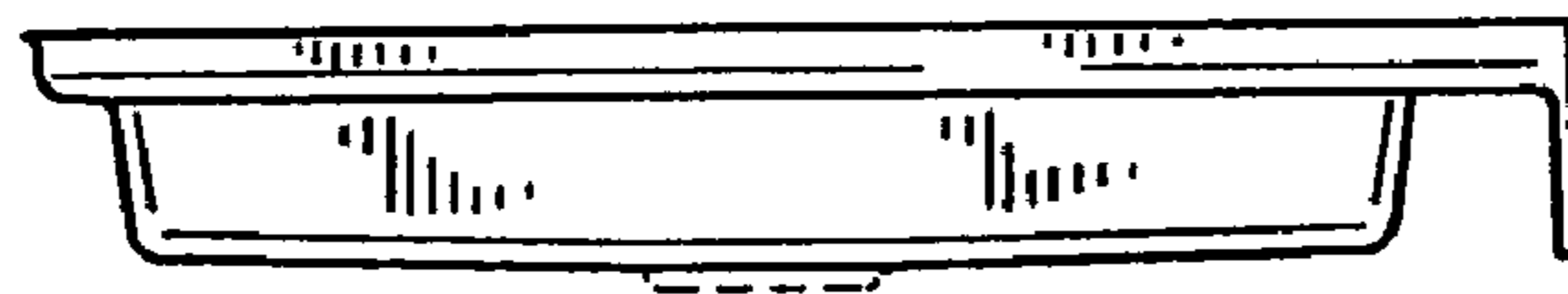


FIG. 6

FIG. 7

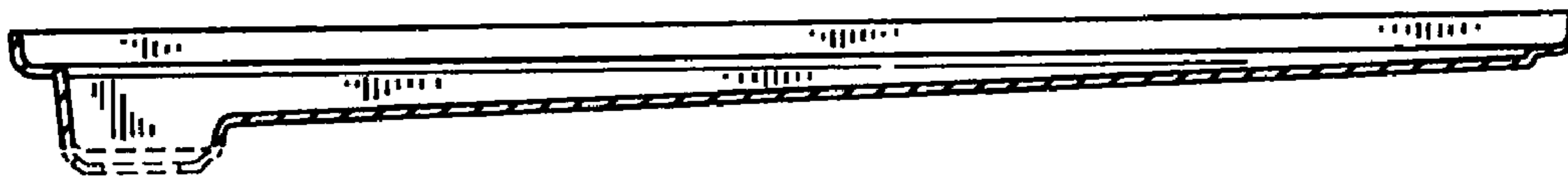
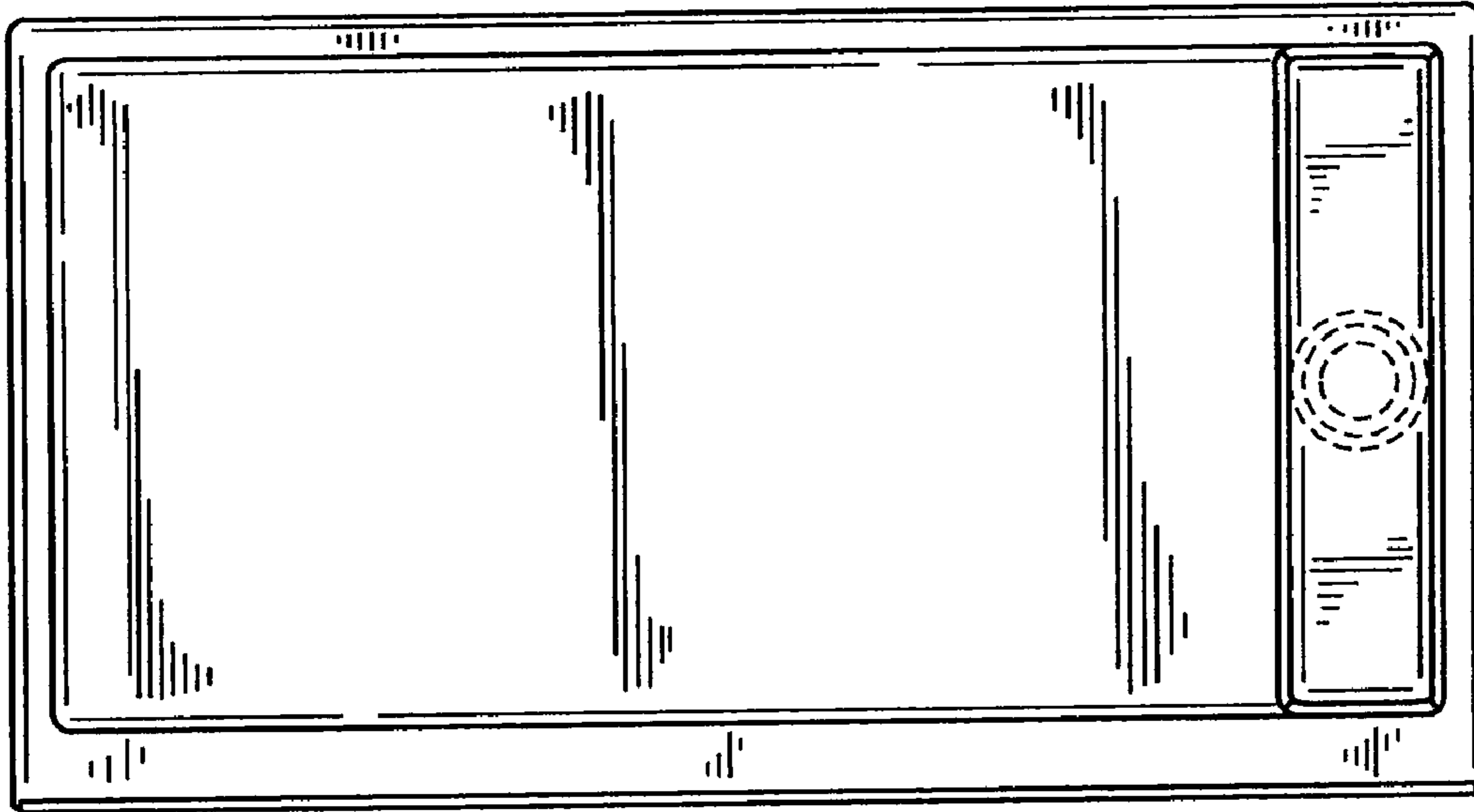


FIG. 8

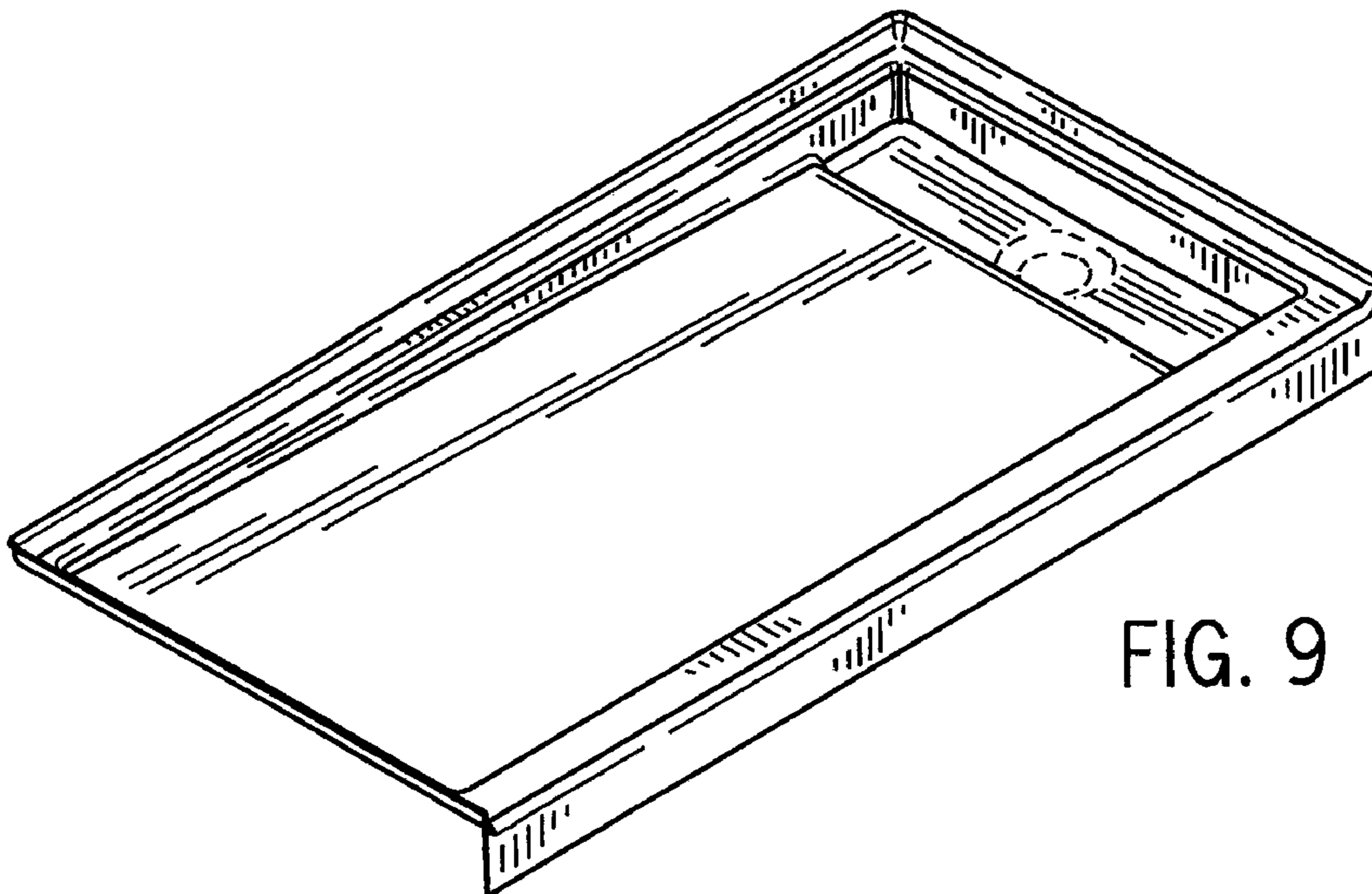


FIG. 9