

US00D596719S

(12) **United States Design Patent**
Chen

(10) **Patent No.:** **US D596,719 S**
(45) **Date of Patent:** **** Jul. 21, 2009**

(54) **DISHED LAVATORY TOP**

D560,777 S * 1/2008 Hanna et al. D23/293.1
D563,533 S * 3/2008 Kakihana et al. D23/293.1

(75) Inventor: **Yong Chen**, Jiangyin (CN)

(73) Assignee: **Ronbow Materials Corporation**,
Newark, CA (US)

* cited by examiner

Primary Examiner—Robert A Delehanty

(74) *Attorney, Agent, or Firm*—Joseph L. Strabala

(**) Term: **14 Years**

(21) Appl. No.: **29/283,924**

(57) **CLAIM**

(22) Filed: **Aug. 27, 2007**

I claim the ornamental design for a dished lavatory top, as shown and described.

(51) **LOC (9) Cl.** **23-02**

(52) **U.S. Cl.** **D23/284**

(58) **Field of Classification Search** D23/284,
D23/291–293.1, 303, 308; 4/630, 631, 637,
4/638, 661

See application file for complete search history.

DESCRIPTION

FIG. 1 is a top front perspective view of the dished lavatory top.

FIG. 2 is a front elevation view thereof.

FIG. 3 is a rear elevation view thereof; and,

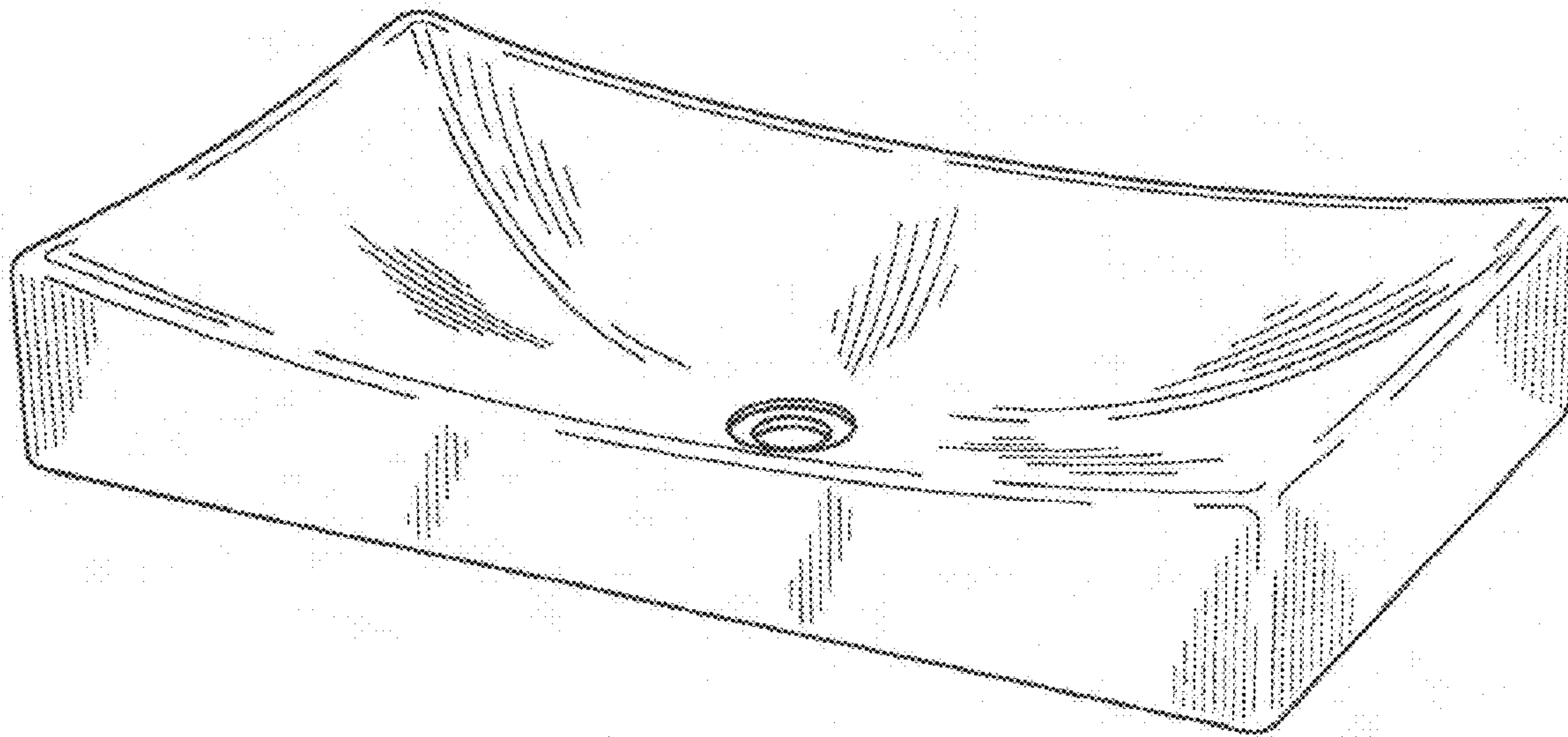
FIG. 4 is a top plan view thereof.

(56) **References Cited**

U.S. PATENT DOCUMENTS

D545,414 S * 6/2007 Maruhashi et al. D23/293.1

1 Claim, 2 Drawing Sheets



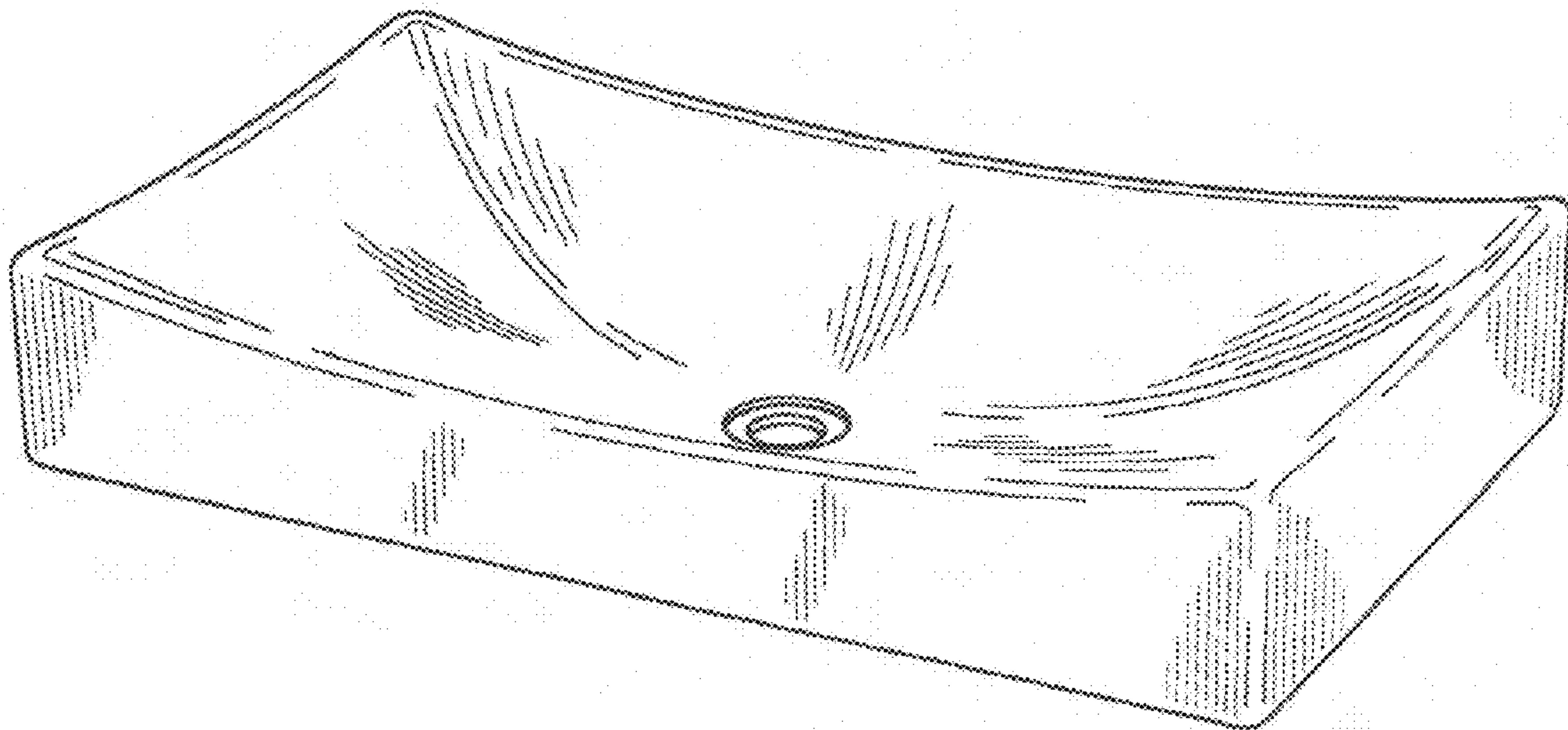


FIG. 1

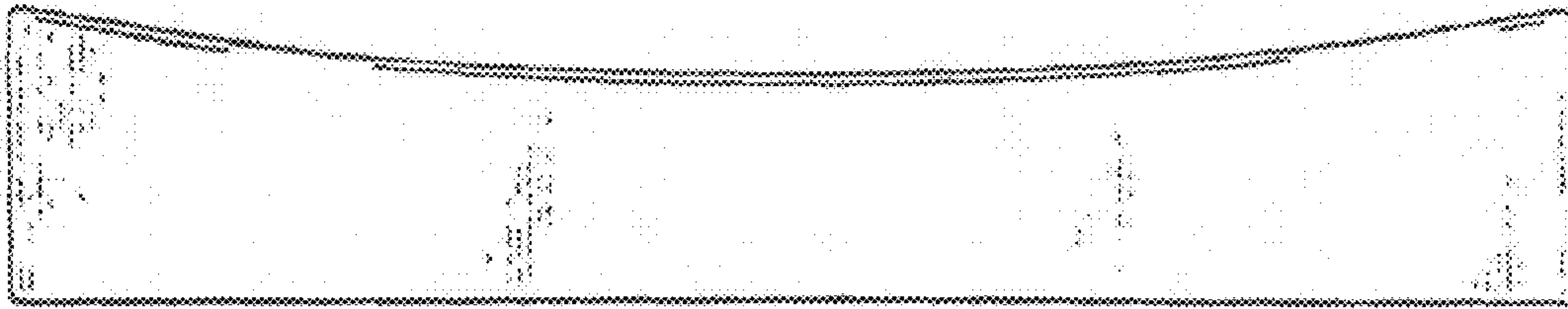


FIG. 2

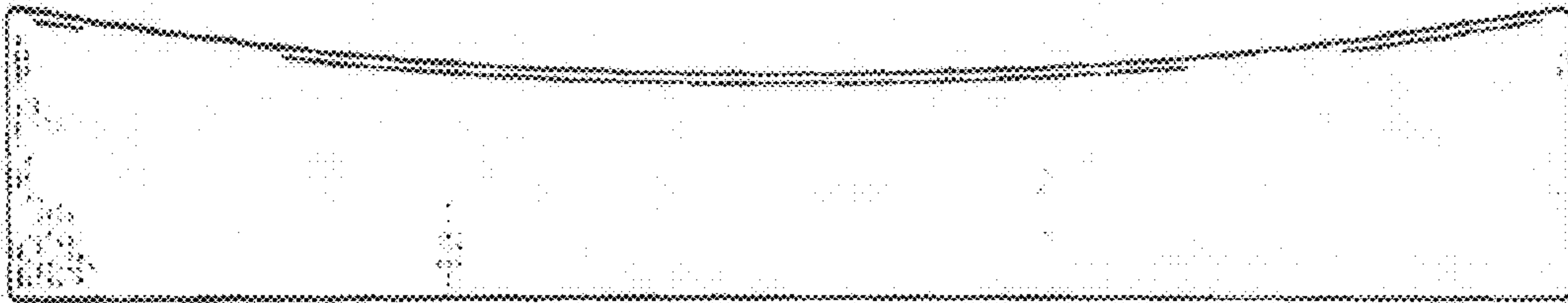


FIG. 3

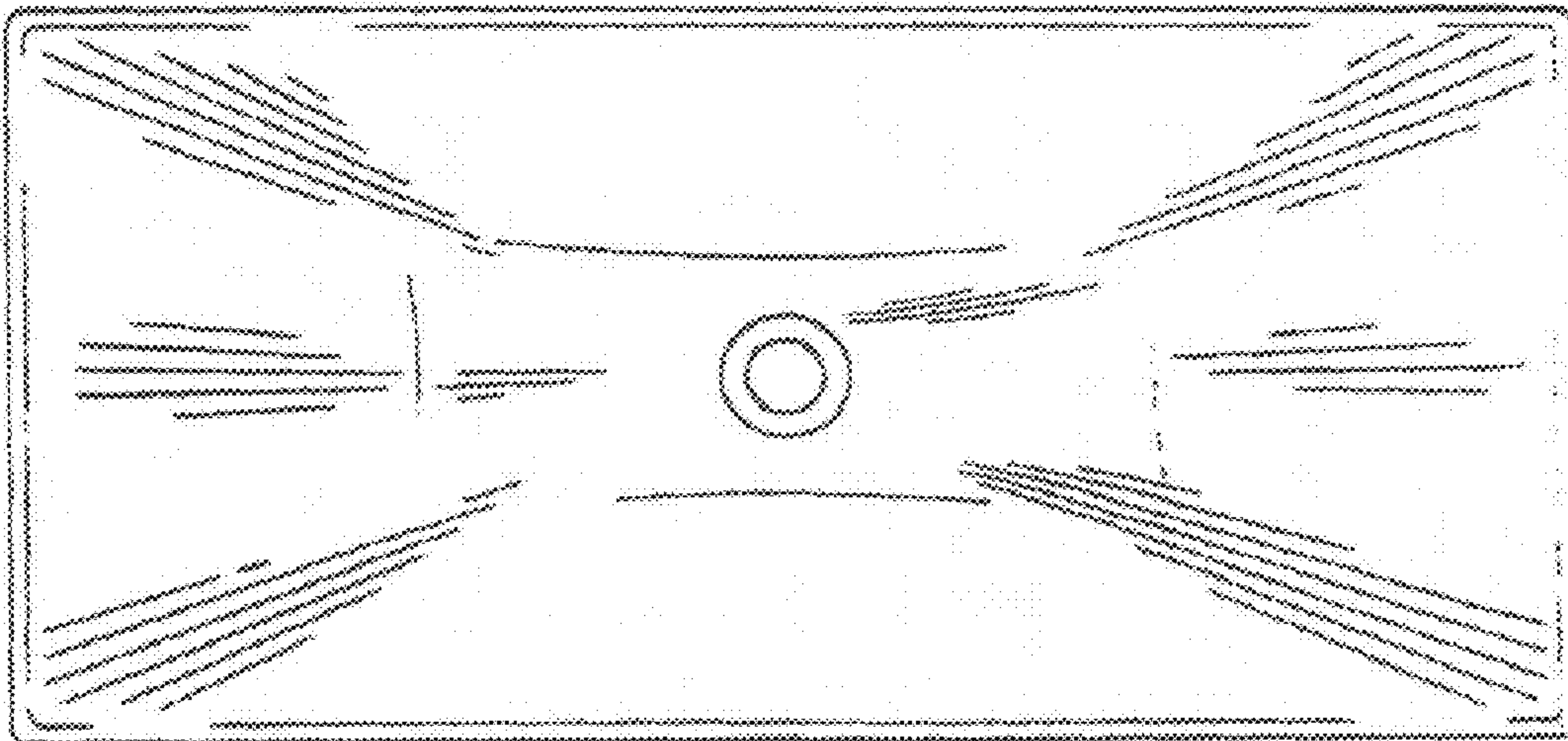


FIG. 4