



US00D596717S

(12) **United States Design Patent**
Jones et al.

(10) **Patent No.:** **US D596,717 S**
(45) **Date of Patent:** **** Jul. 21, 2009**

(54) **WATERFALL TUB SPOUT**

(75) Inventors: **Chad H. Jones**, Frisco, TX (US);
Stephen L. Fillipp, Lubbock, TX (US)

(73) Assignee: **NCH Corporation**, Irving, TX (US)

(**) Term: **14 Years**

(21) Appl. No.: **29/303,855**

(22) Filed: **Feb. 19, 2008**

(51) **LOC (9) Cl.** **23-02**

(52) **U.S. Cl.** **D23/255**

(58) **Field of Classification Search** D23/238–243,
D23/255–257; 4/675–678; 137/801; D8/300,
D8/307–308, 321; 16/110.1
See application file for complete search history.

(56) **References Cited**

U.S. PATENT DOCUMENTS

D321,553 S * 11/1991 Delephine D23/241
D330,935 S * 11/1992 Delepine D23/238
D534,996 S * 1/2007 Wang D23/255

* cited by examiner

Primary Examiner—Robert A Delehanty
(74) *Attorney, Agent, or Firm*—Klemchuk Kubasta LLP;
Keith E. Taber

(57) **CLAIM**

The ornamental design for a waterfall tub spout, as shown and described.

DESCRIPTION

FIG. 1 is a perspective view of the waterfall tub spout according to the present invention.

FIG. 2 is a side view of the waterfall tub spout according to the present invention.

FIG. 3 is a front view of the waterfall tub spout according to the present invention.

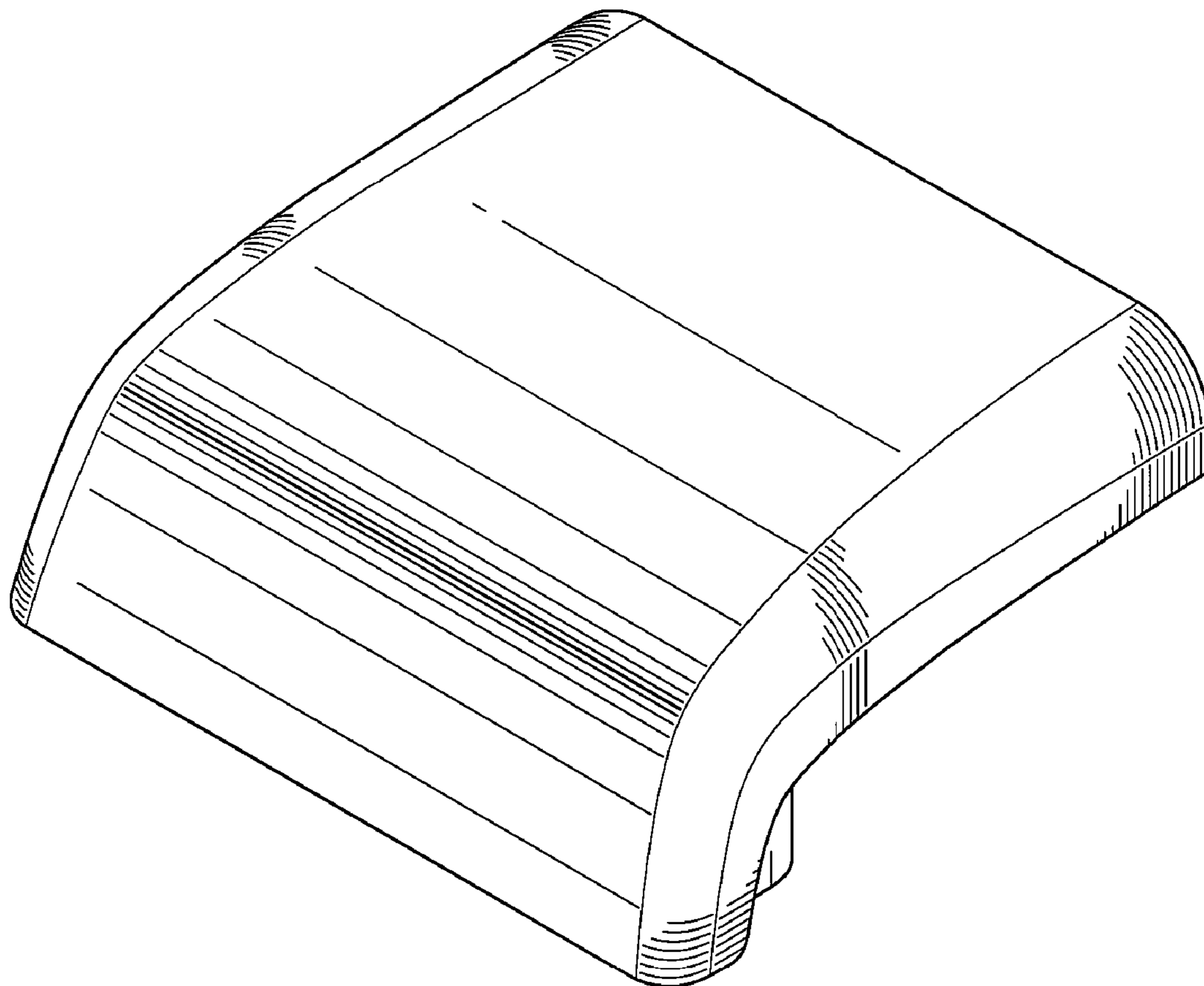
FIG. 4 is a top view of the waterfall tub spout according to the present invention.

FIG. 5 is a bottom view of the waterfall tub spout according to the present invention; and,

FIG. 6 is a back view of the waterfall tub spout according to the present invention.

The broken lines shown on the drawings are for illustrative purposes only and form no part of the claimed design.

1 Claim, 3 Drawing Sheets



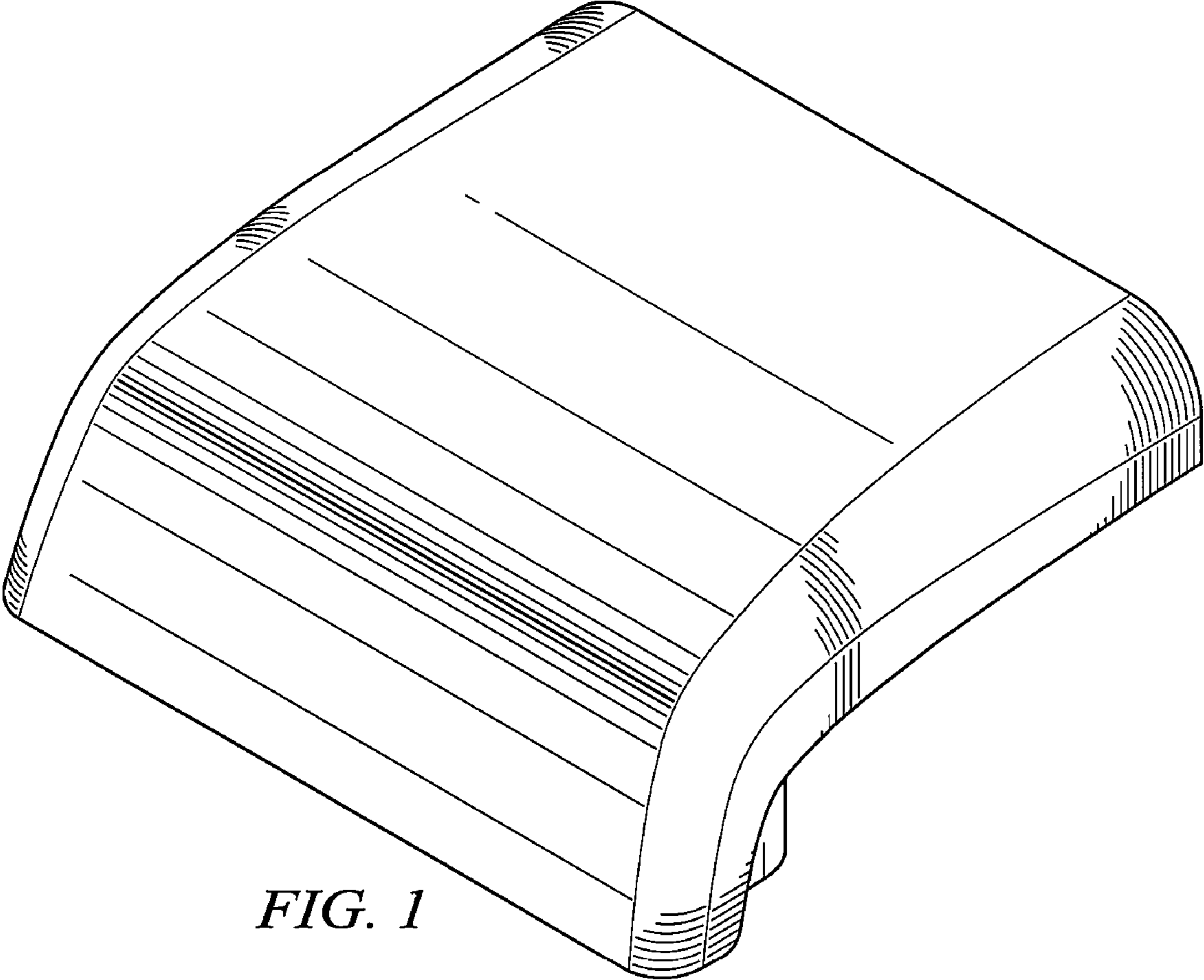


FIG. 1

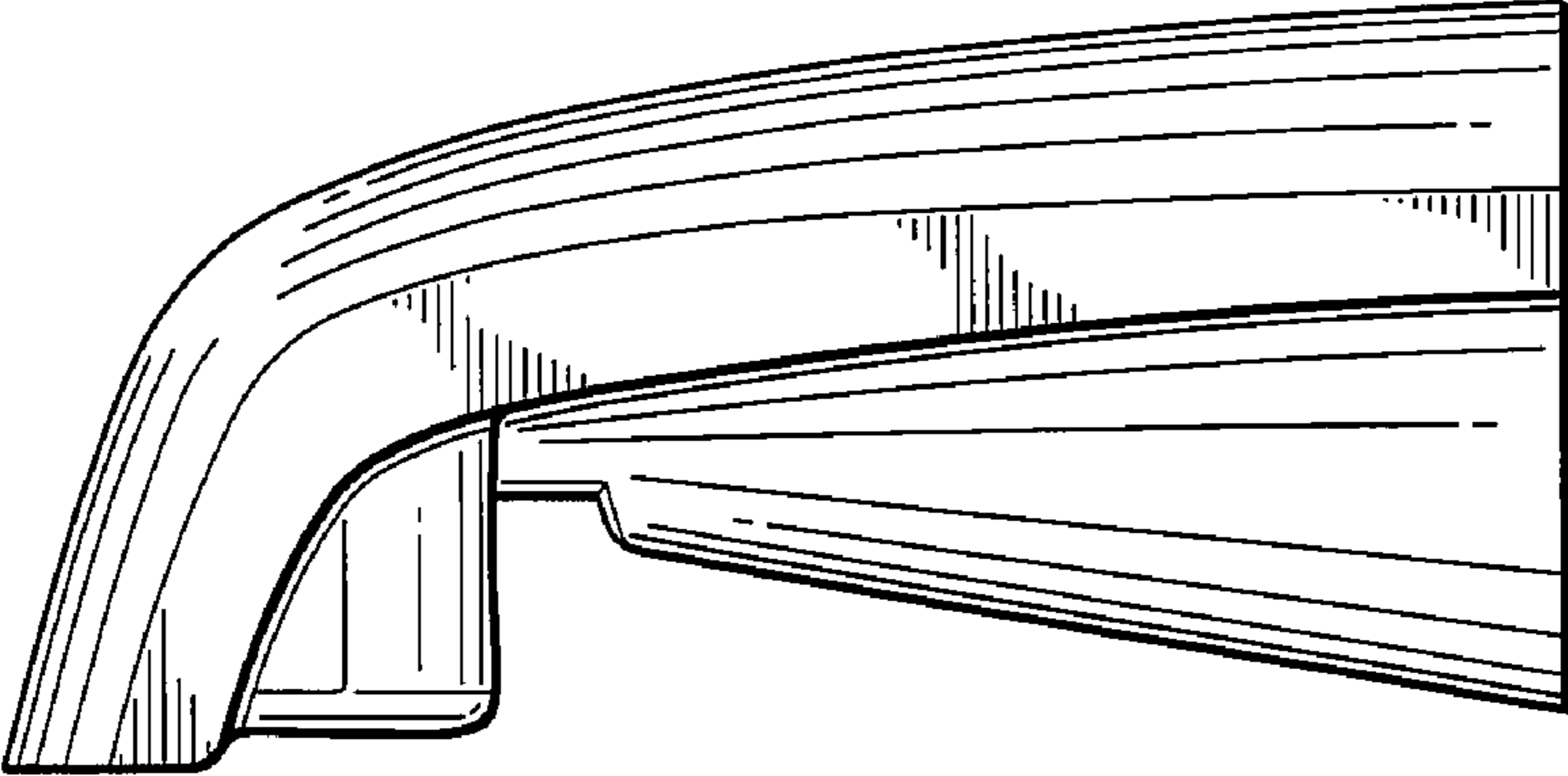


FIG. 2

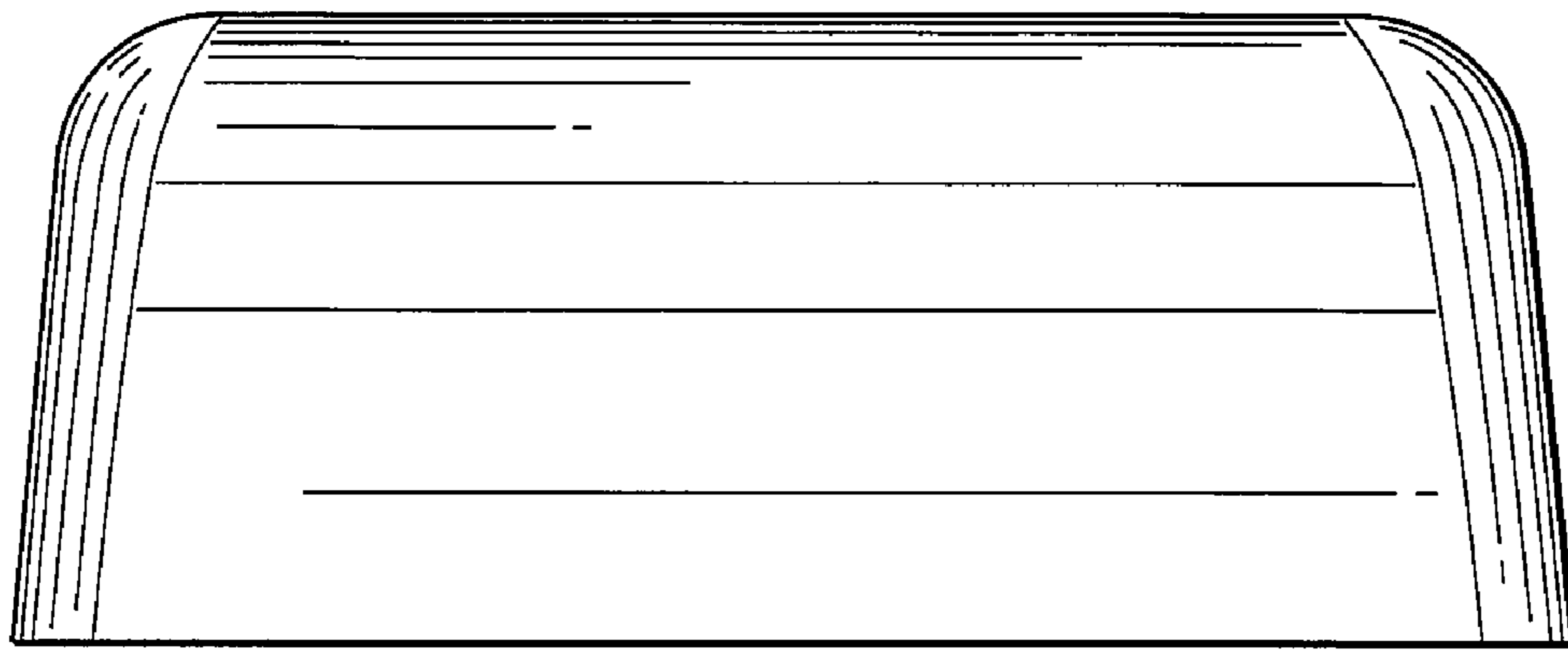


FIG. 3

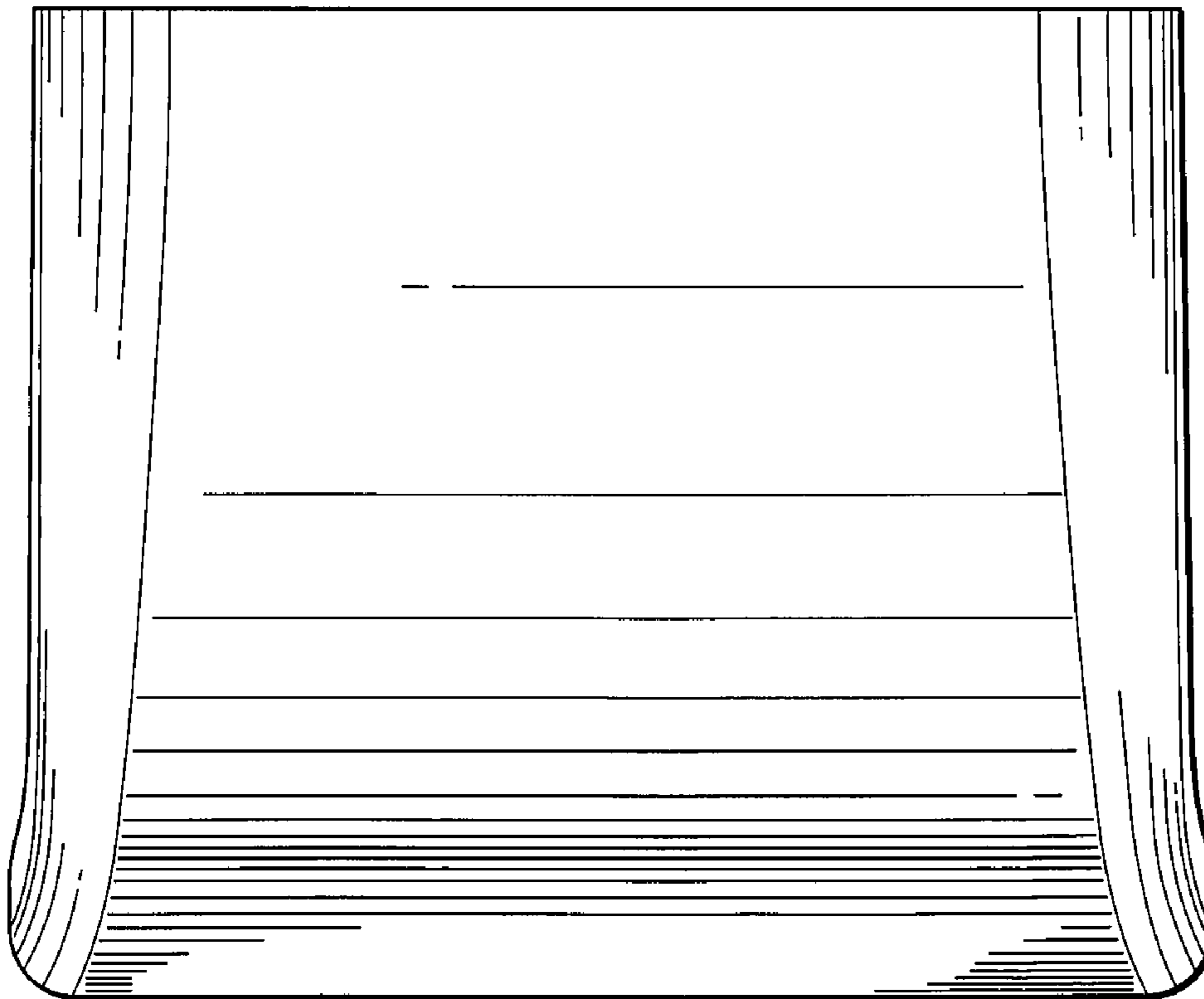


FIG. 4

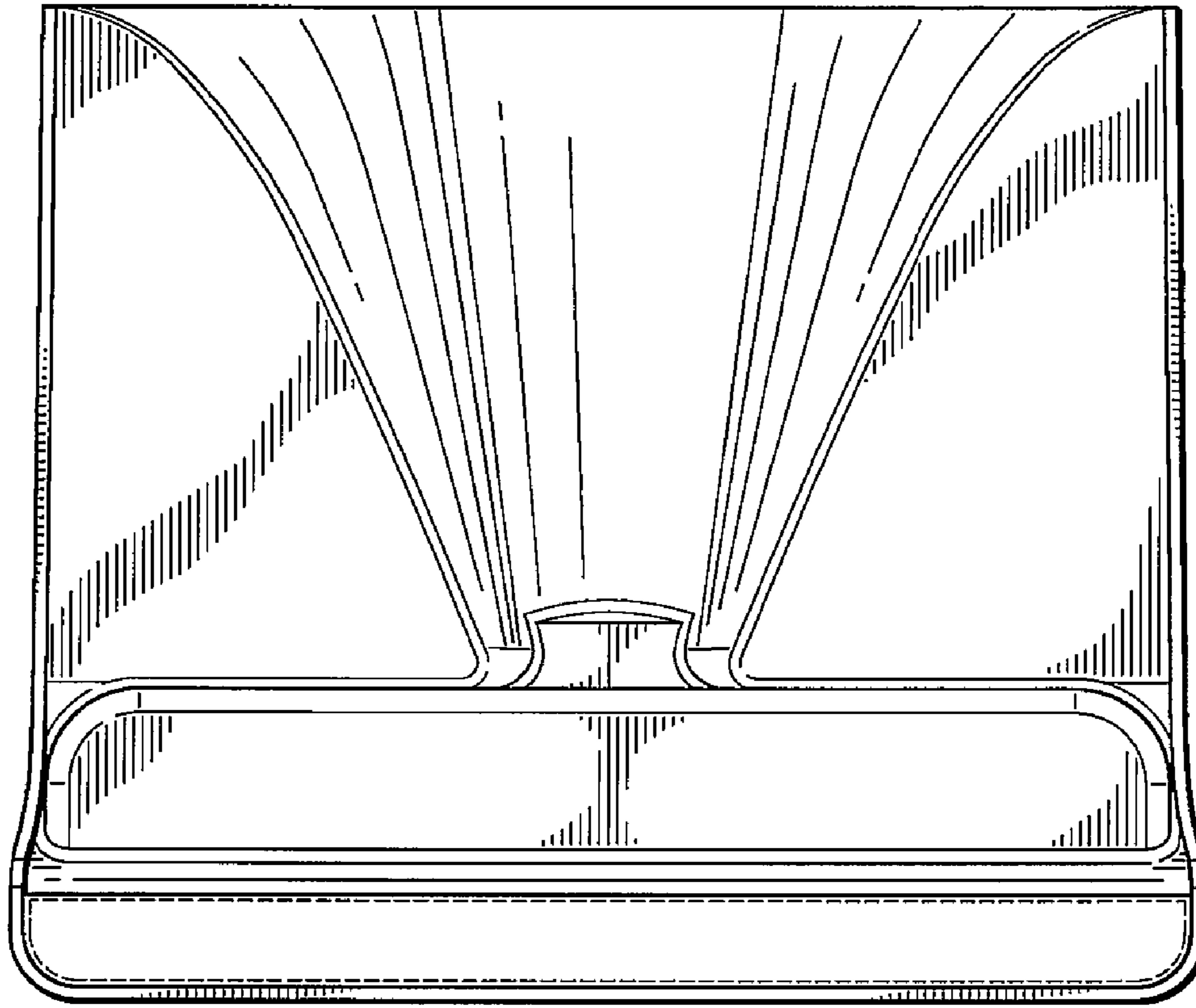


FIG. 5

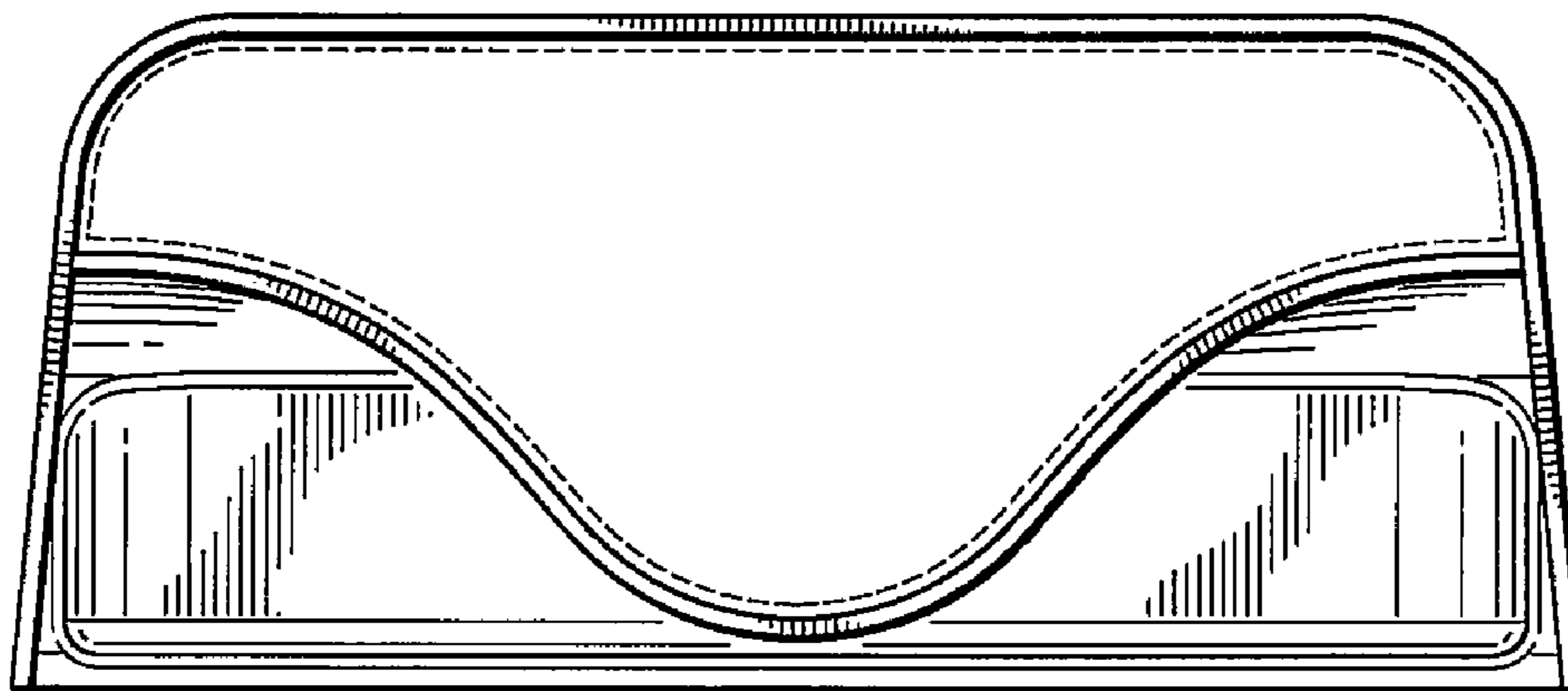


FIG. 6