



US00D596714S

(12) **United States Design Patent**  
**Starck**

(10) **Patent No.:** **US D596,714 S**

(45) **Date of Patent:** **\*\* Jul. 21, 2009**

(54) **SHOWER CONTROL AND HANDSHOWER  
HOLDER**

D531,268 S \* 10/2006 Bouroullec et al. .... D23/238  
D533,262 S \* 12/2006 Starck ..... D23/304  
D539,875 S \* 4/2007 Starck ..... D23/254

(75) Inventor: **Philippe Starck**, Paris (FR)

\* cited by examiner

(73) Assignee: **Hansgrohe AG**, Schiltach (DE)

*Primary Examiner*—Robert A Delehanty

(\*\*) Term: **14 Years**

(74) *Attorney, Agent, or Firm*—Nirav D. Parikh; Edgar A. Zarins

(21) Appl. No.: **29/323,169**

(57) **CLAIM**

(22) Filed: **Aug. 20, 2008**

The ornamental design for a shower control and handshower holder, as shown and described.

(30) **Foreign Application Priority Data**

**DESCRIPTION**

Feb. 27, 2008 (EP) ..... 000887740

(51) **LOC (9) Cl.** ..... **23-01**

(52) **U.S. Cl.** ..... **D23/254**

(58) **Field of Classification Search** ..... D23/238–243,  
D23/250–254, 249, 228, 303–304; 4/675–677;  
137/801, 359; 16/110.1, 402; D8/300, 307–310,  
D8/350–358; D6/525, 546, 550, 800  
See application file for complete search history.

FIG. 1 is a front perspective view of a shower control and handshower holder showing my design;  
FIG. 2 is a front elevational view thereof;  
FIG. 3 is a left side elevational view; the right side elevational view being a mirror image thereof;  
FIG. 4 is a top plan view thereof; and,  
FIG. 5 is a bottom plan view thereof.

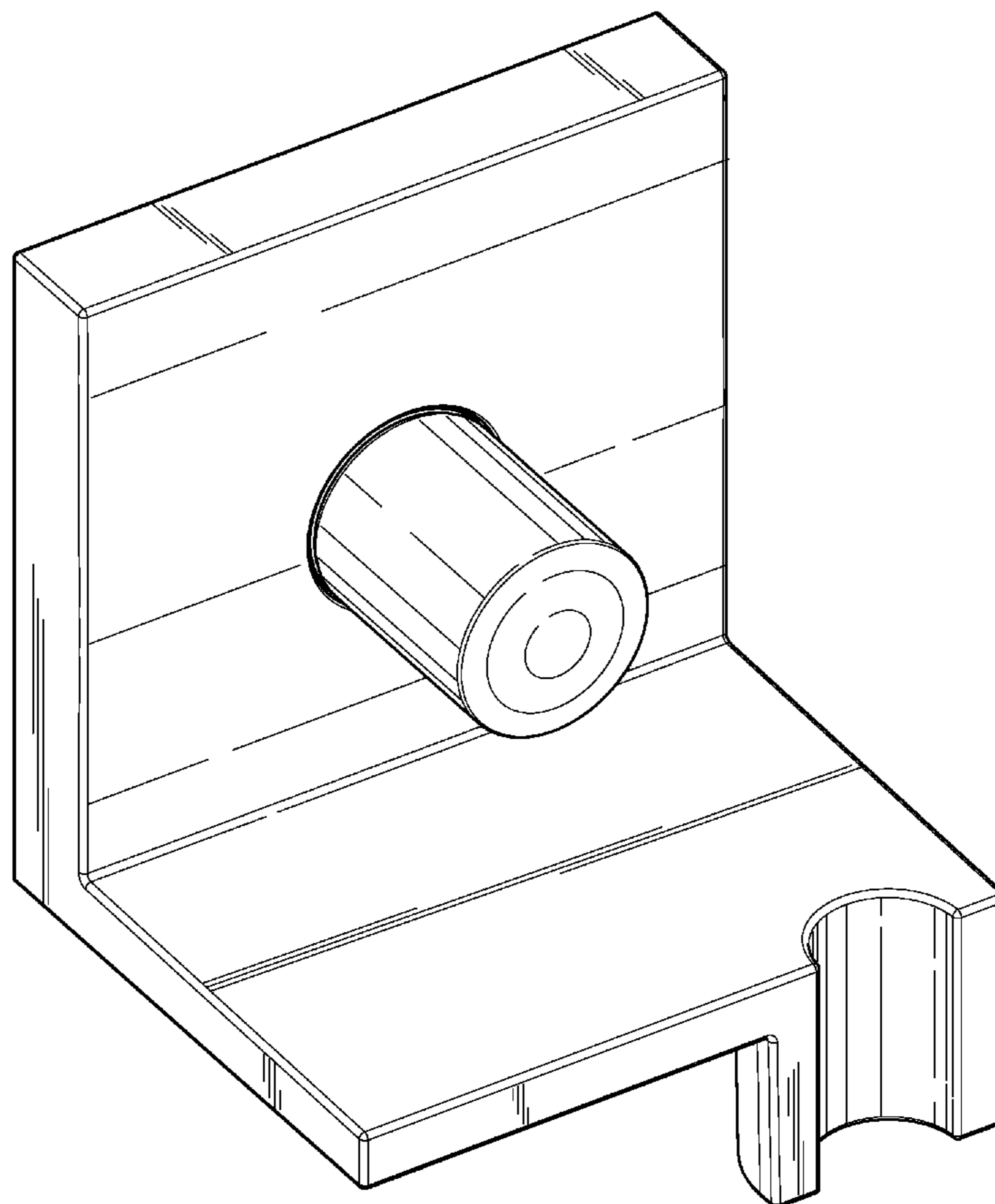
(56) **References Cited**

The features shown in broken lines depict environmental subject matter only and form no part of the claimed design.

**U.S. PATENT DOCUMENTS**

D233,234 S \* 10/1974 Arbon ..... D23/228  
D494,254 S \* 8/2004 Citterio ..... D23/245

**1 Claim, 5 Drawing Sheets**



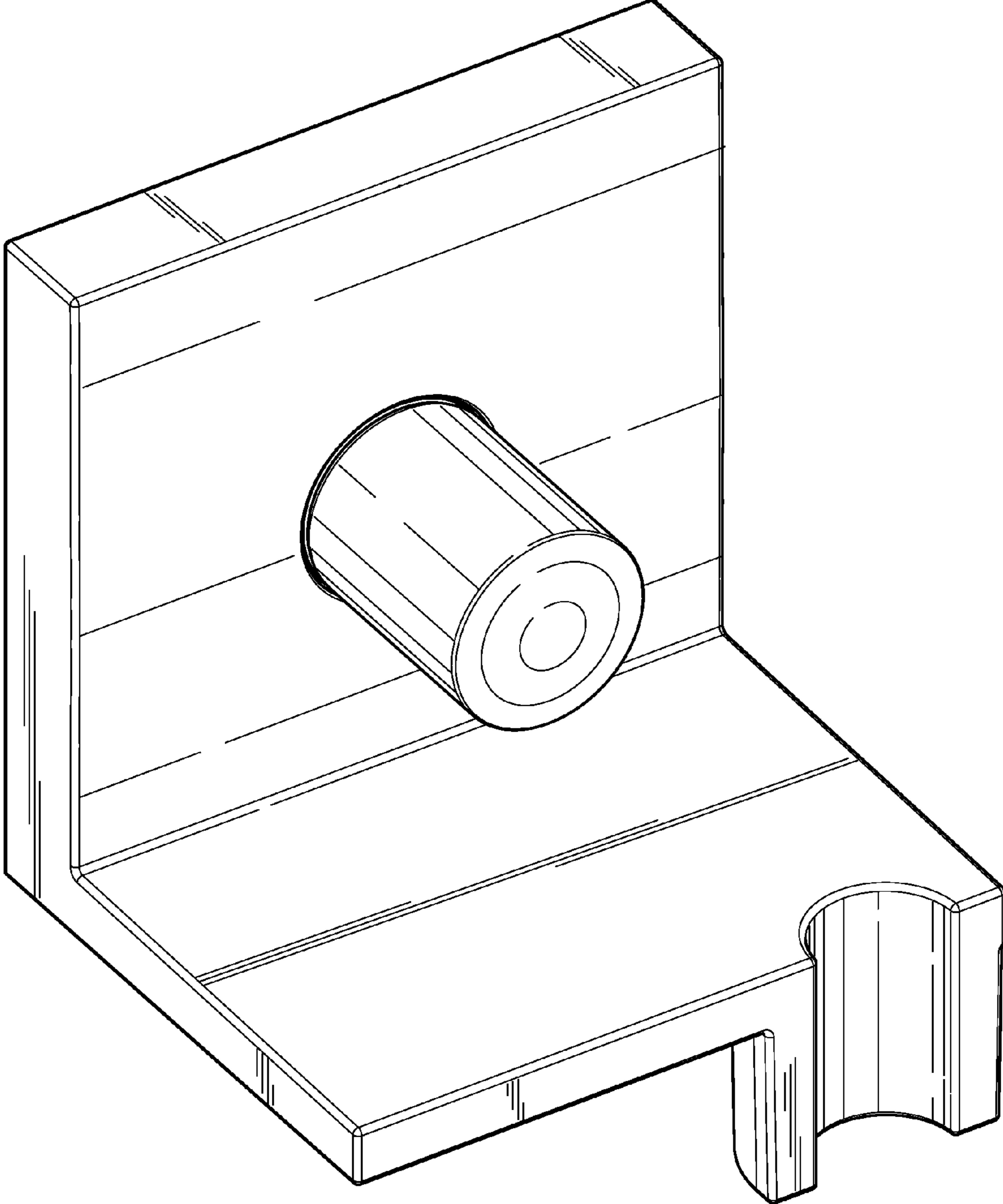


FIG. 1

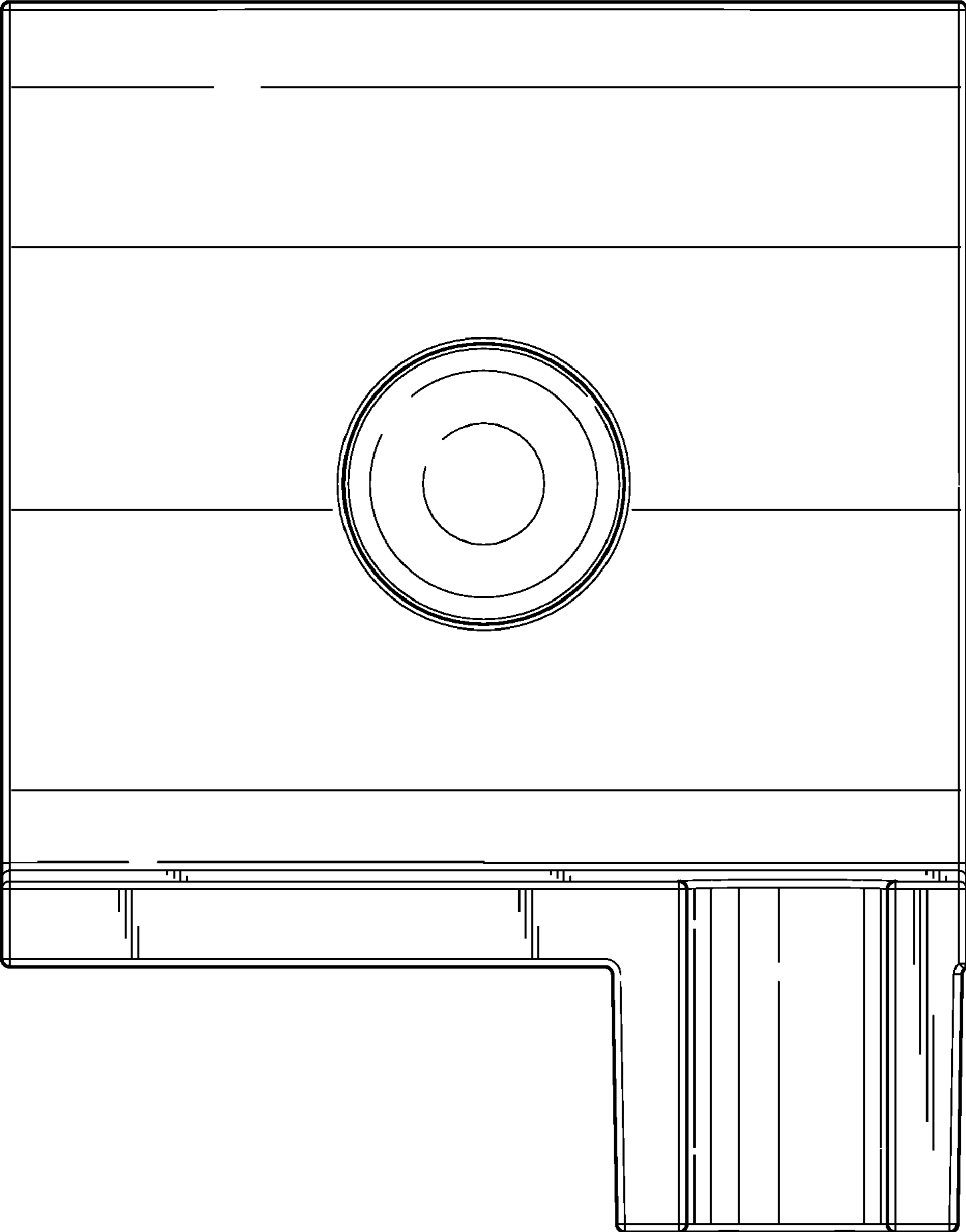


FIG. 2

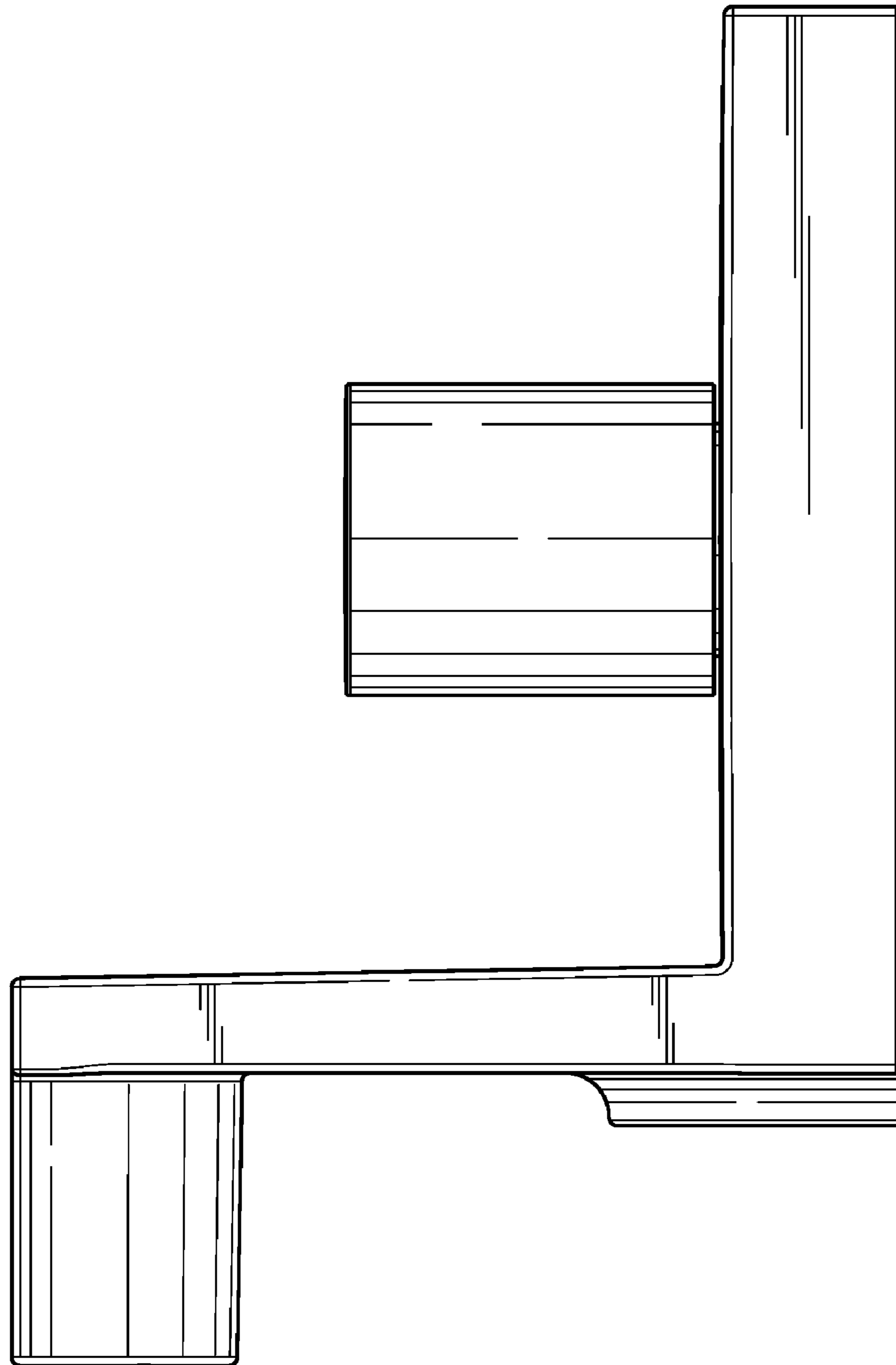


FIG. 3

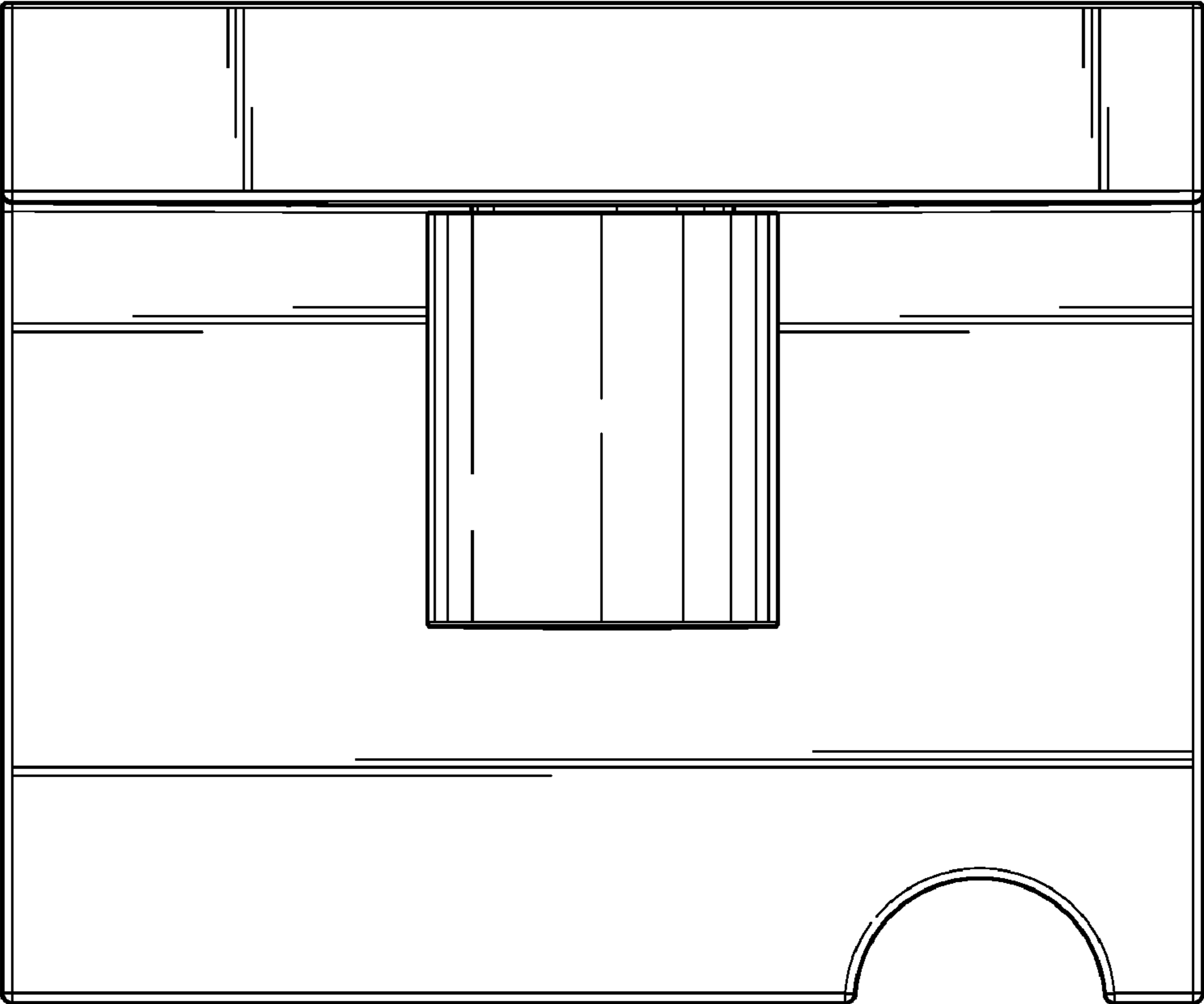


FIG. 4

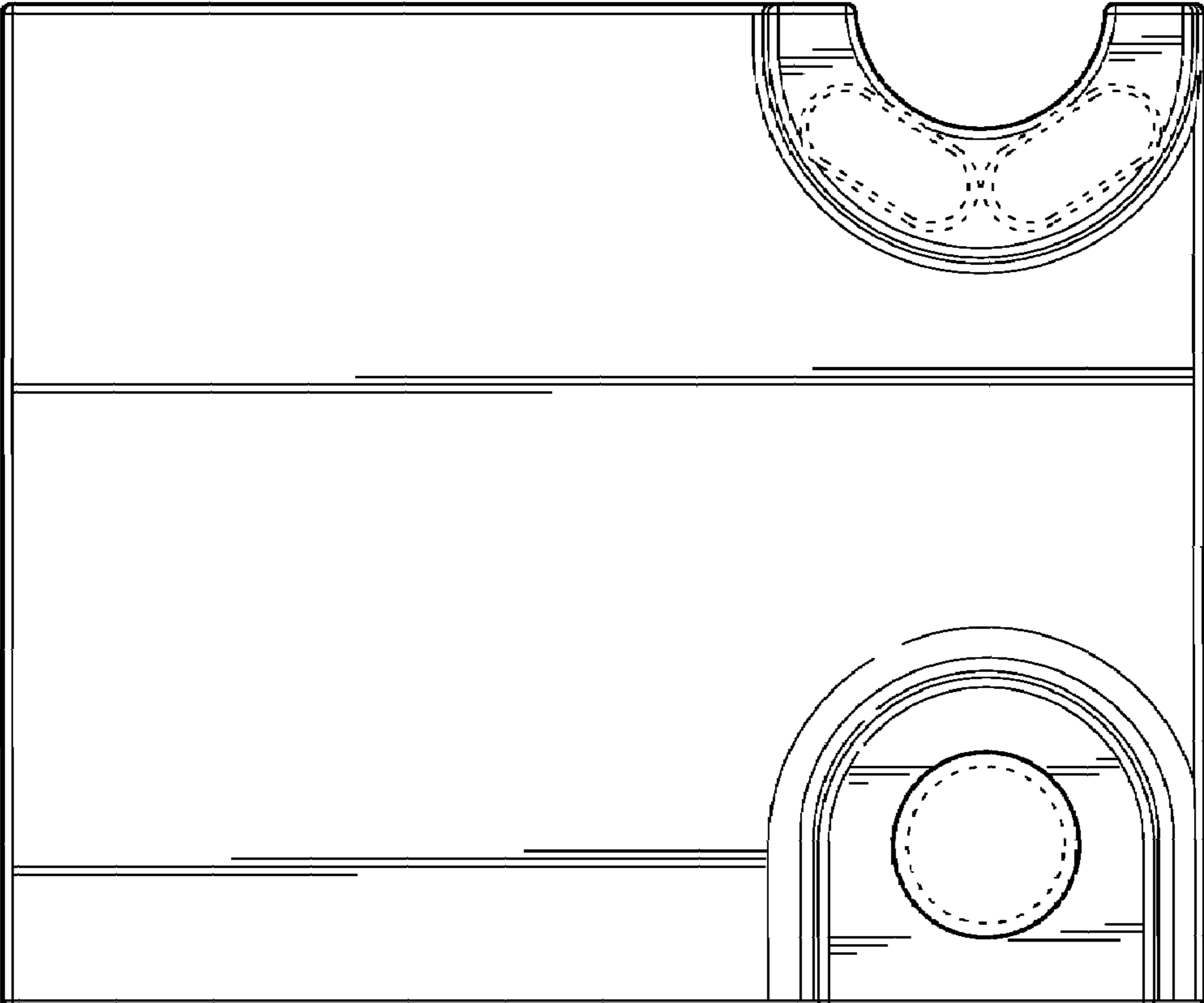


FIG. 5