



US00D596711S

(12) **United States Design Patent**
Sieger

(10) **Patent No.:** **US D596,711 S**
(45) **Date of Patent:** **** Jul. 21, 2009**

(54) **DECK-MOUNT FAUCET**

(75) Inventor: **Michael Sieger**, Sassenberg (DE)

(73) Assignee: **Aloys F. Dornbracht GmbH & Co. KG**, Iserlohn (DE)

(**) Term: **14 Years**

(21) Appl. No.: **29/328,558**

(22) Filed: **Nov. 26, 2008**

(30) **Foreign Application Priority Data**

May 28, 2008 (EM) 000942339-0008
May 28, 2008 (EM) 000942339-0015
May 28, 2008 (EM) 000942339-0016

(51) **LOC (9) Cl.** **23-01**

(52) **U.S. Cl.** **D23/238**

(58) **Field of Classification Search** D23/200,
D23/238-257; D6/512, 546, 550; D8/300,
D8/307-308, 310-312, 321; 4/675-678;
137/801; 16/110.1, 441

See application file for complete search history.

(56) **References Cited**

U.S. PATENT DOCUMENTS

D301,162 S * 5/1989 Oberdorfer D23/238
D324,723 S * 3/1992 Chretien D23/238
D355,706 S * 2/1995 Chretien D23/238

D416,077 S * 11/1999 Fleischmann D23/238
D420,430 S * 2/2000 Lobermeier D23/238
D435,088 S * 12/2000 Fleischmann D23/238
D441,429 S * 5/2001 Mullenmeister D23/238
D517,653 S * 3/2006 Ito D23/238
D532,084 S * 11/2006 Toyohara D23/238
D548,308 S * 8/2007 Hoernig D23/238

* cited by examiner

Primary Examiner—T. Chase Nelson

Assistant Examiner—Mark Cavanna

(74) *Attorney, Agent, or Firm*—Andrew Wilford

(57) **CLAIM**

The ornamental design for a deck-mount faucet, as shown and described.

DESCRIPTION

FIG. 1 is a perspective view from above and front left of a deck-mount faucet according to the invention;

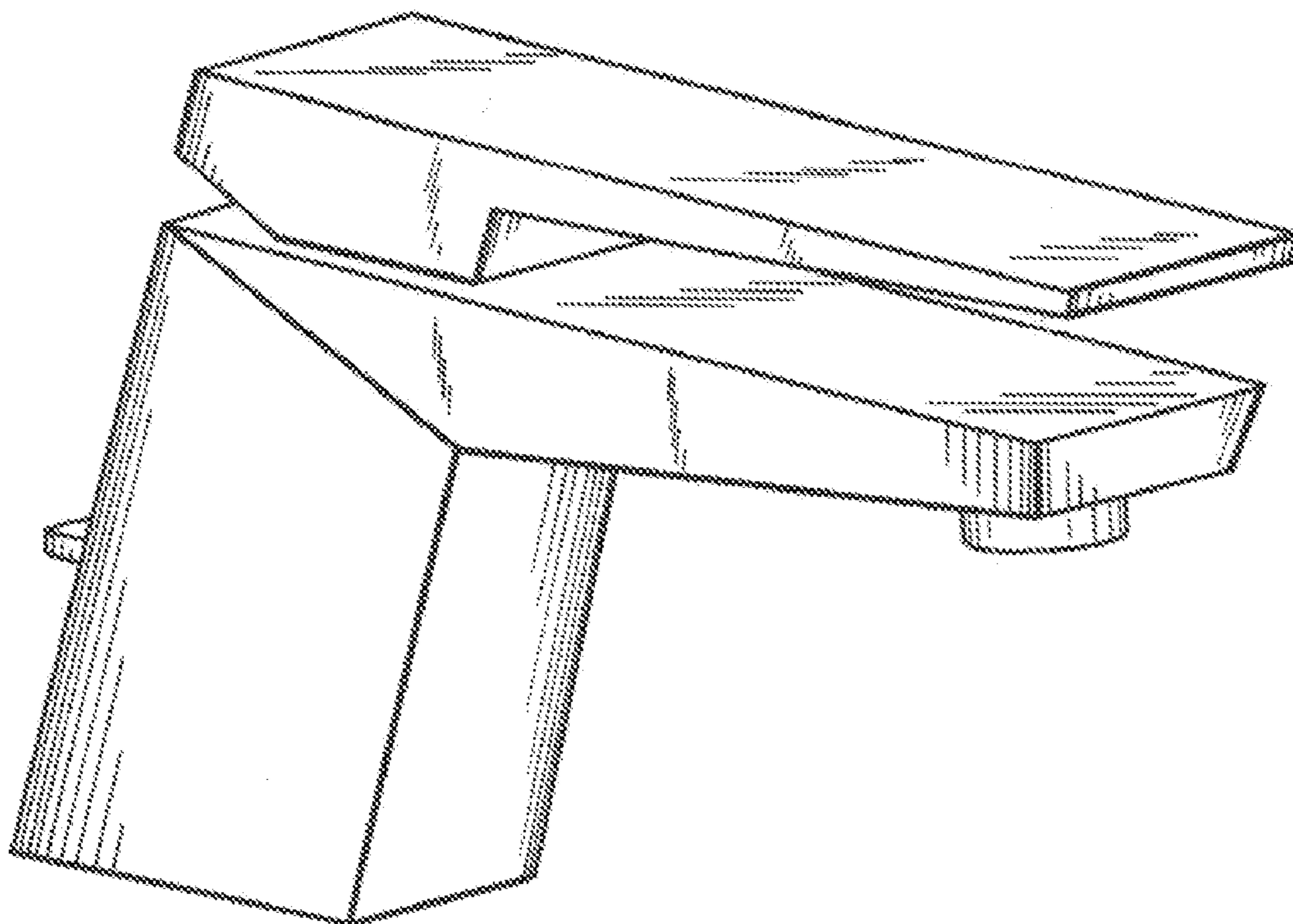
FIG. 2 is a perspective view from above and front right of the deck-mount faucet;

FIGS. 3 and 4 are left- and right-hand side elevational views of the deck-mount faucet;

FIG. 5 is a top view of the deck-mount faucet; and,

FIGS. 6 and 7 are rear and front elevational views of the deck-mount faucet.

1 Claim, 3 Drawing Sheets



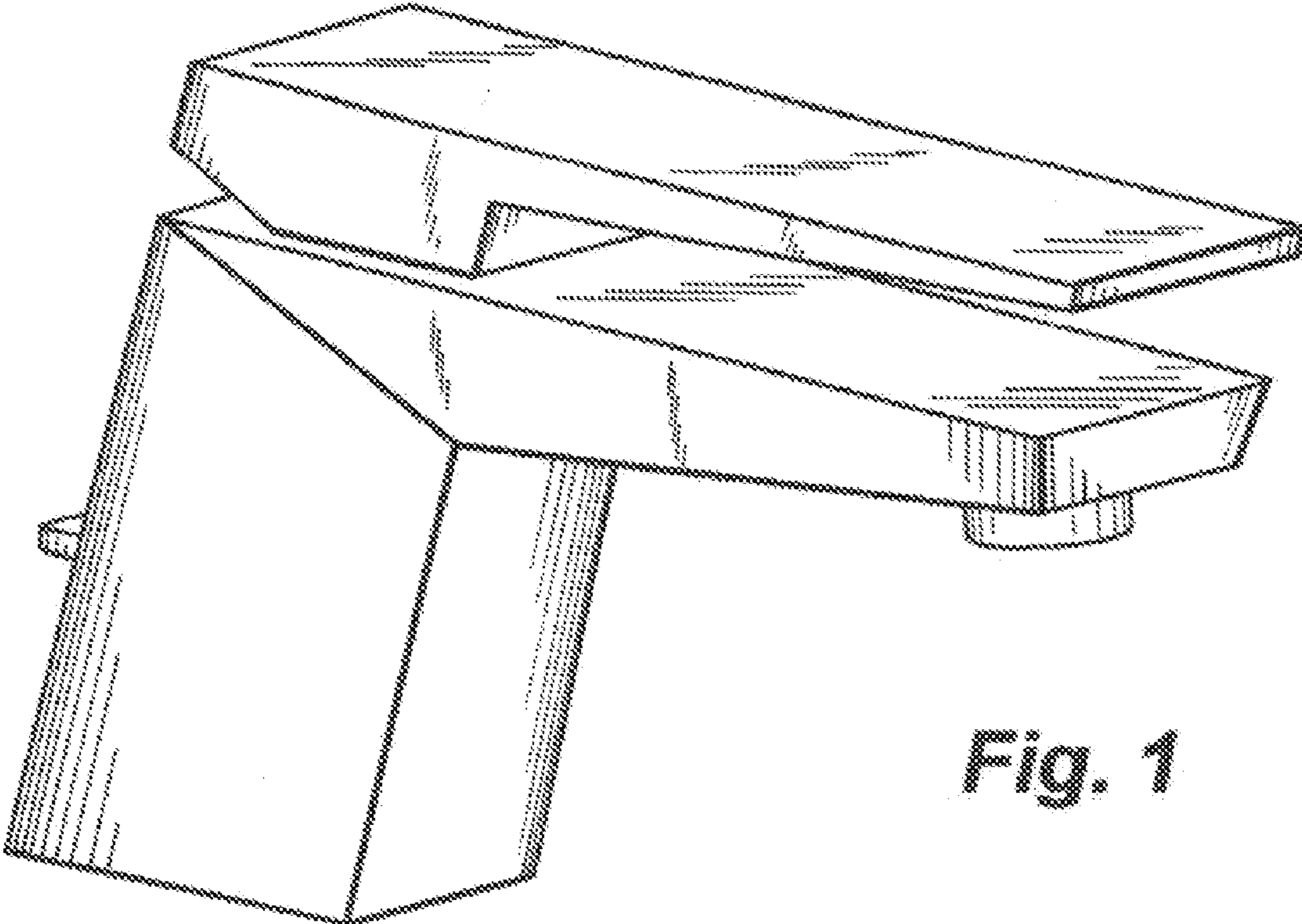


Fig. 1

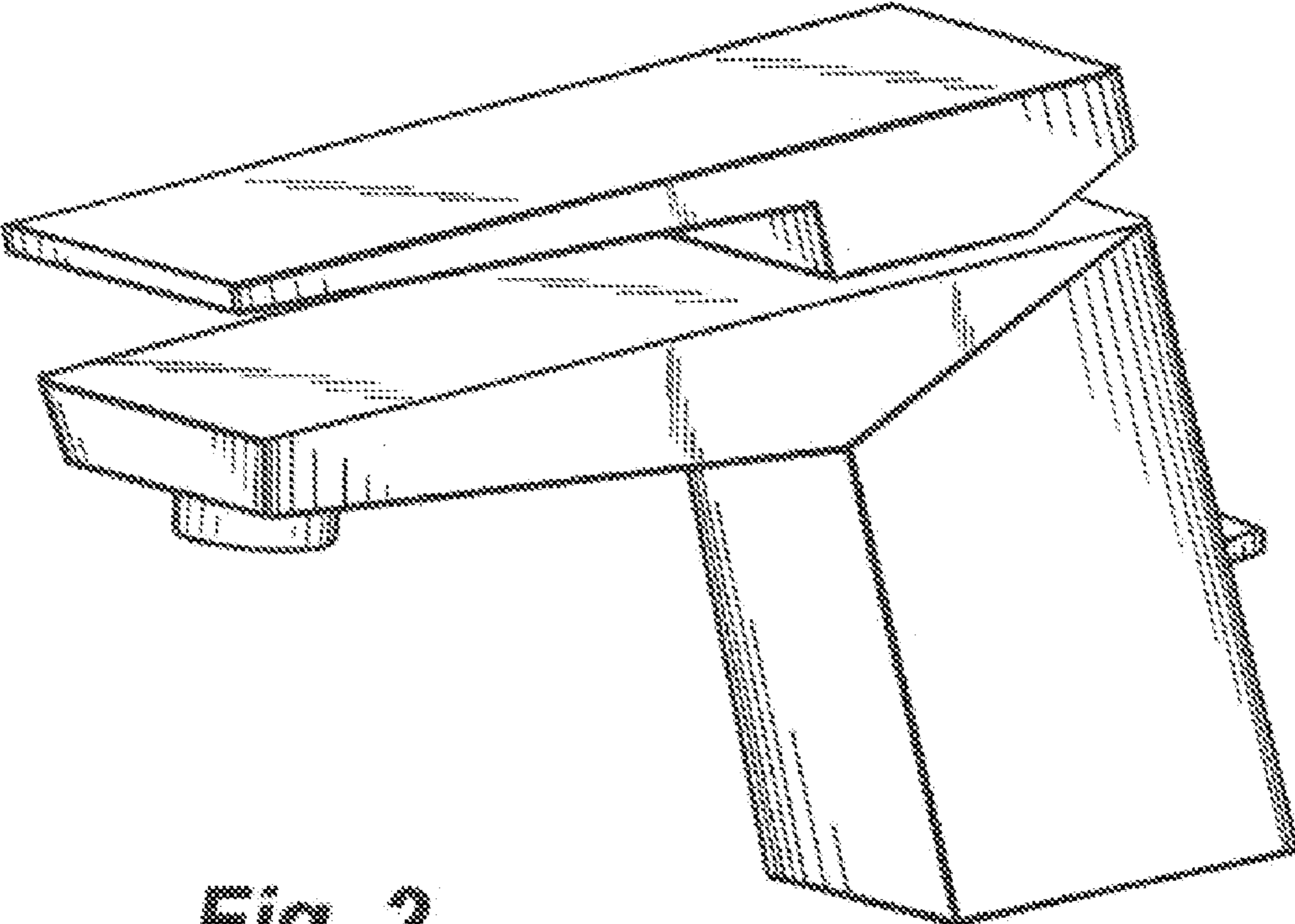
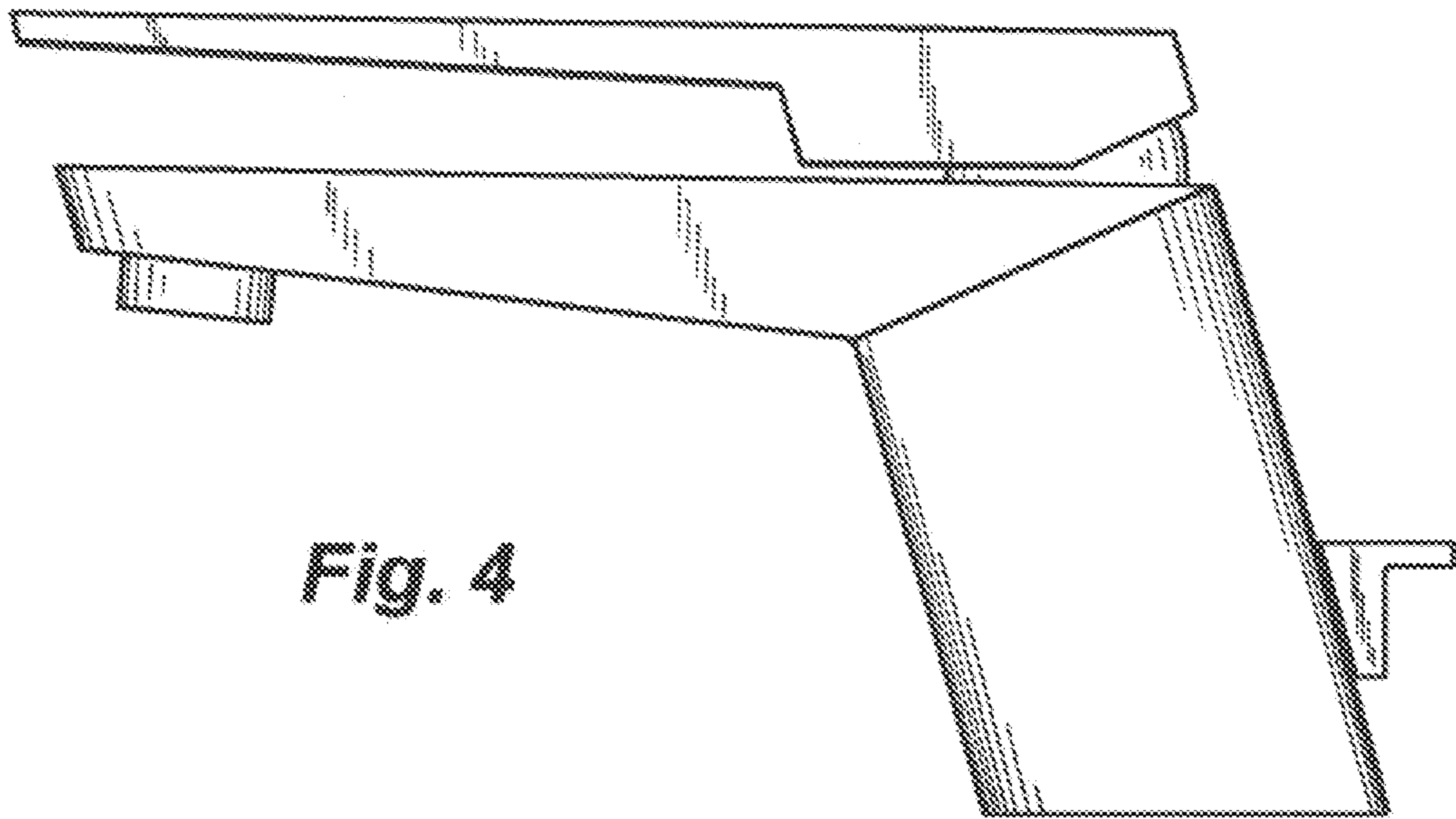
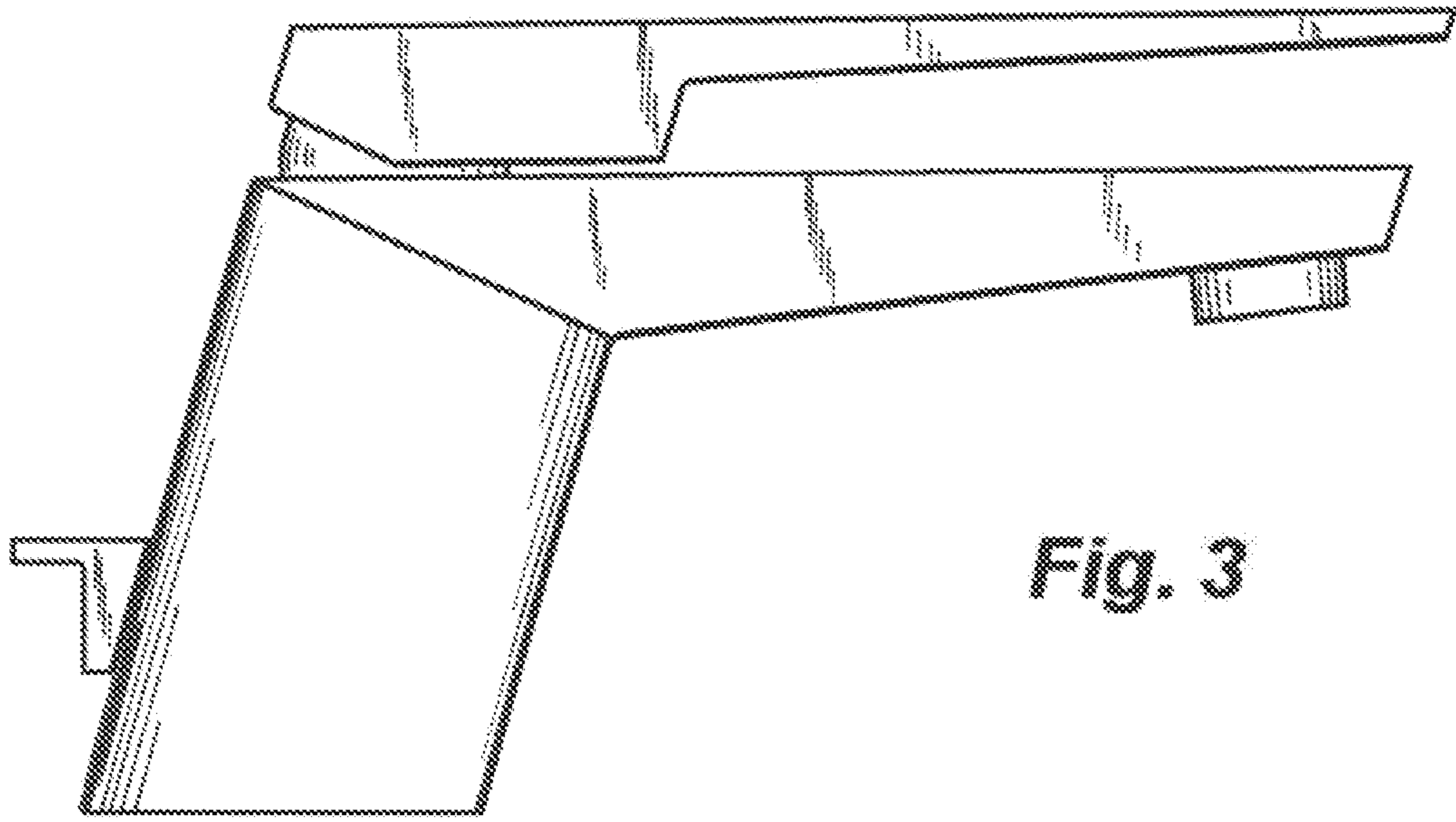


Fig. 2



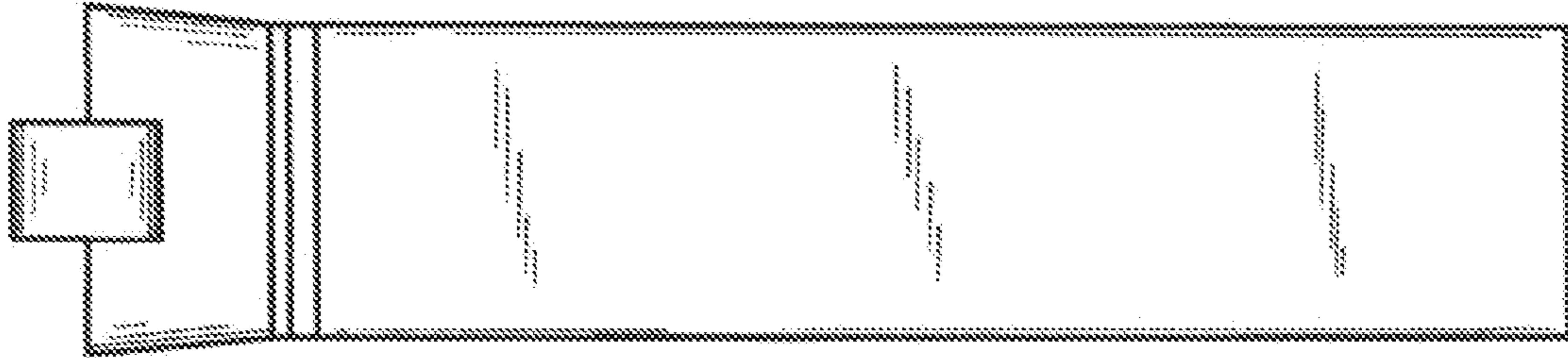


Fig. 5

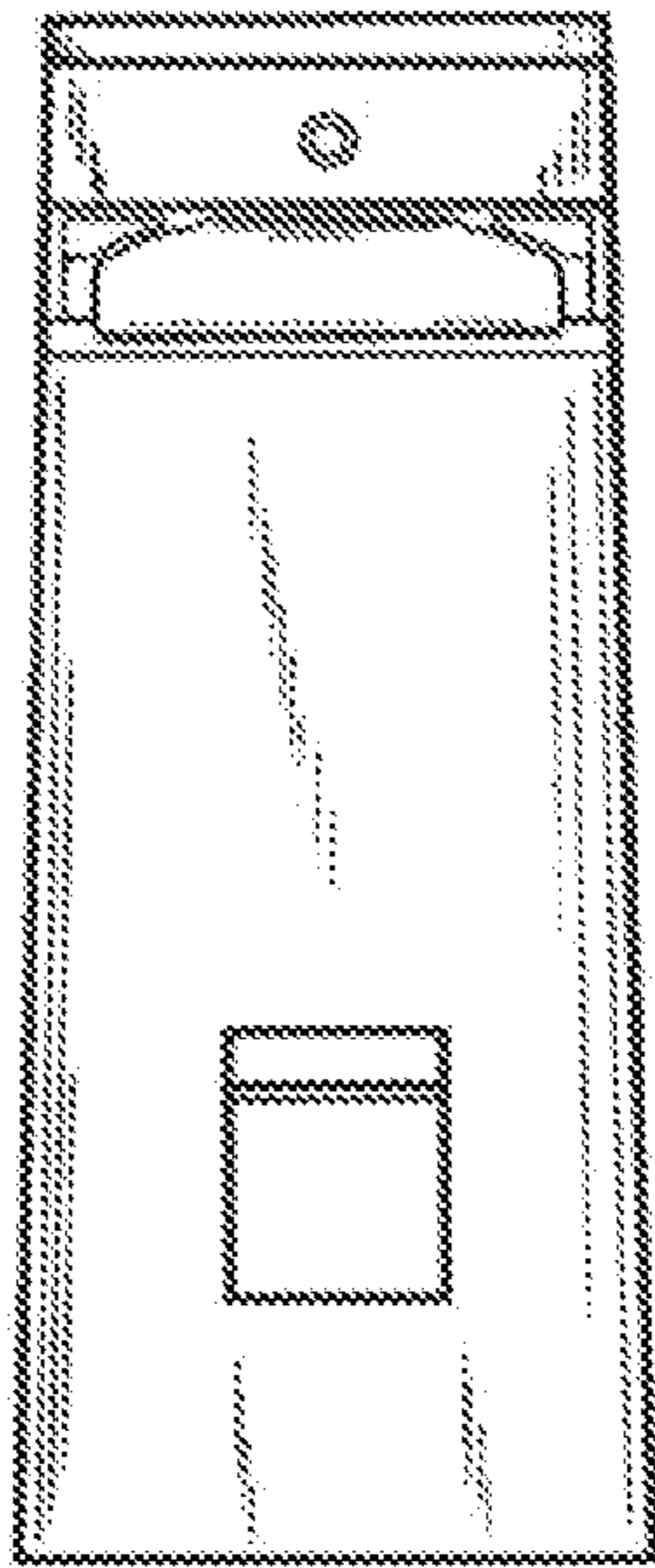


Fig. 6

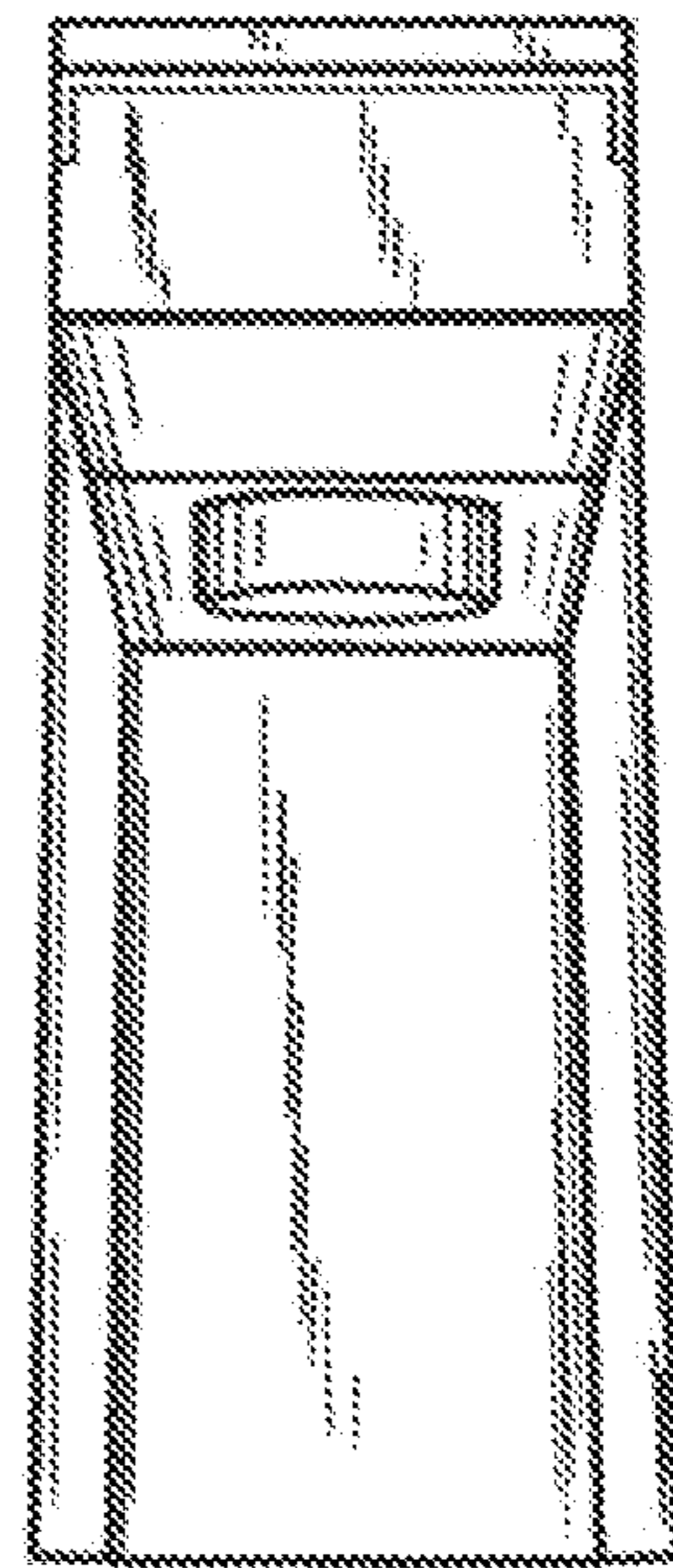


Fig. 7