



US00D596710S

(12) **United States Design Patent**  
**Starck**

(10) **Patent No.:** **US D596,710 S**  
(45) **Date of Patent:** **\*\* Jul. 21, 2009**

(54) **TUB FAUCET**

D583,904 S \* 12/2008 Oh ..... D23/238

(75) Inventor: **Philippe Starck**, Paris (FR)

**OTHER PUBLICATIONS**

(73) Assignee: **Hansgrohe AG**, Schiltach (DE)

Brochure—Body & Mind, 3 pgs., Ideal Standard Deutschland, Bonn, Germany (at least as early as Mar. 9, 2007).

(\*\*) Term: **14 Years**

\* cited by examiner

(21) Appl. No.: **29/323,177**

*Primary Examiner*—Robert A Delehanty

(22) Filed: **Aug. 20, 2008**

(74) *Attorney, Agent, or Firm*—Nirav D. Parikh; Edgar A. Zarins

(30) **Foreign Application Priority Data**

(57) **CLAIM**

Feb. 27, 2008 (EP) ..... 000887740

The ornamental design for a tub faucet, as shown and described.

(51) **LOC (9) Cl.** ..... **23-01**

(52) **U.S. Cl.** ..... **D23/238**

(58) **Field of Classification Search** ..... D23/239–243,  
D23/250–254, 255–257; 4/675–678; 137/801;  
16/110.1; D8/300, 307–312; D6/512, 524,  
D6/546, 550

**DESCRIPTION**

See application file for complete search history.

FIG. 1 is a front perspective view of a tub faucet showing my design;

FIG. 2 is a front elevational view thereof;

FIG. 3 is a left side elevational view; the right side elevational view being a mirror image thereof;

FIG. 4 is a top plan view thereof; and,

FIG. 5 is a bottom plan view thereof.

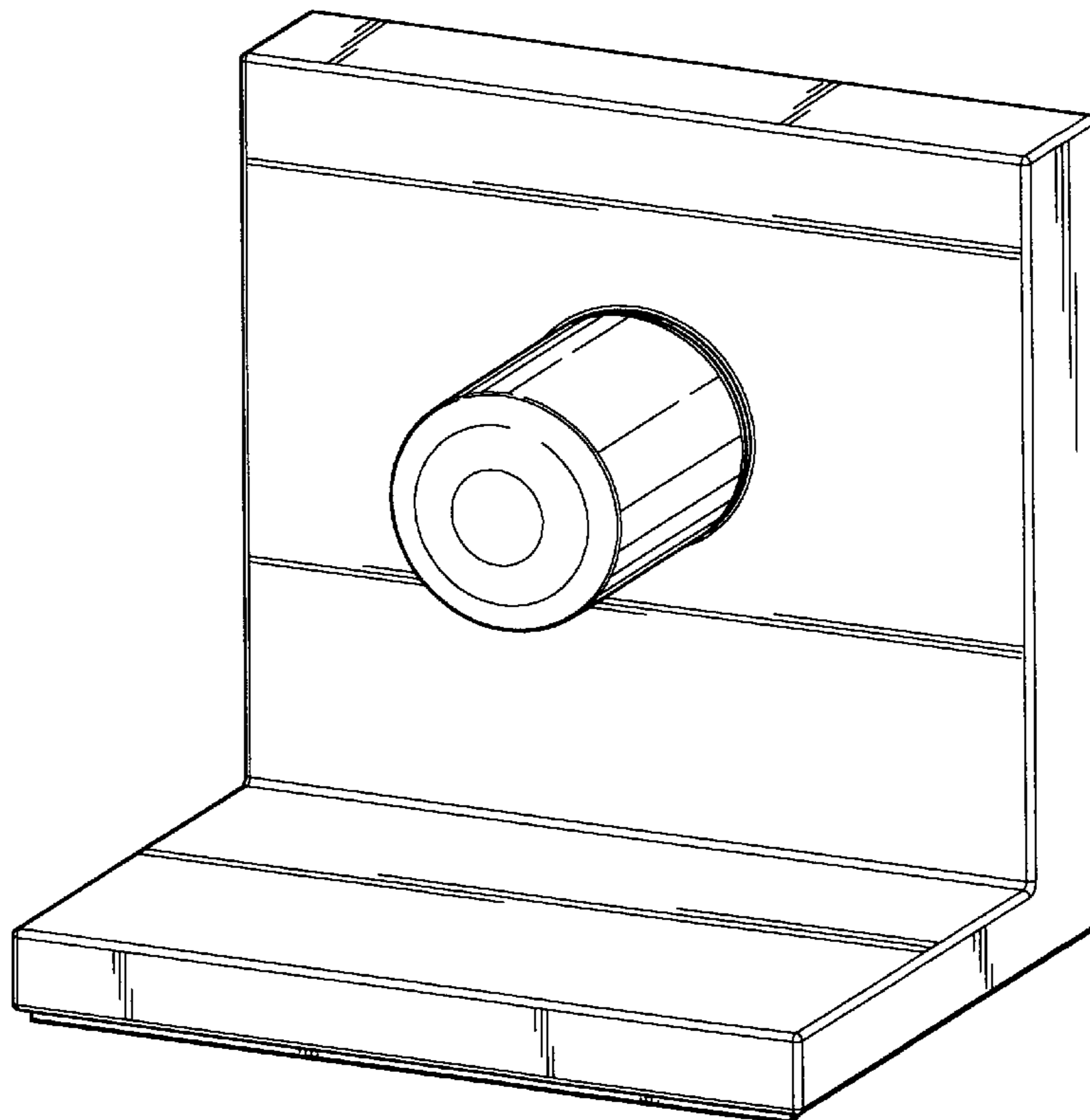
The broken line showing a spout opening is included for the purpose of illustrating a portion of the tub faucet that forms no part of the claimed design.

(56) **References Cited**

**U.S. PATENT DOCUMENTS**

D310,866 S *	9/1990	Strignano	.....	D23/241
D339,854 S *	9/1993	Paulin et al.	.....	D23/255
D343,444 S *	1/1994	Paulin et al.	.....	D23/238
D530,782 S *	10/2006	Starck	.....	D23/238
D542,384 S *	5/2007	Starck	.....	D23/254
D568,442 S *	5/2008	Garner	.....	D23/238

**1 Claim, 5 Drawing Sheets**



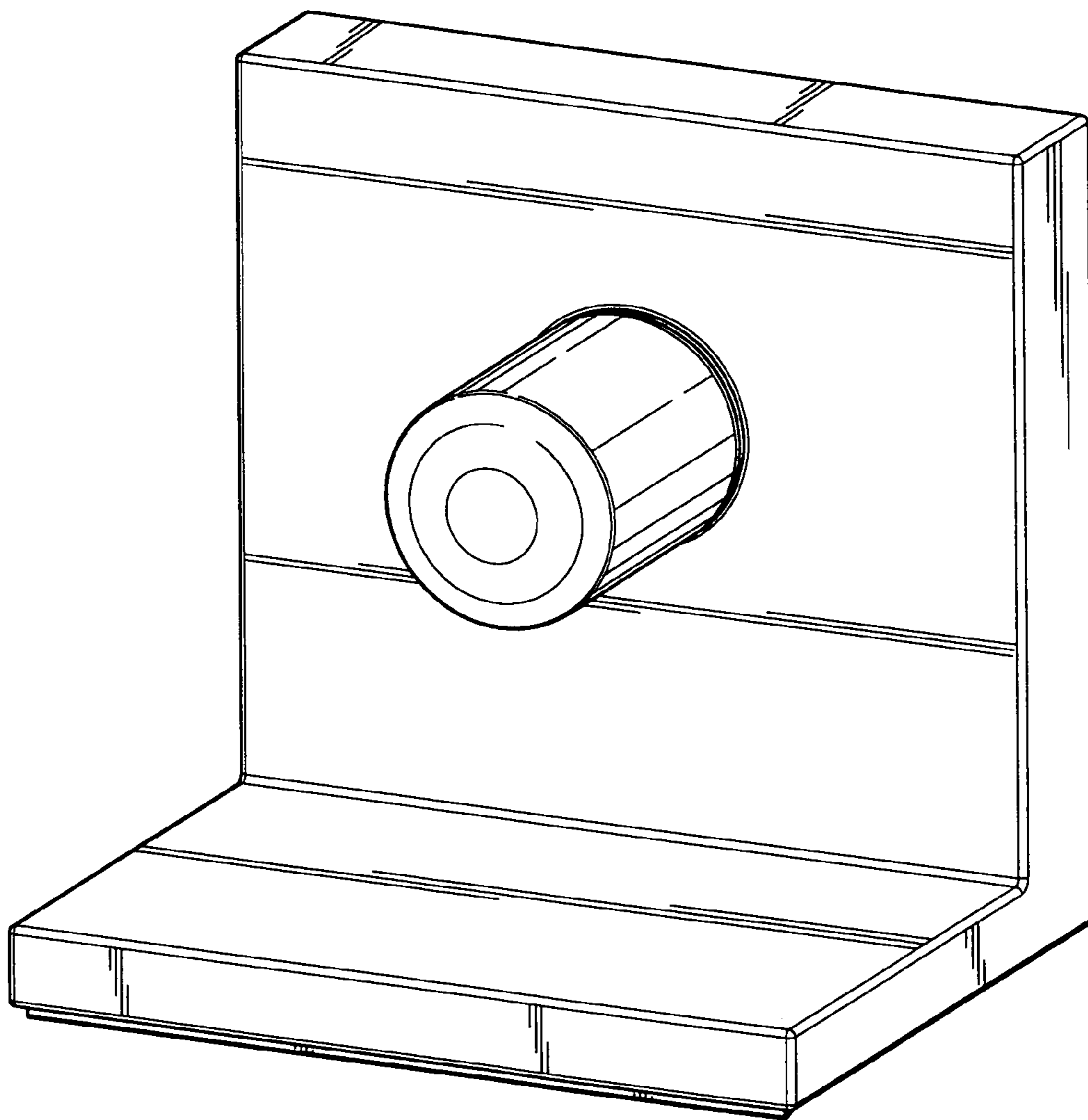


FIG. 1

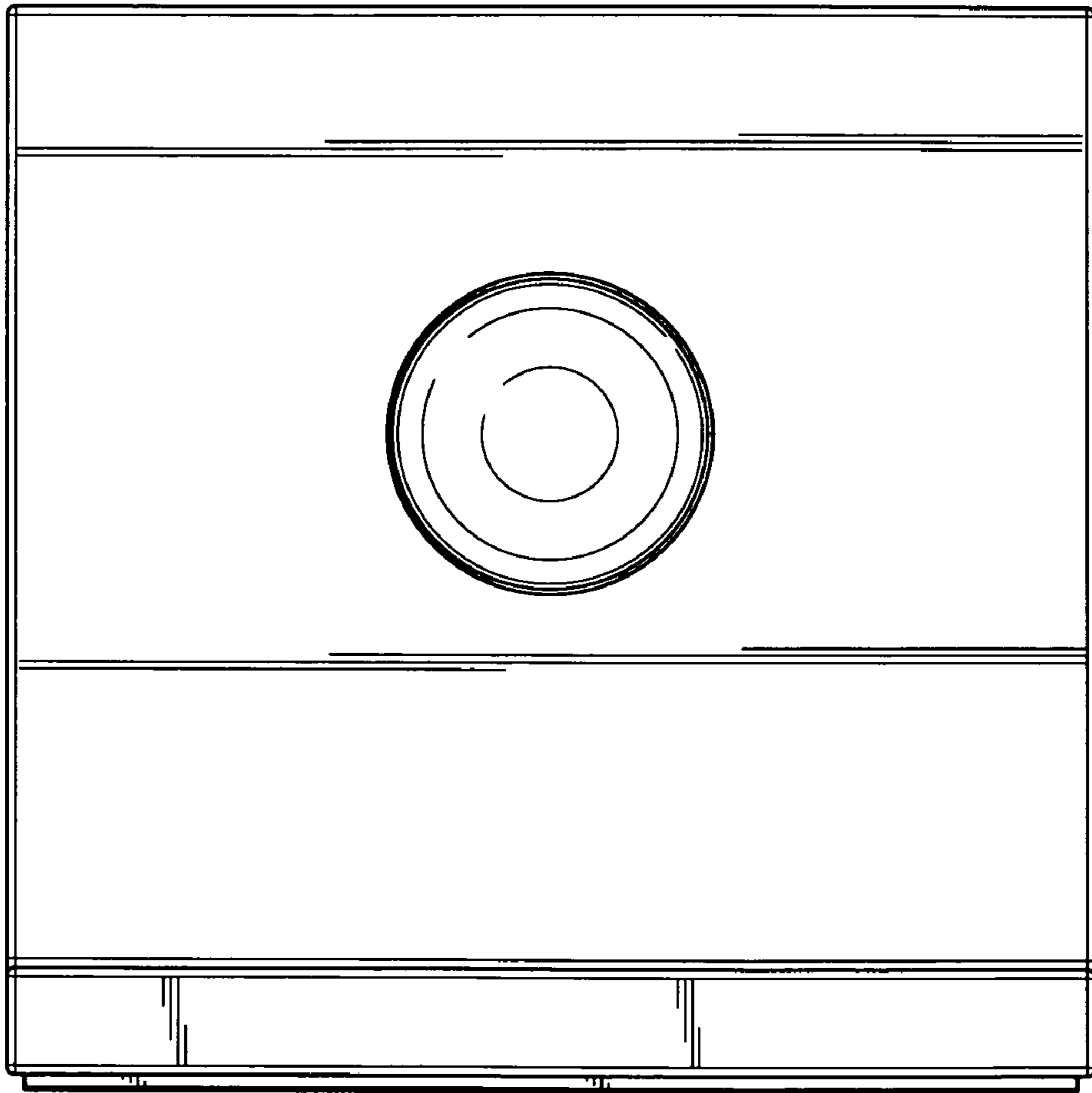


FIG. 2

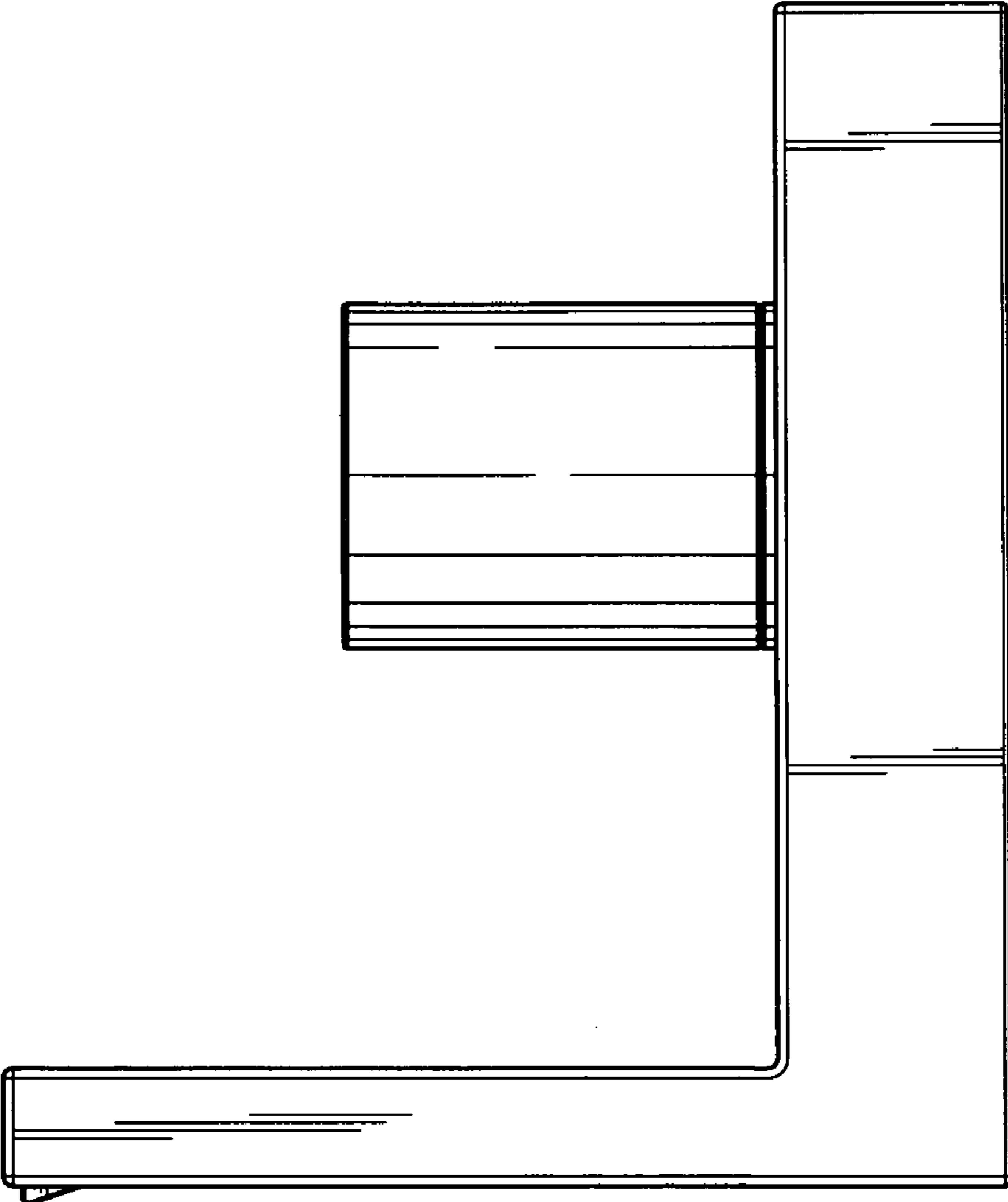


FIG. 3

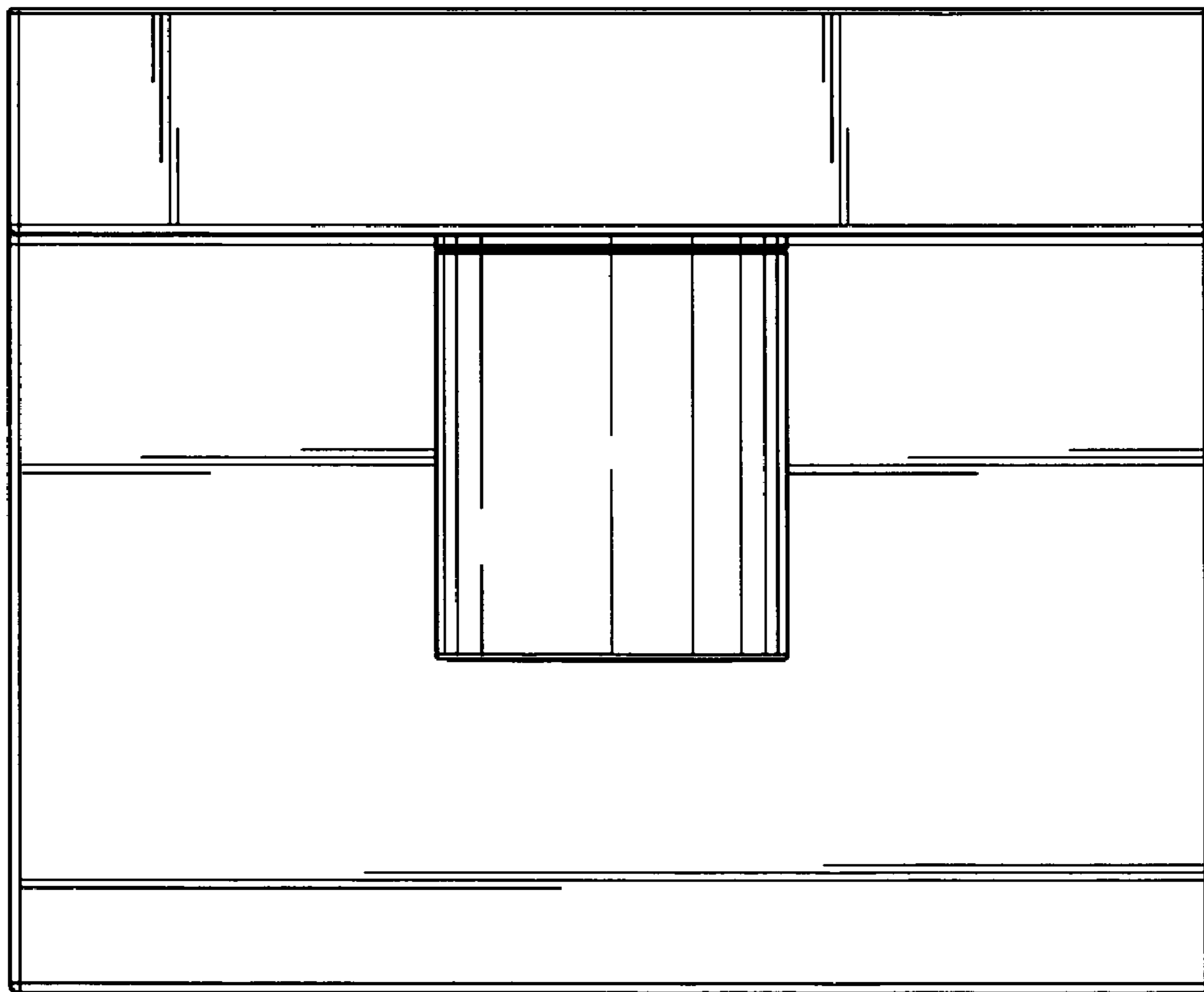


FIG. 4

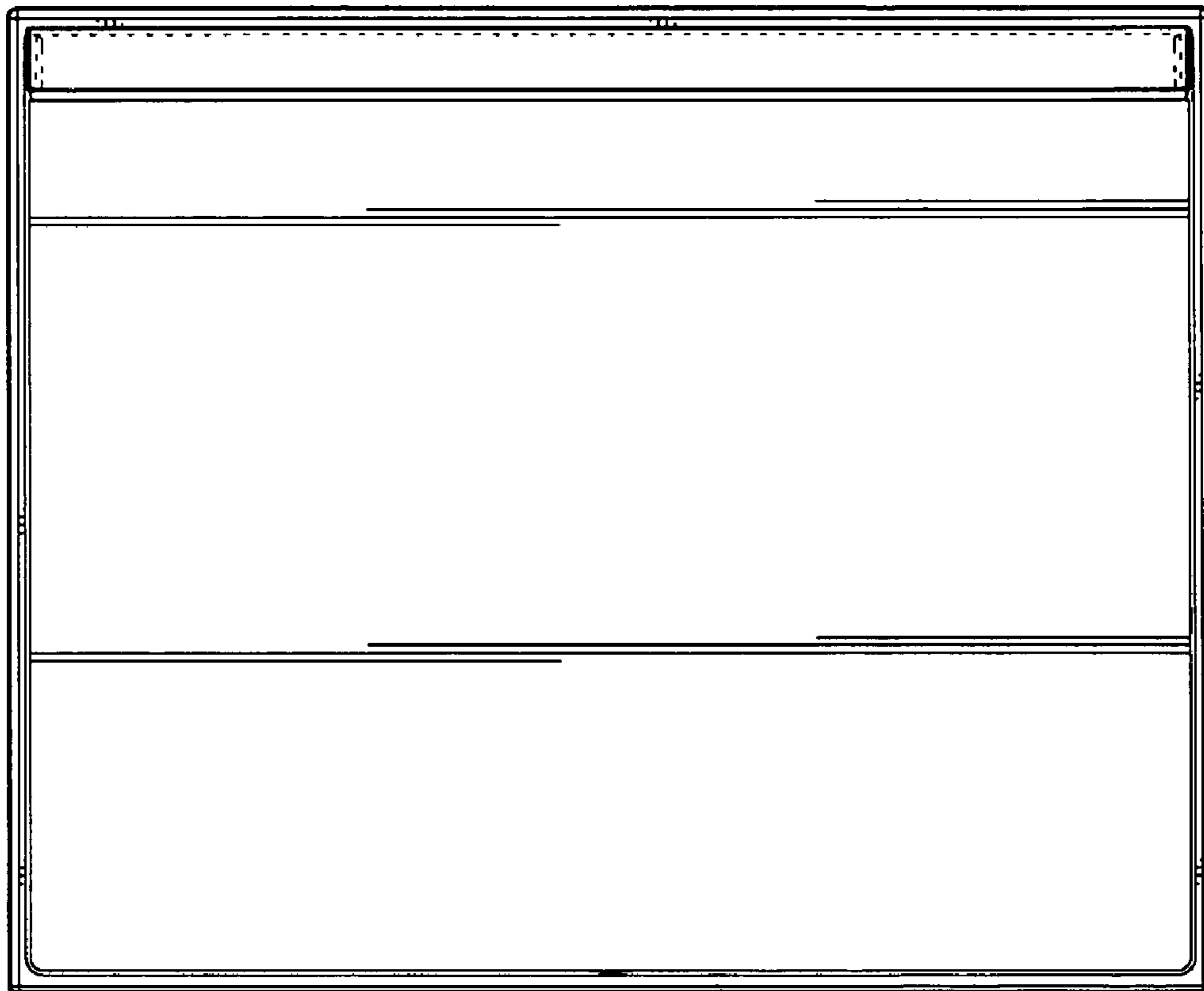


FIG. 5