

US00D596709S

(12) **United States Design Patent**
Hanada et al.

(10) **Patent No.:** **US D596,709 S**
(45) **Date of Patent:** **** Jul. 21, 2009**

(54) **VALVE**

(75) Inventors: **Toshihiro Hanada**, Nobeoka (JP);
Takeshi Hamada, Nobeoka (JP)

(73) Assignee: **Asahi Organic Chemicals Industry Co., Ltd.**, Nobeoka-Shi, Miyazaki (JP)

(**) Term: **14 Years**

(21) Appl. No.: **29/302,491**

(22) Filed: **Jan. 17, 2008**

(30) **Foreign Application Priority Data**

Nov. 30, 2007 (JP) 2007-032963

(51) **LOC (9) Cl.** **23-01**

(52) **U.S. Cl.** **D23/233**

(58) **Field of Classification Search** D23/233-237,
D23/244-249; 251/597.13, 596.16, 331,
251/219, 15, 130, 129.04; 137/554, 557,
137/560, 882, 884, 861, 269, 270, 271.343,
137/625.64

See application file for complete search history.

(56) **References Cited**

U.S. PATENT DOCUMENTS

5,086,803 A * 2/1992 Nakajima 137/270
5,388,608 A * 2/1995 Hara 137/343
2003/0155024 A1 * 8/2003 Hanada et al. 137/861

2005/0072481 A1 * 4/2005 Hanada et al. 137/884

FOREIGN PATENT DOCUMENTS

JP D1239771 5/2005

* cited by examiner

Primary Examiner—Joel A. Sincavage

Assistant Examiner—Maurice Stevens

(74) *Attorney, Agent, or Firm*—Buchanan Ingersoll & Rooney PC

(57) **CLAIM**

The ornamental design for a valve, as shown and described.

DESCRIPTION

FIG. 1 is a front perspective view of a valve showing our new design;

FIG. 2 is a rear perspective view thereof;

FIG. 3 is a front elevational view thereof;

FIG. 4 is a rear elevational view thereof;

FIG. 5 is a left side elevational view thereof;

FIG. 6 is a right side elevational view thereof;

FIG. 7 is a top plan view thereof; and,

FIG. 8 is a bottom plan view thereof.

The broken lines are for illustrative purposes only and form no part of the claimed design.

1 Claim, 4 Drawing Sheets

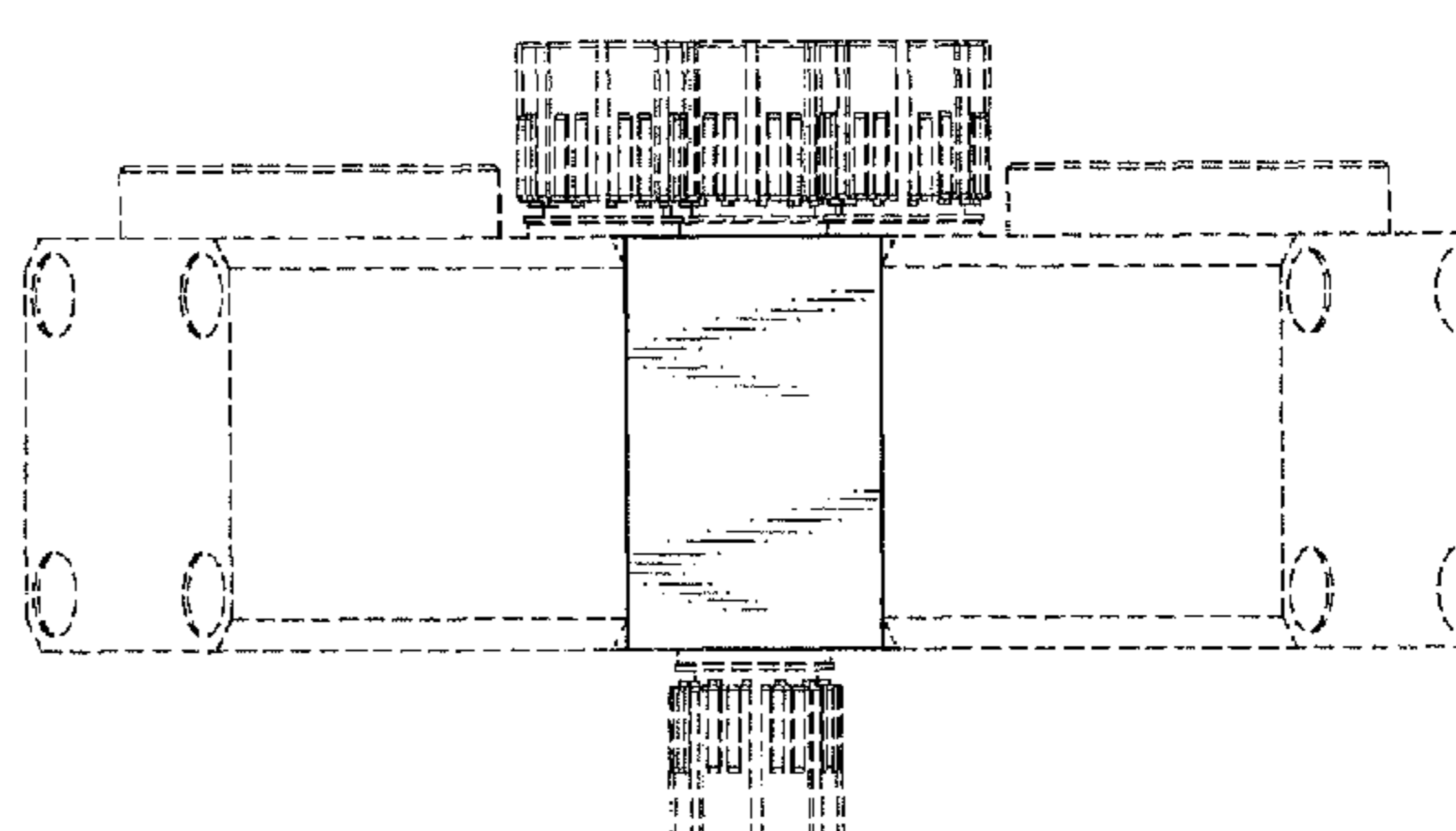
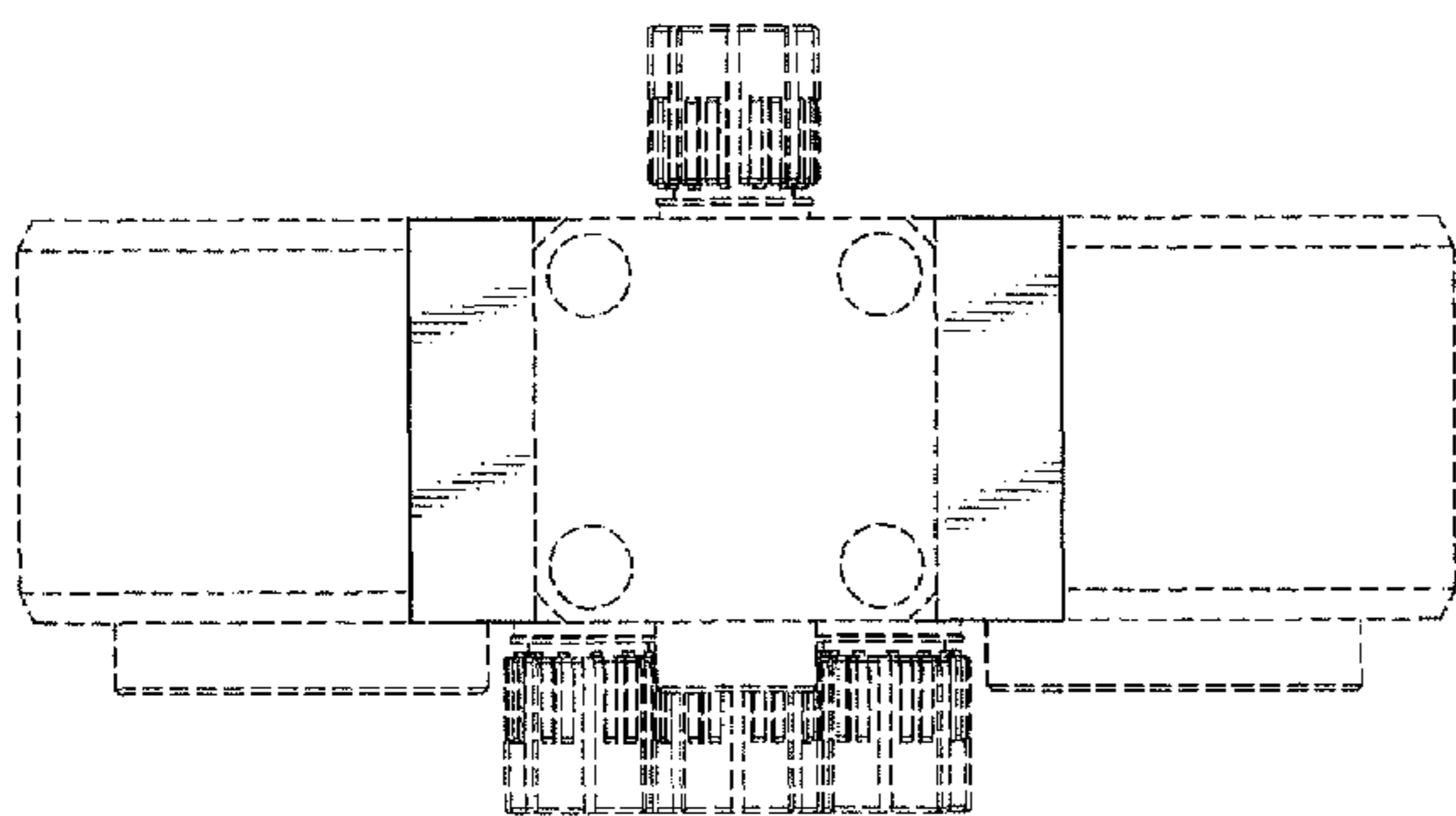


Fig.1

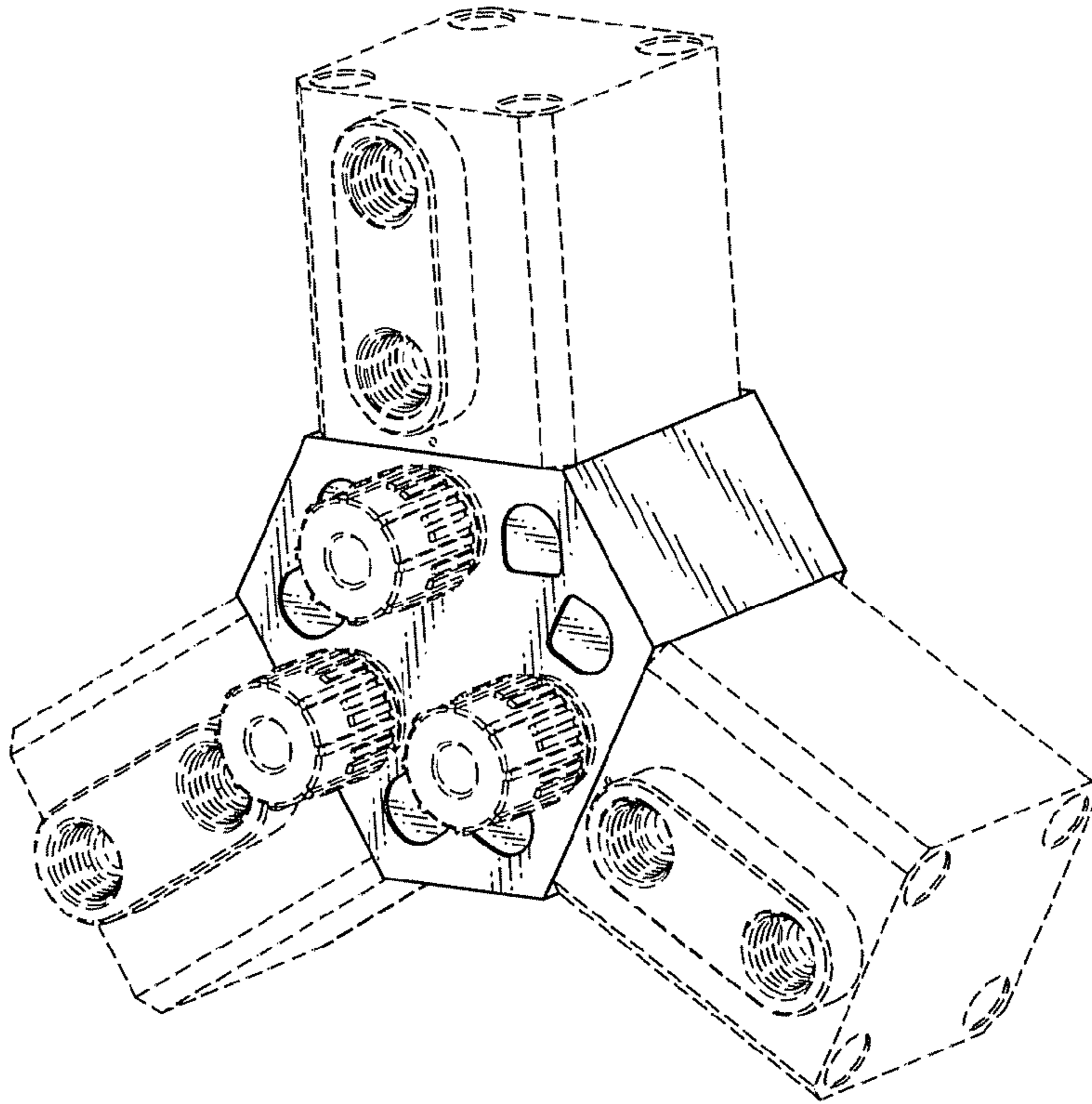


Fig.2

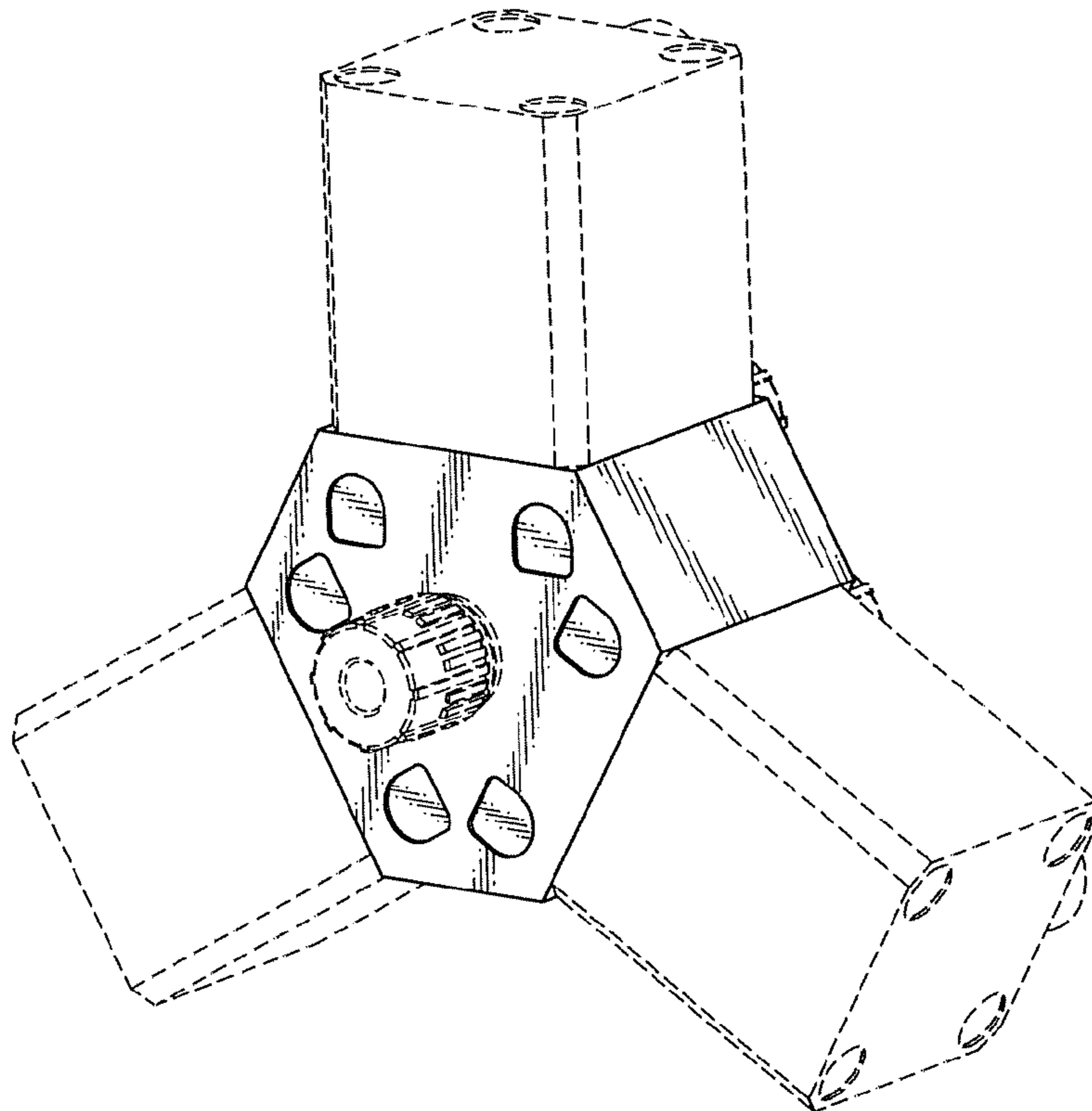


Fig.3

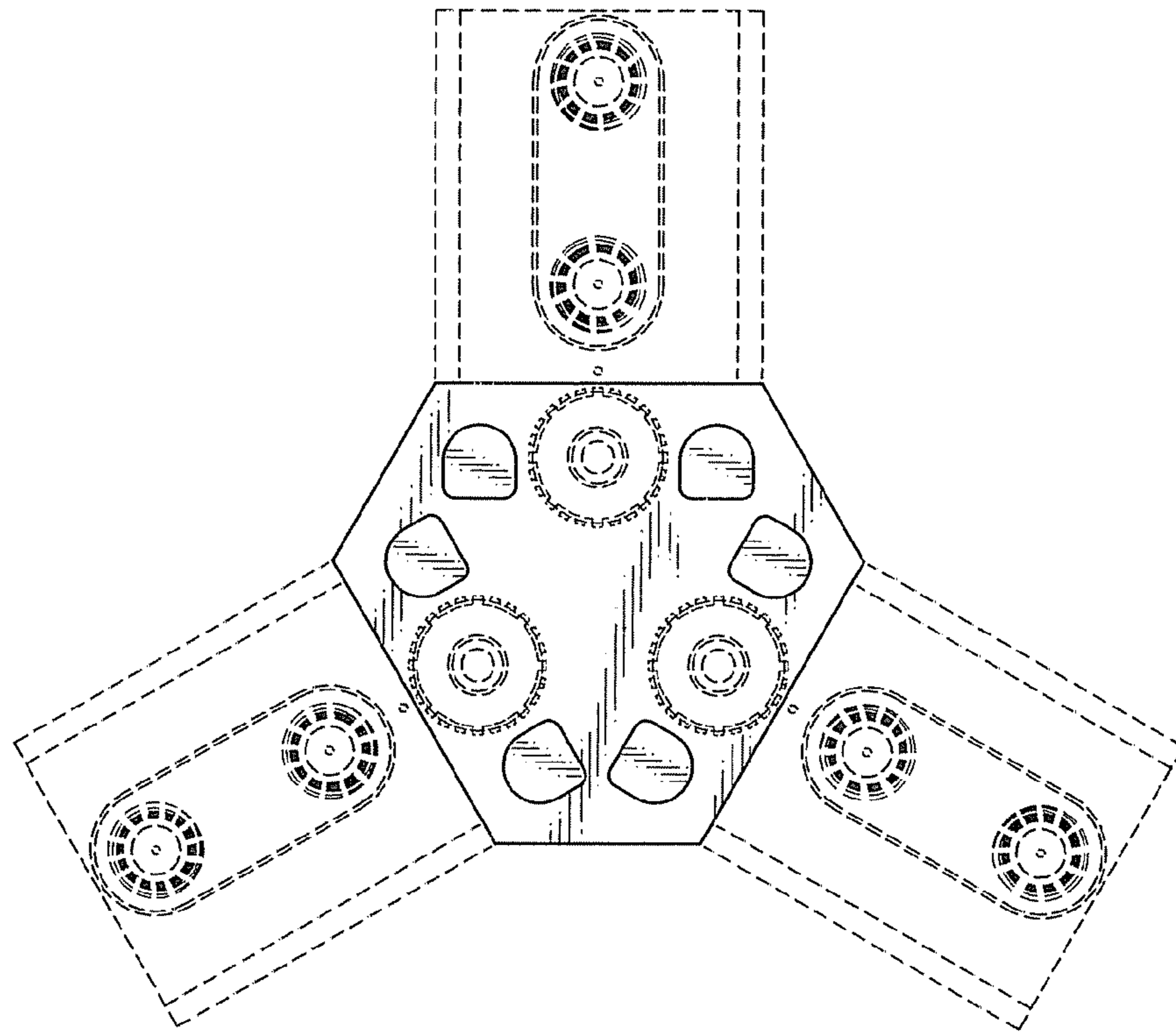


Fig. 4

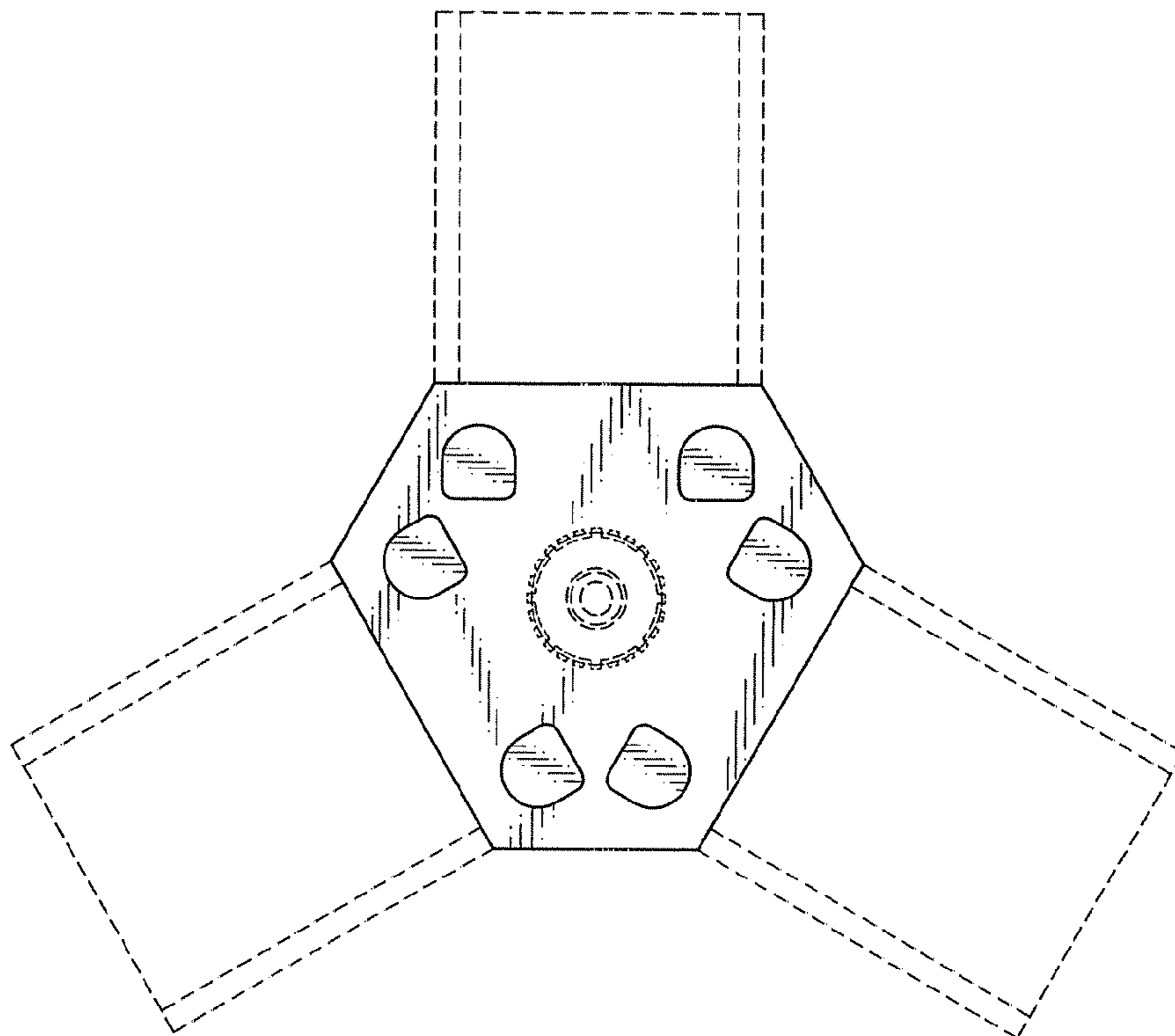


Fig.5

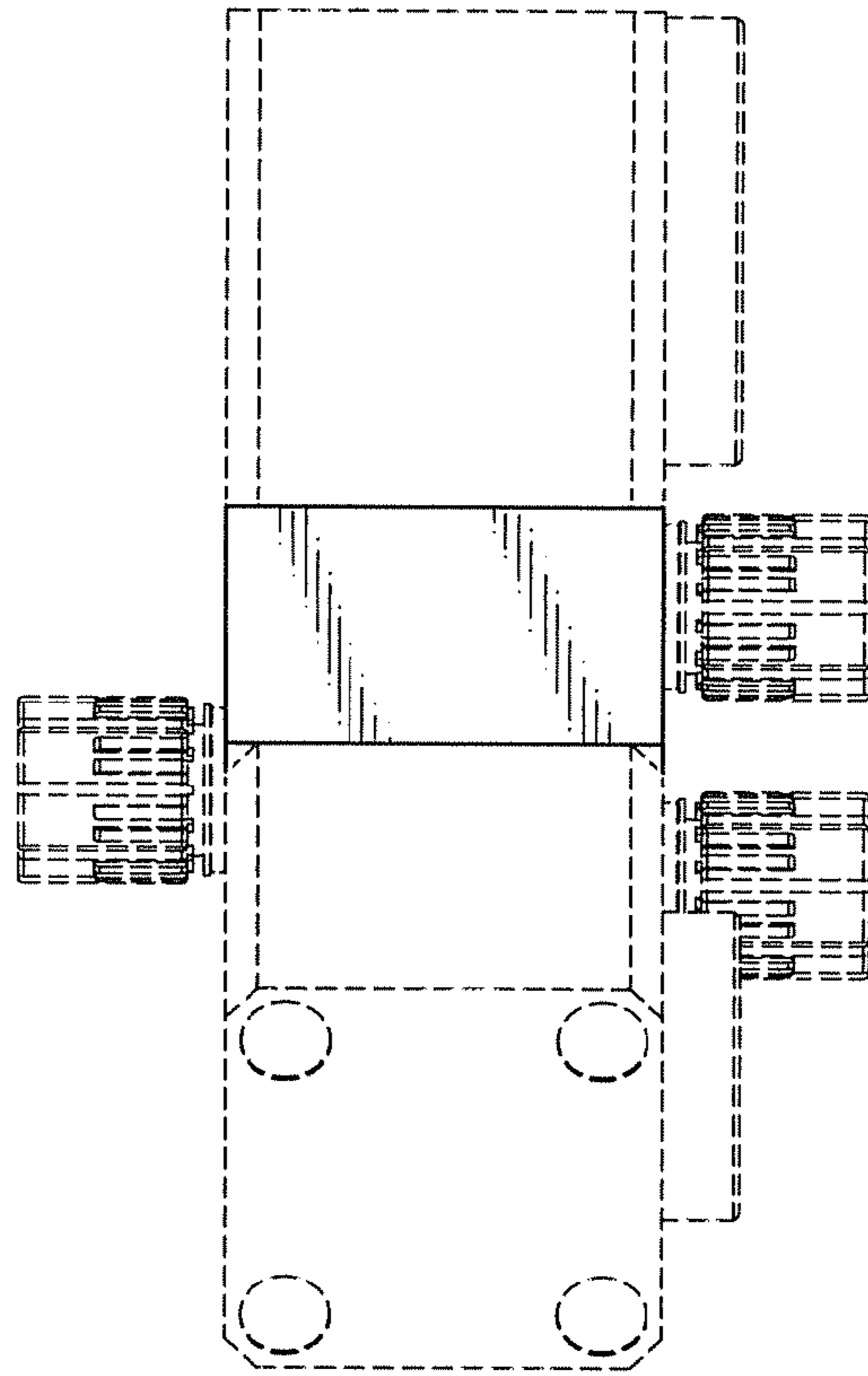


Fig.6

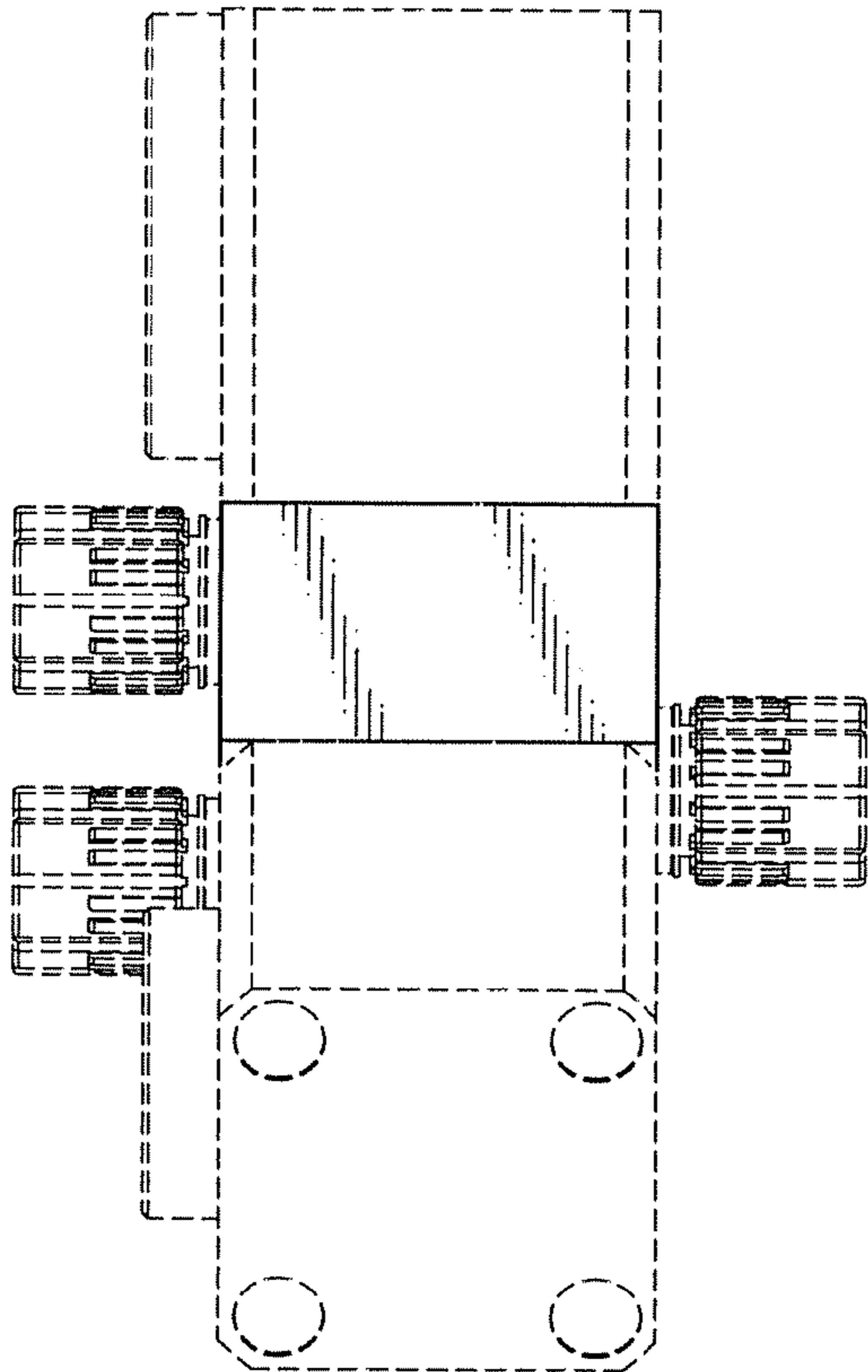


Fig.7

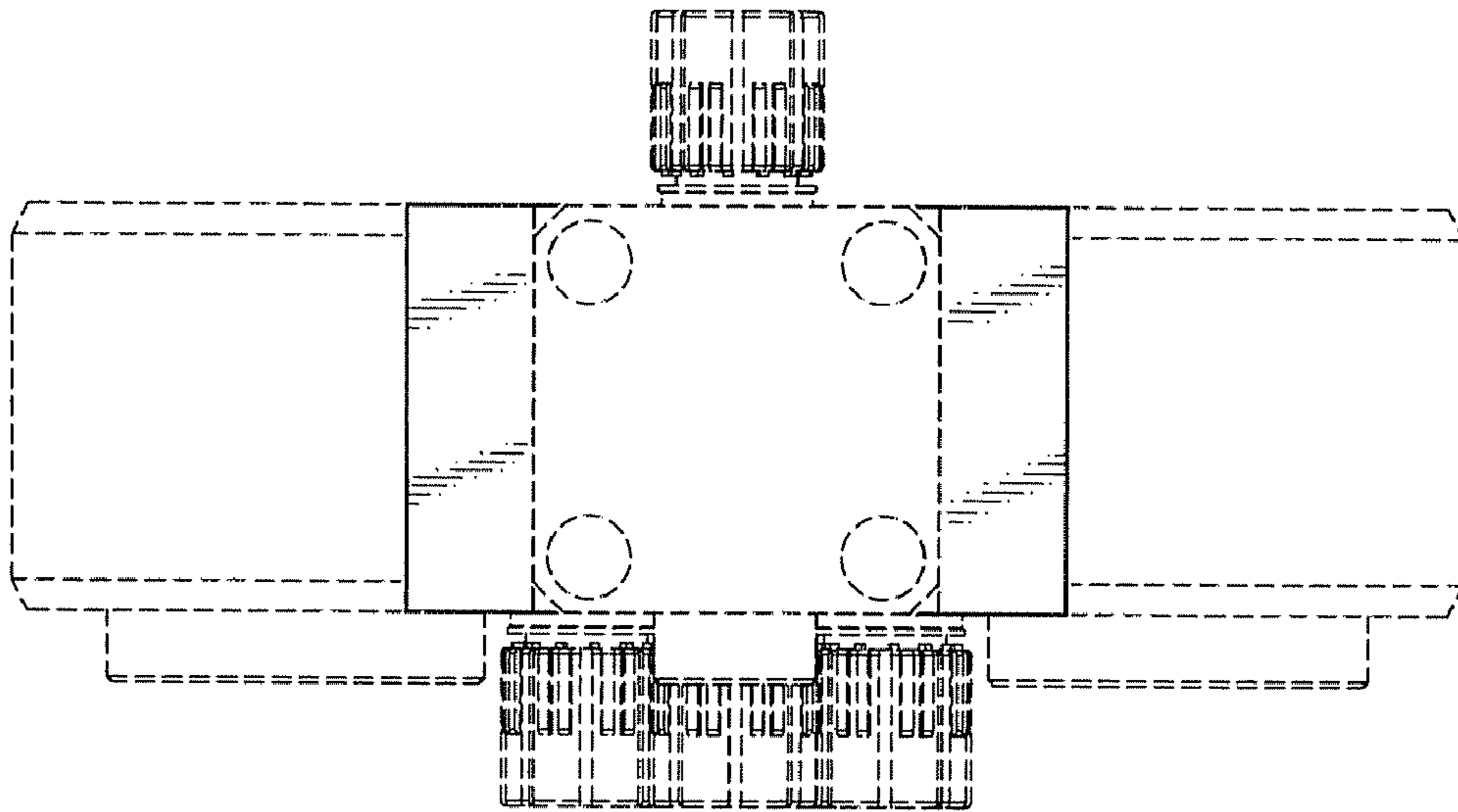


Fig.8

