

US00D596706S

(12) **United States Design Patent**  
**Gundersen et al.**

(10) **Patent No.:** **US D596,706 S**  
(45) **Date of Patent:** **\*\* Jul. 21, 2009**

(54) **PAINT SPRAYER**

(75) Inventors: **Robert J. Gundersen**, Otsego, MN  
(US); **Albert W. Lubenow**, Dalbo, MN  
(US); **Dale C. Pemberton**, Big Lake,  
MN (US)

(73) Assignee: **Graco Minnesota Inc.**, Minneapolis,  
MN (US)

(\*\*) Term: **14 Years**

(21) Appl. No.: **29/328,526**

(22) Filed: **Nov. 25, 2008**

(51) **LOC (9) Cl.** ..... **23-01**

(52) **U.S. Cl.** ..... **D23/225**

(58) **Field of Classification Search** ..... D23/213,  
D23/225; 239/332, 333, 302, 308, 146, 147,  
239/150

See application file for complete search history.

(56) **References Cited**

**U.S. PATENT DOCUMENTS**

3,940,065	A	2/1976	Ware et al.	
4,768,932	A	9/1988	Geberth, Jr.	
D306,477	S *	3/1990	Weiss	..... D23/225
D310,117	S	8/1990	Mariol	
5,292,232	A	3/1994	Krohn et al.	
5,441,297	A	8/1995	Krohn et al.	
5,567,323	A	10/1996	Harrison, Jr.	
D377,799	S	2/1997	Kruzel et al.	
5,622,480	A	4/1997	Walsh	
D384,676	S	10/1997	Cyphers et al.	
5,725,364	A	3/1998	Mirazita	

5,769,321	A	6/1998	Cyphers	
D435,048	S	12/2000	Breeser et al.	
6,435,846	B1	8/2002	Cooper et al.	
6,488,846	B1	12/2002	Marangi	
6,752,067	B1	6/2004	Davidson et al.	
7,071,429	B1	7/2006	Anderson et al.	
D526,045	S *	8/2006	Gundersen et al.	..... D23/225
D537,839	S	3/2007	Bruno et al.	
7,240,909	B2	7/2007	Robens	
D560,271	S	1/2008	Kesti et al.	
D580,515	S *	11/2008	Wrobel et al.	..... D23/225
D580,516	S *	11/2008	Mattson et al.	..... D23/225
D580,517	S *	11/2008	Mattson et al.	..... D23/225
7,497,389	B2 *	3/2009	Rioux	..... 239/332

\* cited by examiner

*Primary Examiner*—Robin V Webster

(74) *Attorney, Agent, or Firm*—Douglas B. Farrow

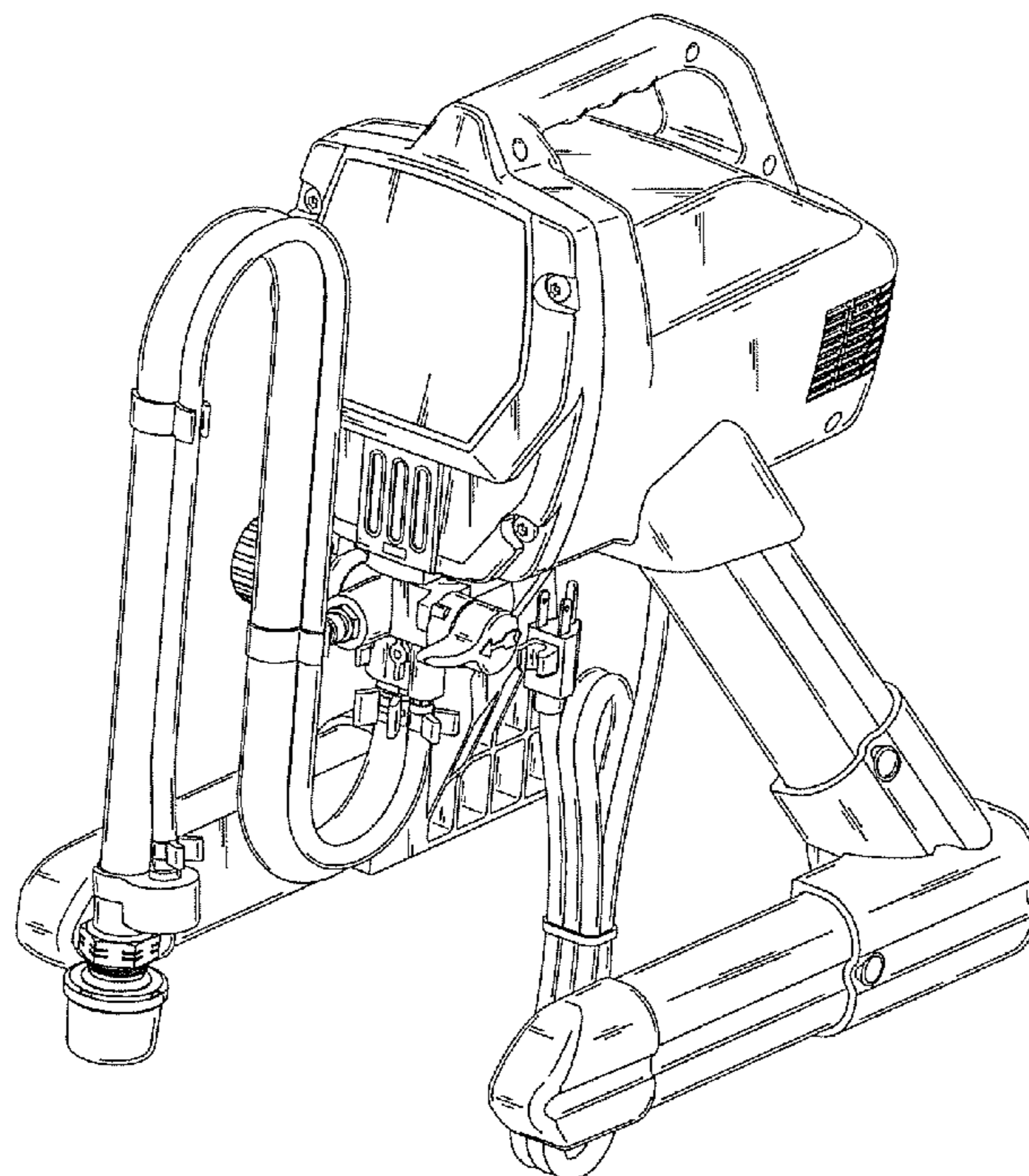
(57) **CLAIM**

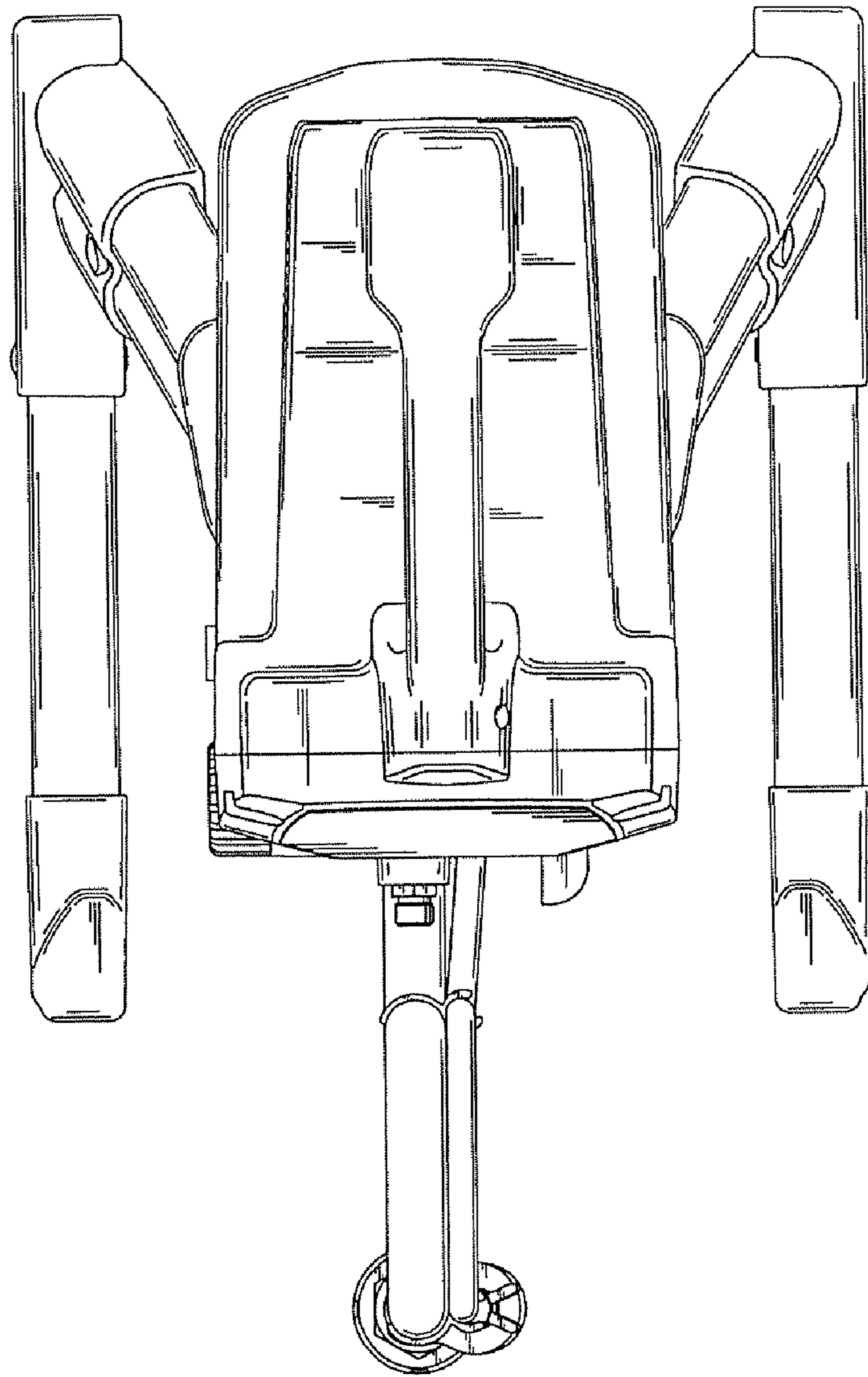
The ornamental design for the paint sprayer, as shown and described.

**DESCRIPTION**

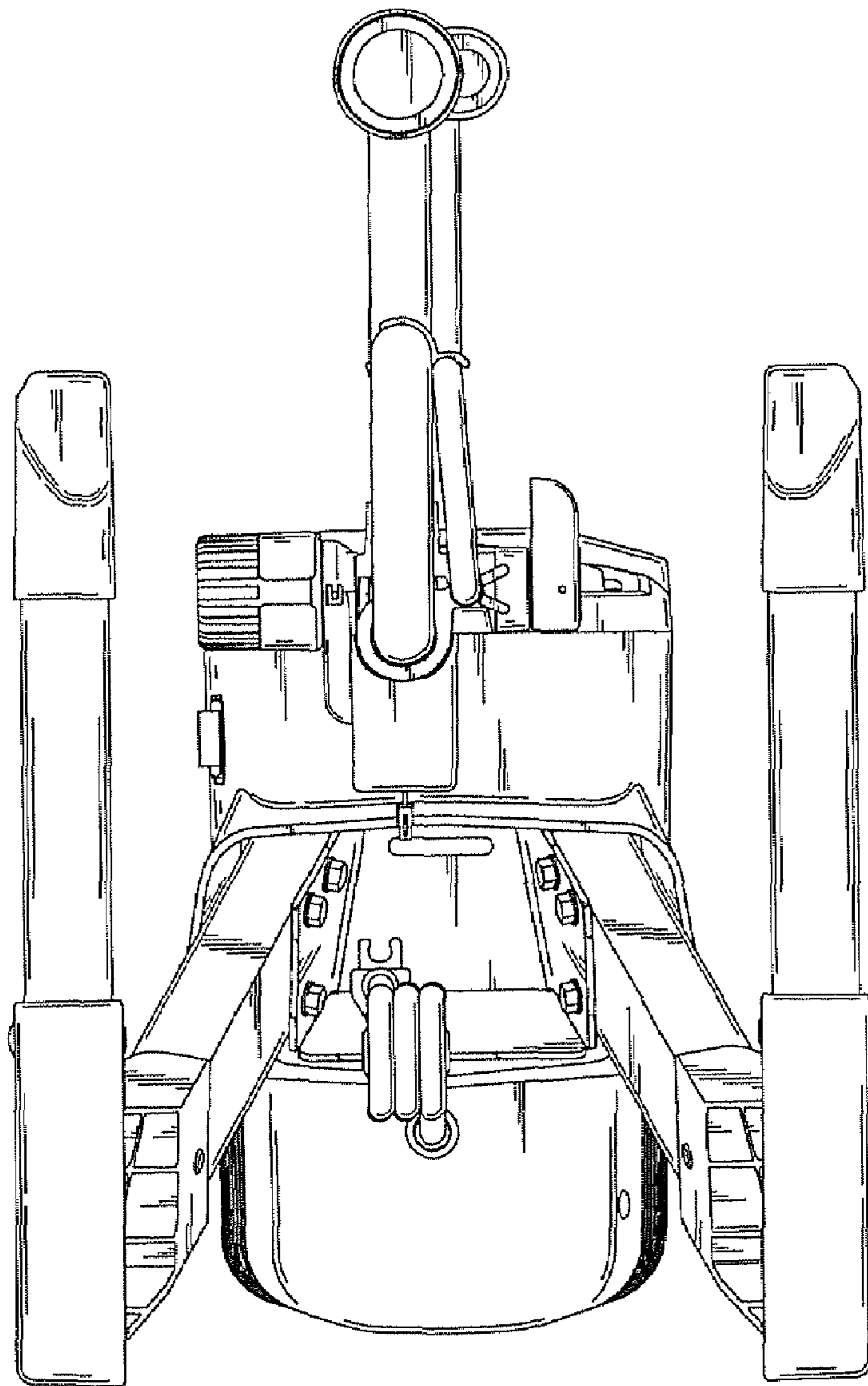
FIG. 1 is a top elevation view of the paint sprayer;  
FIG. 2 is a bottom elevation view thereof;  
FIG. 3 is a left side elevation view thereof;  
FIG. 4 is a right side elevation view thereof;  
FIG. 5 is a front elevation view thereof;  
FIG. 6 is a rear elevation view thereof; and,  
FIG. 7 is a front perspective view thereof.

**1 Claim, 7 Drawing Sheets**

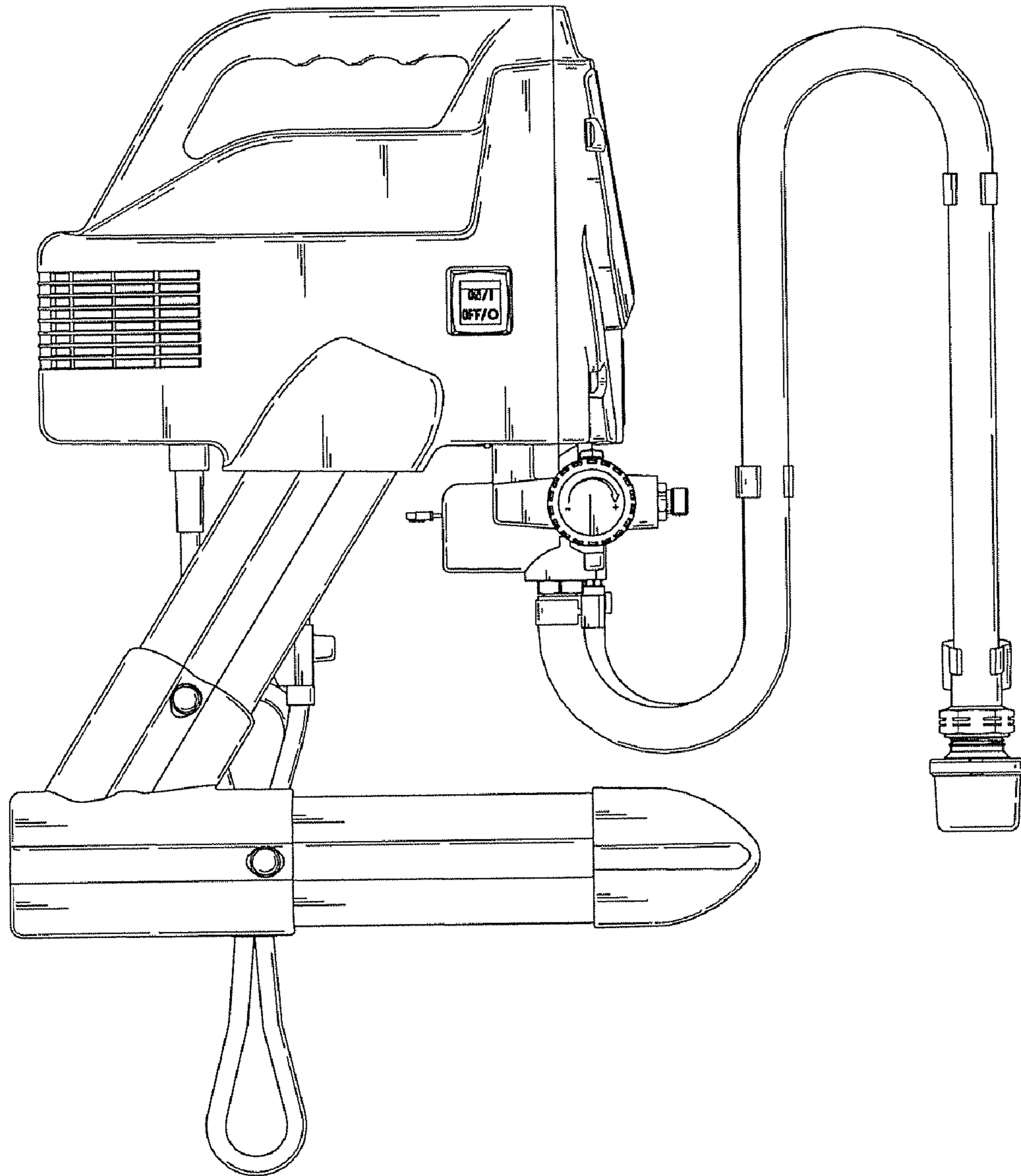




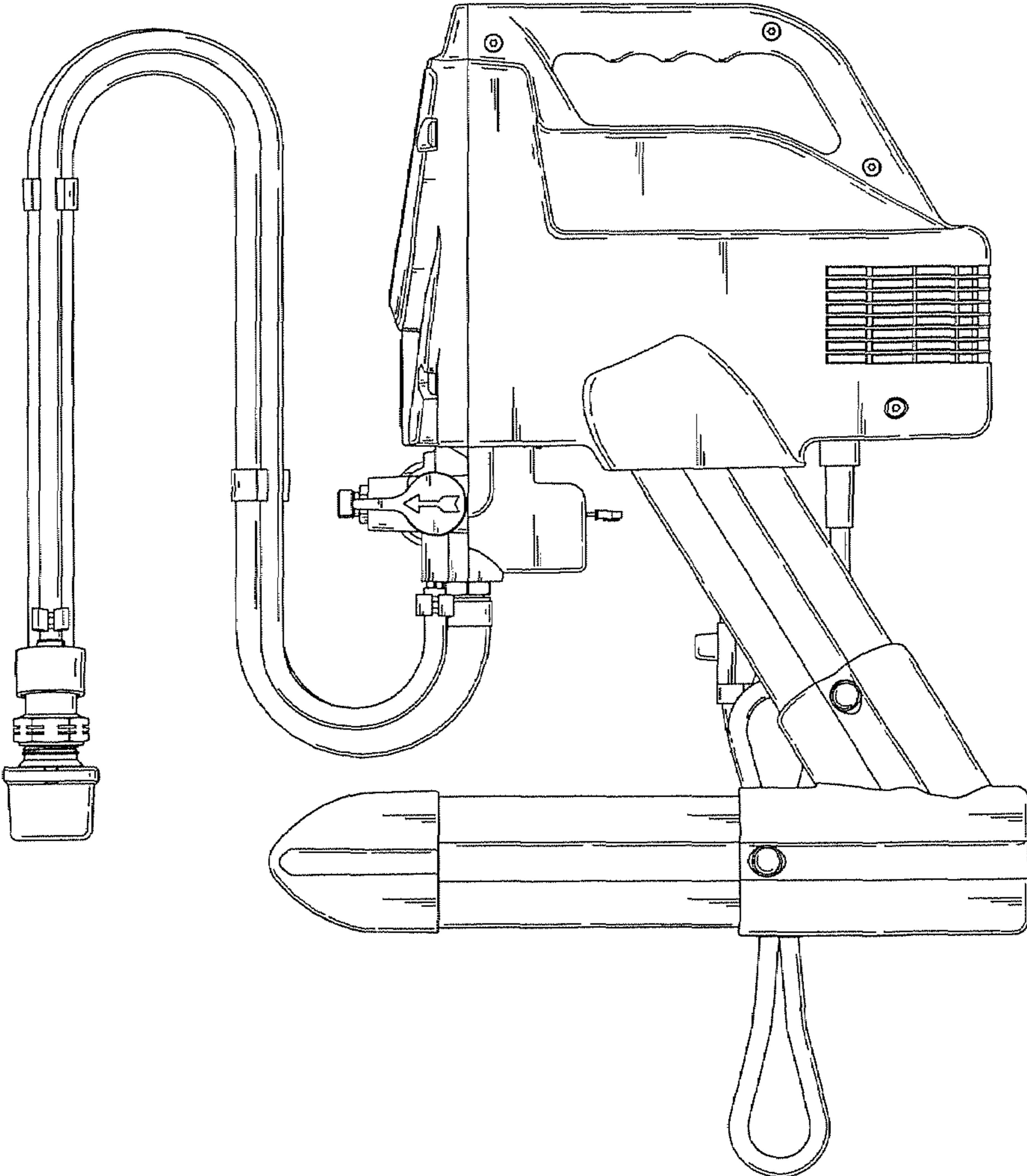
***FIG. 1***



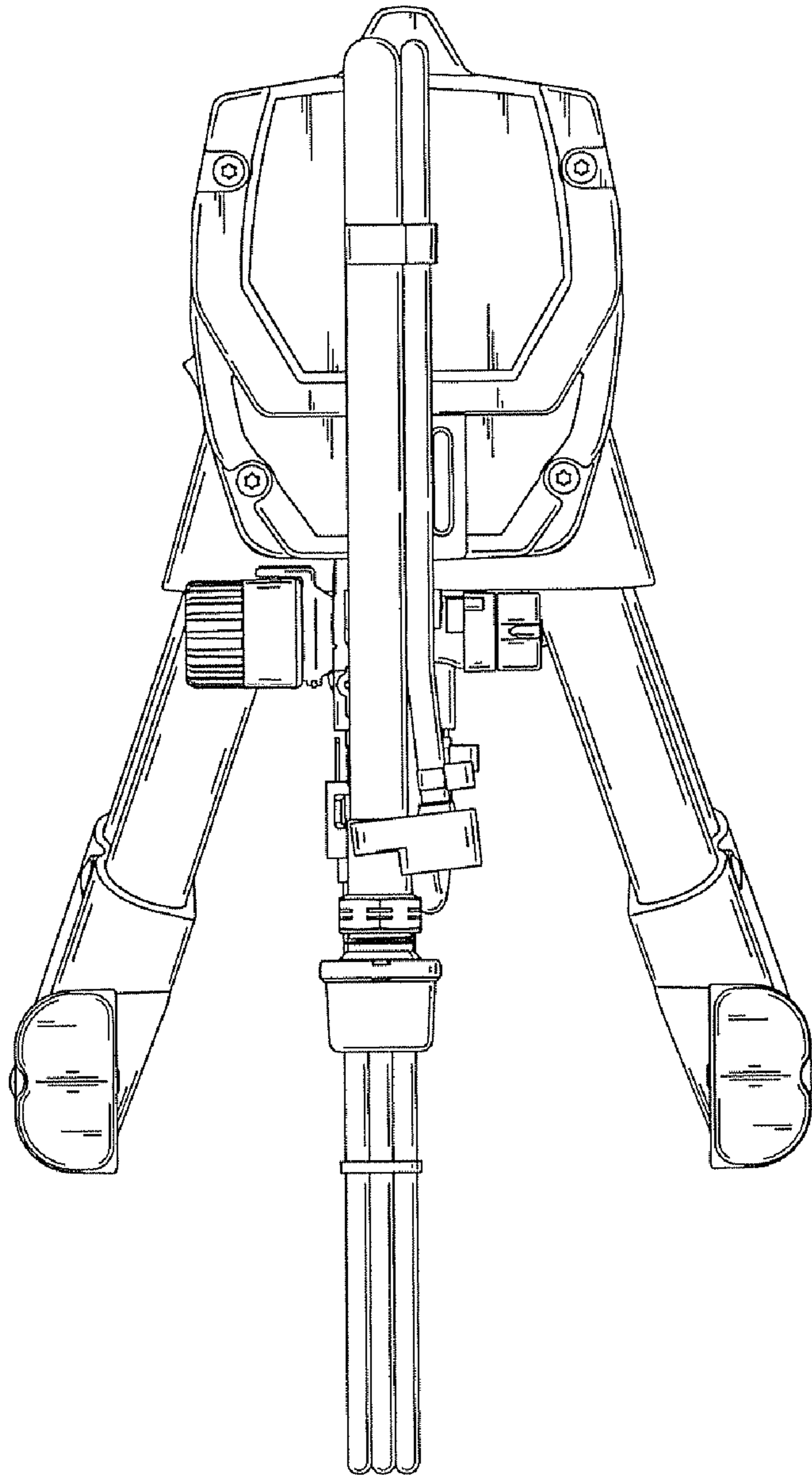
**FIG. 2**



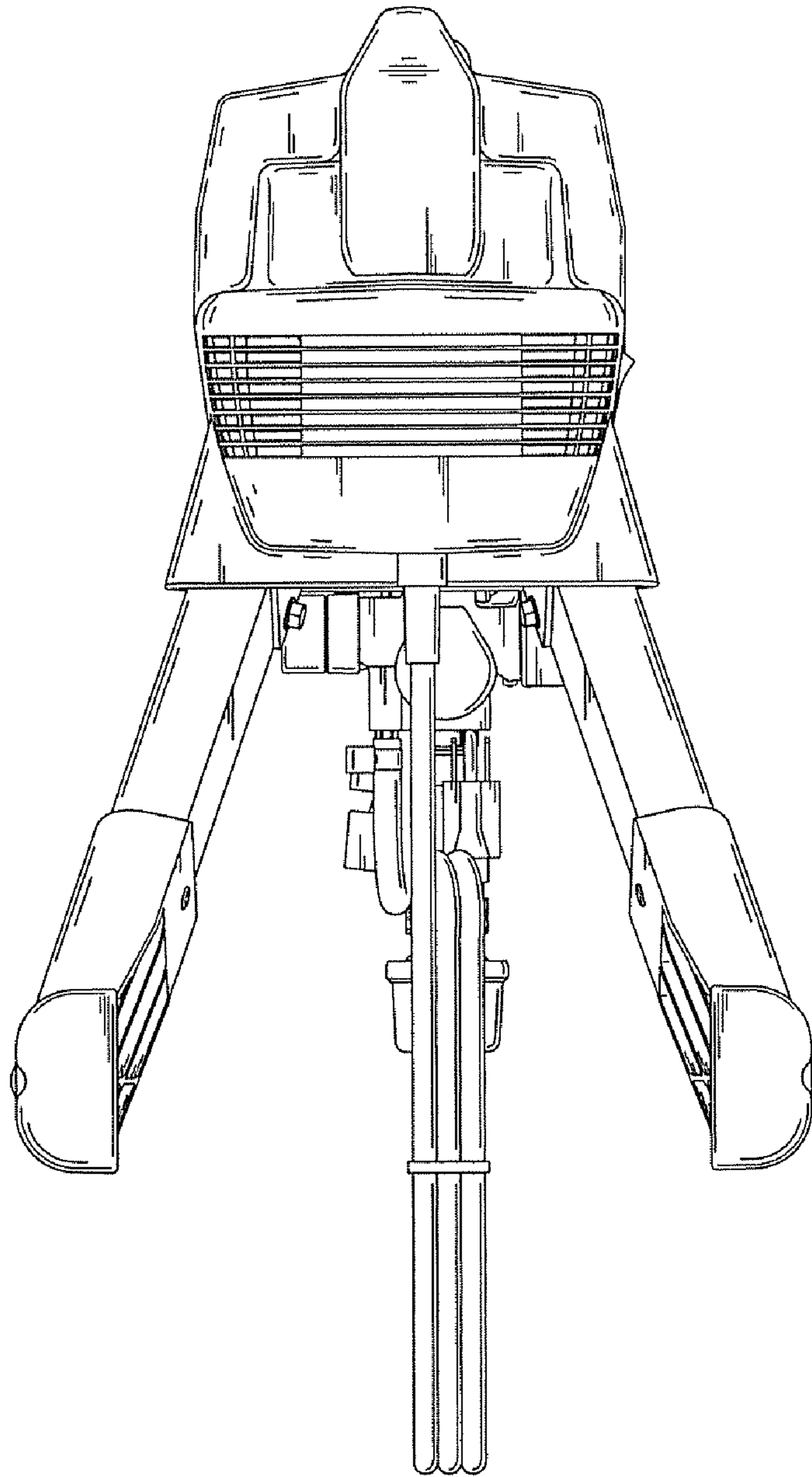
**FIG. 3**



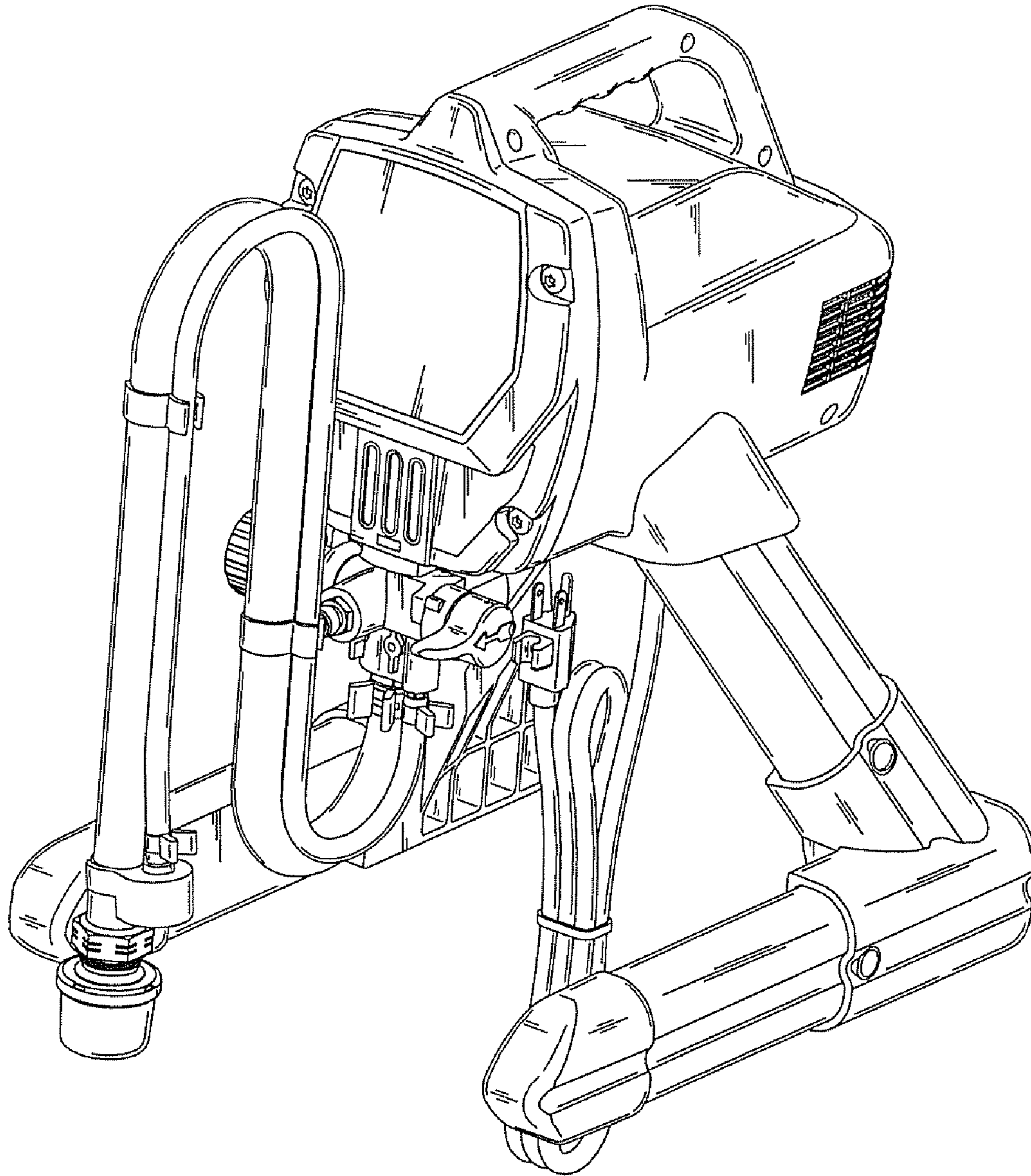
**FIG. 4**



**FIG. 5**



**FIG. 6**



**FIG. 7**