



US00D596705S

(12) **United States Design Patent**
Gaston et al.

(10) **Patent No.:** **US D596,705 S**
(45) **Date of Patent:** **** Jul. 21, 2009**

(54) **FAUCET MOUNT HOUSING**

(75) Inventors: **Johannes Nikolai Gaston**, Minnetonka, MN (US); **Douglas James VanOrnum**, Minnetonka, MN (US); **Jason Alan Born**, Loveland, OH (US); **Richard Paul Riedel**, Mason, OH (US); **William Joseph Cruzen**, Monticello, MN (US)

(73) Assignee: **PuR Water Purification Products, Inc.**, Cincinnati, OH (US)

(**) Term: **14 Years**

(21) Appl. No.: **29/329,564**

(22) Filed: **Dec. 17, 2008**

Related U.S. Application Data

(62) Division of application No. 29/250,521, filed on Nov. 17, 2006, now Pat. No. Des. 586,880.

(51) **LOC (9) Cl.** **23-01**

(52) **U.S. Cl.** **D23/209**

(58) **Field of Classification Search** D23/207-209;
210/460, 461, 449, 235

See application file for complete search history.

(56) **References Cited**

U.S. PATENT DOCUMENTS

5,928,504 A * 7/1999 Hembre et al. 210/88
5,976,362 A * 11/1999 Wadsworth et al. 210/87
6,123,837 A * 9/2000 Wadsworth et al. 210/87
D438,592 S * 3/2001 Gaston et al. D23/209
D453,952 S * 2/2002 Gaston et al. D23/209

D484,567 S * 12/2003 Gaston et al. D23/209
D533,622 S * 12/2006 Ross et al. D23/209
D542,374 S * 5/2007 Green et al. D23/209
2004/0129617 A1 * 7/2004 Tanner et al. 210/110
2005/0035054 A1 * 2/2005 Chu 210/449
2005/0098485 A1 * 5/2005 Boyd et al. 210/87
2006/0032795 A1 * 2/2006 Warren et al. 210/87
2006/0207920 A1 * 9/2006 Lackey et al. 210/87
2006/0266683 A1 * 11/2006 Sung 210/198.1

* cited by examiner

Primary Examiner—T. Chase Nelson

Assistant Examiner—Ania K Dworzecka

(74) *Attorney, Agent, or Firm*—Kelly L. McDow; Andrew A. Paul

(57) **CLAIM**

The ornamental design for a faucet mount housing, as shown and described.

DESCRIPTION

FIG. 1 is a perspective view of a faucet mount housing illustrating our new design;

FIG. 2 is a front side elevational view of the design of FIG. 1;

FIG. 3 is a back side elevational view of the design of FIG. 1;

FIG. 4 is a left side elevational view of the design of FIG. 1;

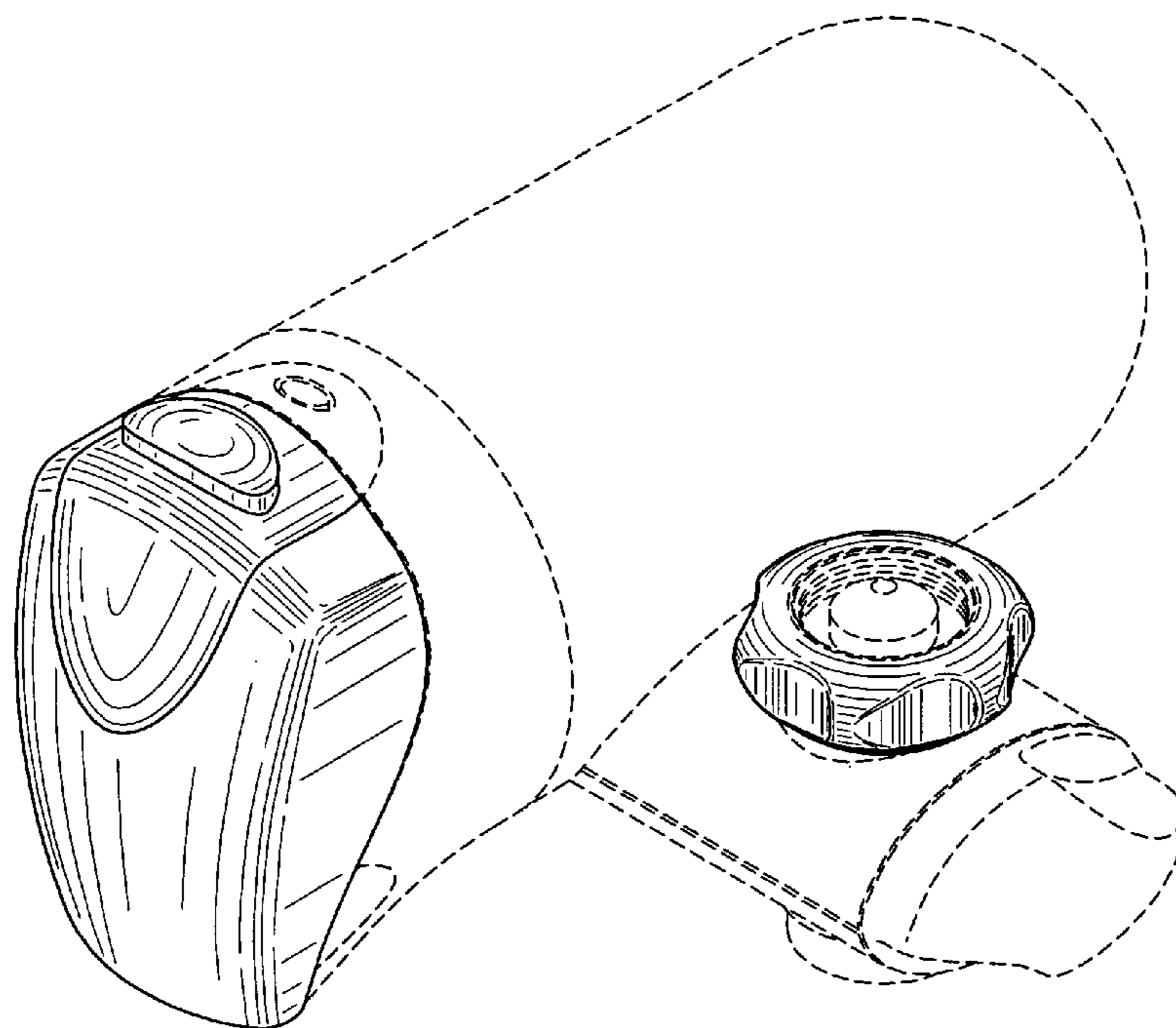
FIG. 5 is a right side elevational view of the design of FIG. 1;

FIG. 6 is a top planar view of the design of FIG. 1; and,

FIG. 7 is a bottom planar view of the design of FIG. 1.

In the drawings, the broken lines depict environmental subject matter only and form no part of the claimed design.

1 Claim, 6 Drawing Sheets



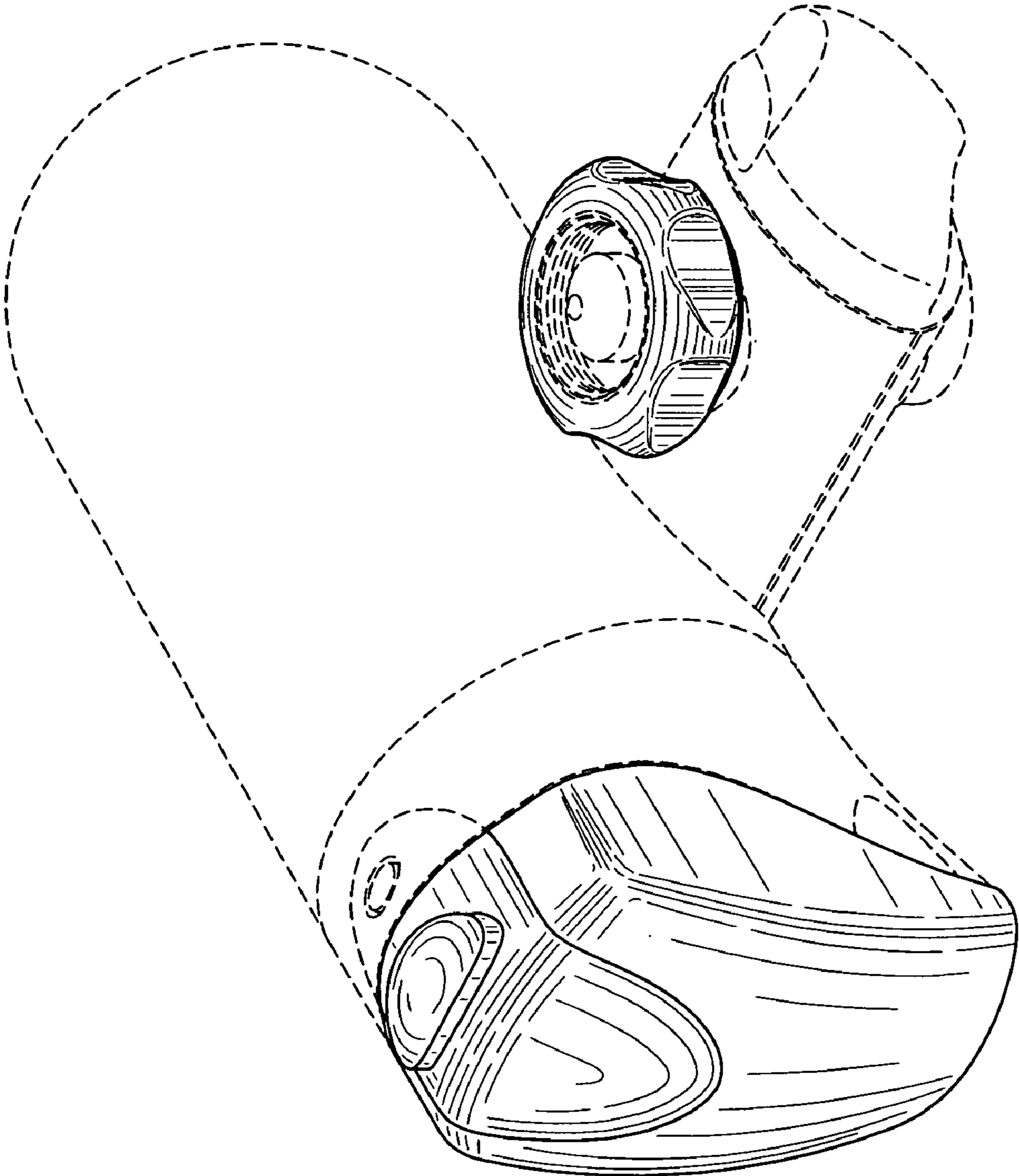


Fig. 1

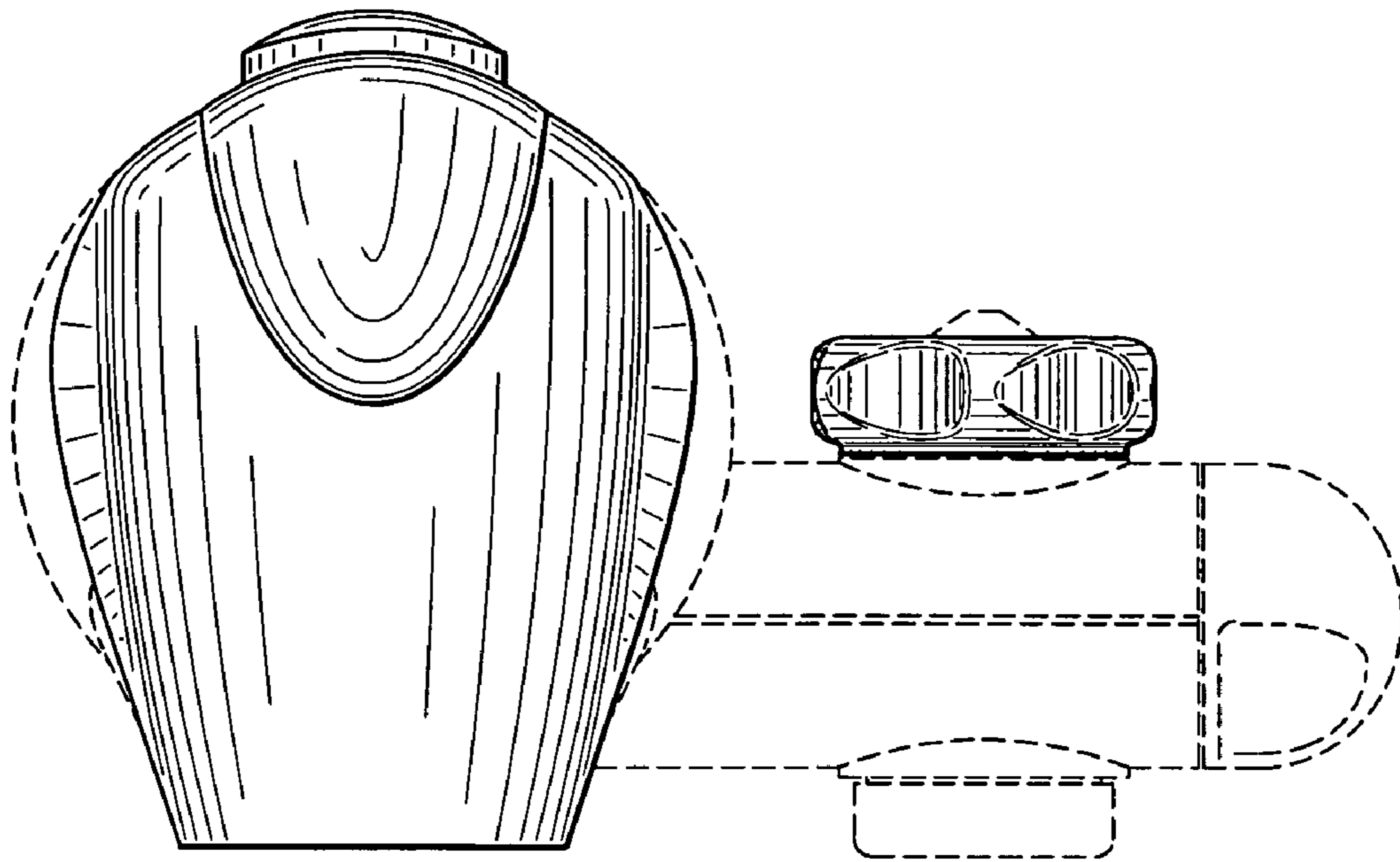


Fig. 2

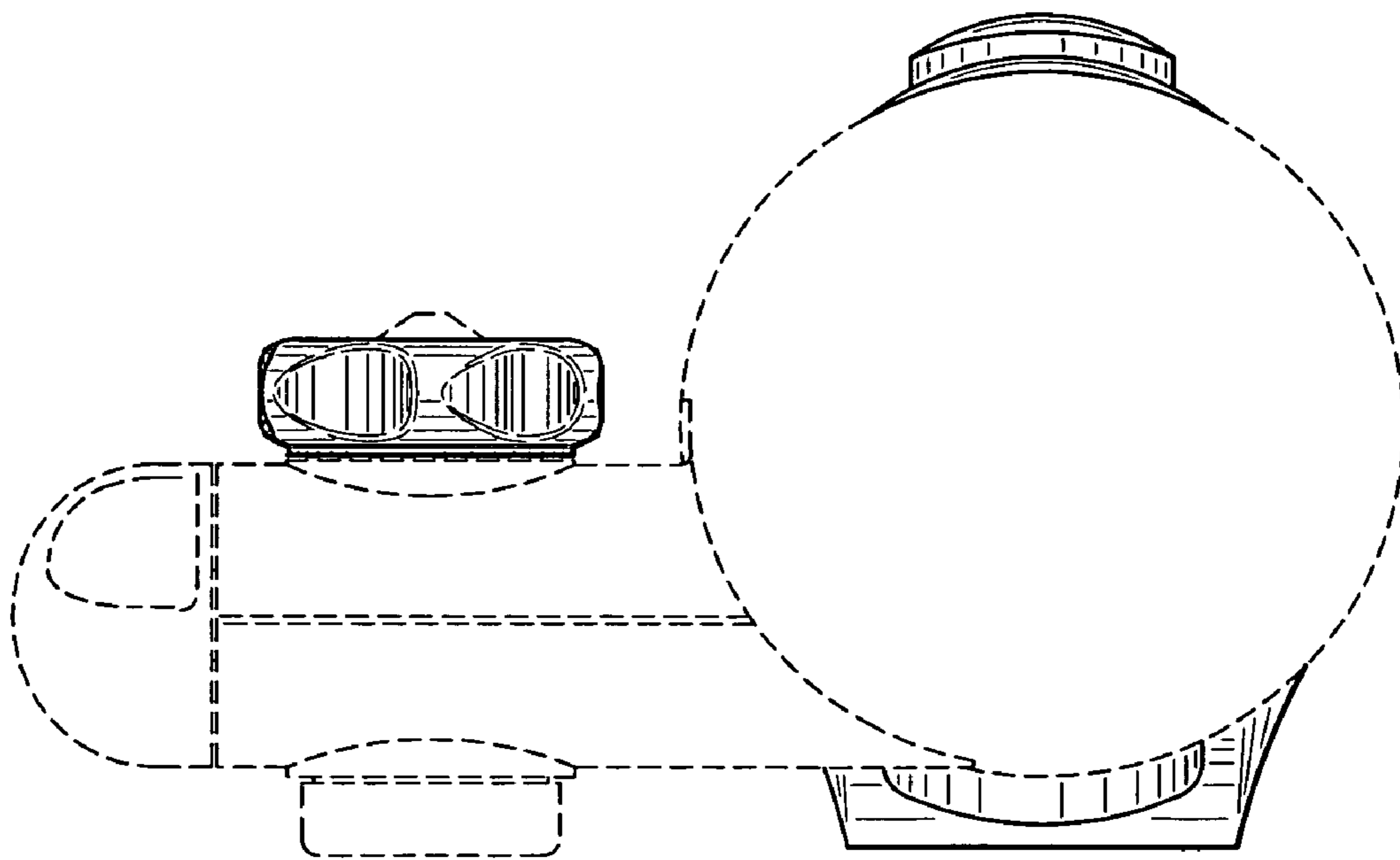


Fig. 3

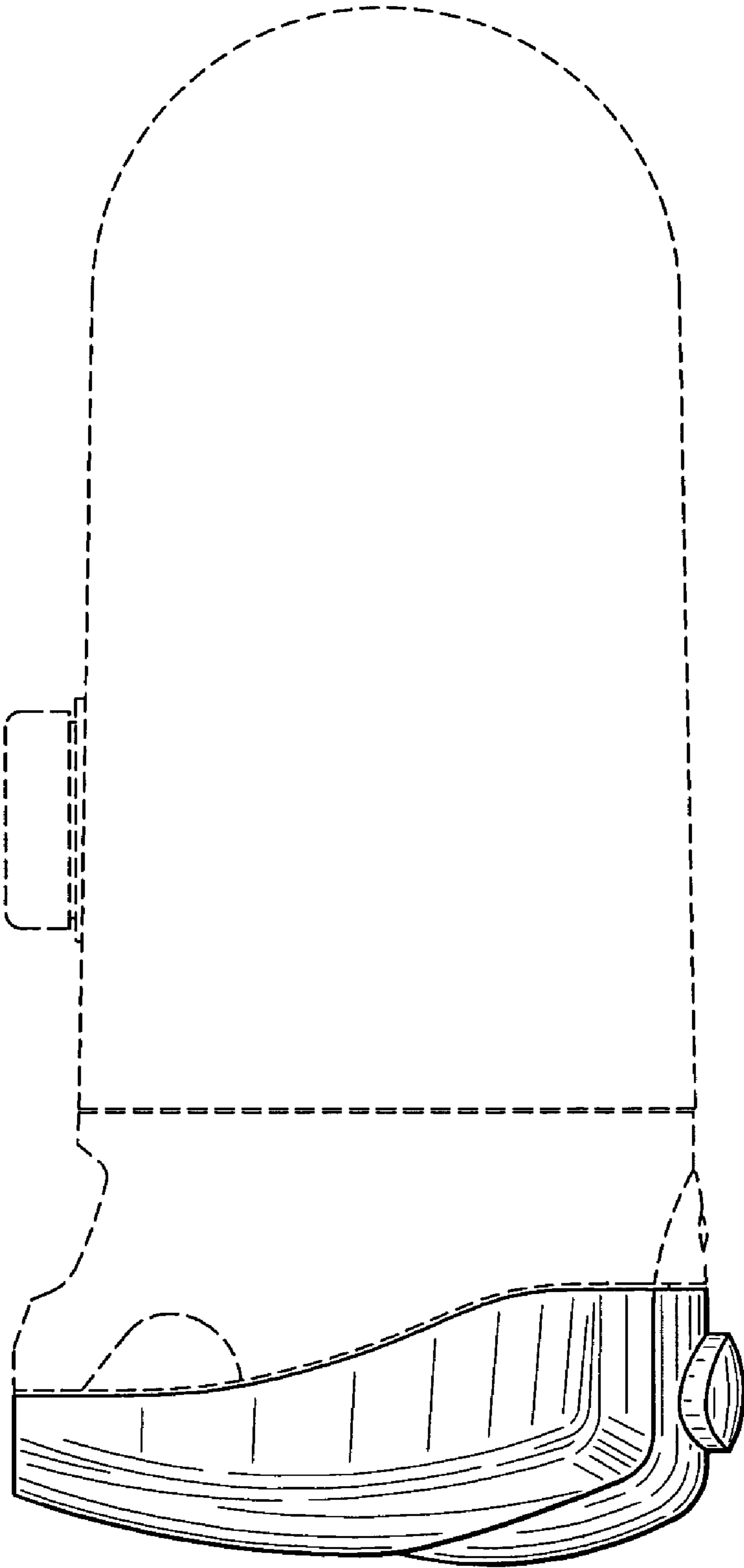


Fig. 4

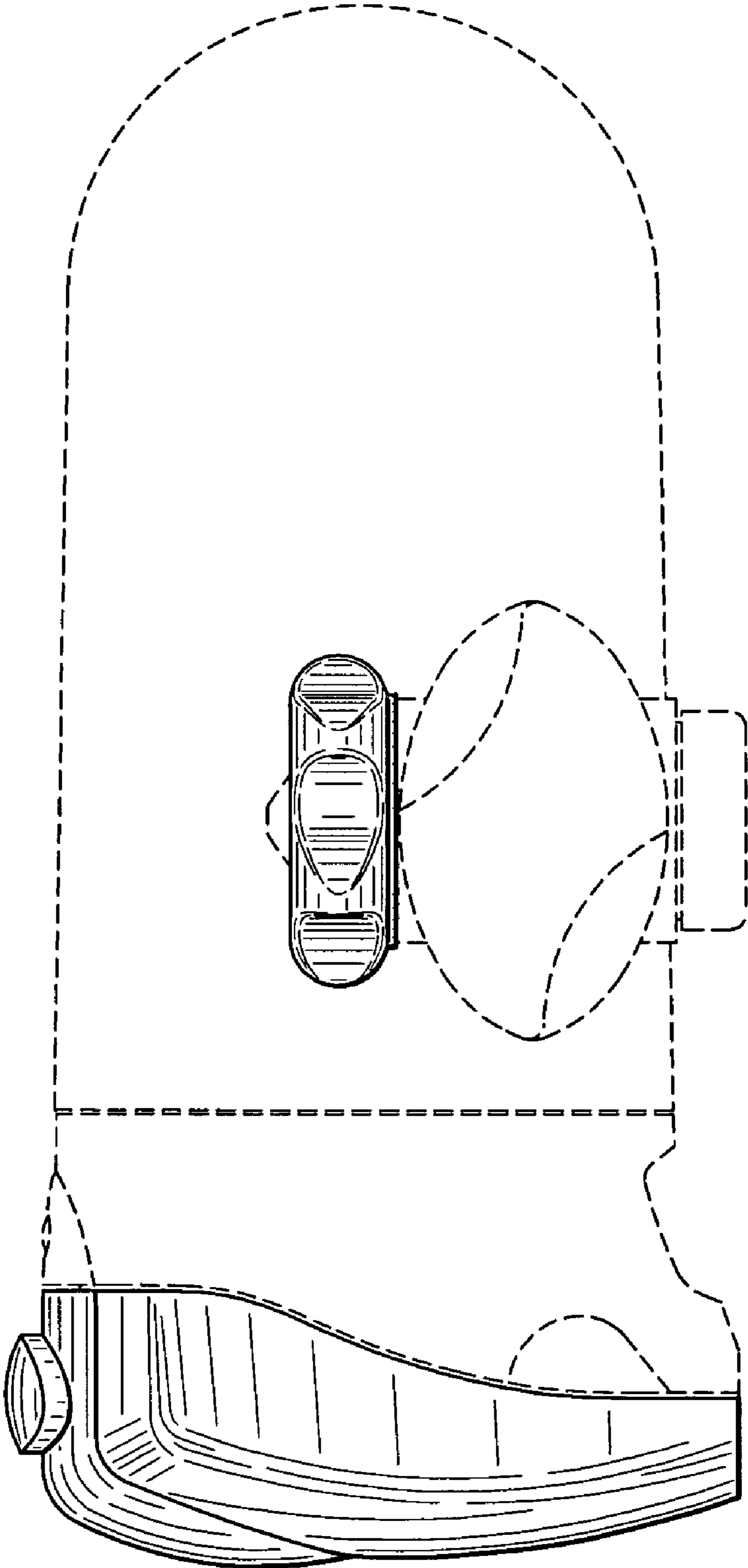


Fig. 5

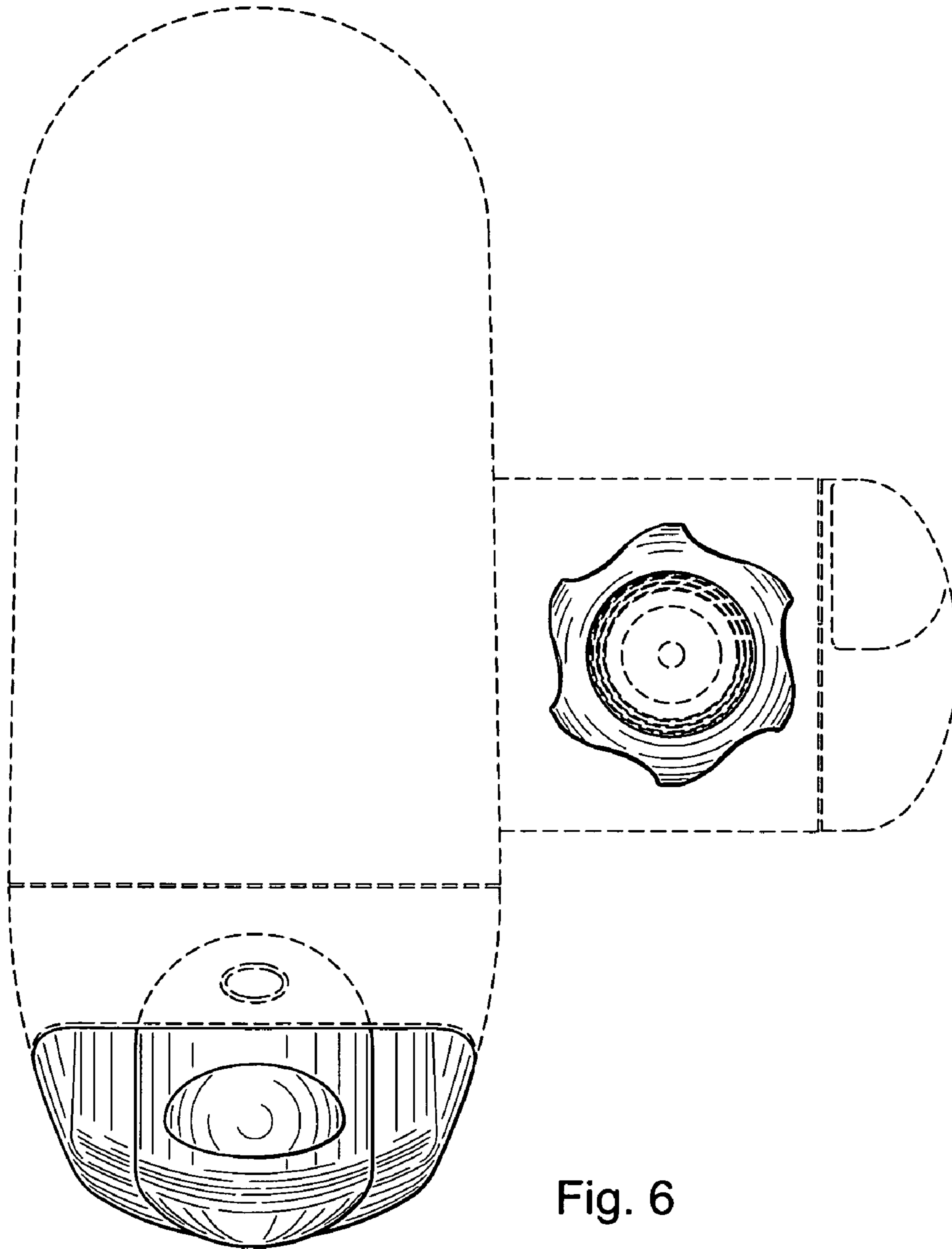


Fig. 6

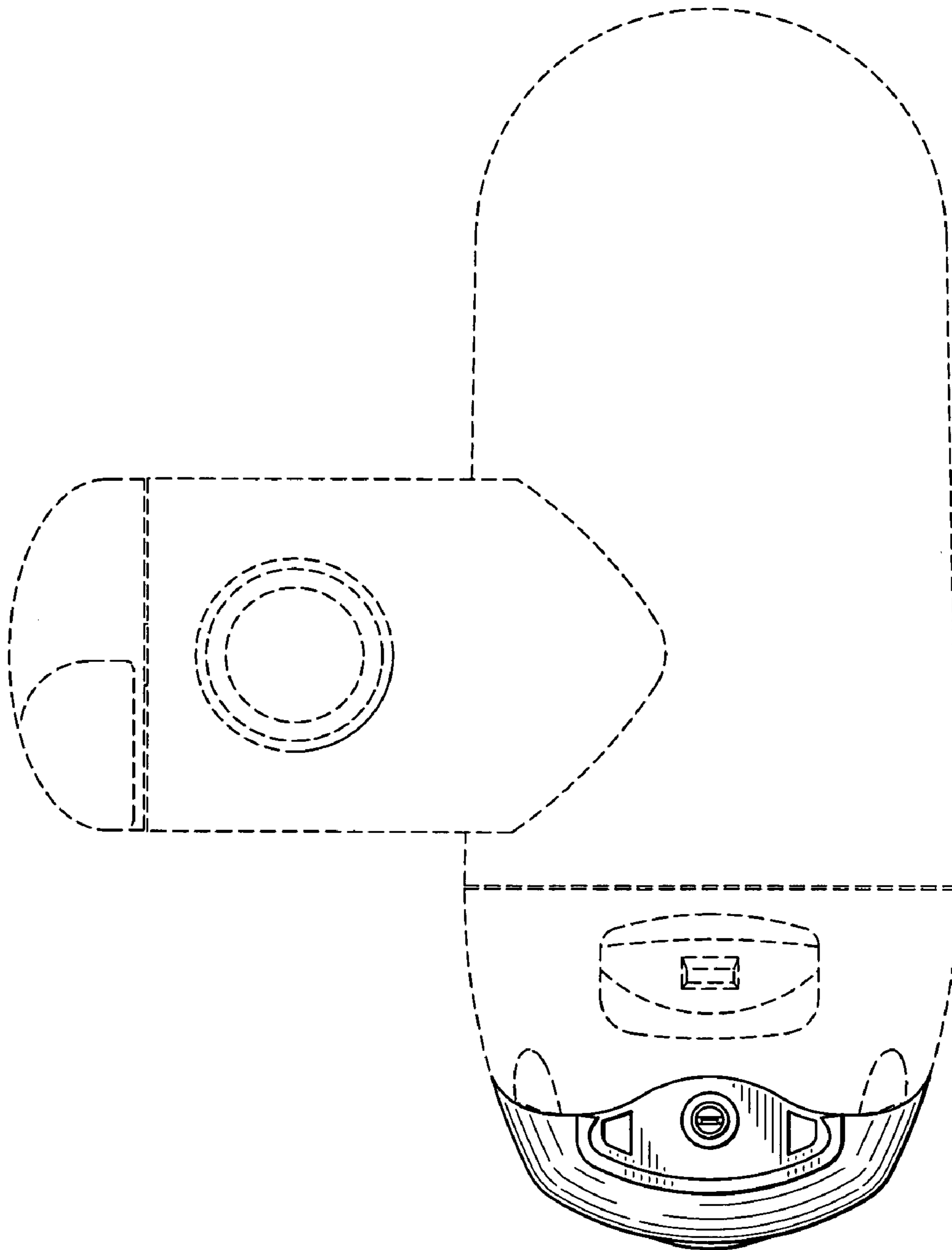


Fig. 7