

US00D596704S

(12) **United States Design Patent**
Born et al.

(10) **Patent No.:** **US D596,704 S**
(45) **Date of Patent:** **** Jul. 21, 2009**

(54) **DISPENSER CARTRIDGE**

(75) Inventors: **Jason Alan Born**, Loveland, OH (US);
David James Emmons, Plymouth, MN
(US); **Johannes Nikolai Gaston**,
Minnetonka, MN (US); **Douglas James**
VanOrnum, Minnetonka, MN (US);
Dominic James Daunter, Howell, MI
(US); **Noah Eberhard Dingler**,
Waterford, MI (US)

3,292,822 A 12/1966 Crowder et al.
3,299,663 A 1/1967 Butcher
3,312,083 A 4/1967 Scoggins et al.
3,321,097 A 5/1967 Solowey
3,769,977 A 11/1973 Victory
3,784,008 A 1/1974 Troglione

(Continued)

FOREIGN PATENT DOCUMENTS

DE 296 11 611 U1 3/1996

(Continued)

(73) Assignee: **PuR Water Purification Products, Inc.**,
Cincinnati, OH (US)

Primary Examiner—Robin V Webster

(**) Term: **14 Years**

(74) *Attorney, Agent, or Firm*—Kelly L. McDow; Andrew A. Paul

(21) Appl. No.: **29/321,501**

(57) **CLAIM**

(22) Filed: **Jul. 17, 2008**

The ornamental design for a dispenser cartridge, as shown and described.

Related U.S. Application Data

(62) Division of application No. 29/250,522, filed on Nov. 17, 2006, now Pat. No. Des. 576,250.

DESCRIPTION

(51) **LOC (9) Cl.** **23-01**

FIG. 1 is a perspective view of a dispenser cartridge illustrating our new design;

(52) **U.S. Cl.** **D23/209**

FIG. 2 is a left side elevational view of the design of FIG. 1;

(58) **Field of Classification Search** D23/207,

FIG. 3 is a right side elevational view of the design of FIG. 1;

D23/209; D3/202; 210/85, 198.1, 436-437;

FIG. 4 is a front side elevational view of the design of FIG. 1;

222/189.06

FIG. 5 is a back side elevational view of the design of FIG. 1;

See application file for complete search history.

FIG. 6 is a top planar view of the design of FIG. 1; and,

FIG. 7 is a bottom planar view of the design of FIG. 1.

(56) **References Cited**

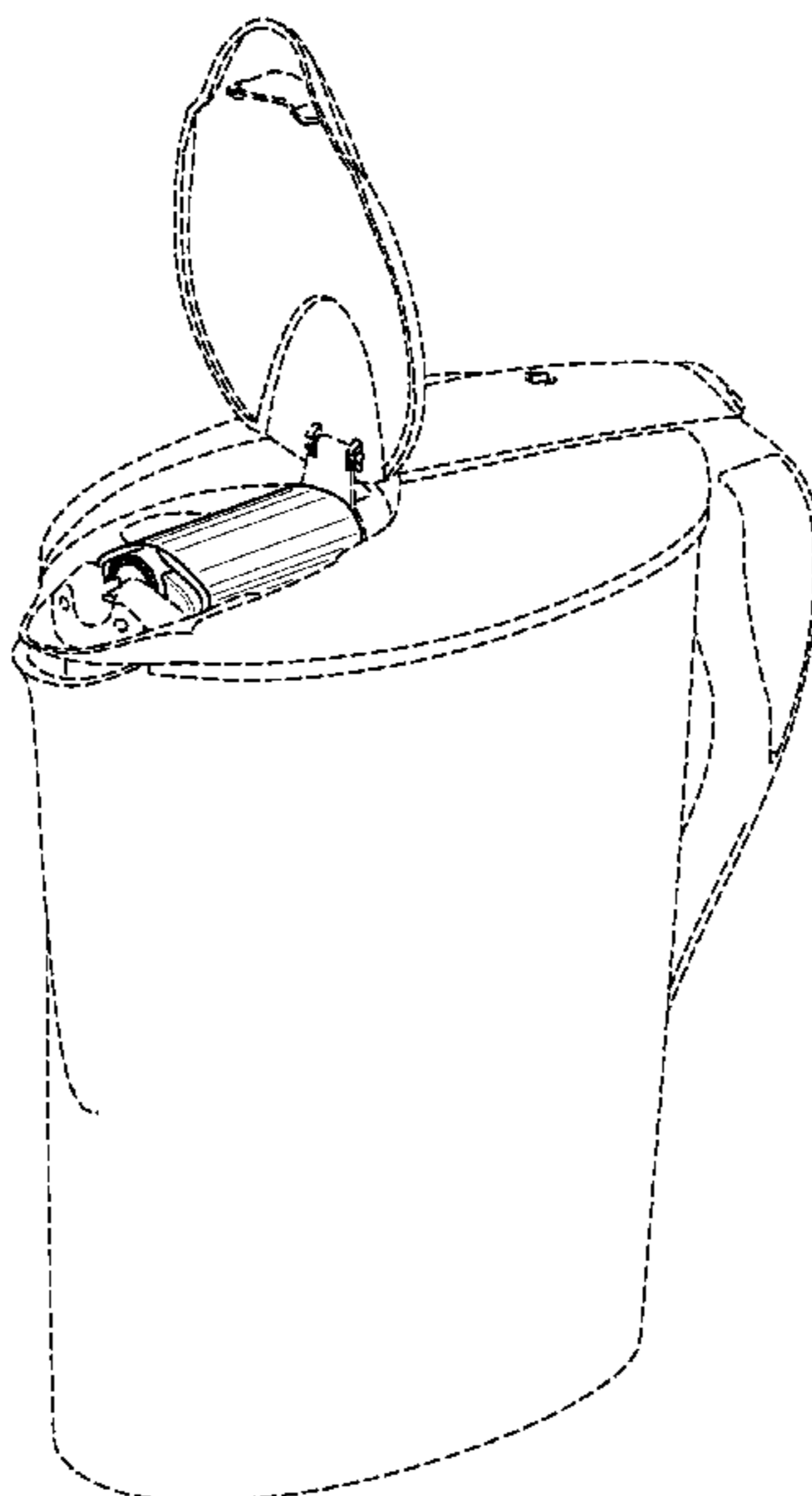
Undisclosed visible surface(s)/portion(s) of the article not forming part of the claimed design.

U.S. PATENT DOCUMENTS

The broken line showing of a pitcher is included for the purpose of illustrating and forms no part of the claimed design.

2,684,787 A 7/1954 Charpiat
2,823,833 A 2/1958 Bauerlein
2,894,377 A 7/1959 Shikles, Jr. et al.
3,240,395 A 3/1966 Carver
3,266,672 A 8/1966 Dean
3,280,591 A 10/1966 Webster

1 Claim, 6 Drawing Sheets



US D596,704 S

U.S. PATENT DOCUMENTS

3,974,847 A 8/1976 Hodges
 4,173,296 A 11/1979 Marshall
 4,196,817 A 4/1980 Moser
 4,306,667 A 12/1981 Sedam et al.
 4,335,837 A 6/1982 Bono
 4,440,318 A 4/1984 Berger
 4,493,441 A 1/1985 Sedam et al.
 4,496,080 A 1/1985 Farber et al.
 4,526,730 A 7/1985 Cochran et al.
 4,566,287 A 1/1986 Schmidt et al.
 4,610,145 A 9/1986 Arzberger et al.
 4,627,554 A 12/1986 Leibinsohn
 4,629,098 A 12/1986 Eger
 4,632,275 A 12/1986 Parks
 4,633,678 A 1/1987 Lea et al.
 4,635,824 A 1/1987 Gaunt et al.
 4,651,905 A 3/1987 Hayes
 4,660,741 A 4/1987 Kirschner et al.
 4,674,656 A 6/1987 Wiley et al.
 4,676,283 A 6/1987 Caldwell
 4,703,770 A 11/1987 Arzberger et al.
 4,708,266 A 11/1987 Rudick
 4,750,645 A 6/1988 Wilson et al.
 4,752,018 A 6/1988 Rudick et al.
 4,852,781 A 8/1989 Shurnick et al.
 4,958,629 A 9/1990 Peace et al.
 5,060,833 A 10/1991 Edison et al.
 5,096,095 A 3/1992 Burton
 5,114,048 A 5/1992 Minke
 5,146,870 A * 9/1992 Eyas 119/260
 5,211,973 A 5/1993 Nohren, Jr.
 5,215,231 A 6/1993 Paczonay
 D386,041 S 11/1997 Tanner et al.
 5,772,017 A 6/1998 Kang
 D405,157 S * 2/1999 Hayes et al. D23/209
 5,919,365 A * 7/1999 Collette 210/419
 5,922,378 A 7/1999 Kagan et al.
 5,993,648 A 11/1999 Hunter et al.
 6,024,012 A 2/2000 Luzenberg, Jr.

D432,204 S * 10/2000 Brady D23/209
 6,220,490 B1 4/2001 O'Hara
 6,221,416 B1 4/2001 Nohren, Jr.
 D444,843 S 7/2001 Hilgers et al.
 6,372,270 B1 4/2002 Denny
 6,409,099 B1 6/2002 Goodwin et al.
 6,419,166 B1 7/2002 Brzezinski et al.
 6,482,451 B1 11/2002 Baron
 6,497,348 B2 12/2002 Forsman et al.
 6,517,878 B2 2/2003 Heczko
 6,540,070 B1 4/2003 Conwell
 6,569,329 B1 5/2003 Nohren, Jr.
 6,651,824 B2 11/2003 Miller
 6,652,893 B2 11/2003 Berson
 6,935,523 B2 8/2005 Ahn
 6,959,839 B2 11/2005 Roth et al.
 7,018,531 B2 3/2006 Eilers et al.
 D520,597 S 5/2006 Witte
 D524,087 S 7/2006 Ali
 D546,113 S * 7/2007 Ruoff D7/319
 2003/0019764 A1 1/2003 Baldwin et al.
 2003/0234212 A1 12/2003 Ito et al.
 2004/0161504 A1 8/2004 Daniels et al.
 2004/0262328 A1 12/2004 Nilsen
 2005/0040092 A1 2/2005 Eilers et al.
 2005/0051494 A1 3/2005 Na et al.
 2005/0127101 A1 6/2005 Roth et al.
 2005/0133420 A1 6/2005 Rinker et al.
 2005/0258082 A1 11/2005 Lund et al.
 2006/0006107 A1 1/2006 Olson et al.
 2006/0021919 A1 2/2006 Olson et al.
 2006/0191824 A1 8/2006 Arett et al.

FOREIGN PATENT DOCUMENTS

JP 01027458 A 1/1989
 JP 08113295 A 7/1996
 WO 91-17949 11/1991
 WO 2004013047 A2 8/2003
 WO 2005000079 A1 6/2004

* cited by examiner

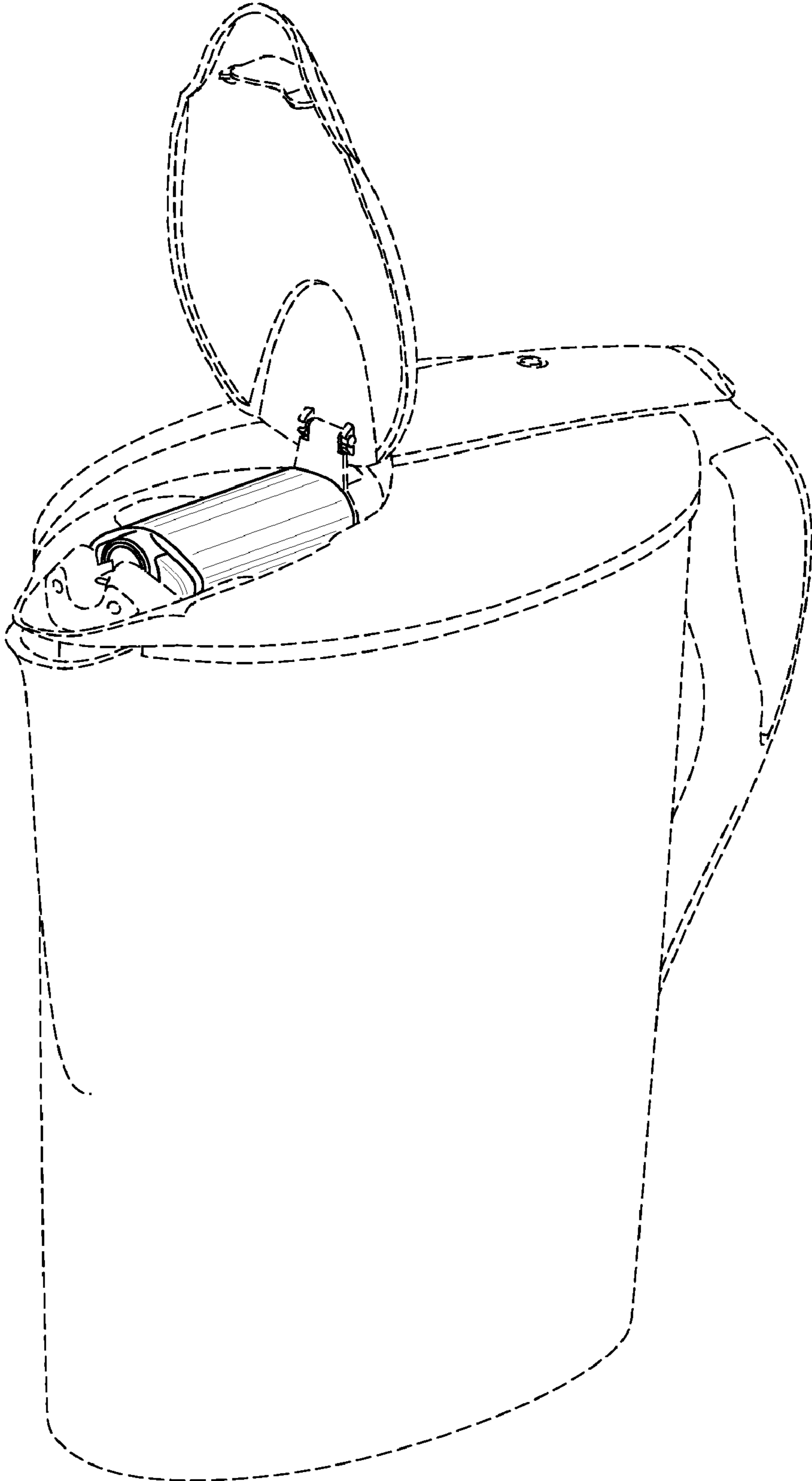


FIG. 1

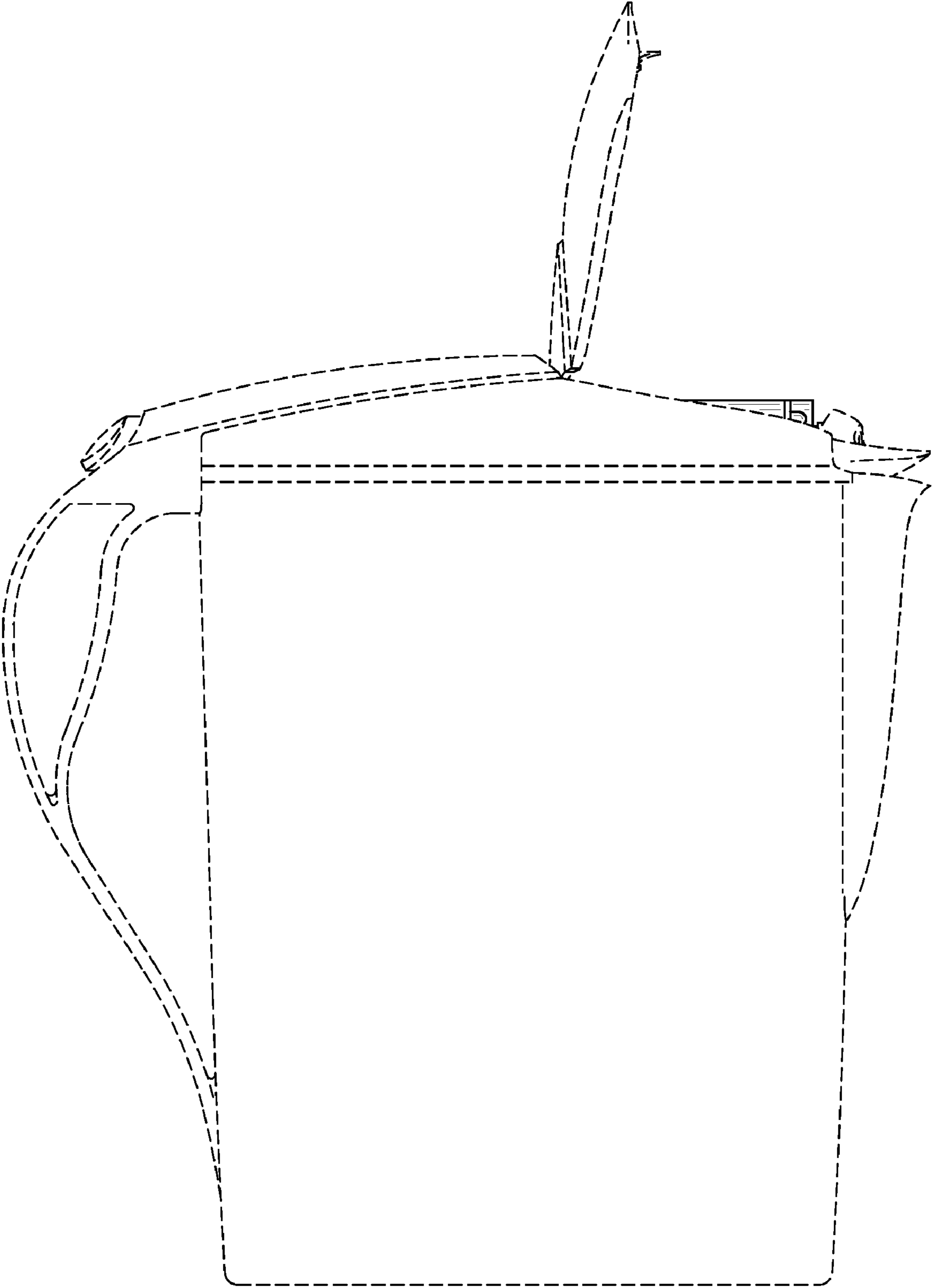


FIG. 2

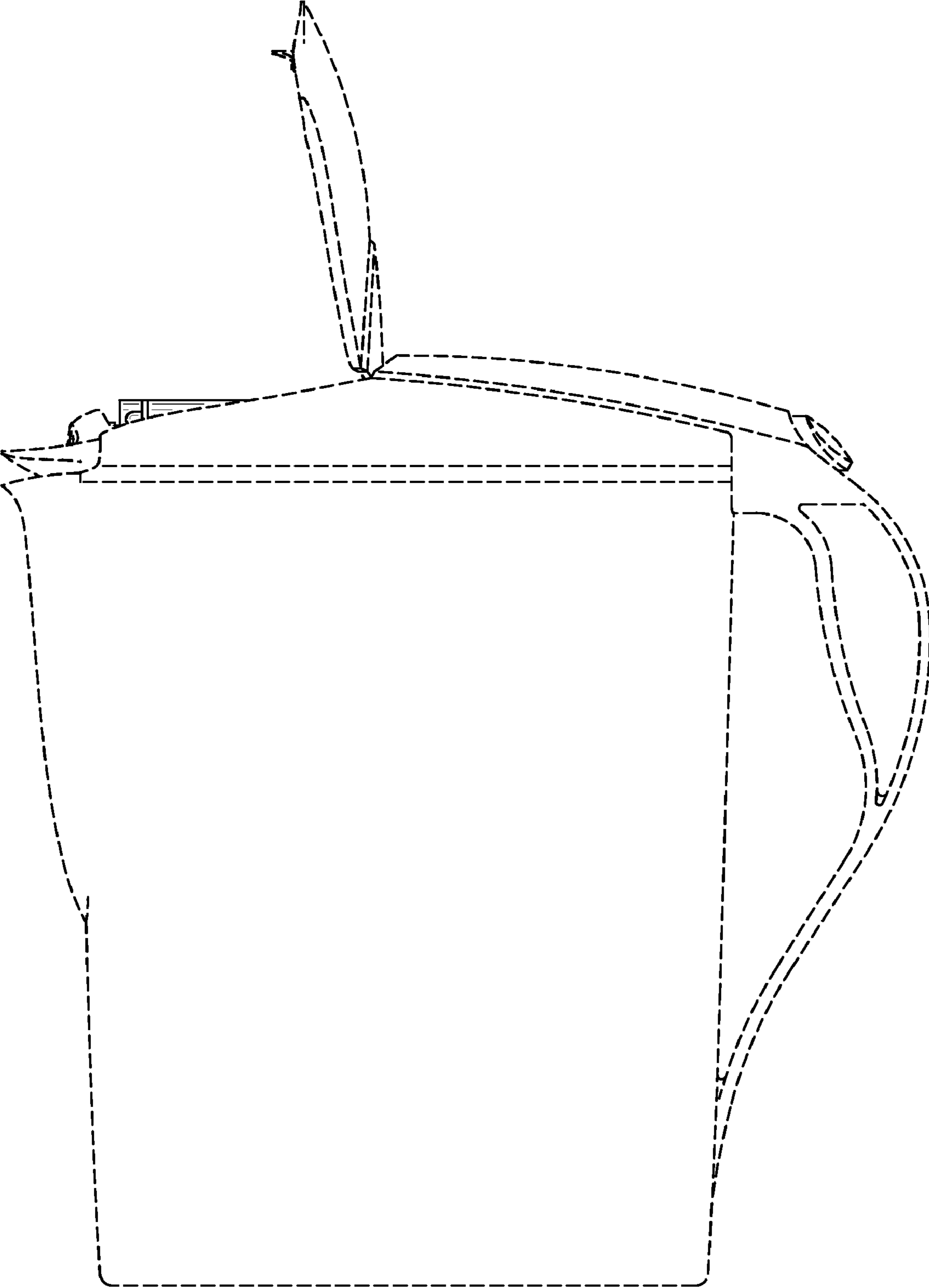


FIG. 3

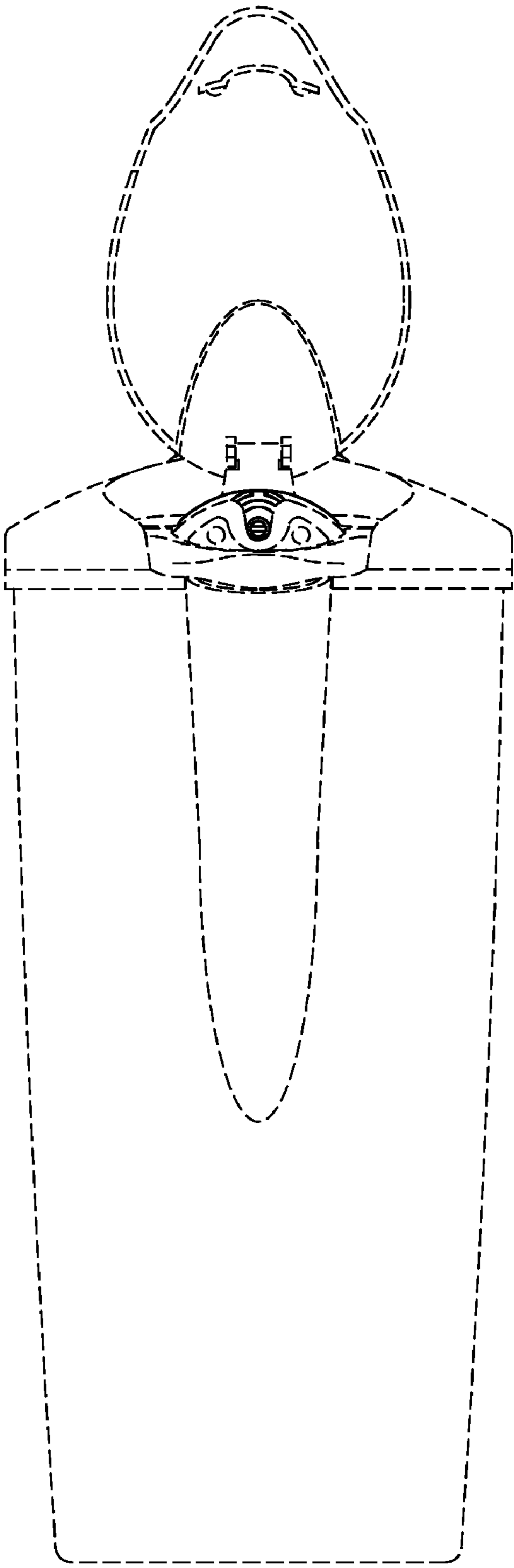


FIG. 4

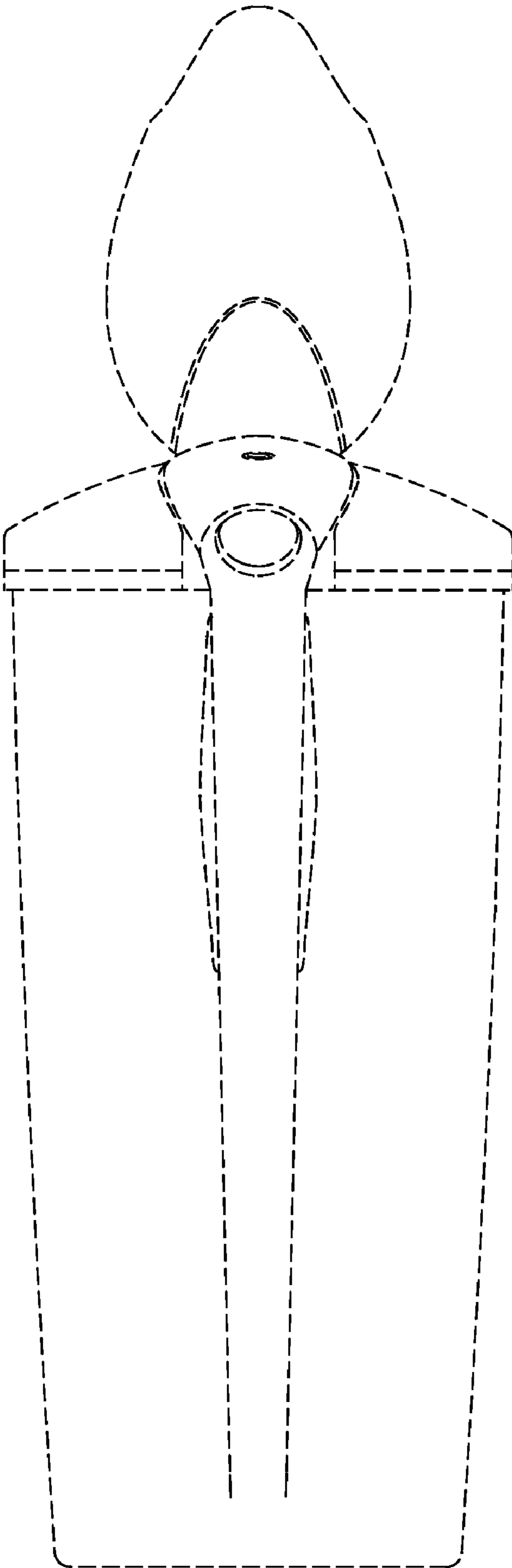


FIG. 5

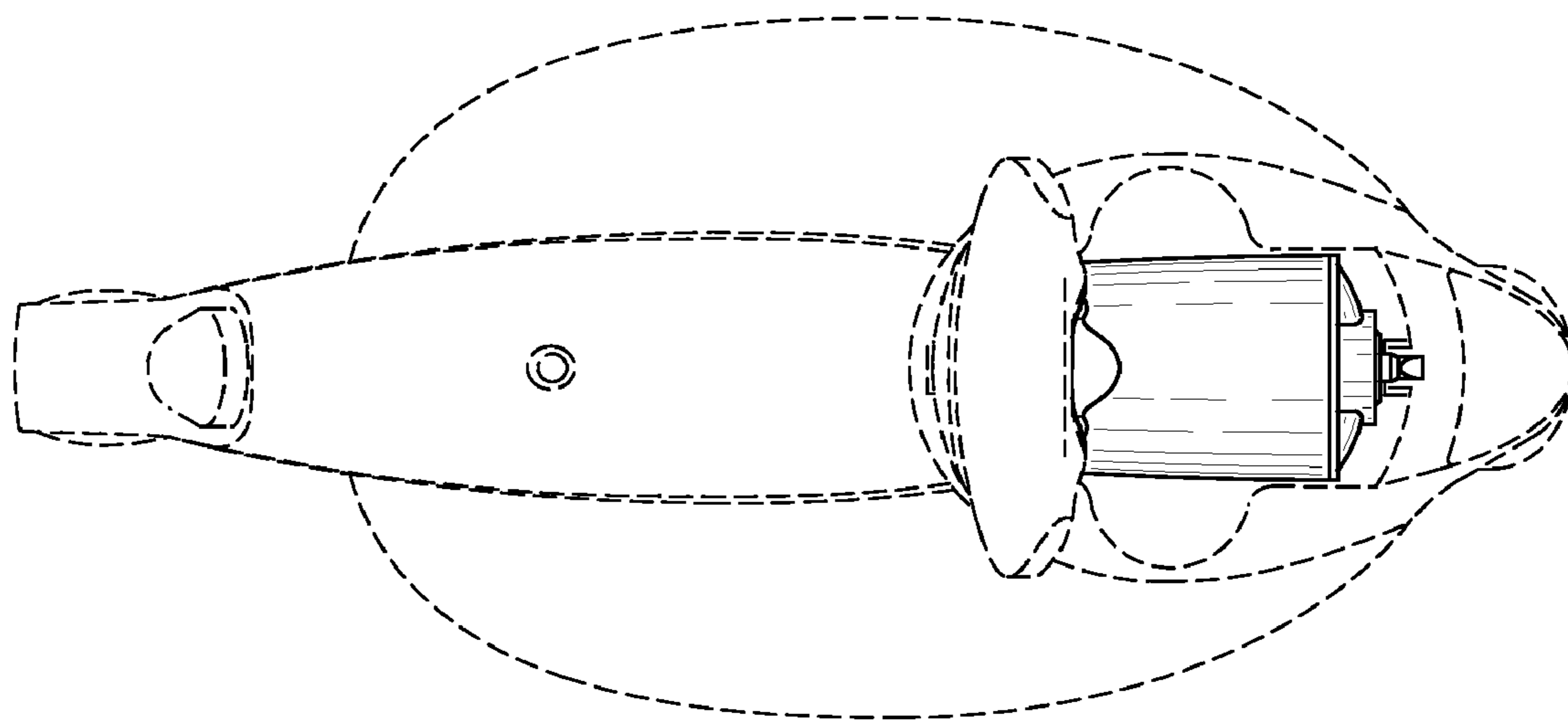


FIG. 6

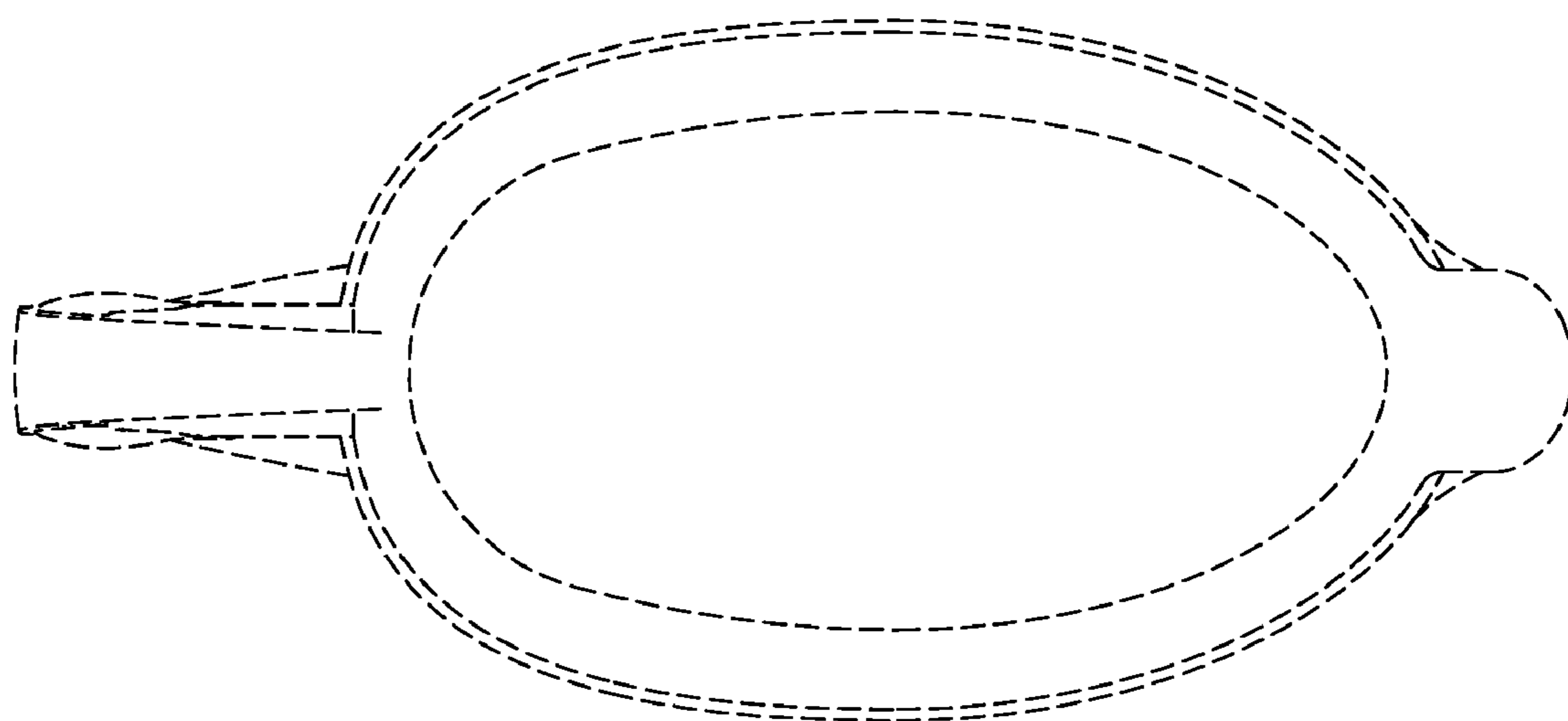


FIG. 7