

US00D596702S

(12) **United States Design Patent**
Chen

(10) **Patent No.:** **US D596,702 S**

(45) **Date of Patent:** **** Jul. 21, 2009**

(54) **ELECTROLYZED WATER MACHINE**

(75) Inventor: **Bihua Chen**, Shanghai (CN)

(73) Assignee: **Keti (China) Daily Products Co., Ltd.**,
Shanghai (CN)

(**) Term: **14 Years**

(21) Appl. No.: **29/327,834**

(22) Filed: **Nov. 14, 2008**

(51) **LOC (9) Cl.** **23-01**

(52) **U.S. Cl.** **D23/207**

(58) **Field of Classification Search** D23/207,
D23/209; 210/243; 204/245, 275.1, 660,
204/665

See application file for complete search history.

(56) **References Cited**

U.S. PATENT DOCUMENTS

5,230,807 A * 7/1993 Kozlowski, II 210/696

6,524,450 B1 * 2/2003 Hara 204/228.3

6,524,459 B1 * 2/2003 Niidome 204/667

D485,330 S * 1/2004 Shyu D23/207

D557,373 S * 12/2007 Terada D23/207

* cited by examiner

Primary Examiner—Robin V Webster

(57) **CLAIM**

The ornamental design for an electrolyzed water machine, as shown.

DESCRIPTION

FIG. 1 is a front elevational view of an electrolyzed water machine showing my new design;

FIG. 2 is a rear elevational view thereof;

FIG. 3 is a left side view thereof;

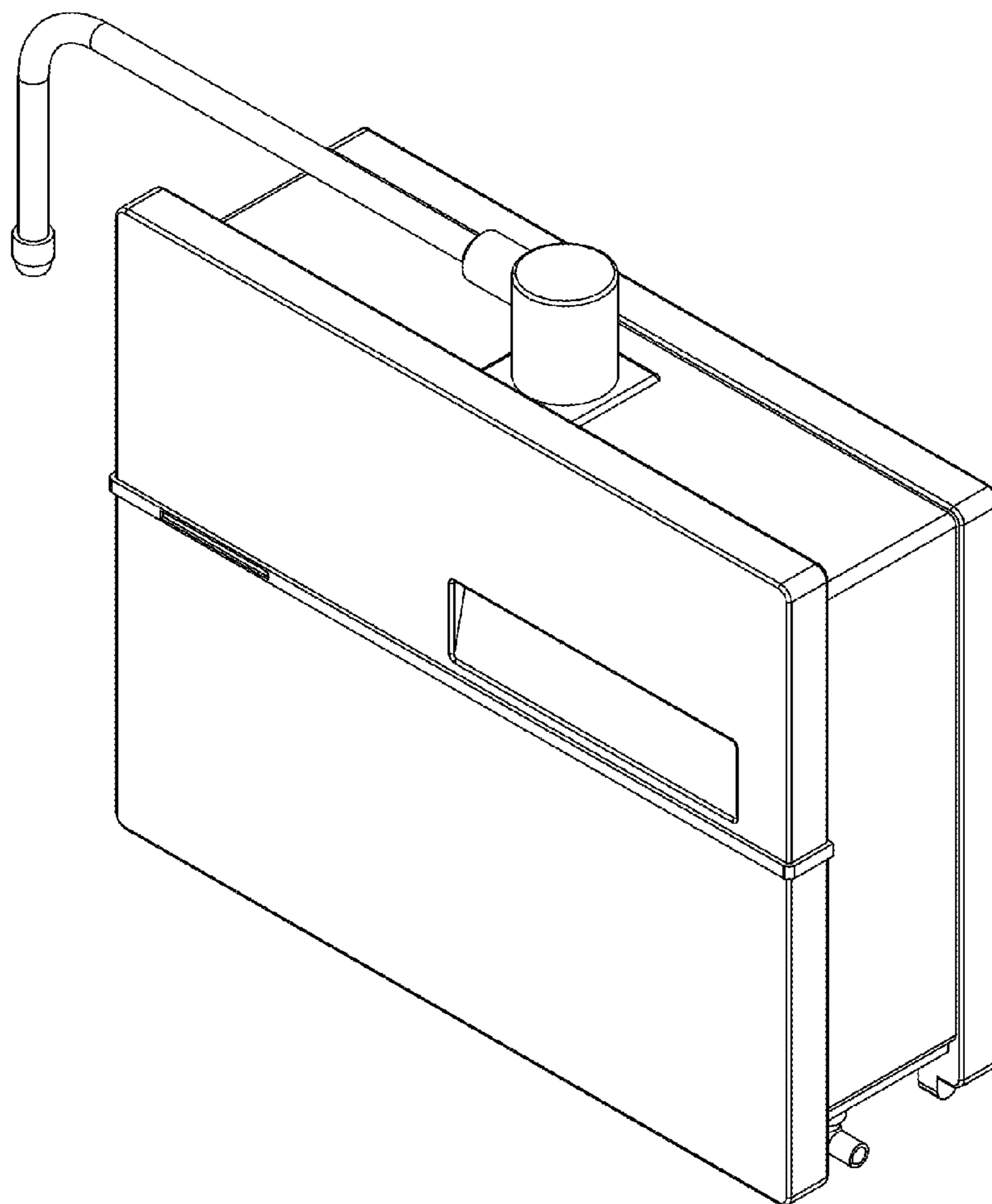
FIG. 4 is a right side view thereof;

FIG. 5 is a top plan view thereof;

FIG. 6 is a bottom plan view thereof; and,

FIG. 7 is a perspective view thereof.

1 Claim, 6 Drawing Sheets



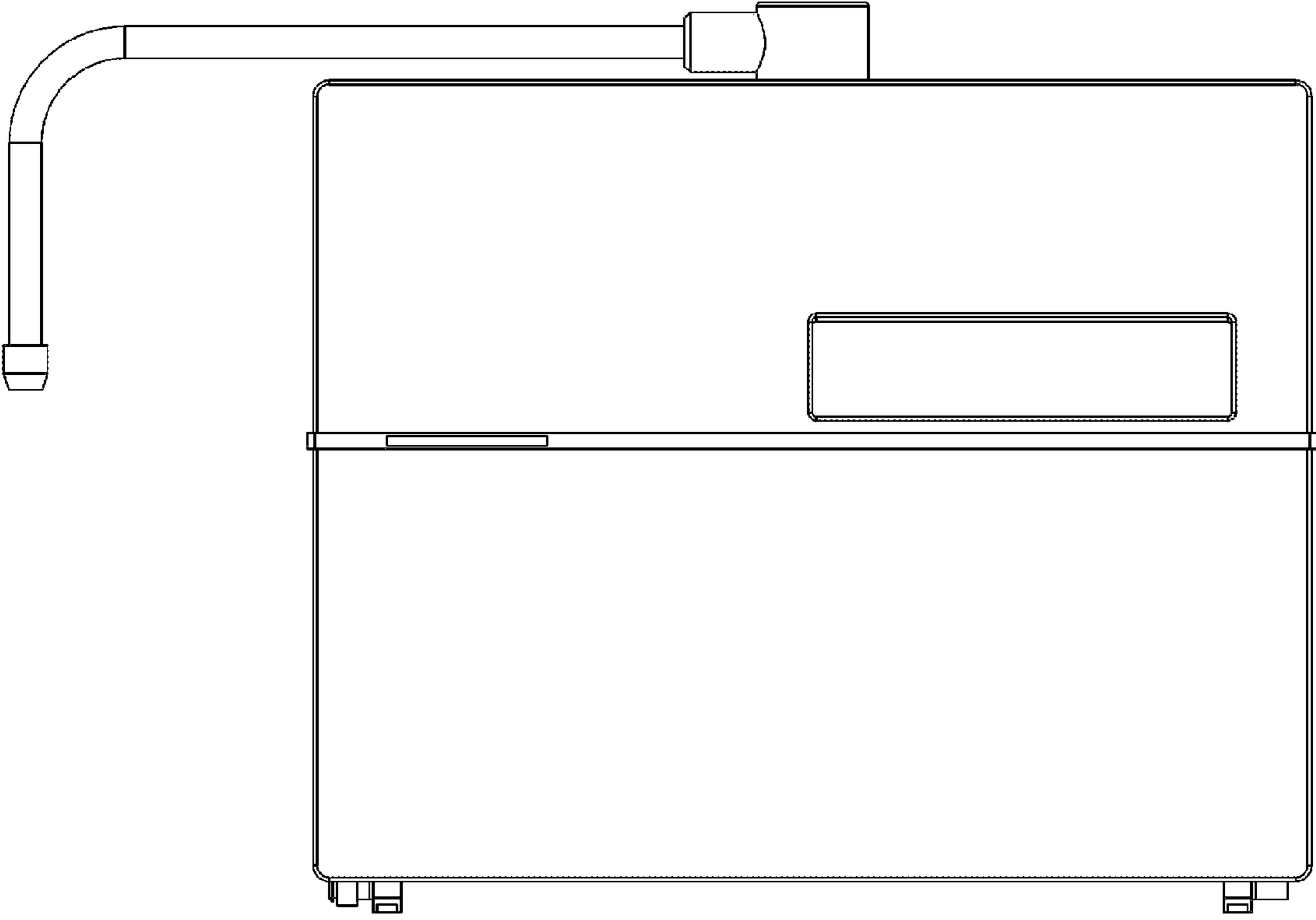


FIG. 1

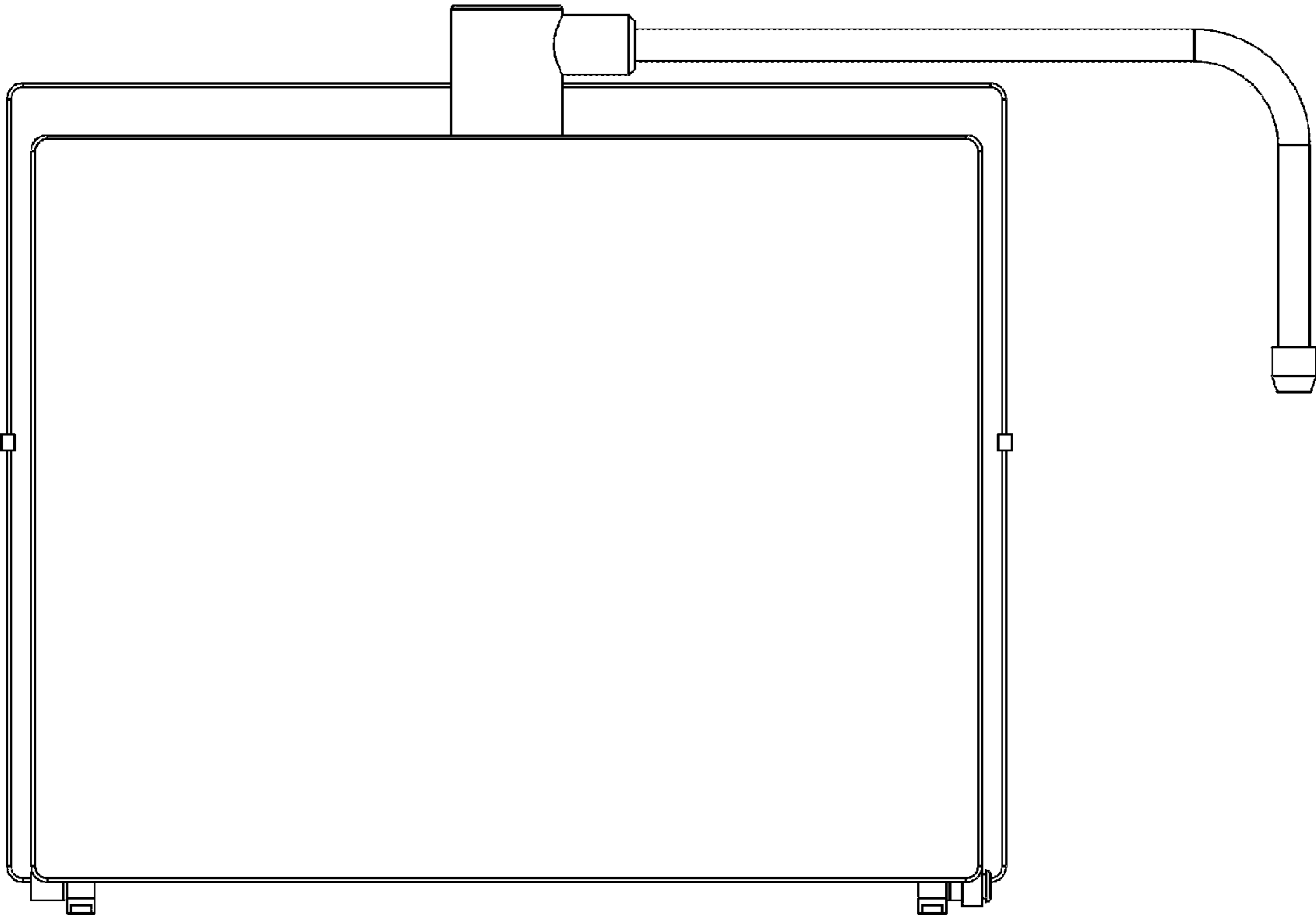


FIG. 2

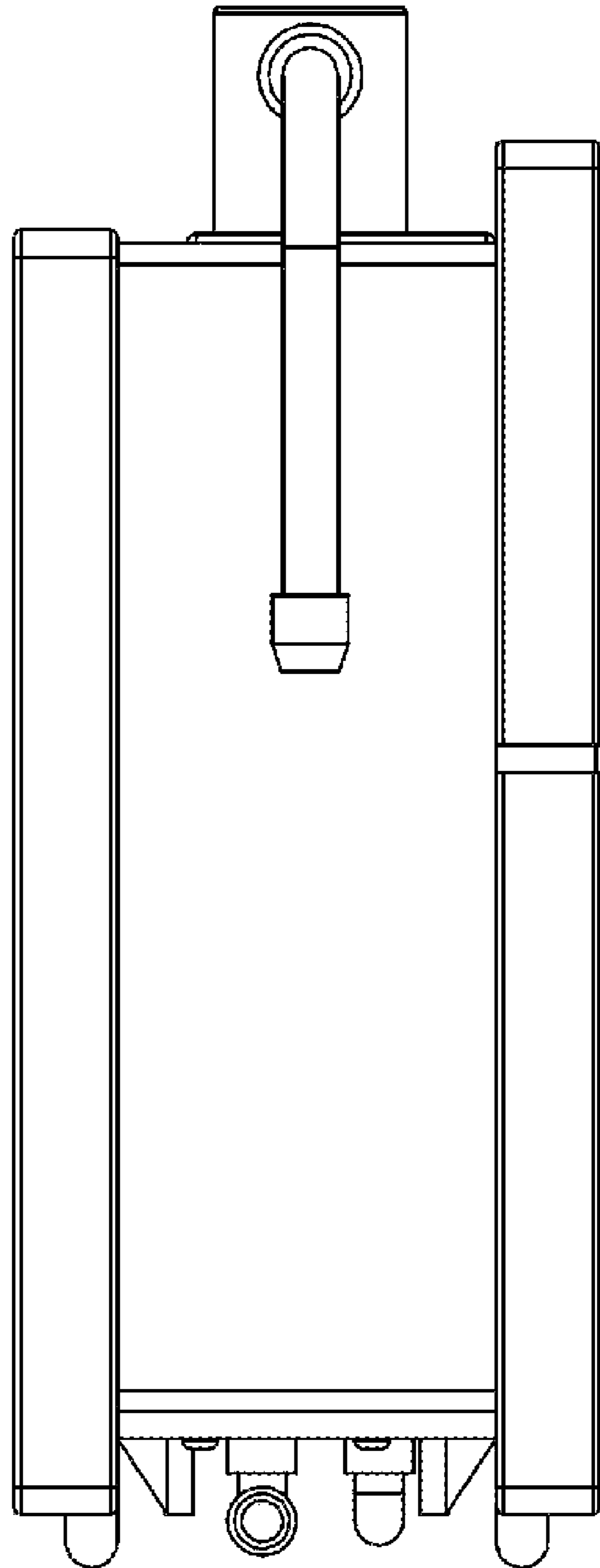


FIG. 3

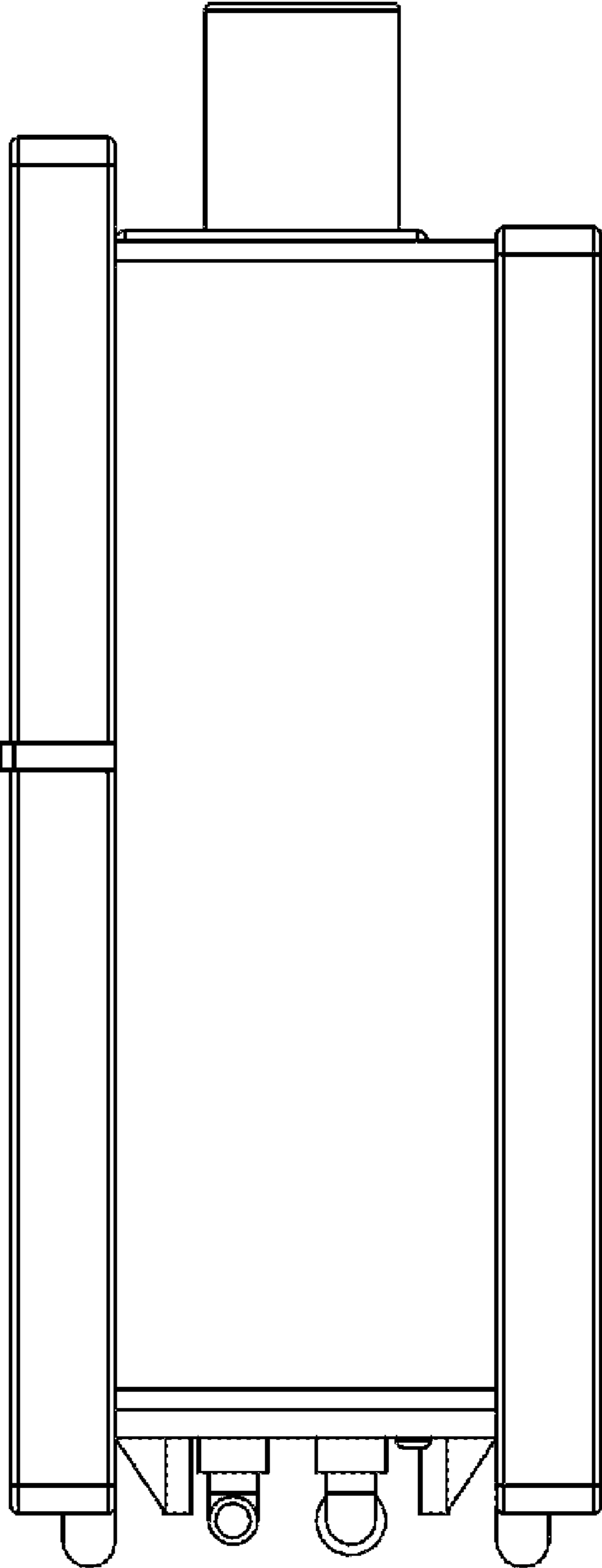


FIG. 4

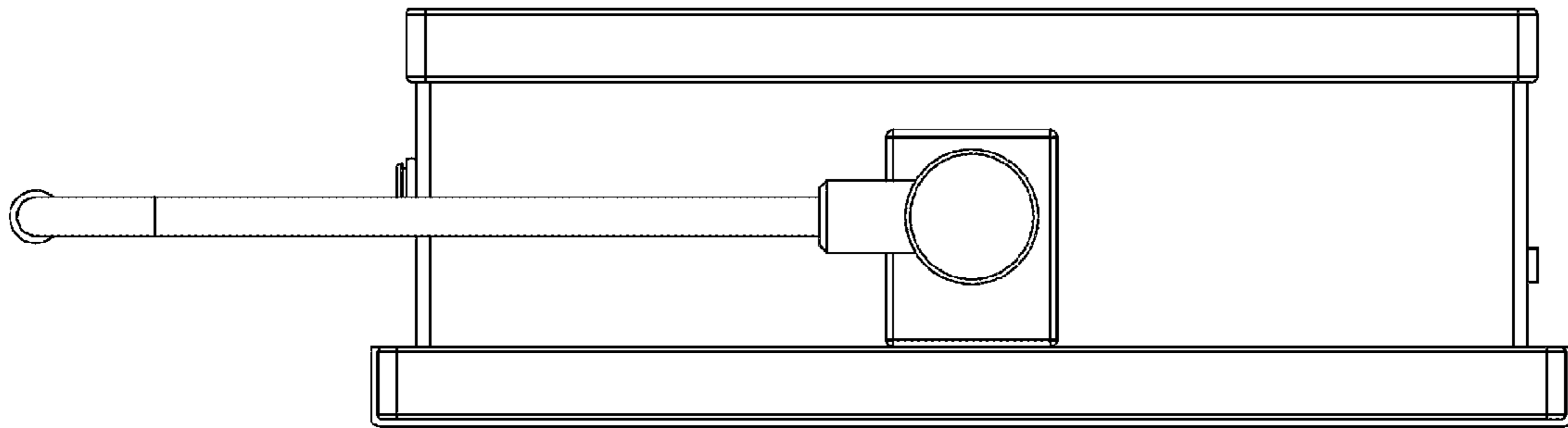


FIG. 5

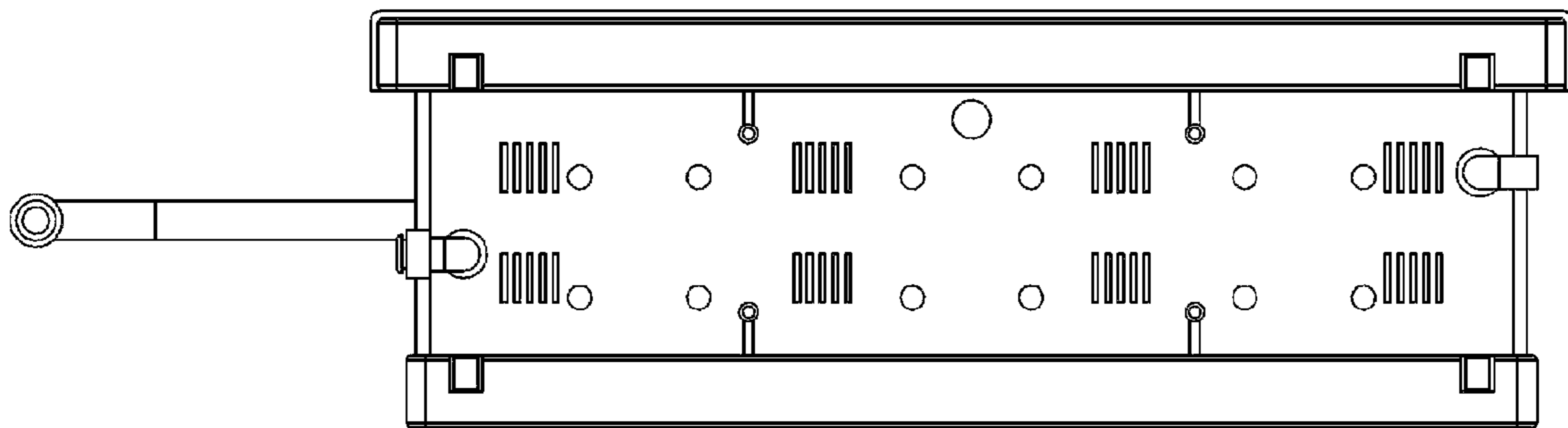


FIG. 6

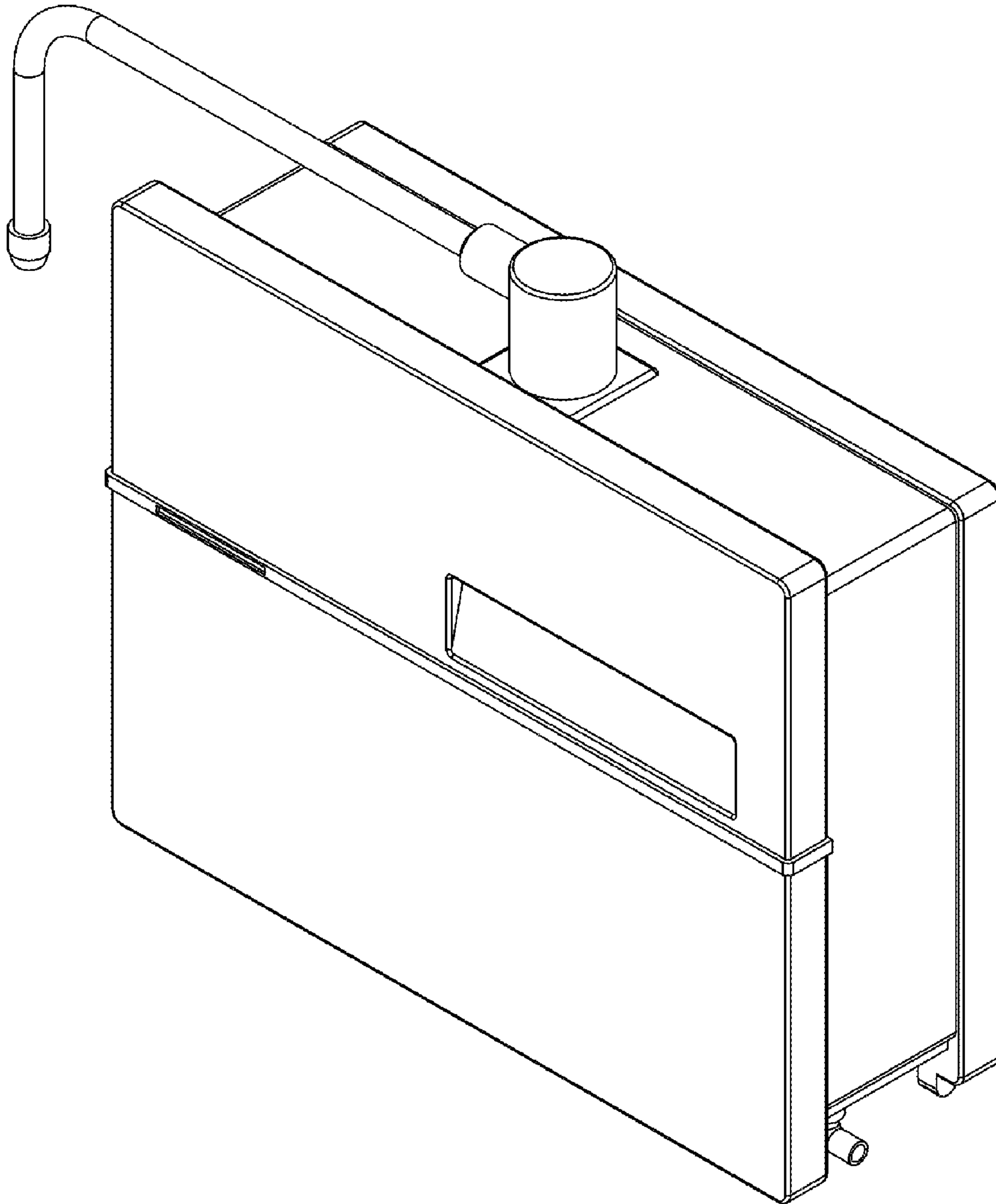


FIG. 7