



US00D596697S

(12) **United States Design Patent**  
**Siviter et al.**

(10) **Patent No.:** **US D596,697 S**

(45) **Date of Patent:** **\*\* Jul. 21, 2009**

(54) **TOP SLAB FOR WATER TREATMENT CHAMBER**

6,062,767 A \* 5/2000 Kizhnerman et al. .... 405/39  
6,858,138 B2 \* 2/2005 Pattee ..... 210/232

(75) Inventors: **Terry Lee Siviter**, Virginia Beach, VA (US); **Brian Richard Hofe**, Martinsburg, WV (US); **Edward Stuart Kay**, Beaverdam, VA (US)

\* cited by examiner

*Primary Examiner*—Robin V Webster  
(74) *Attorney, Agent, or Firm*—Jacobson Holman PLLC

(73) Assignee: **Americast, Inc.**, Ashland, VA (US)

(57) **CLAIM**

(\*\*) Term: **14 Years**

The ornamental design for a top slab for water treatment chamber, as shown and described.

(21) Appl. No.: **29/259,195**

**DESCRIPTION**

(22) Filed: **May 4, 2006**

FIG. 1 is a top perspective view showing our new design for a top slab for water treatment chamber,

(51) **LOC (9) Cl.** ..... **23-01**

FIG. 2 is a top view thereof,

(52) **U.S. Cl.** ..... **D23/206**

FIG. 3 is a bottom view thereof,

(58) **Field of Classification Search** ..... D23/202–206;  
210/170.03, 532.1, 532.2

FIG. 4 is a left side view thereof,

See application file for complete search history.

FIG. 5 is a right side view thereof; and,

FIG. 6 is a front view thereof.

(56) **References Cited**

The portions shown in broken lines are for illustrative purposes only, forming no part of the claimed design.

**U.S. PATENT DOCUMENTS**

4,986,905 A \* 1/1991 White ..... 210/104  
D385,944 S \* 11/1997 Hatfield ..... D23/203

**1 Claim, 3 Drawing Sheets**

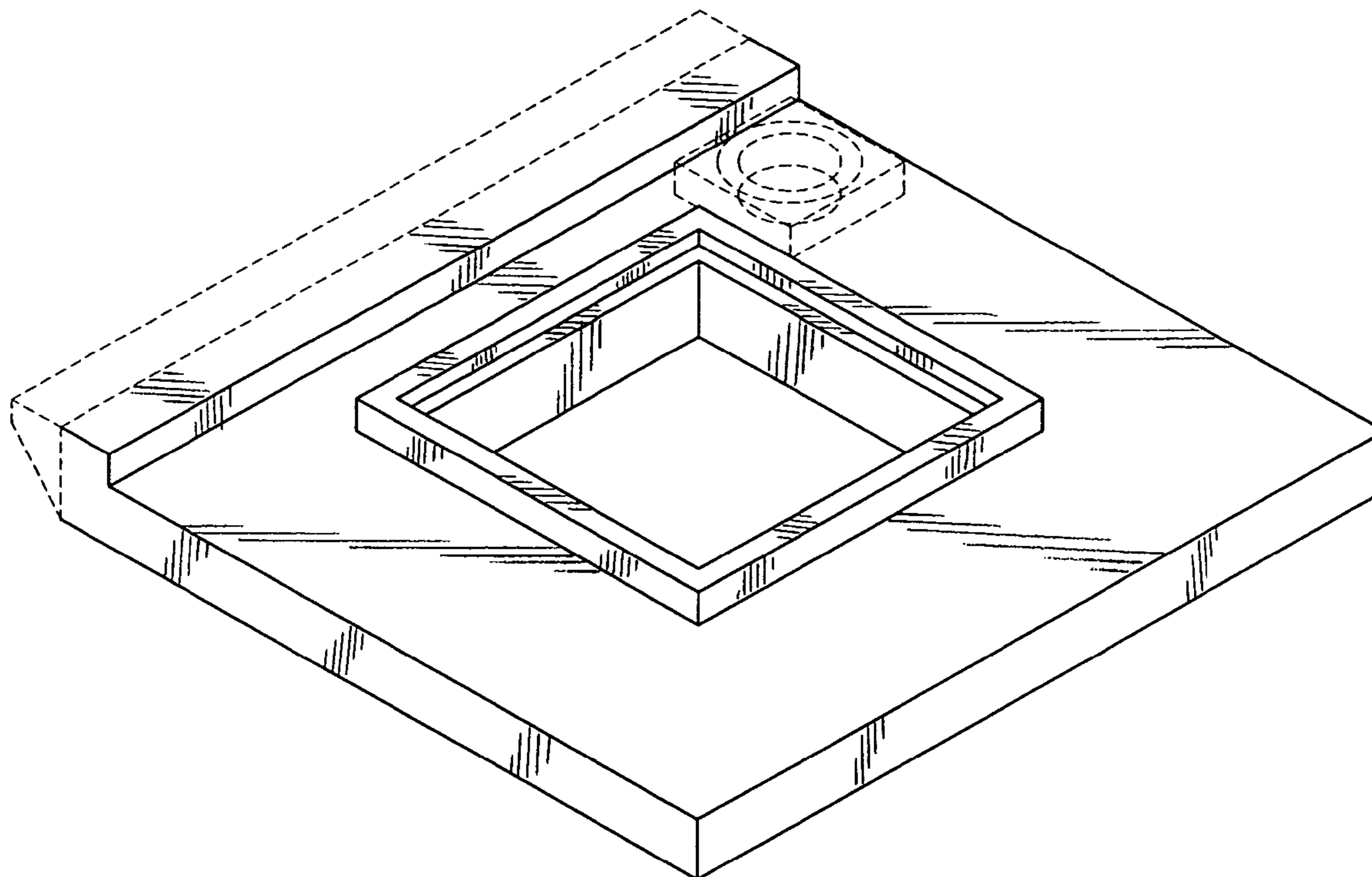


FIG. 1

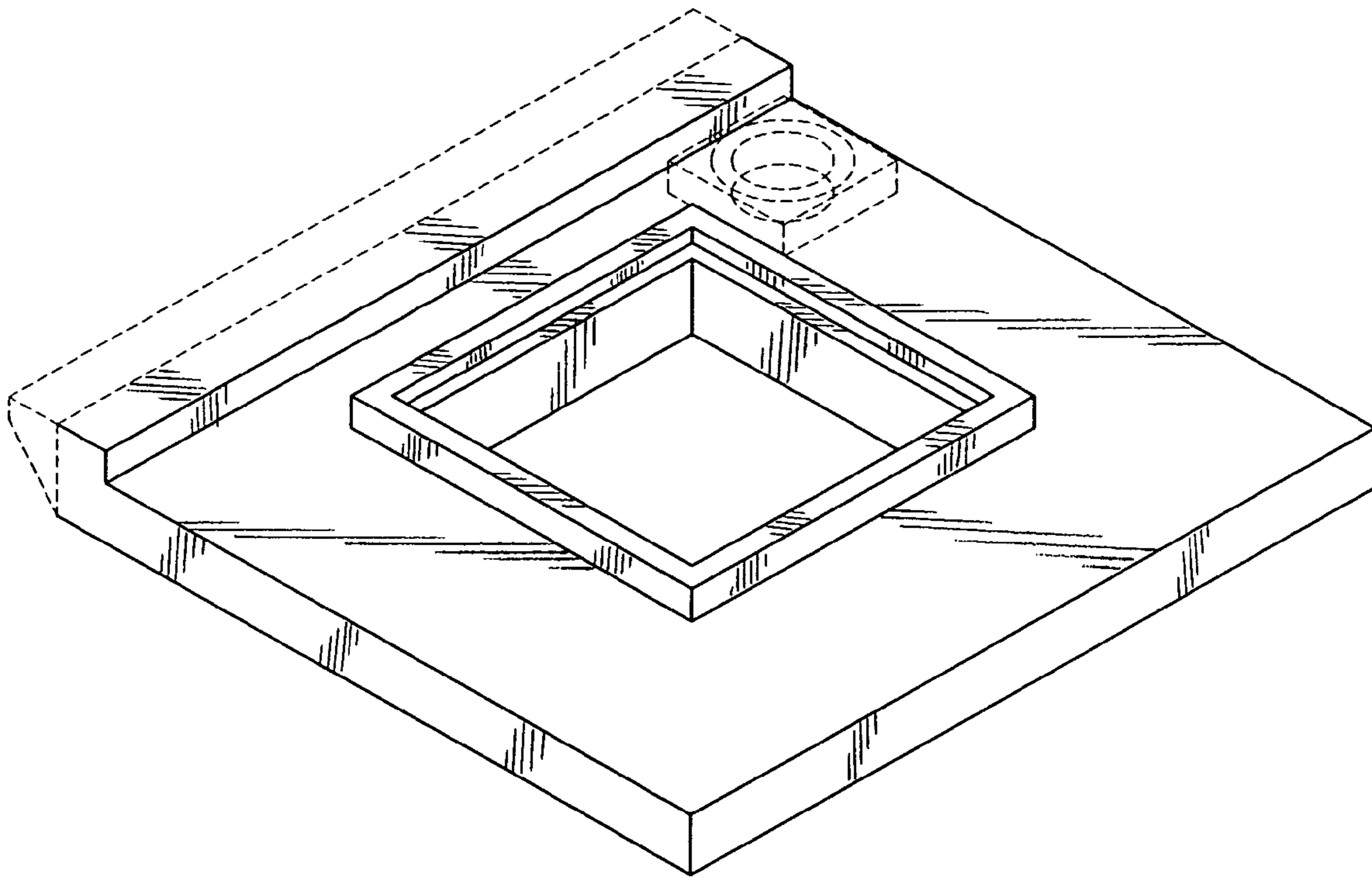


FIG. 2

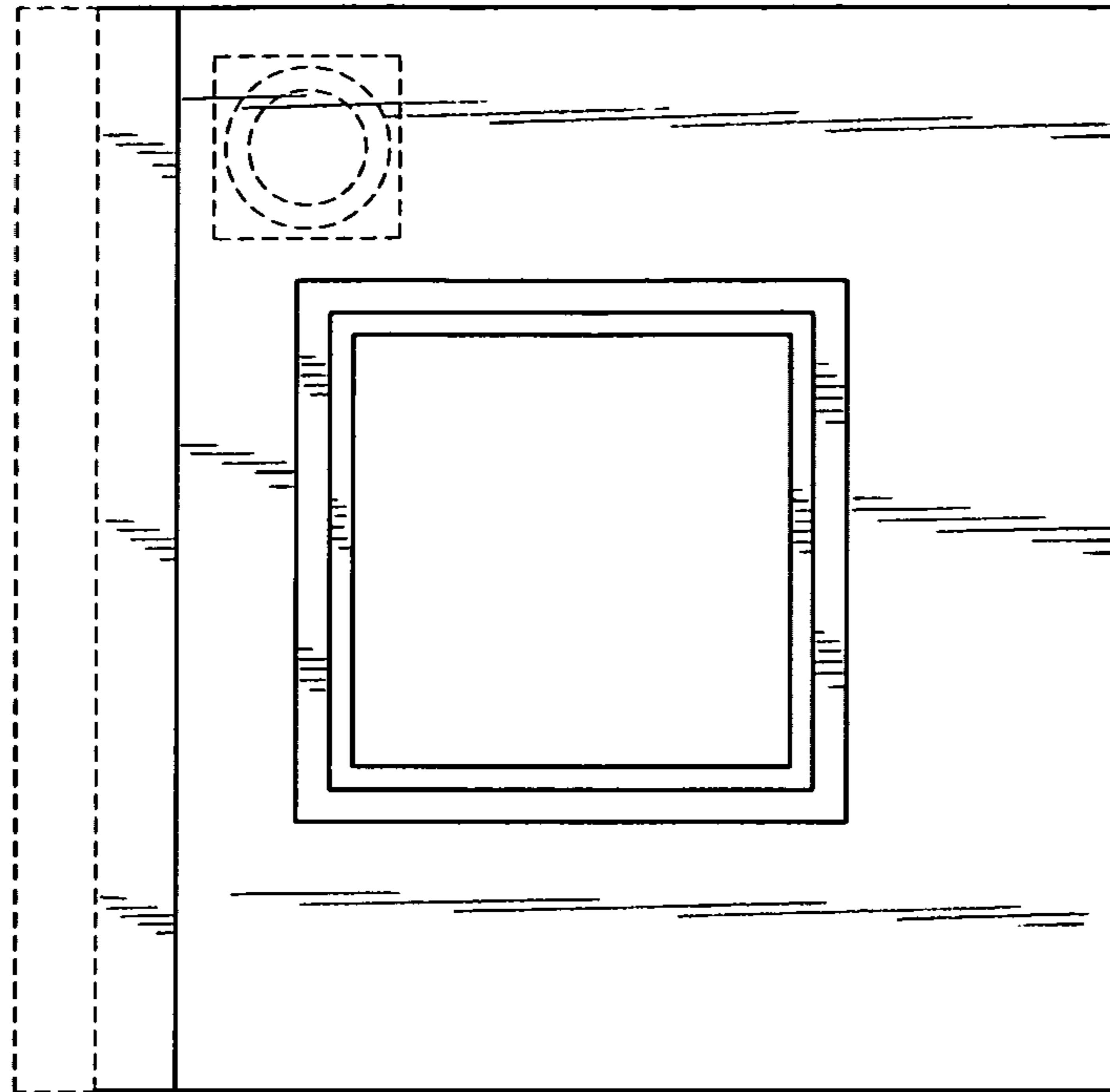


FIG. 3

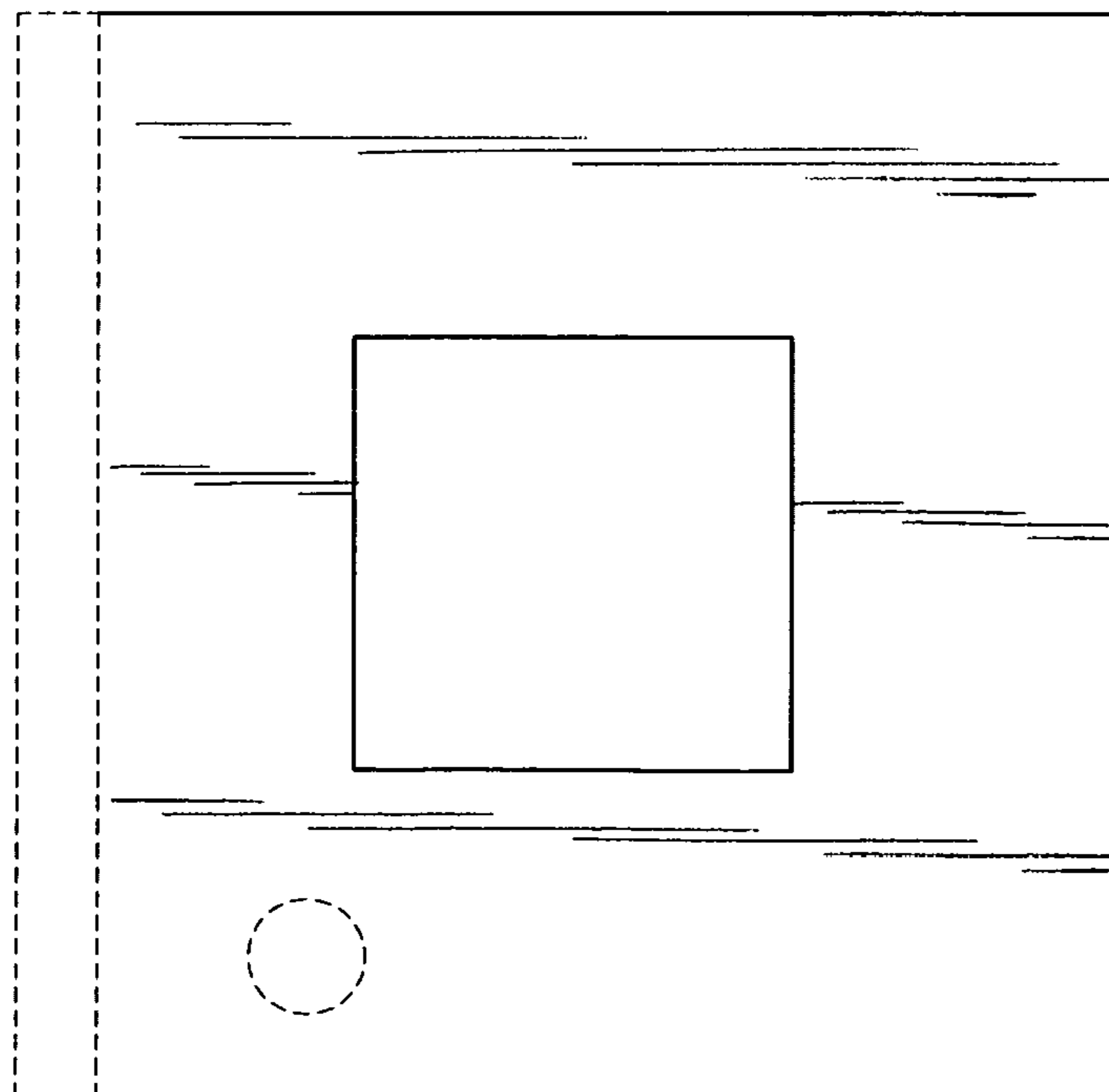


FIG. 4



FIG. 5

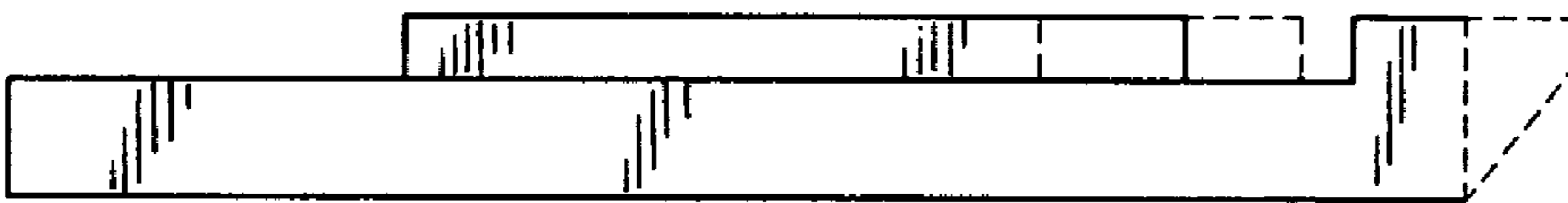


FIG. 6

