

US00D596694S

(12) **United States Design Patent**
Chen

(10) **Patent No.:** **US D596,694 S**

(45) **Date of Patent:** **** Jul. 21, 2009**

(54) **BUG WACKER**

(75) Inventor: **Chi Gon Chen**, Guang Zhou (CN)

(73) Assignee: **International Development LLC**,
Roanoke, TX (US)

(**) Term: **14 Years**

(21) Appl. No.: **29/326,304**

(22) Filed: **Oct. 15, 2008**

(51) **LOC (9) Cl.** **22-06**

(52) **U.S. Cl.** **D22/123**

(58) **Field of Classification Search** D22/119-124;
43/112-113, 124, 131; D26/37-41

See application file for complete search history.

(56) **References Cited**

U.S. PATENT DOCUMENTS

D294,283 S *	2/1988	Yuen	D22/123
D302,577 S *	8/1989	Lee	D22/123
D323,015 S *	1/1992	Brookshire	D22/123

* cited by examiner

Primary Examiner—Catherine R Oliver

(74) *Attorney, Agent, or Firm*—David W. Carstens; Carstens & Cahoon, LLP

(57) **CLAIM**

The ornamental design for a bug wacker, as shown and described.

DESCRIPTION

FIG. 1 is a perspective view of the bug wacker of the present invention;

FIG. 2 is a front elevation view; the rear elevation view being the same;

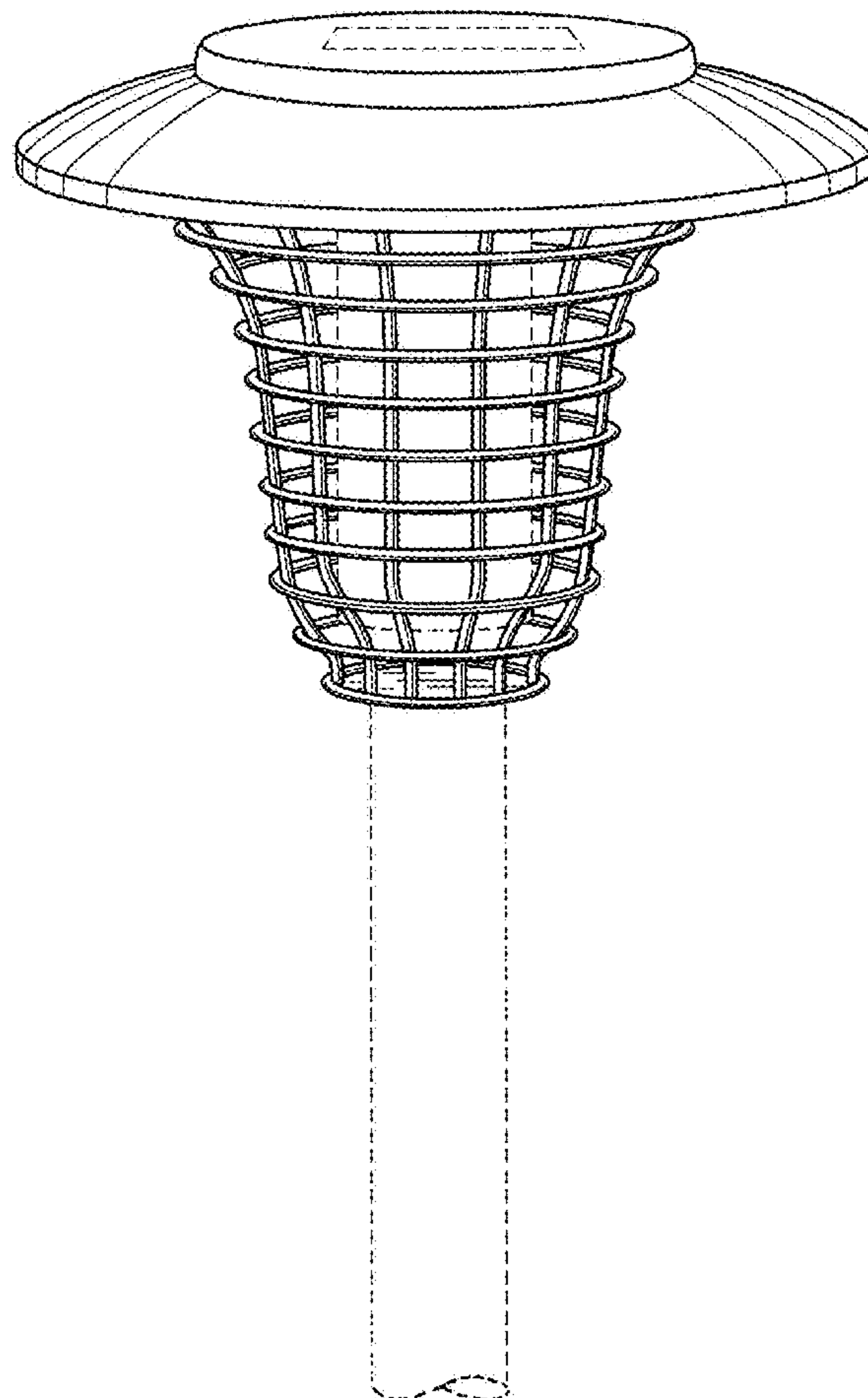
FIG. 3 is a top plan view thereof;

FIG. 4 is a bottom plan view; and,

FIG. 5 is a left side elevation view; the right side elevation view being the same.

The broken line showing of environment in the drawings is included for the purpose of illustrating only and forms no part of the claimed design.

1 Claim, 4 Drawing Sheets



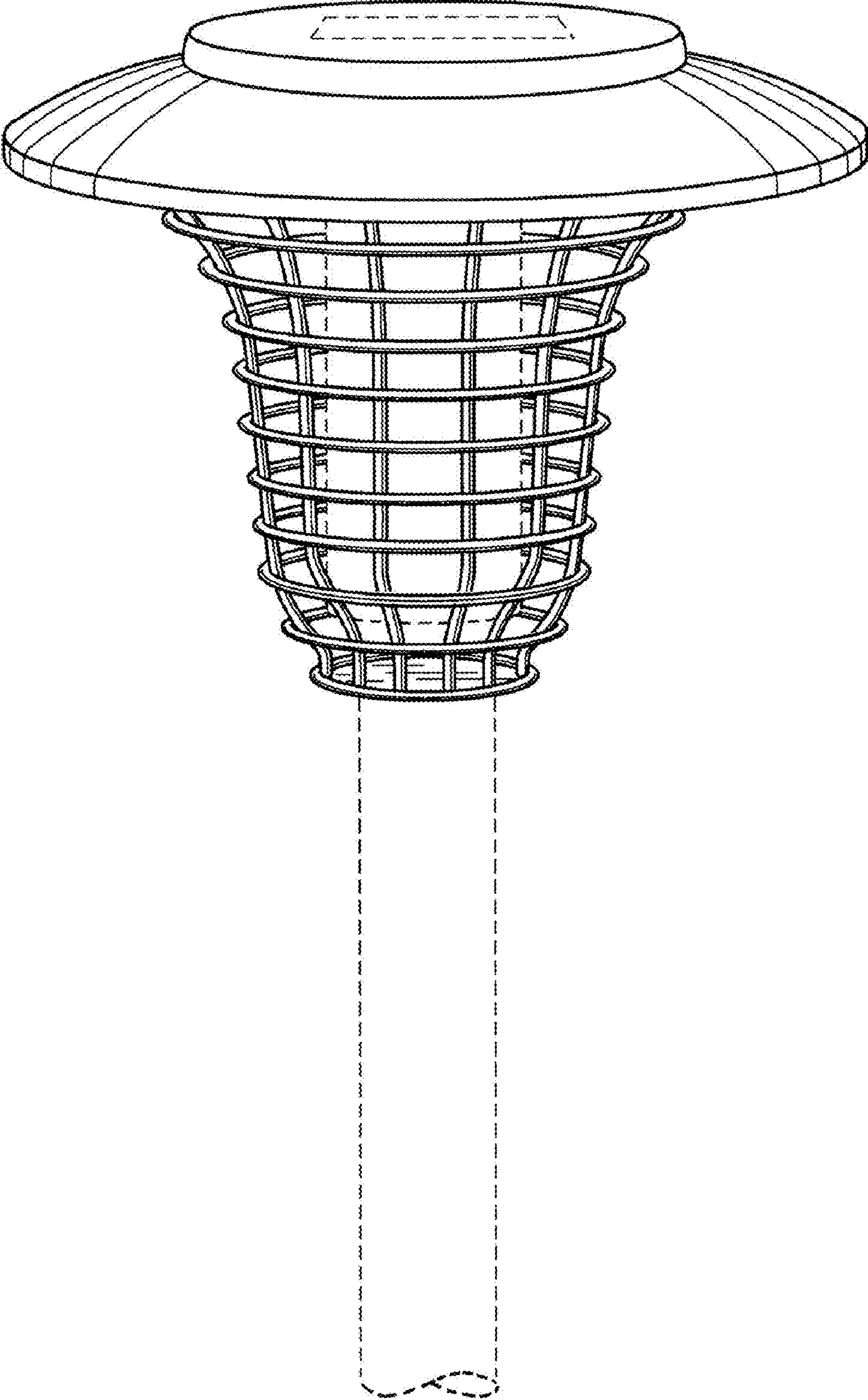


Fig. 1

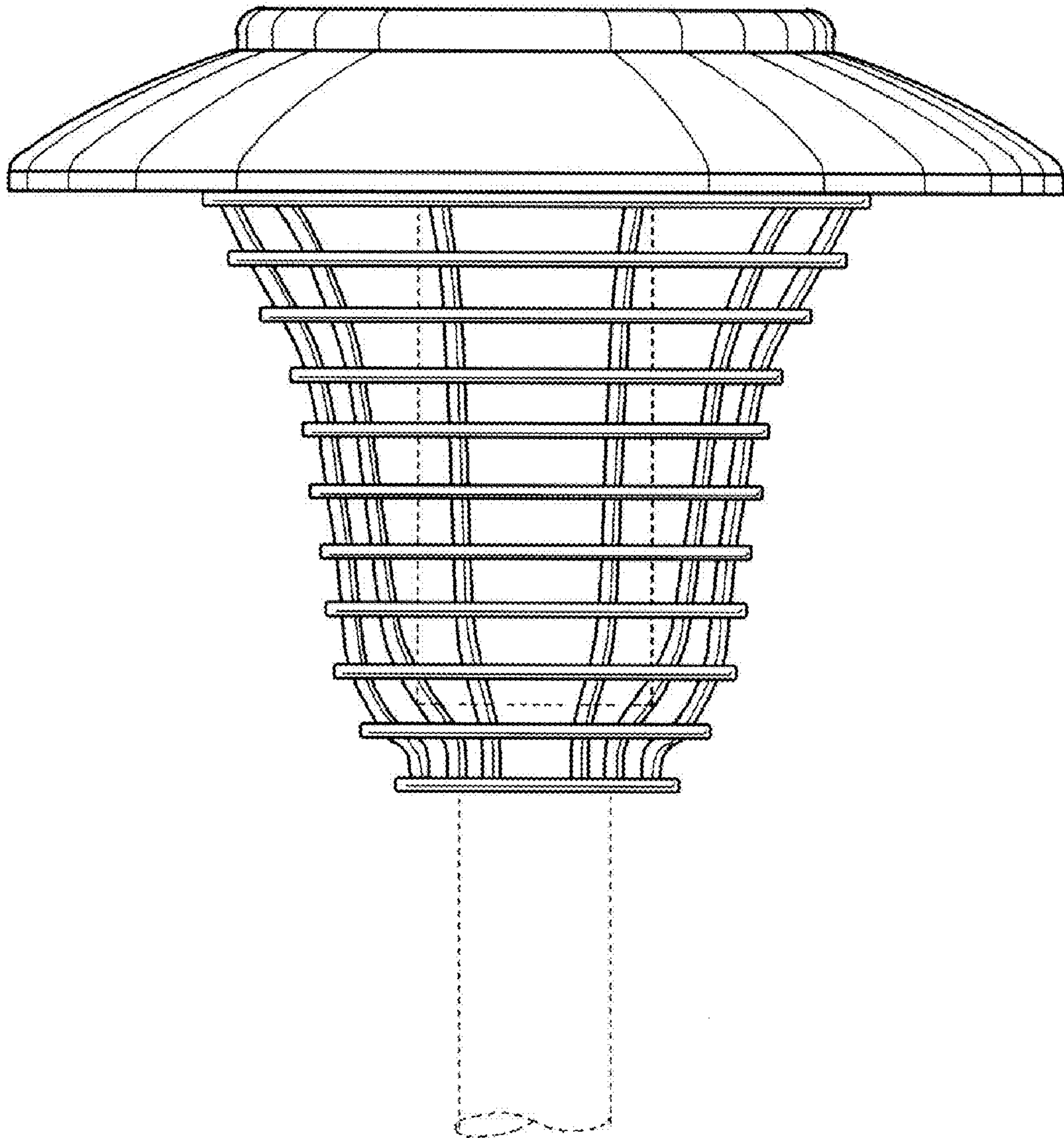


Fig. 2

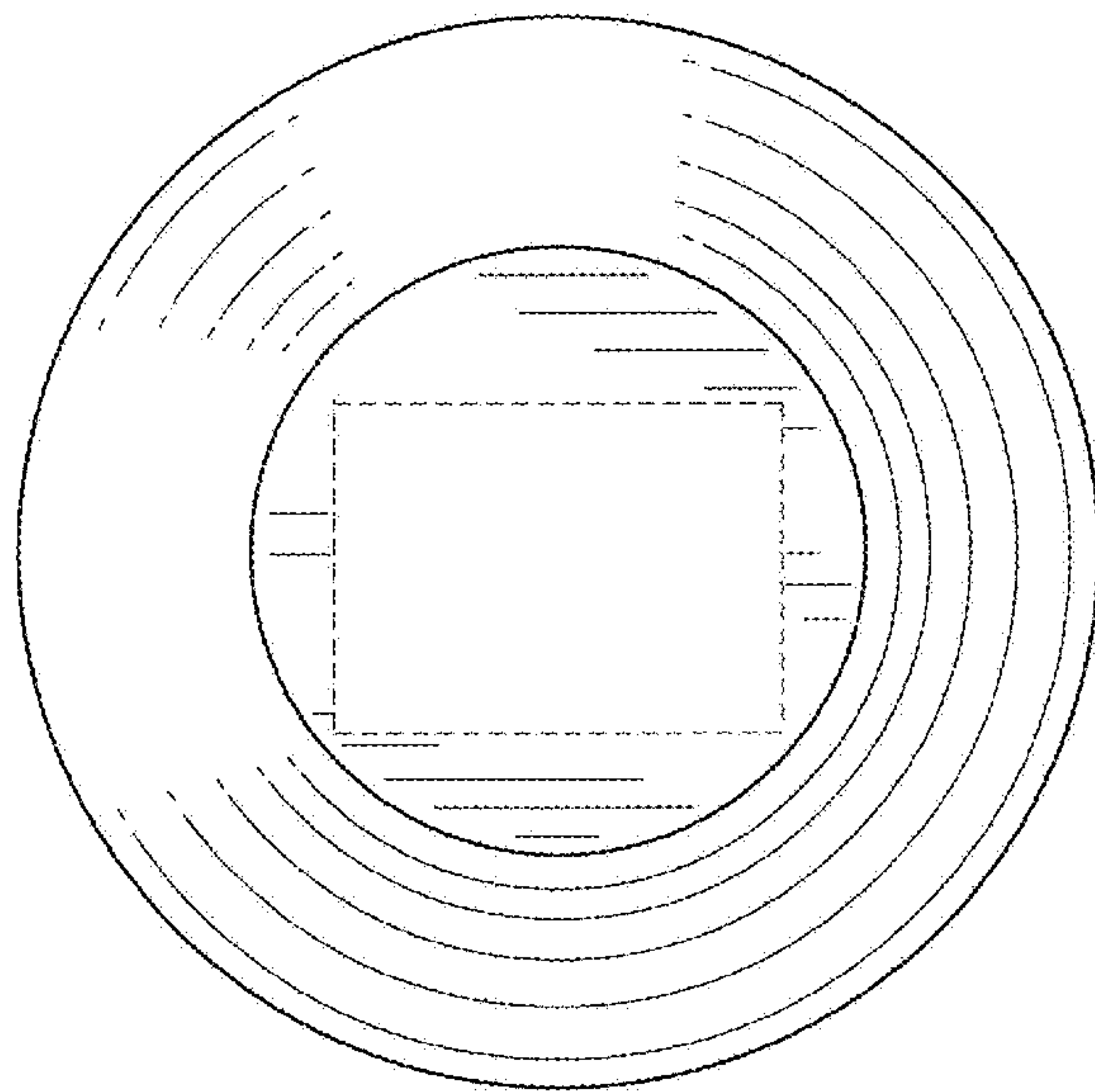


Fig. 3

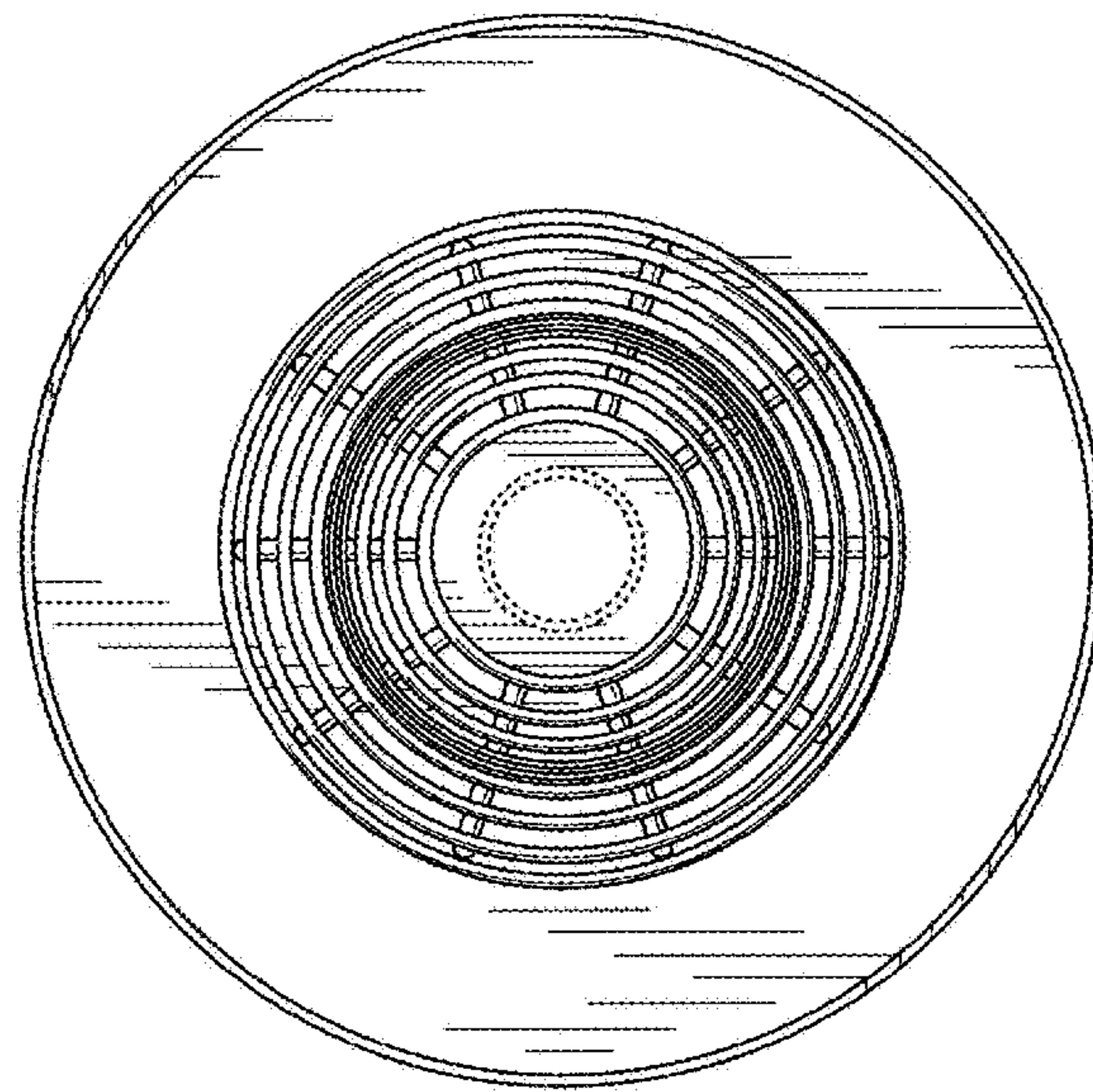


Fig. 4

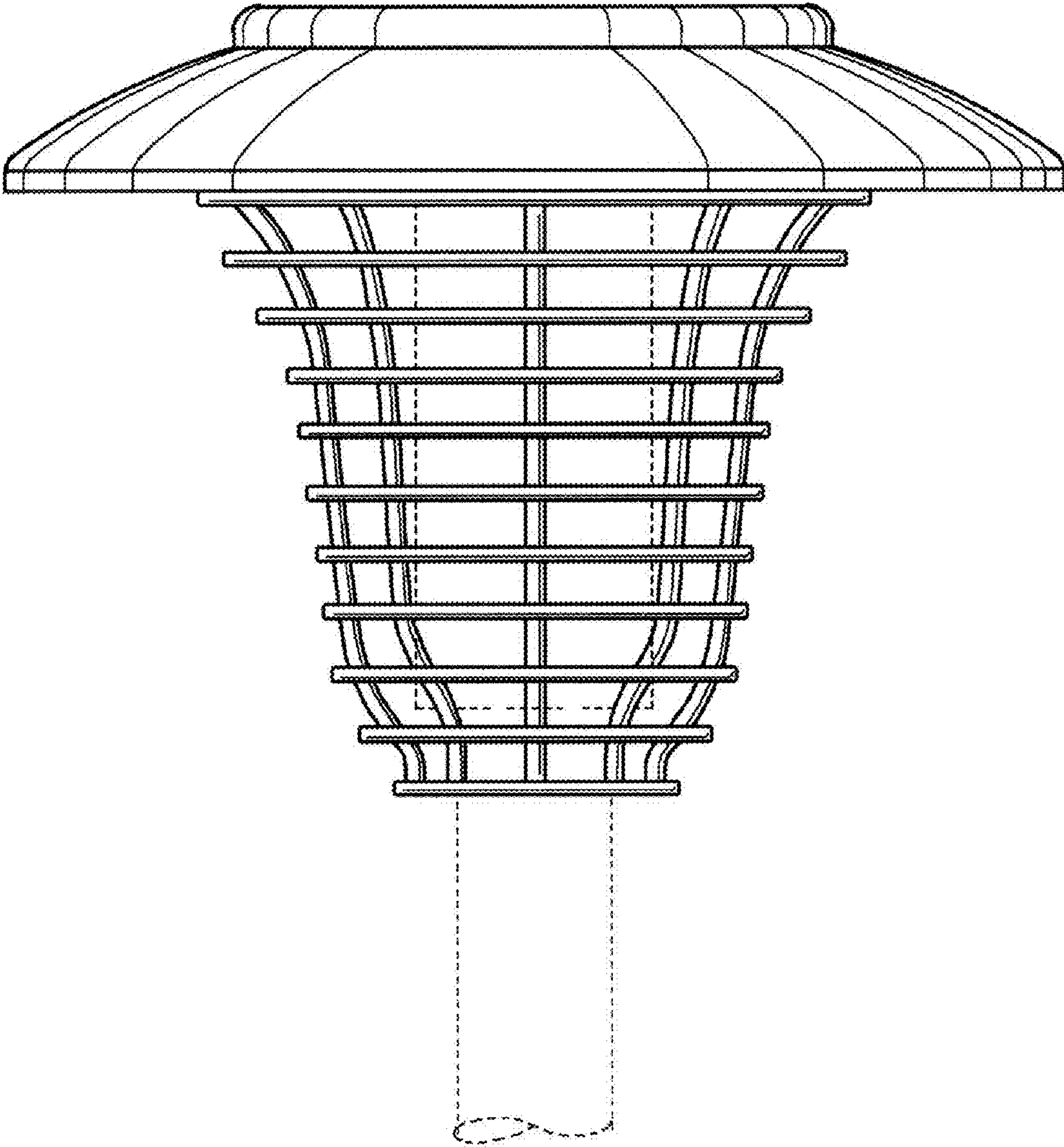


Fig. 5