



US00D596693S

(12) **United States Design Patent**  
**Nakayama**

(10) **Patent No.:** **US D596,693 S**  
(45) **Date of Patent:** **\*\* Jul. 21, 2009**

(54) **TRIGGER GUARD FOR A FIREARM**

(74) *Attorney, Agent, or Firm*—Geoffrey E. Dobbin

(75) Inventor: **Eric S. Nakayama**, Broomfield, CO  
(US)

(57) **CLAIM**

The ornamental design for a trigger guard for a firearm, as shown and described.

(73) Assignee: **Magpul Industries Corp.**, Erie, CO  
(US)

(\*\*) Term: **14 Years**

**DESCRIPTION**

(21) Appl. No.: **29/303,201**

FIG. 1 is a front plan view of the trigger guard.

(22) Filed: **Feb. 1, 2008**

FIG. 2 is a rear plan view of the trigger guard.

(51) **LOC (9) Cl.** ..... **22-01**

FIG. 3 is a left/front/top perspective view of the trigger guard.

(52) **U.S. Cl.** ..... **D22/108**

FIG. 4 is a right plan view of the trigger guard.

(58) **Field of Classification Search** ..... D22/100,  
D22/108, 109, 110, 199; 42/11, 72, 75.02,  
42/71.01, 85, 90, 106, 114, 113, 116, 119,  
42/124, 125, 127, 145, 128; 248/201, 205.1  
See application file for complete search history.

FIG. 5 is a left plan view of the trigger guard.

FIG. 6 is a top plan view of the trigger guard.

FIG. 7 is a bottom plan view of the trigger guard.

FIG. 8 is a right/top/rear perspective view of the trigger guard.

FIG. 9 is a right/bottom/rear perspective view of the trigger guard.

(56) **References Cited**

FIG. 10 is a right/bottom/front perspective view of the trigger guard.

**U.S. PATENT DOCUMENTS**

FIG. 11 is a right/top/front perspective view of the trigger guard.

D110,526 S \* 7/1938 Mossberg ..... D22/108

FIG. 12 is a left/bottom/front perspective view of the trigger guard.

D110,729 S \* 8/1938 Mossberg ..... D22/108

FIG. 13 is a left/bottom/rear perspective view of the trigger guard; and,

3,142,126 A \* 7/1964 Rohm ..... 42/69.01

FIG. 14 is a left/top/rear perspective view of the trigger guard.

3,964,200 A \* 6/1976 Patterson ..... 42/70.07

The broken lines are included for the purpose of illustrating environment and form no part of the claimed design.

D347,256 S \* 5/1994 Strayer et al. .... D22/108

D366,514 S \* 1/1996 Hochstrate et al. .... D22/108

D574,927 S \* 8/2008 Larsen ..... D23/226

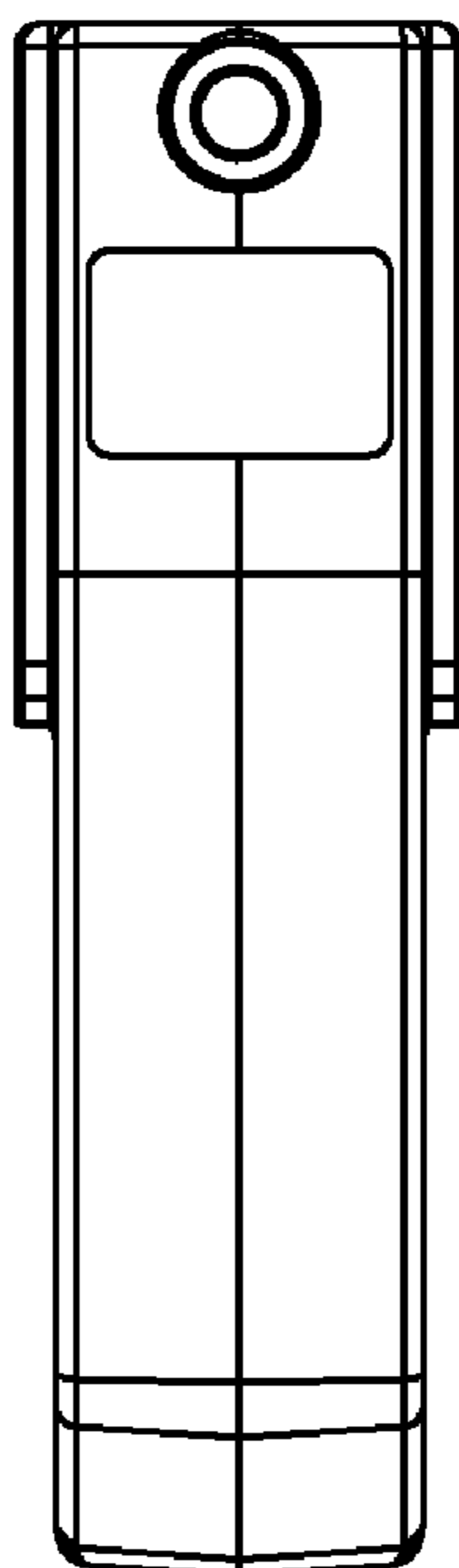
2005/0183317 A1 \* 8/2005 Finn ..... 42/72

\* cited by examiner

*Primary Examiner*—T. Chase Nelson

*Assistant Examiner*—Michael A Pratt

**1 Claim, 4 Drawing Sheets**



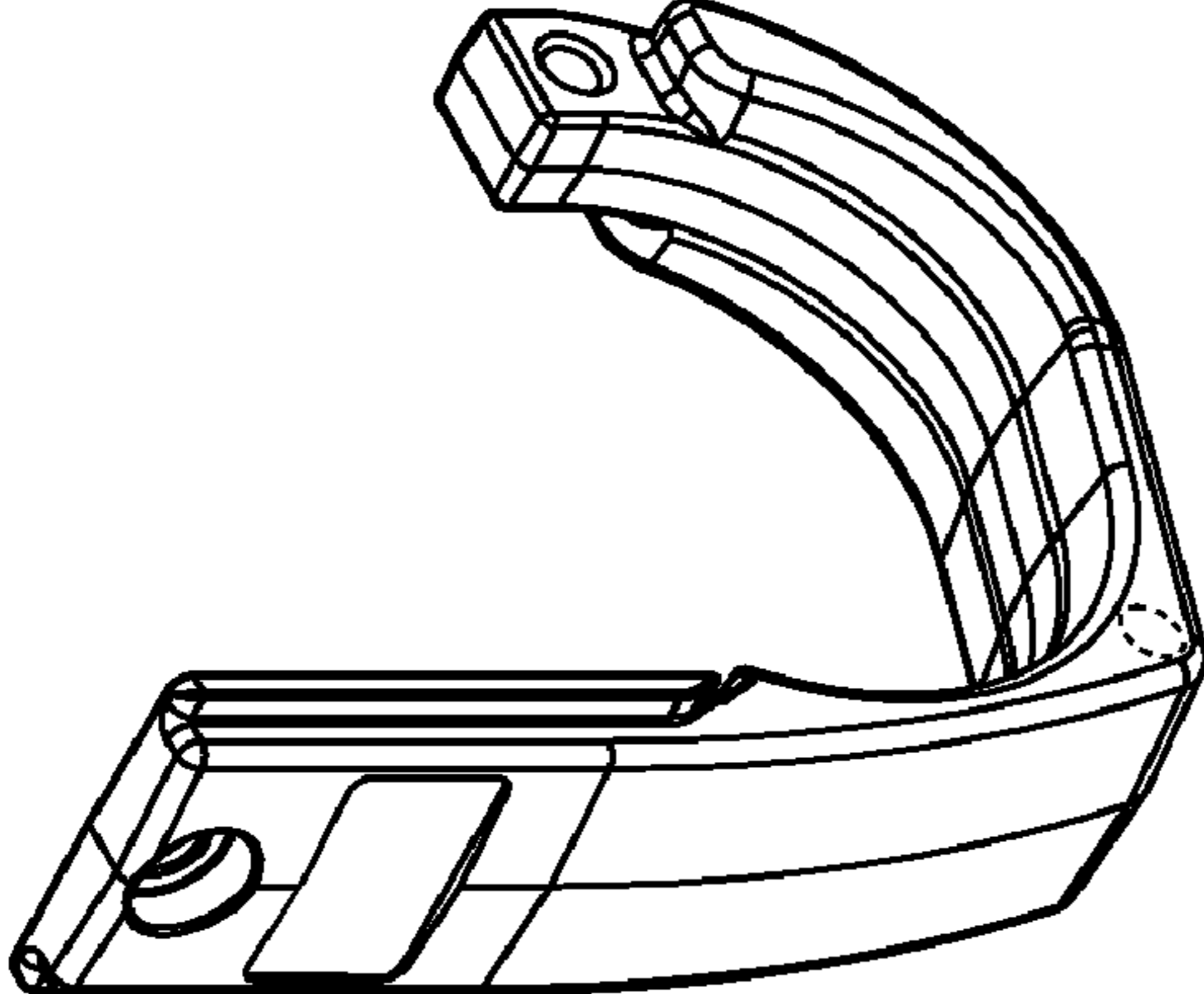


FIG. 3

FIG. 2

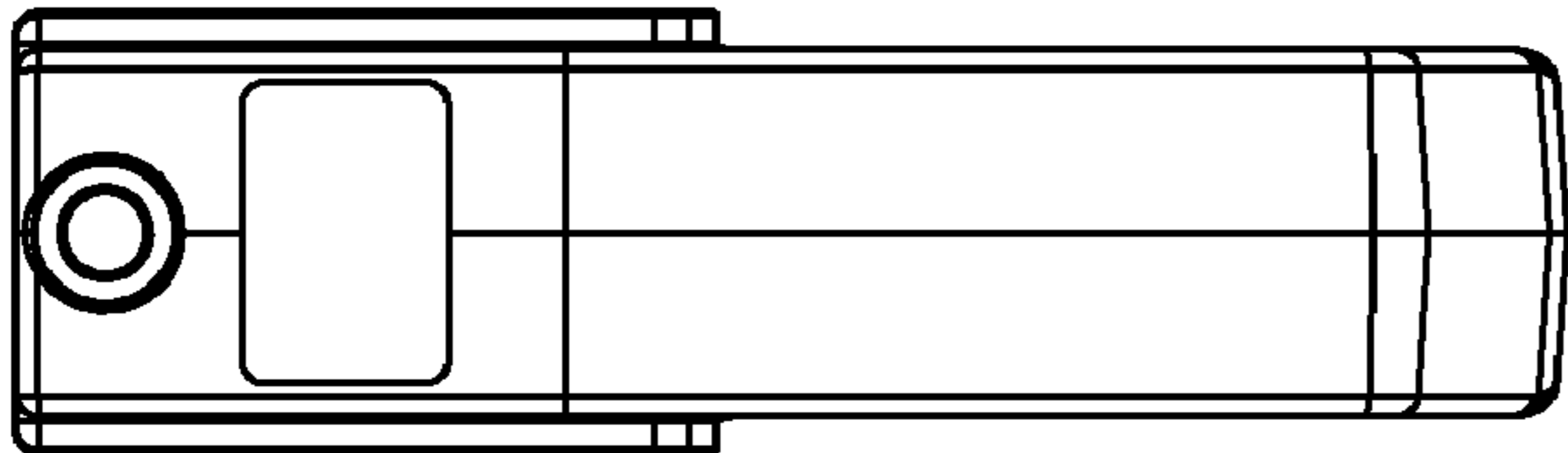
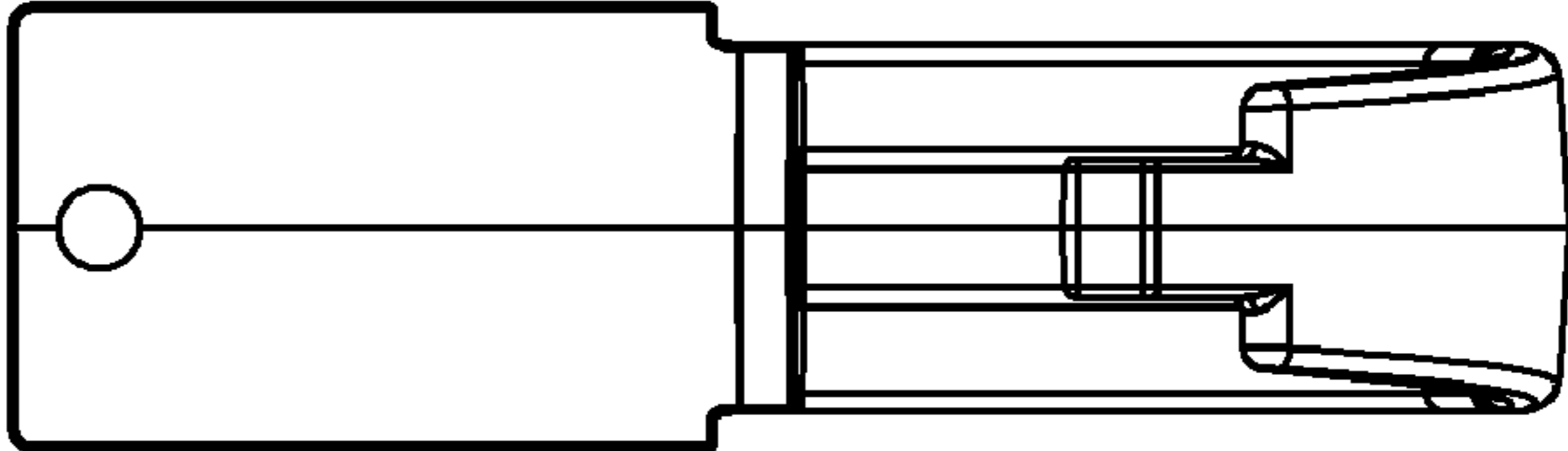


FIG. 1

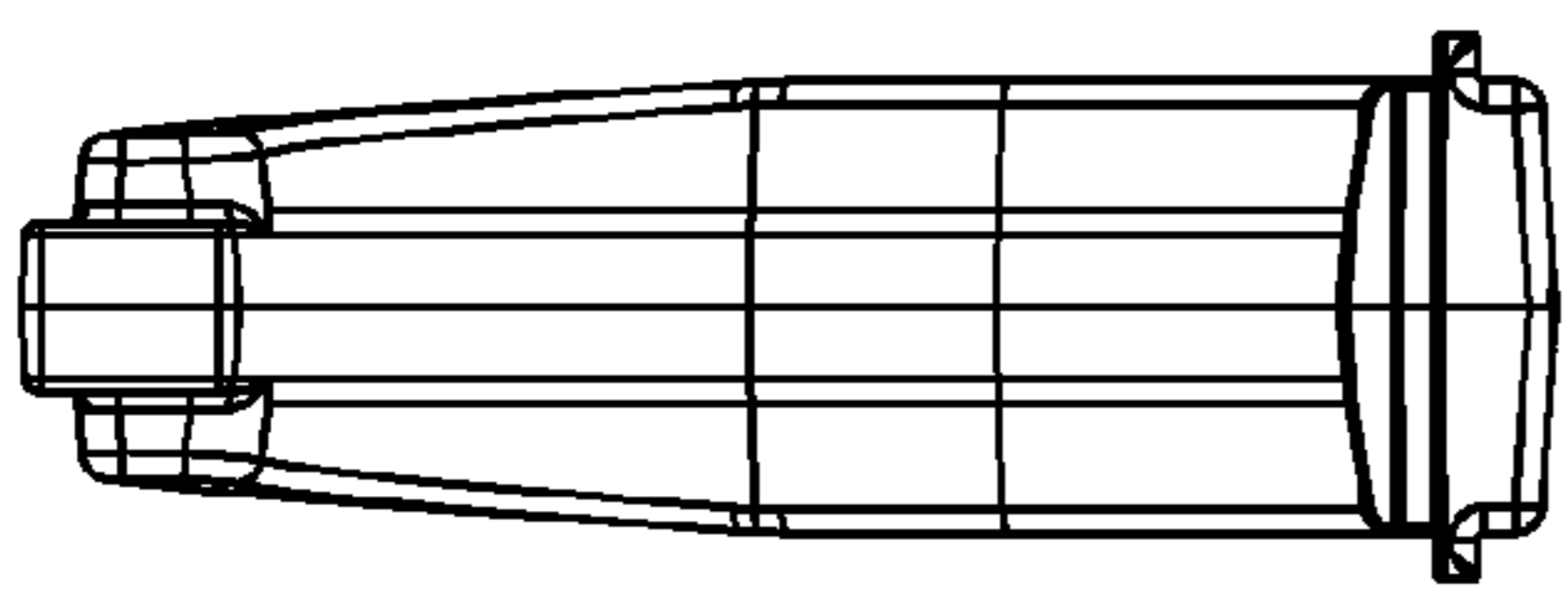


FIG. 6

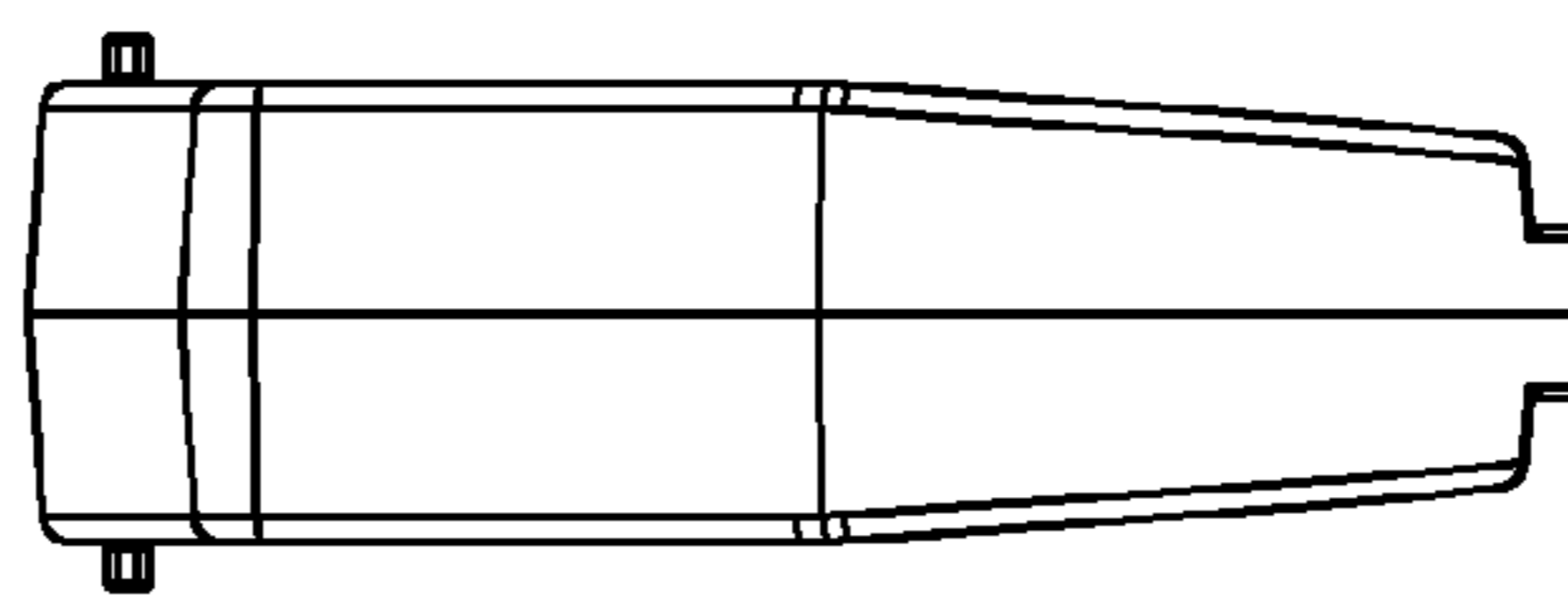


FIG. 7

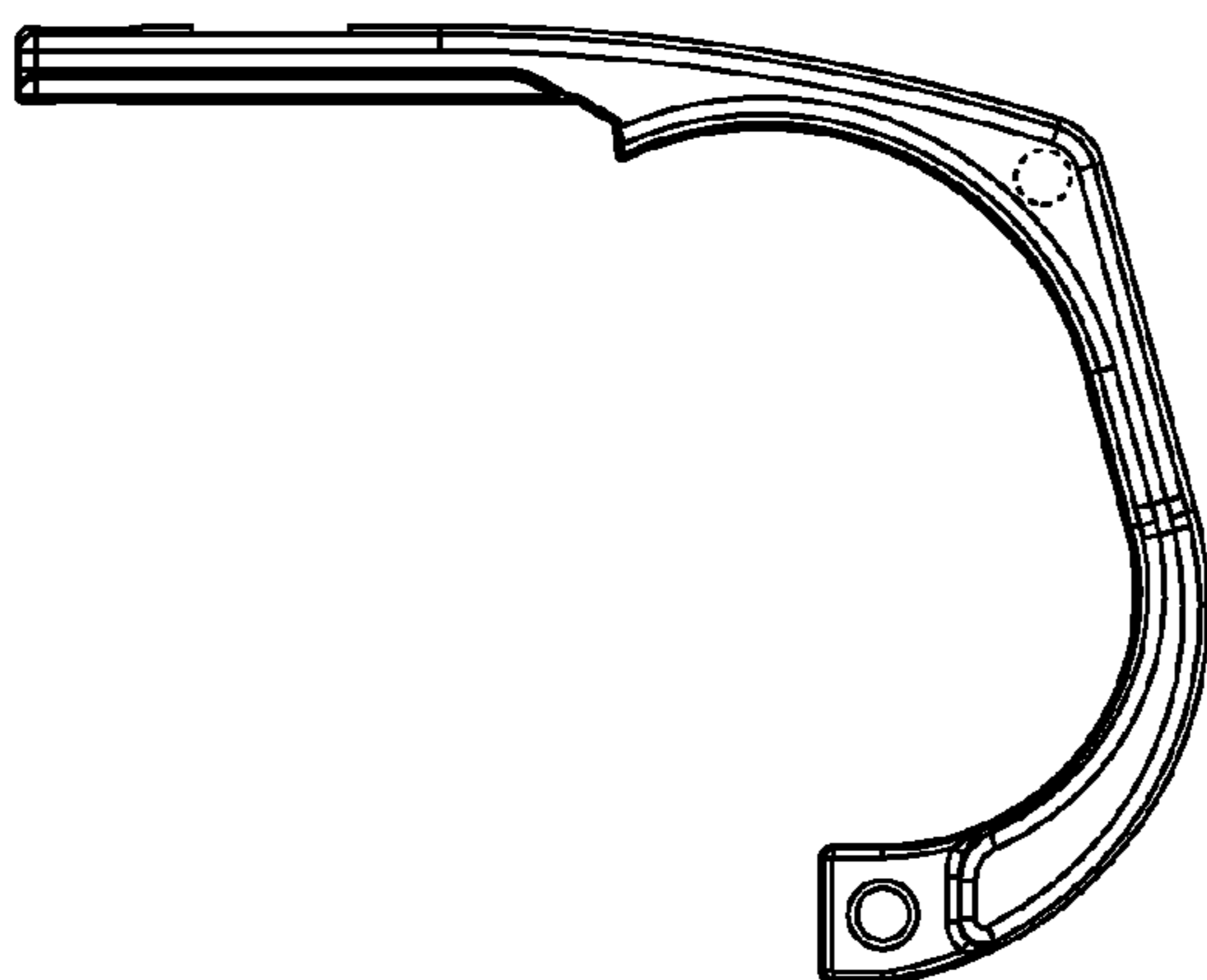


FIG. 4

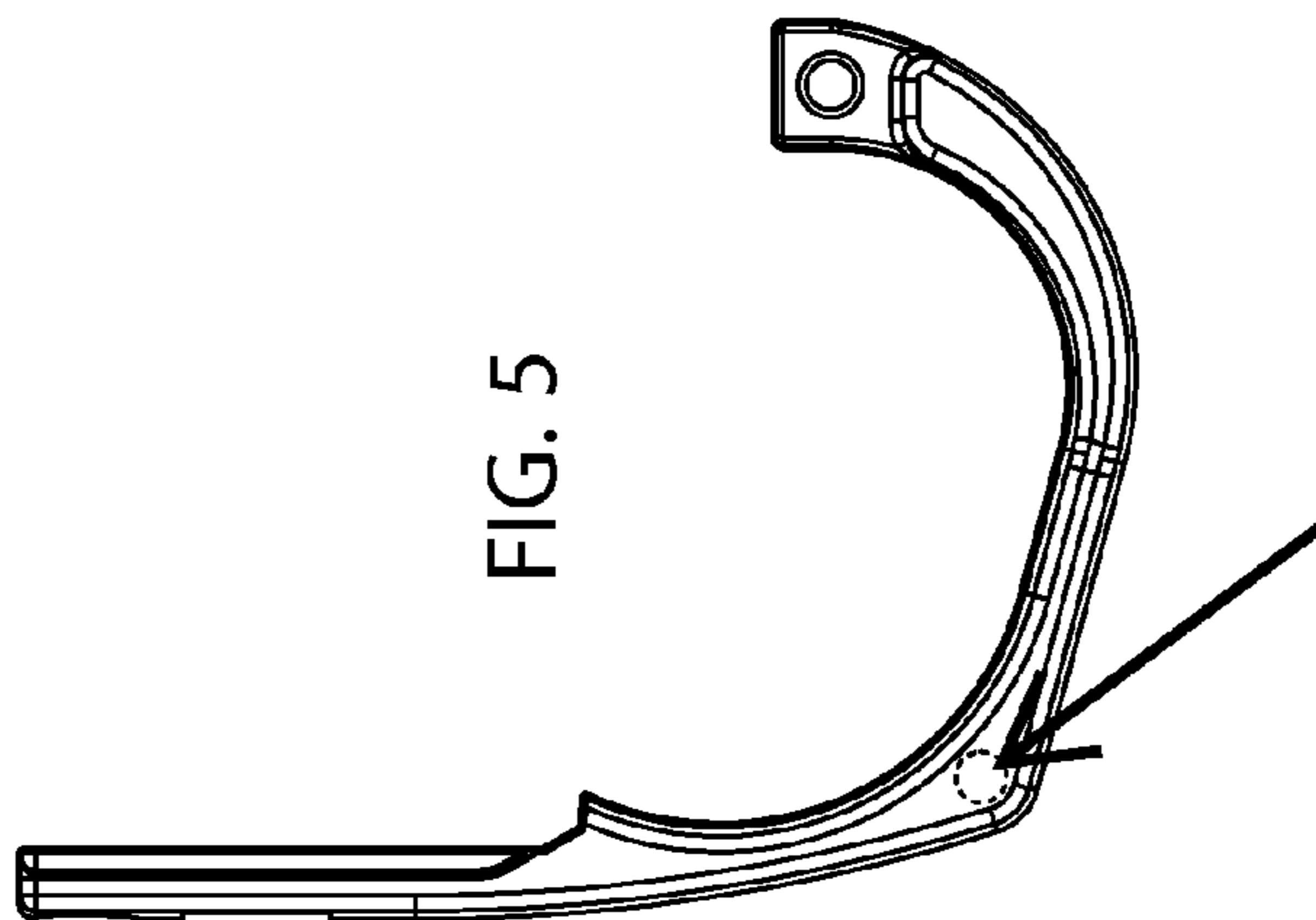


FIG. 5

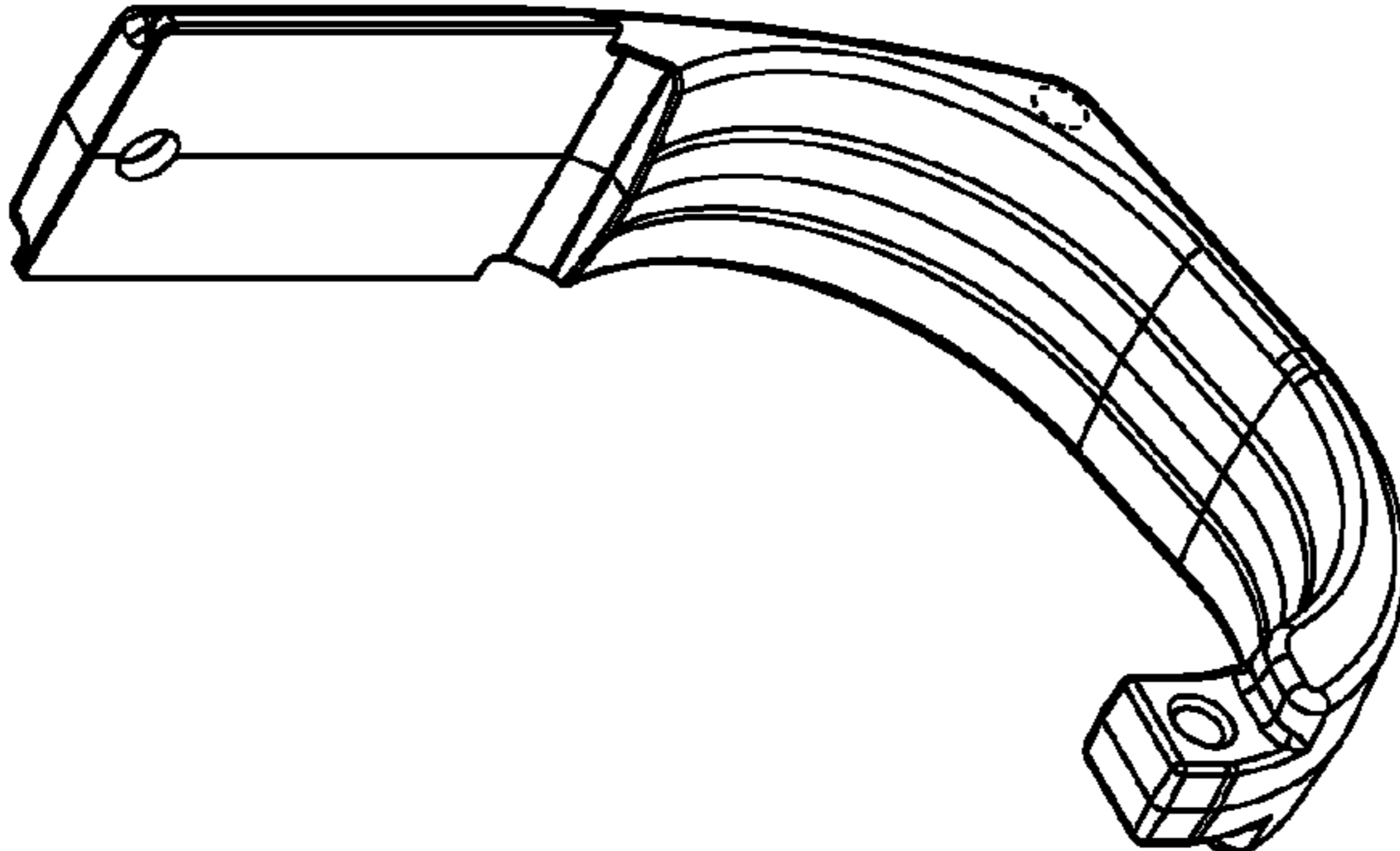


FIG. 8

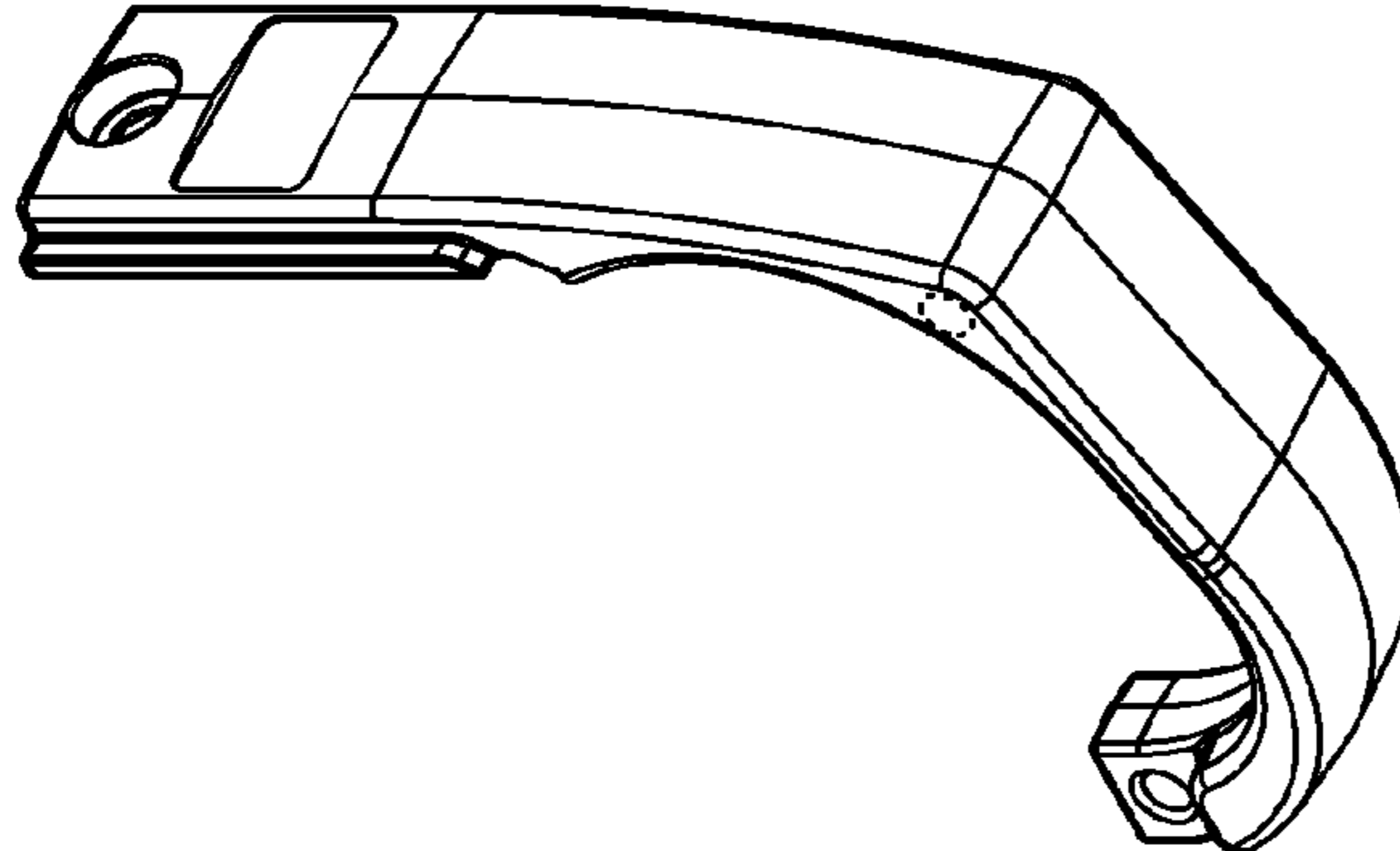


FIG. 10

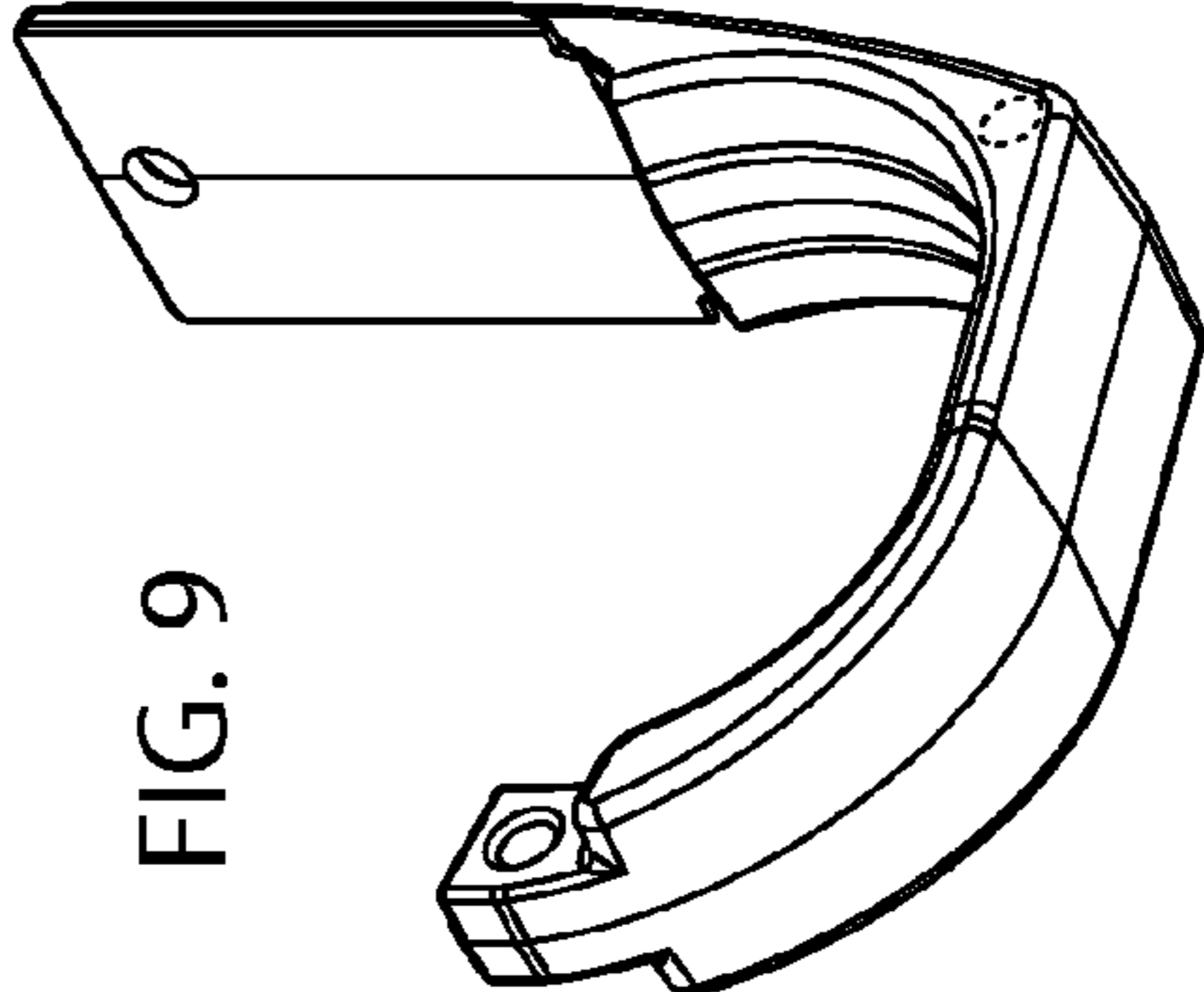


FIG. 9

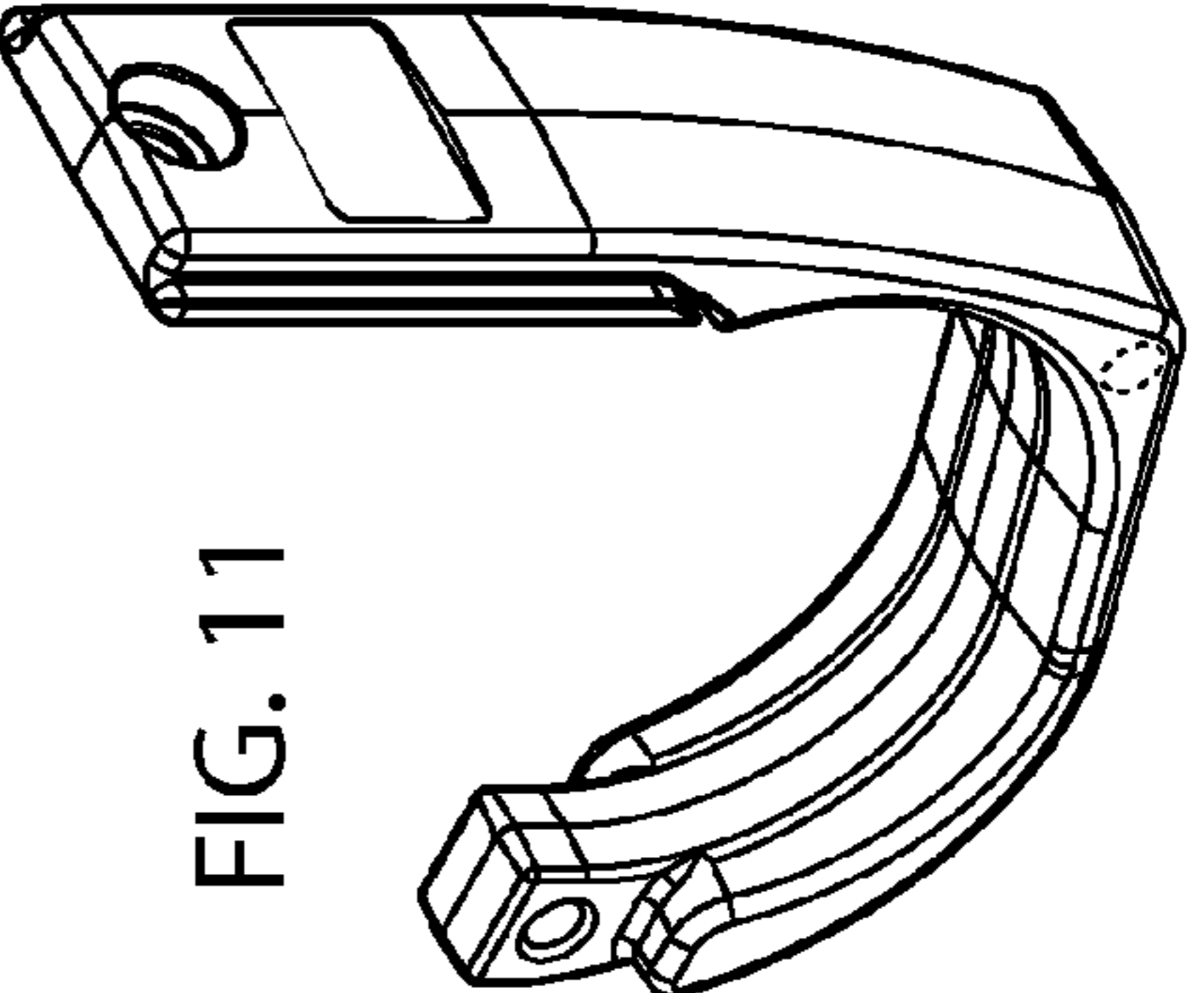


FIG. 11

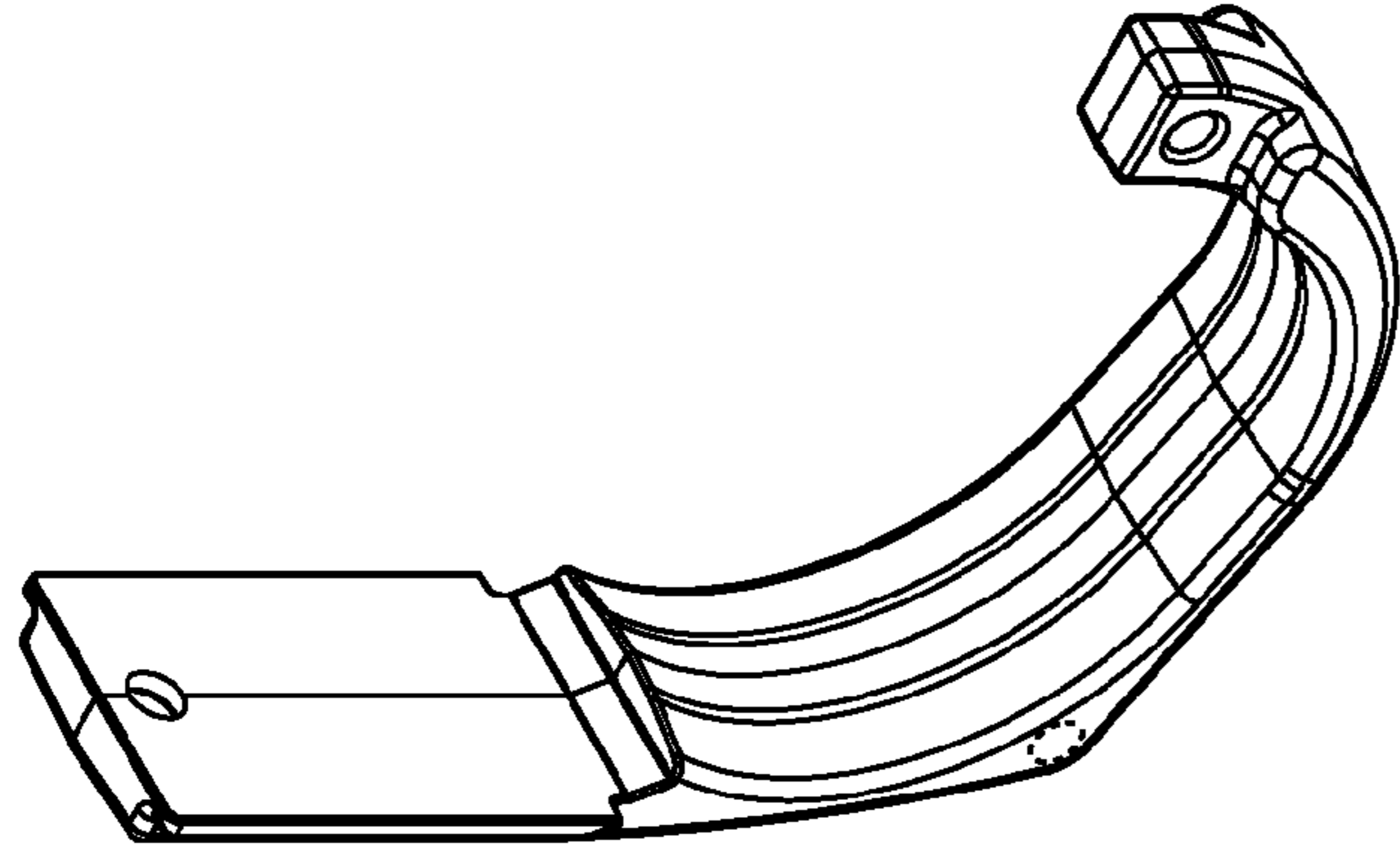


FIG. 14

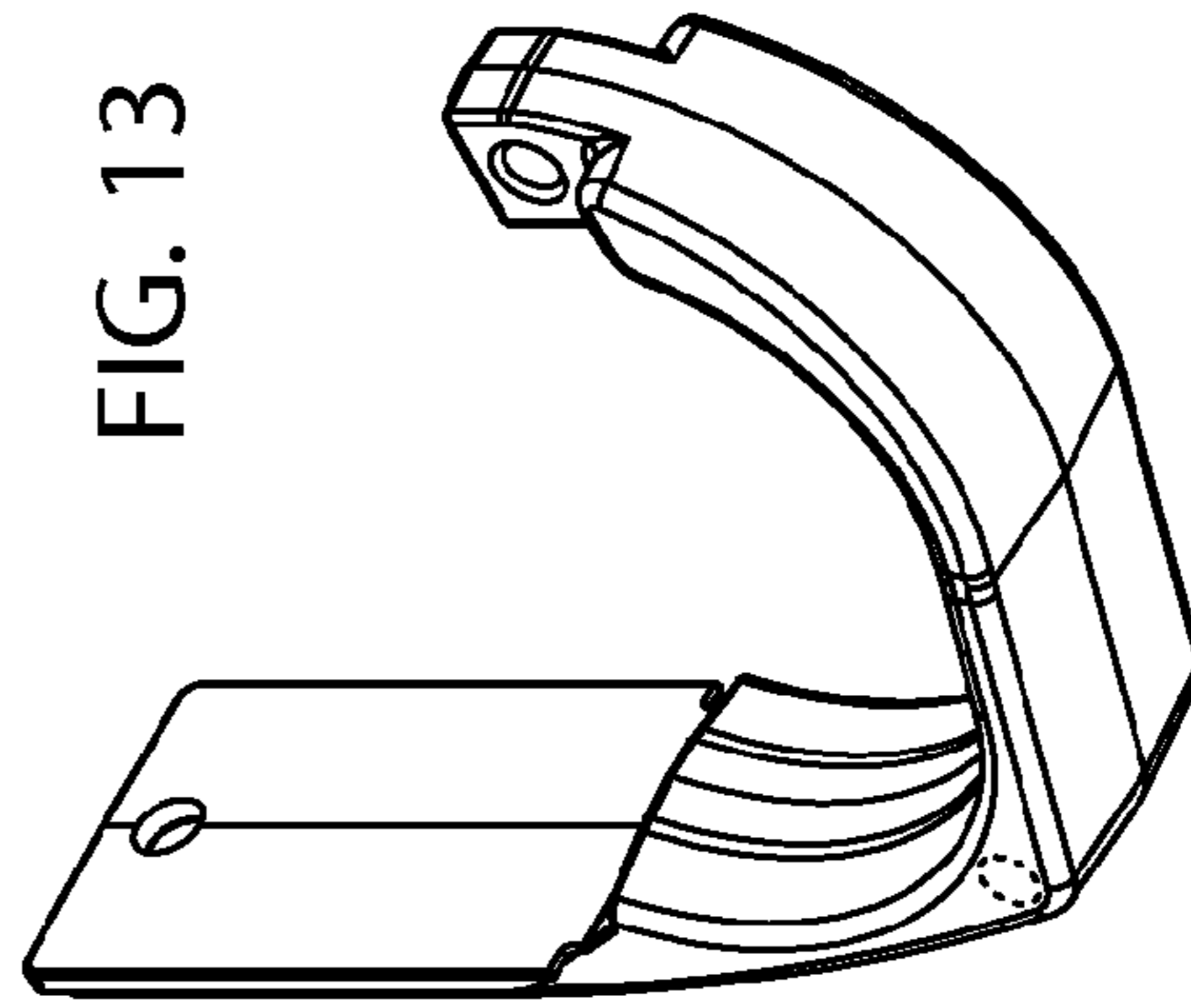


FIG. 13

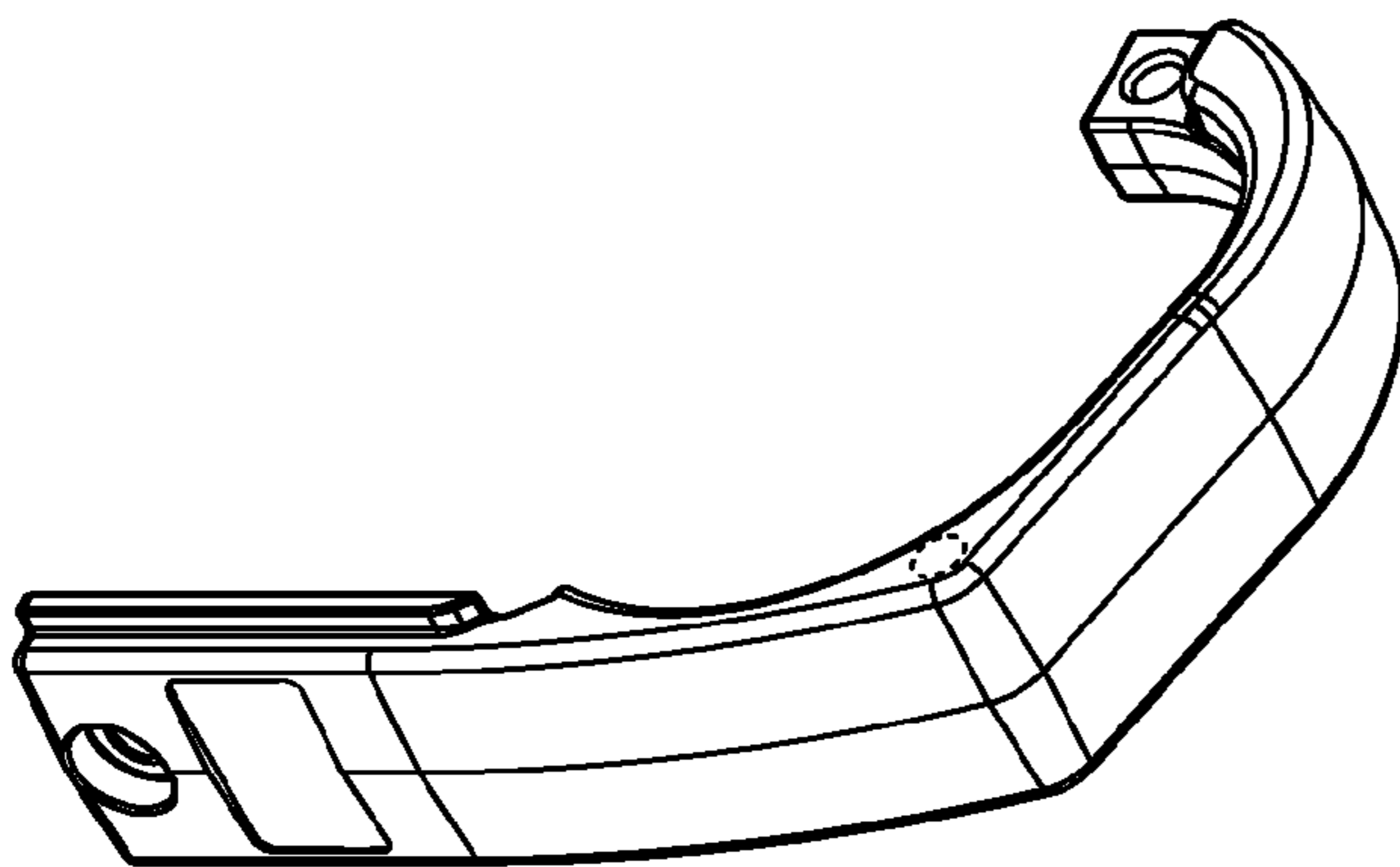


FIG. 12