



US00D596686S

(12) **United States Design Patent**  
**Grace**

(10) **Patent No.:** **US D596,686 S**  
(45) **Date of Patent:** **\*\* Jul. 21, 2009**

(54) **REMOVABLE PUTTER FACEPLATE**

(75) Inventor: **Robert M. Grace**, St. Pete Beach, FL  
(US)

(73) Assignee: **MacGregor Golf Company**, Albany,  
GA (US)

(\*\*) Term: **14 Years**

(21) Appl. No.: **29/324,577**

(22) Filed: **Sep. 16, 2008**

**Related U.S. Application Data**

(62) Division of application No. 29/274,968, filed on Jun.  
13, 2007, now Pat. No. Des. 578,589.

(51) **LOC (9) Cl.** ..... **21-02**

(52) **U.S. Cl.** ..... **D21/759**

(58) **Field of Classification Search** ..... D21/736-746,  
D21/752, 759; 473/324-331, 340-341  
See application file for complete search history.

(56) **References Cited**

**U.S. PATENT DOCUMENTS**

3,516,674 A \* 6/1970 Scarborough ..... 473/311  
5,332,214 A \* 7/1994 Tucker, Sr. .... 473/329

6,375,583 B1 \* 4/2002 Solheim ..... 473/329  
6,929,564 B2 \* 8/2005 Olsavsky et al. .... 473/340  
D553,702 S \* 10/2007 Frame et al. .... D21/759  
D577,781 S \* 9/2008 Grace ..... D21/759  
D578,589 S \* 10/2008 Grace ..... D21/759  
2005/0130764 A1 \* 6/2005 Frame ..... 473/340

\* cited by examiner

*Primary Examiner*—Mitchell I Siegel

(74) *Attorney, Agent, or Firm*—Buchanan Ingersoll &  
Rooney PC

(57) **CLAIM**

The ornamental design for a removable putter faceplate, as  
shown and described.

**DESCRIPTION**

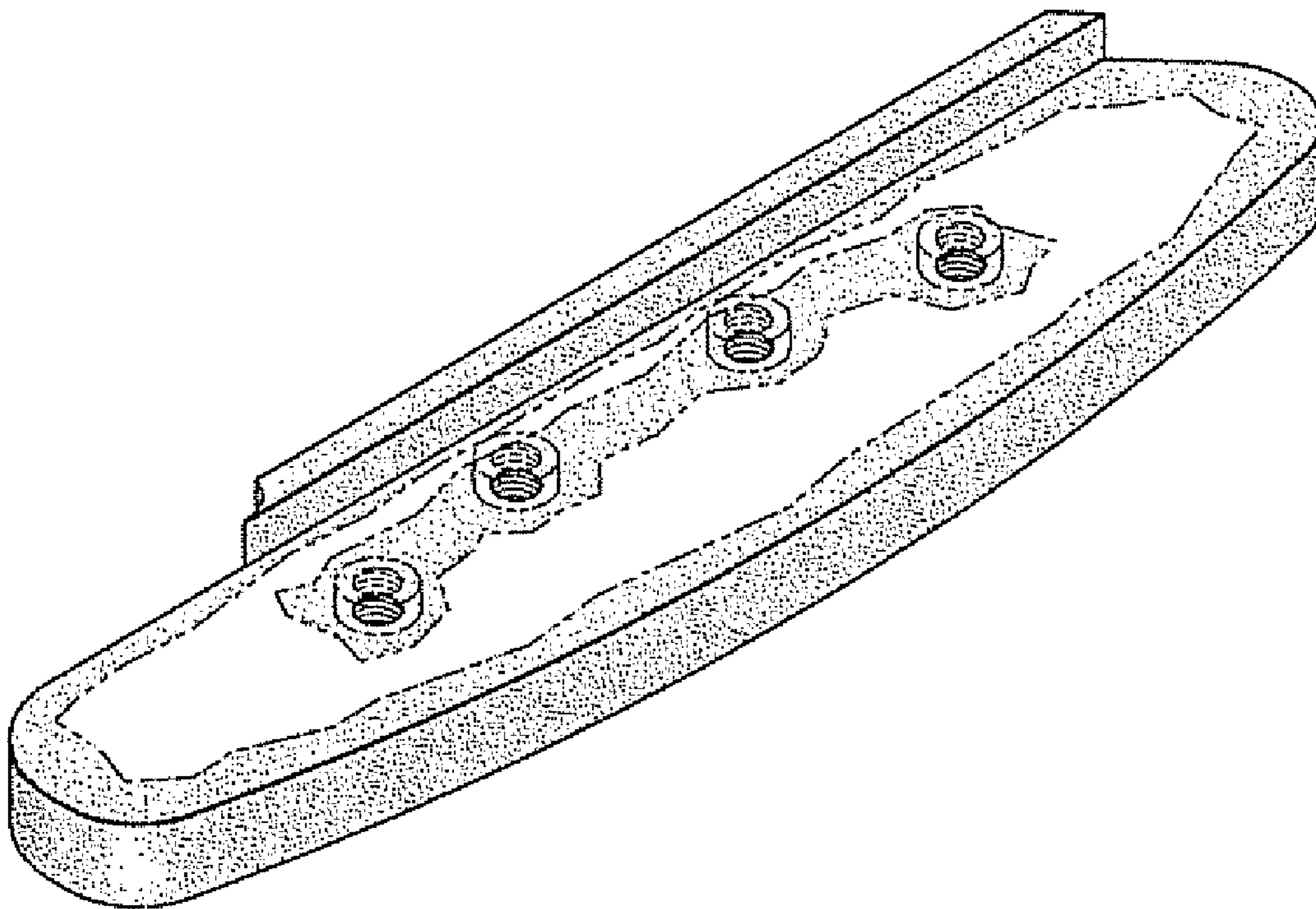
FIG. 1 is a bottom, rear perspective view of a removable putter  
faceplate showing my new design.

FIG. 2 is a rear view thereof; and,

FIG. 3 is a cross-sectional view taken generally along line  
3—3 shown in FIG. 2.

The broken line showing of various portions of the removable  
putter faceplate is for illustrative purposes only and forms no  
part of the claimed design.

**1 Claim, 1 Drawing Sheet**



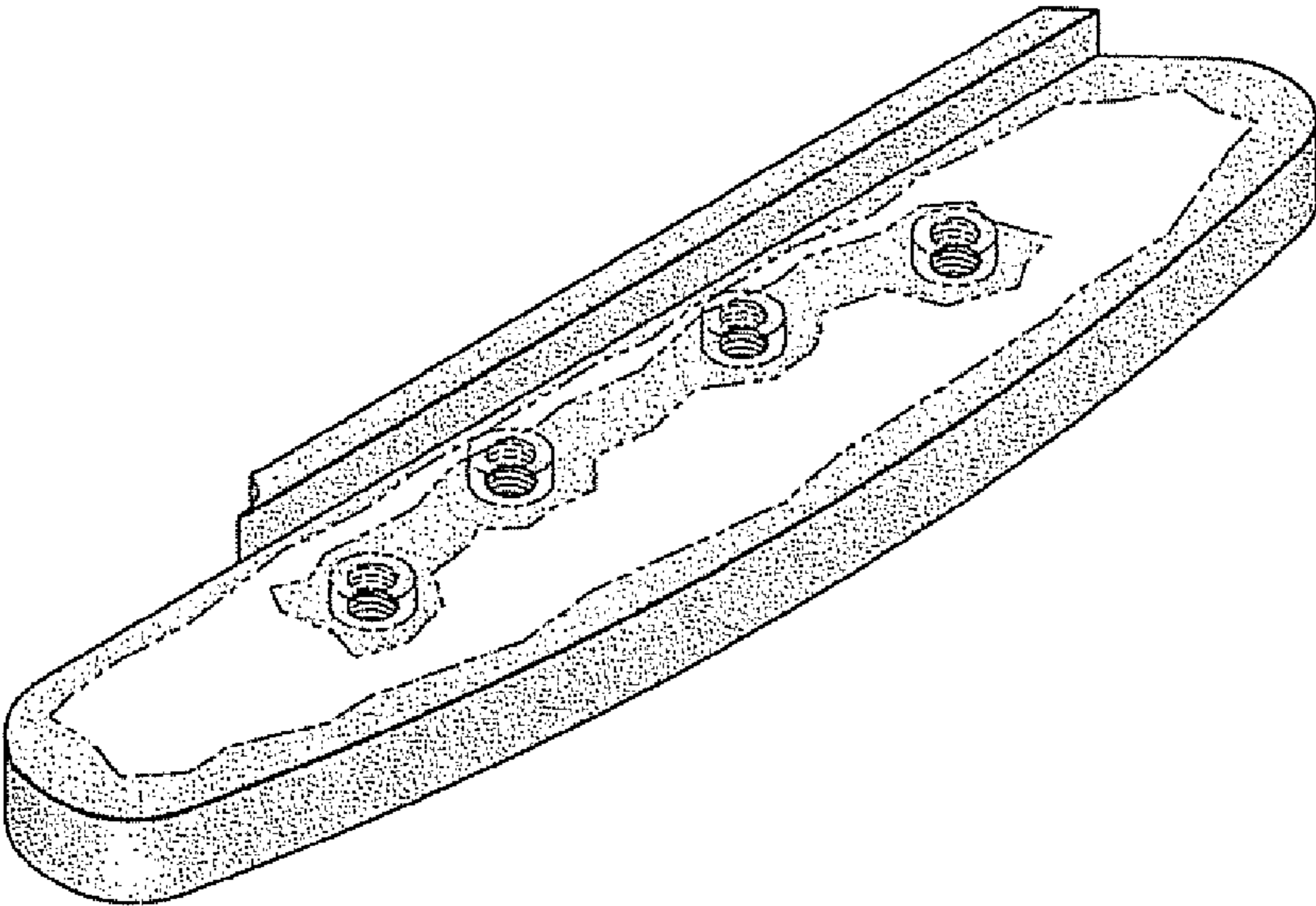


FIG. 1

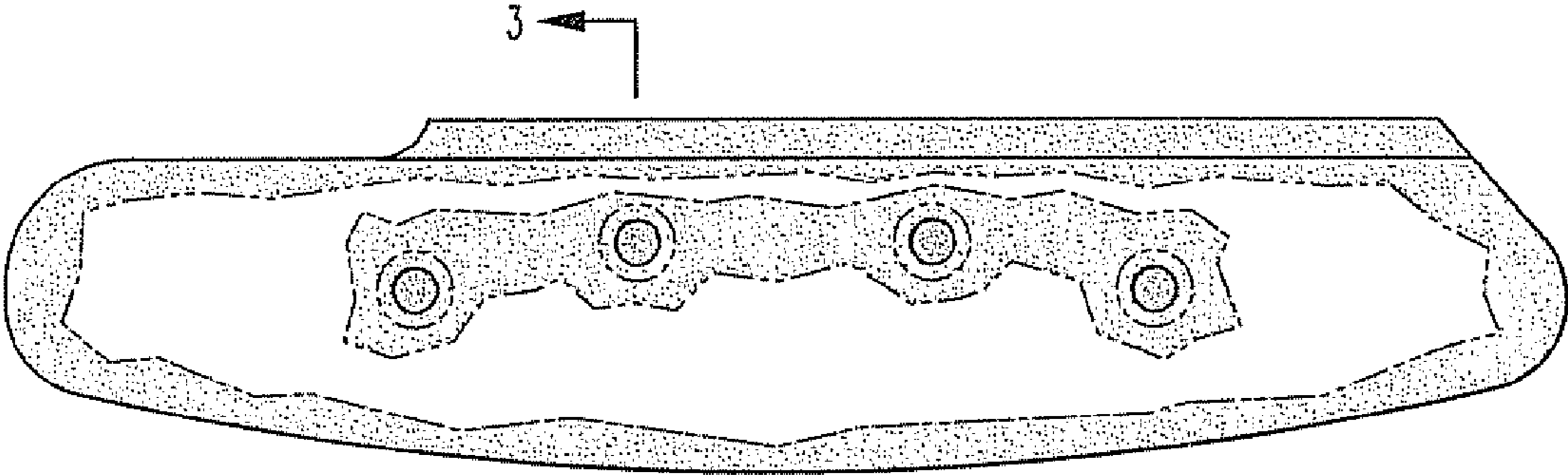


FIG. 2

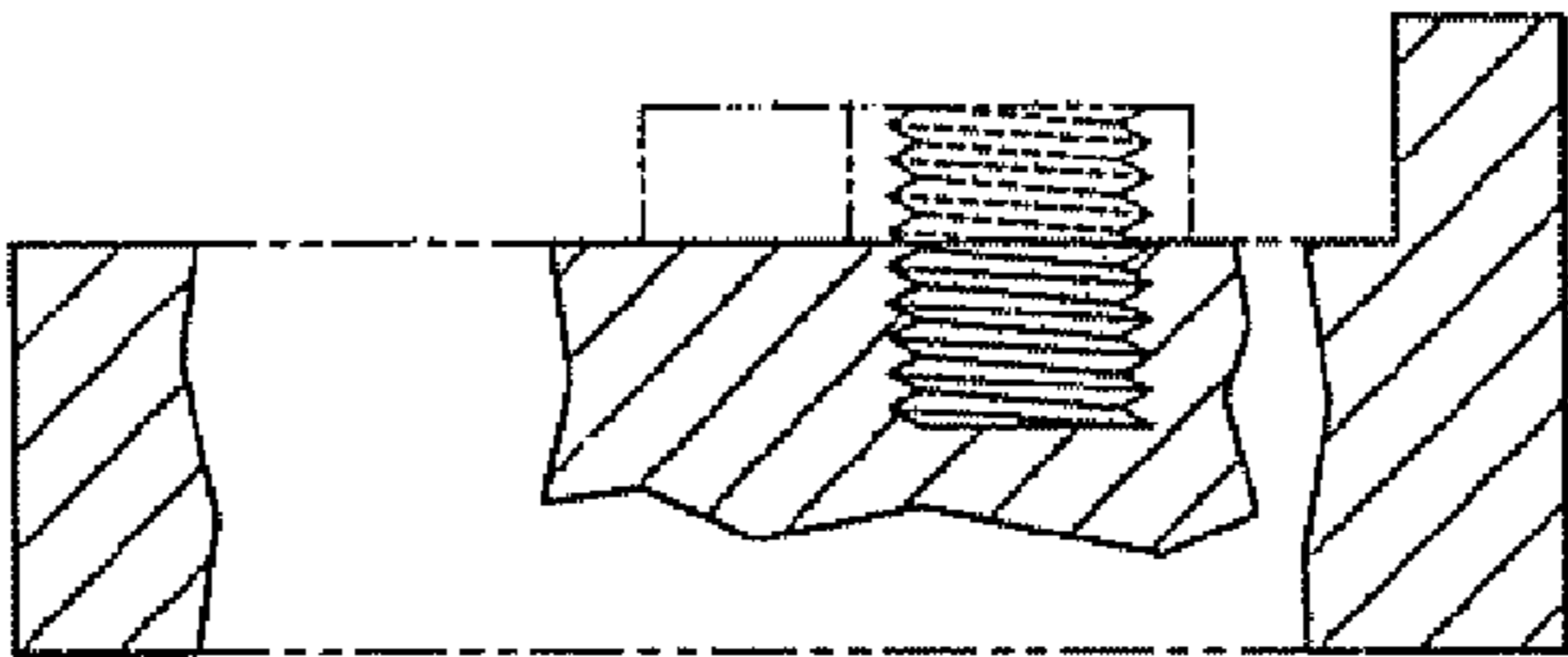


FIG. 3