



US00D596683S

(12) **United States Design Patent**
Hettinger

(10) **Patent No.:** **US D596,683 S**

(45) **Date of Patent:** **** Jul. 21, 2009**

(54) **PUTTER HEAD**

D463,517 S * 9/2002 Ngon D21/736
D472,949 S * 4/2003 Serrano D21/736

(76) **Inventor:** **Ronald K. Hettinger**, 4239 Alta Vista Ct., Oceanside, CA (US) 92057

* cited by examiner

(**) **Term:** **14 Years**

Primary Examiner—Mitchell I Siegel

(21) **Appl. No.:** **29/325,791**

(57) **CLAIM**

(22) **Filed:** **Oct. 6, 2008**

The ornamental design for a putter head, as shown and described.

(51) **LOC (9) Cl.** **21-02**

(52) **U.S. Cl.** **D21/746**

(58) **Field of Classification Search** D21/736-746;
473/324-331, 340-341

See application file for complete search history.

DESCRIPTION

(56) **References Cited**

FIG. 1 is a top perspective view of a golf club head as claimed herein;

FIG. 2 is a front elevational view thereof;

FIG. 3 is a top plan view thereof;

FIG. 4 is a rear elevational view thereof;

FIG. 5 is a bottom plan view thereof

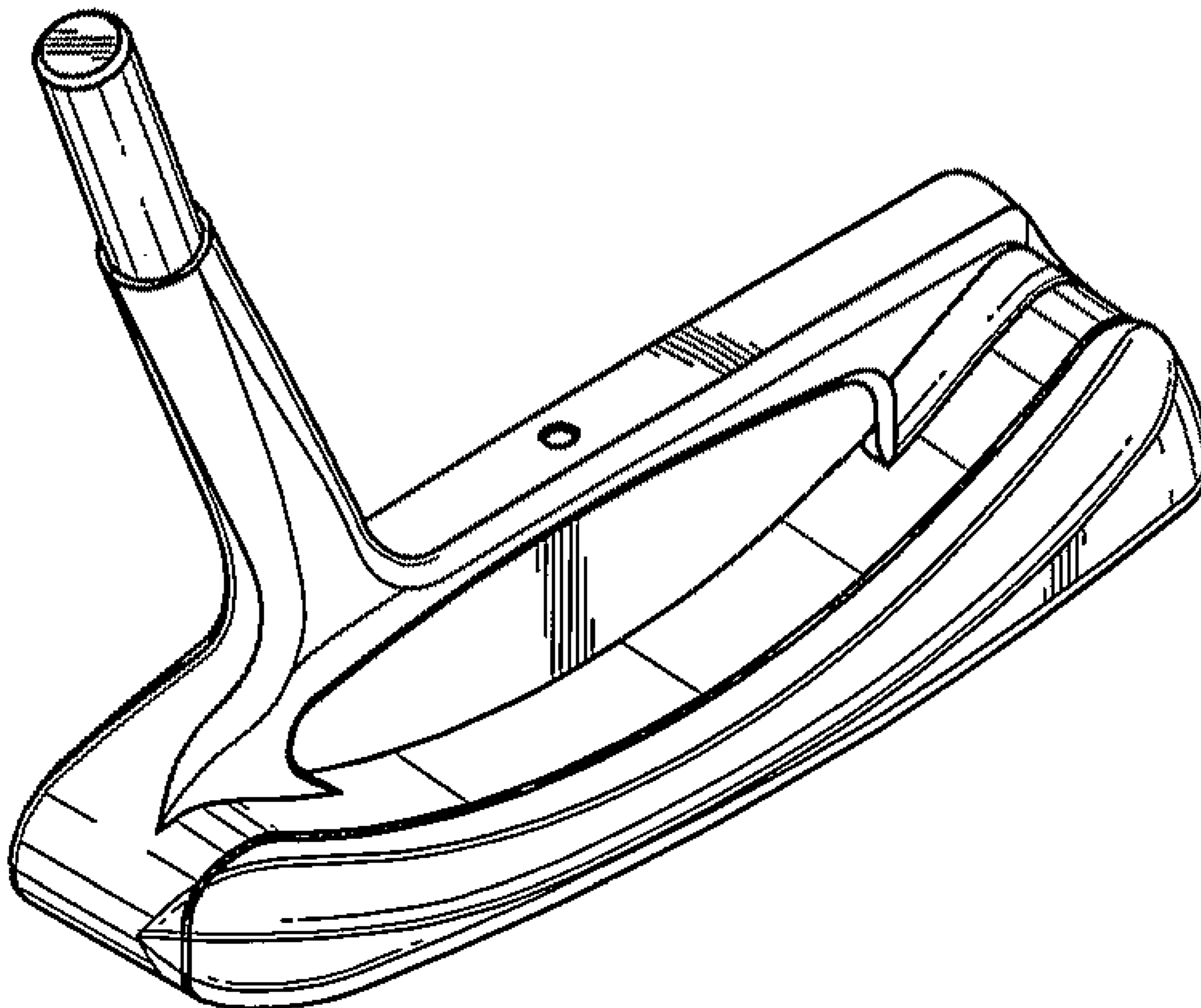
FIG. 6 is a toe elevational view thereof; and,

FIG. 7 is a heel elevational view thereof.

U.S. PATENT DOCUMENTS

- D207,227 S * 3/1967 Solheim D21/739
- D213,509 S * 3/1969 Solheim D21/743
- D231,375 S * 4/1974 Solheim D21/742
- D408,064 S * 4/1999 Slucker D21/736
- D427,262 S * 6/2000 Frazetta D21/743
- D443,905 S * 6/2001 Nicolette et al. D21/743

1 Claim, 2 Drawing Sheets



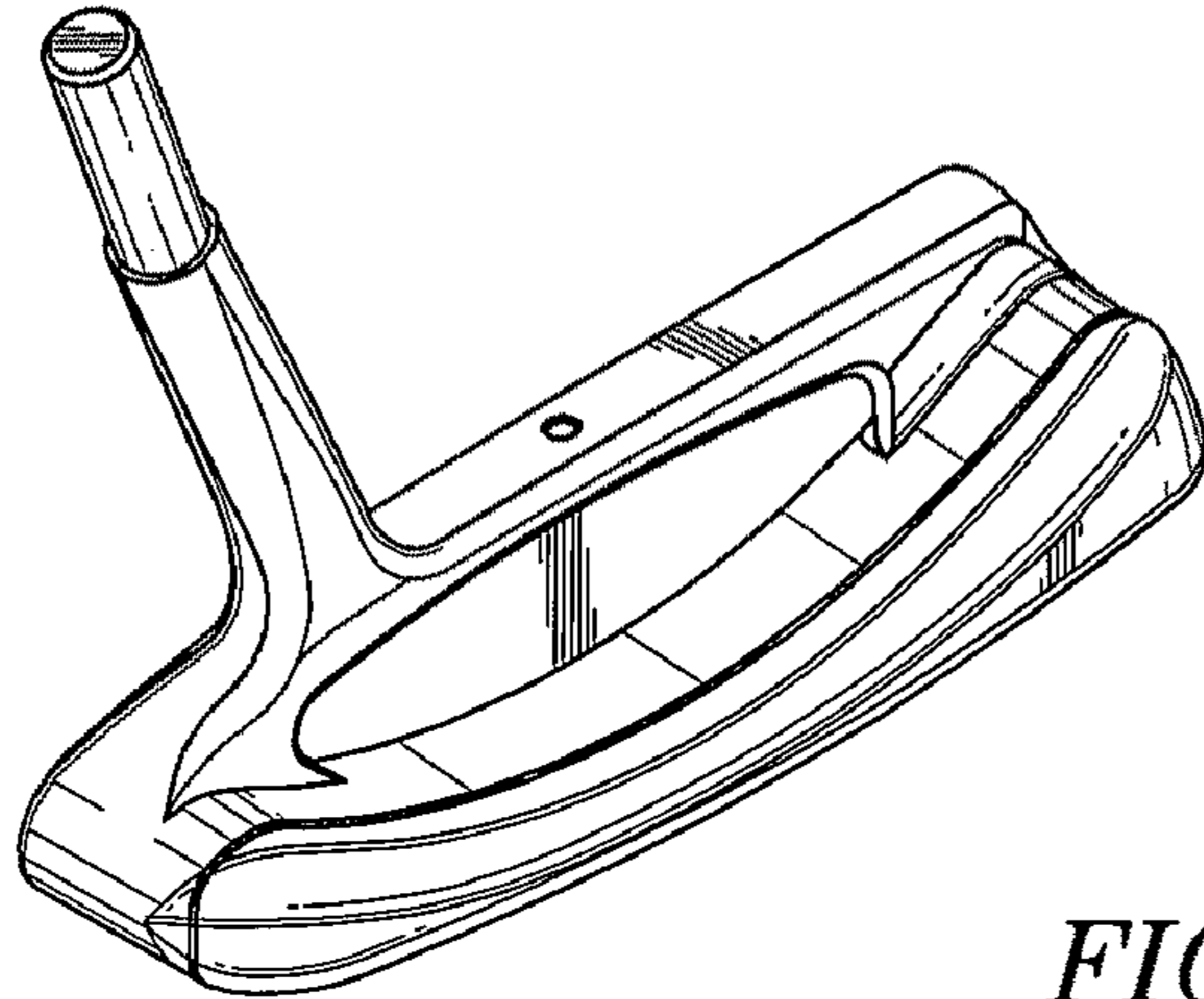


FIG. 1

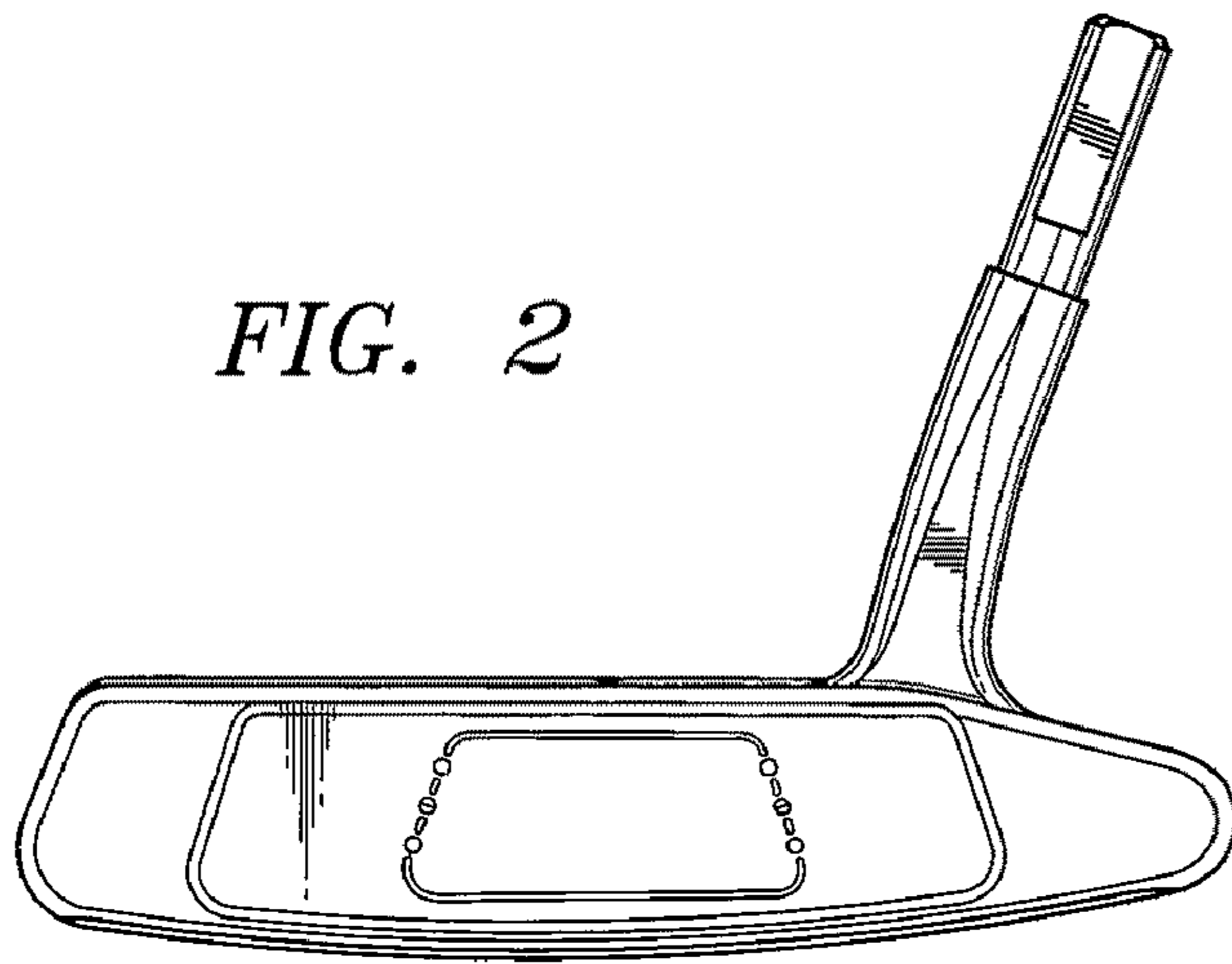


FIG. 2

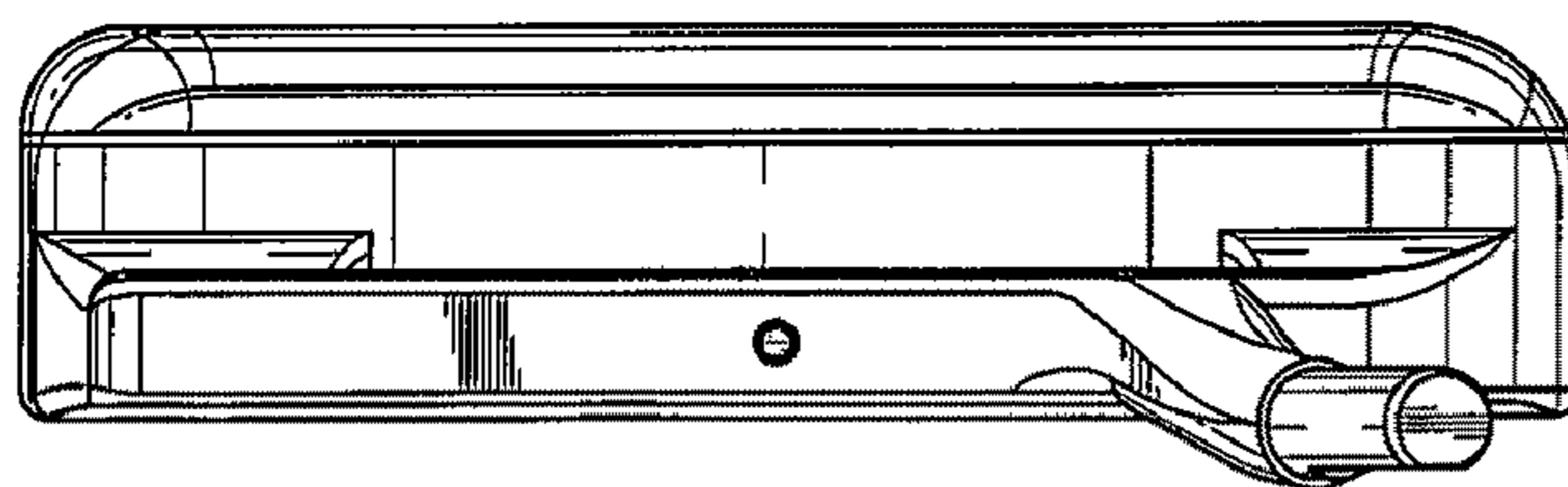


FIG. 3

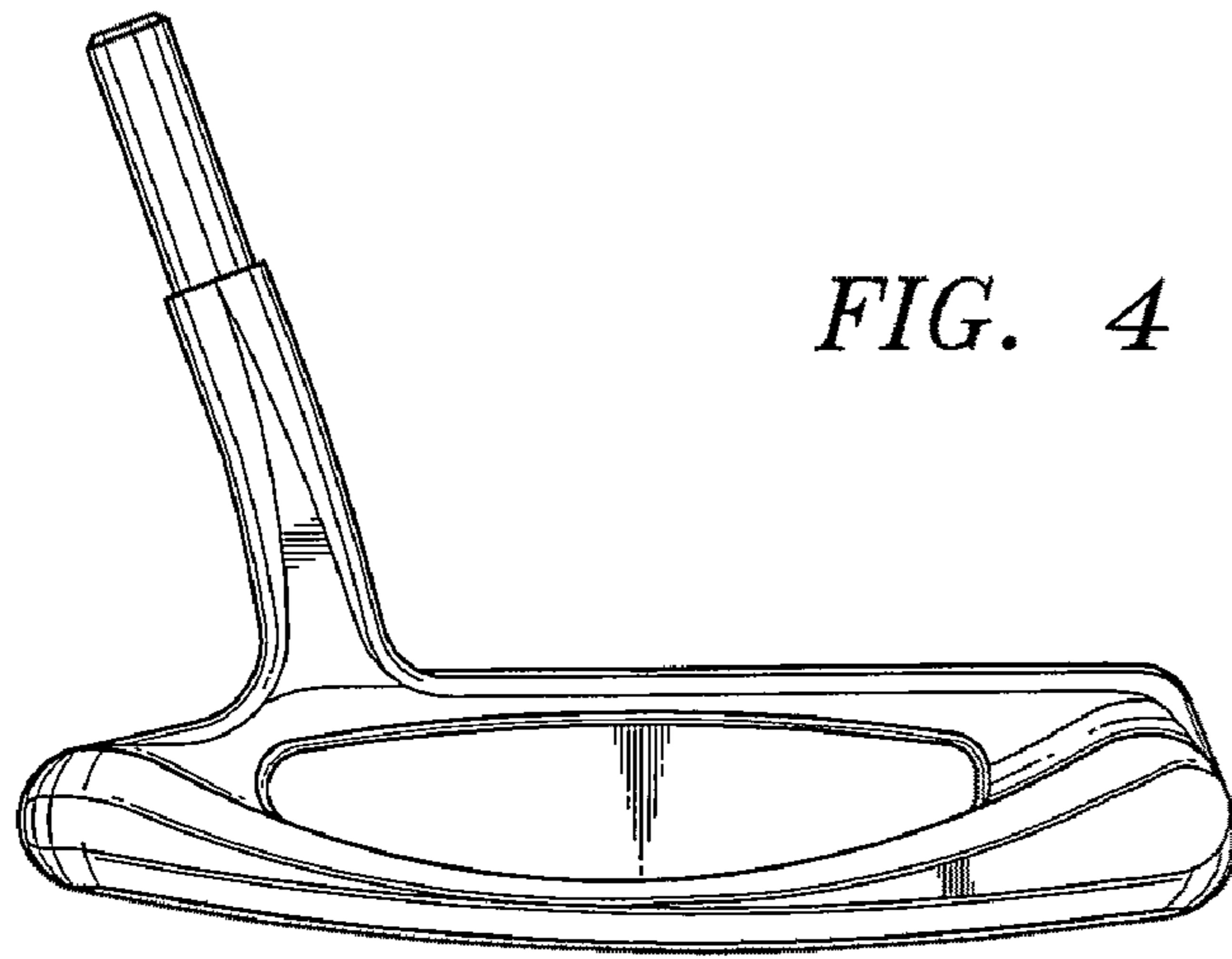


FIG. 4

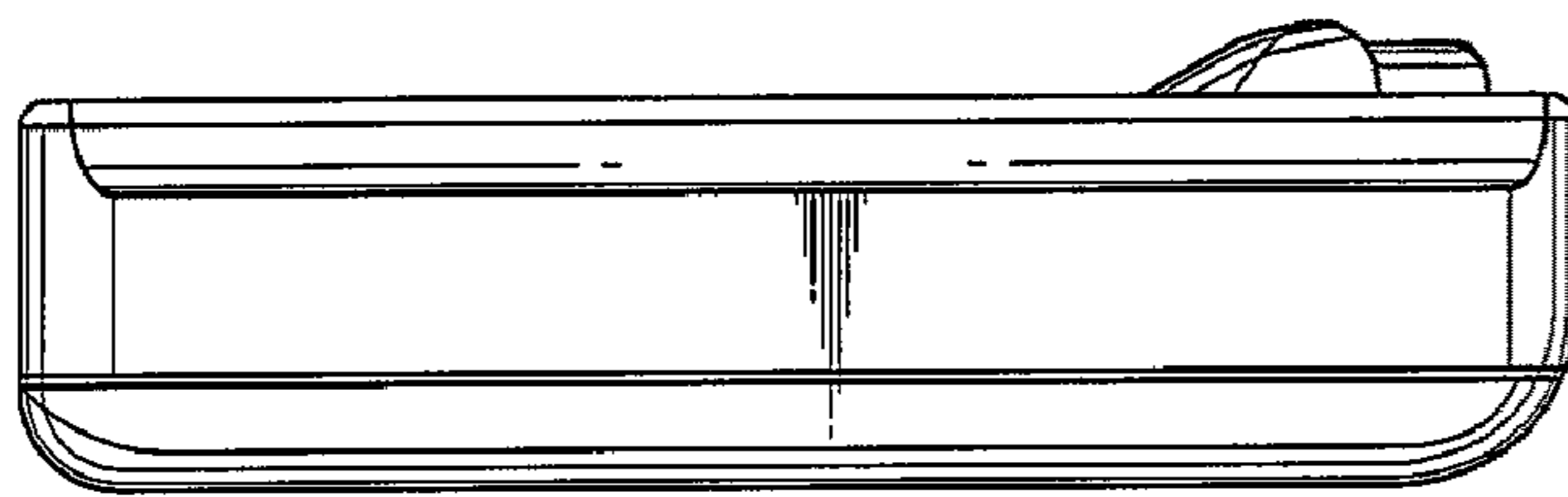


FIG. 5

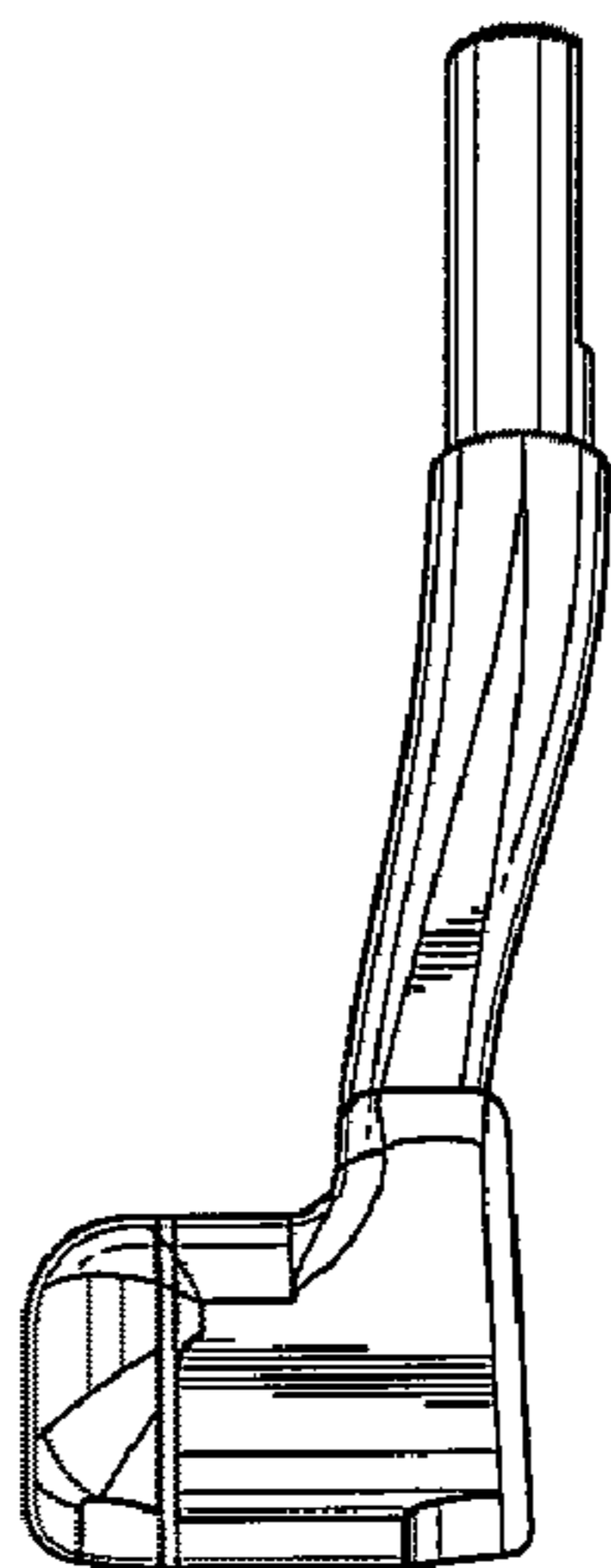


FIG. 6

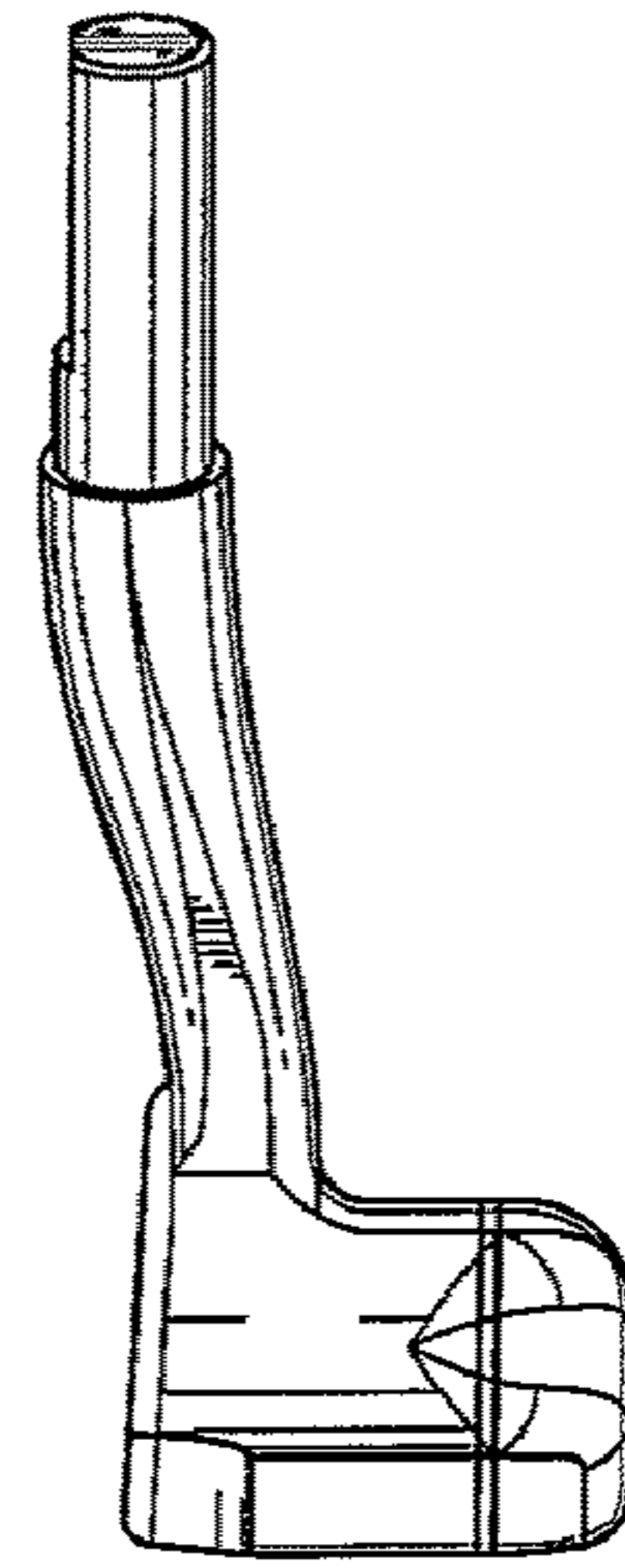


FIG. 7