



US00D596680S

(12) **United States Design Patent**  
**Keiser**

(10) **Patent No.:** **US D596,680 S**

(45) **Date of Patent:** **\*\* Jul. 21, 2009**

(54) **EXERCISE BIKE**

(75) Inventor: **Dennis L. Keiser**, Sanger, CA (US)

(73) Assignee: **Keiser Corporation**, Fresno, CA (US)

(\*\*) Term: **14 Years**

(21) Appl. No.: **29/306,602**

(22) Filed: **Apr. 11, 2008**

**Related U.S. Application Data**

(62) Division of application No. 29/280,842, filed on Jun. 8, 2007.

(51) **LOC (9) Cl.** ..... **21-02**

(52) **U.S. Cl.** ..... **D21/694**

(58) **Field of Classification Search** ..... D21/663,  
D21/664, 665, 666, 667, 668, 694, 697; 482/51,  
482/52, 57, 58, 59, 60, 65, 64  
See application file for complete search history.

(56) **References Cited**

**U.S. PATENT DOCUMENTS**

D281,711 S *	12/1985	Hiivola	.....	D21/667
D291,462 S *	8/1987	Aalto	.....	D21/667
D299,732 S *	2/1989	Gustafsson	.....	D21/667
D372,284 S *	7/1996	Wang et al.	.....	D21/667
D380,796 S *	7/1997	Wang et al.	.....	D21/667
D382,925 S *	8/1997	Wu	.....	D21/667
D430,240 S *	8/2000	Chang	.....	D21/667

D460,794 S *	7/2002	Baker	.....	D21/667
D473,602 S *	4/2003	Baudhuin et al.	.....	D21/697
6,612,970 B2 *	9/2003	Forcillo	.....	482/57
6,669,603 B1 *	12/2003	Forcillo	.....	482/57
7,175,570 B2 *	2/2007	Lull et al.	.....	482/57

\* cited by examiner

*Primary Examiner*—Philip S Hyder

(74) *Attorney, Agent, or Firm*—Knobbe Martens Olson & Bear LLP

(57) **CLAIM**

The ornamental designs for an exercise bike, as shown and described herein.

**DESCRIPTION**

FIG. 1 is a perspective view of an exercise bike configured in accordance with a preferred embodiment of the present invention;

FIG. 2 is a right side elevational view thereof;

FIG. 3 is a left side elevational view thereof;

FIG. 4 is a front elevational view thereof;

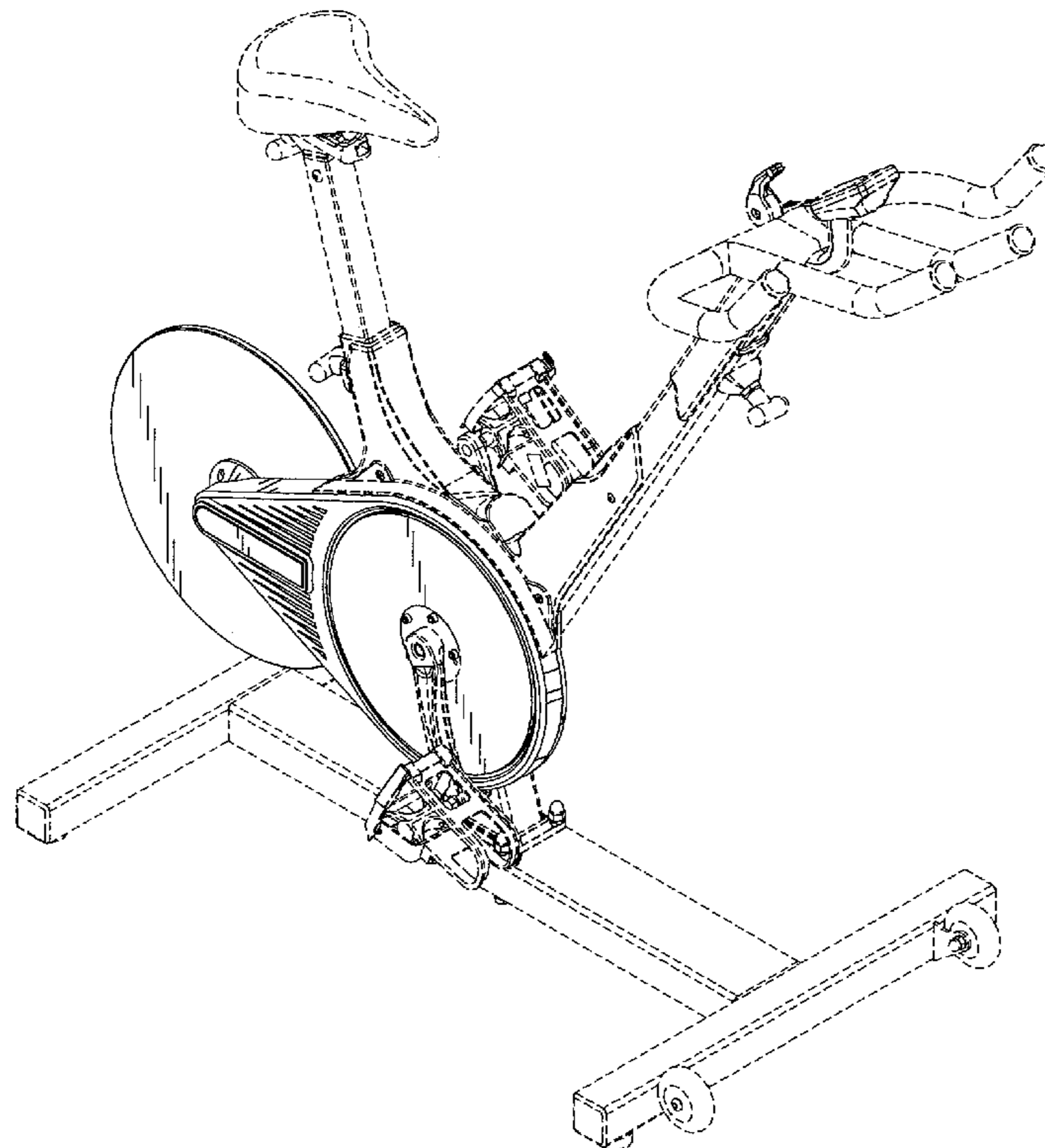
FIG. 5 is a rear view thereof;

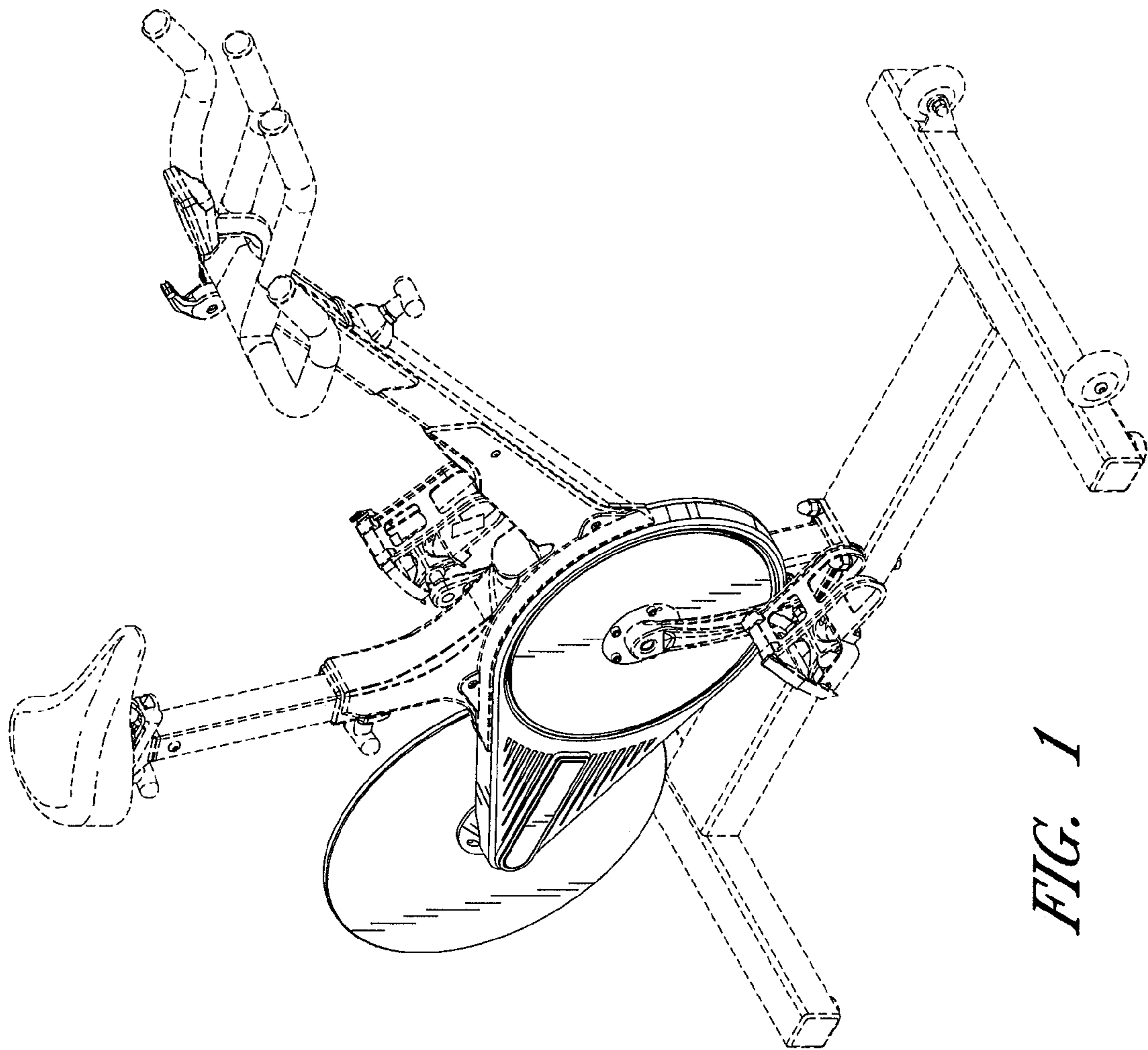
FIG. 6 is a top elevational view thereof; and,

FIG. 7 is a bottom elevational view thereof.

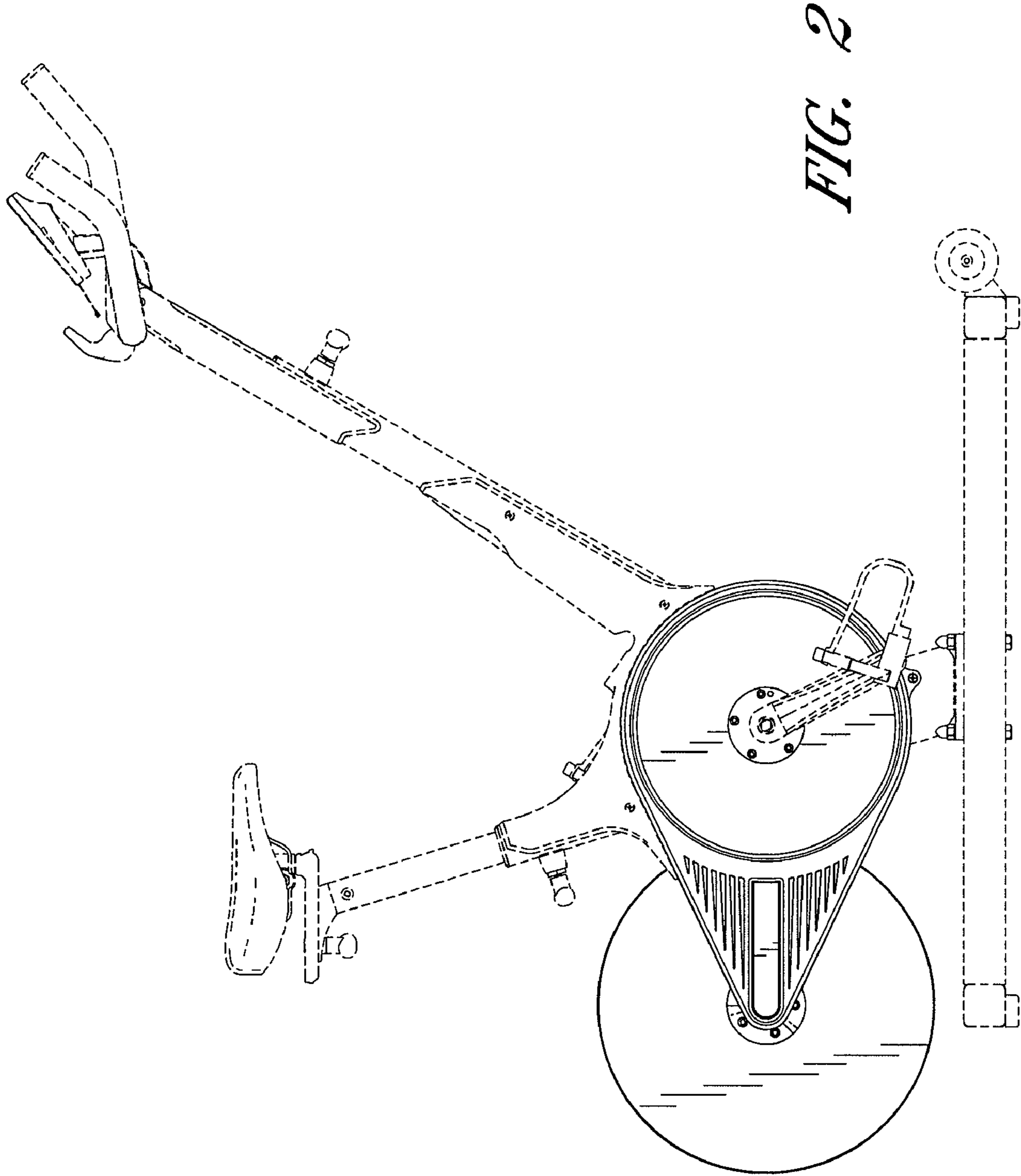
The broken line portions of the exercise bike are for illustrative purposes only and are not intended to limit the claimed design to the features shown in broken lines.

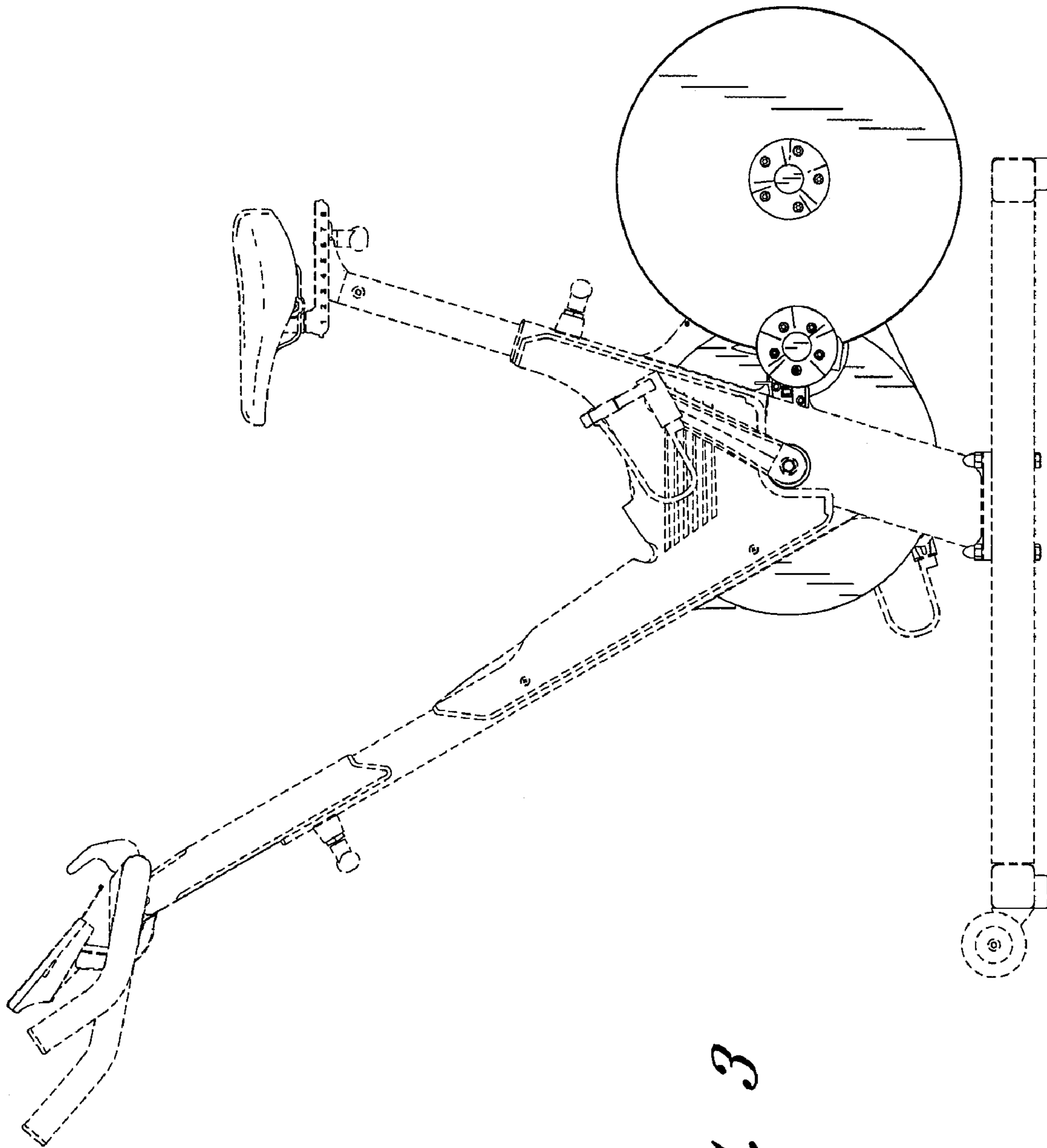
**1 Claim, 7 Drawing Sheets**



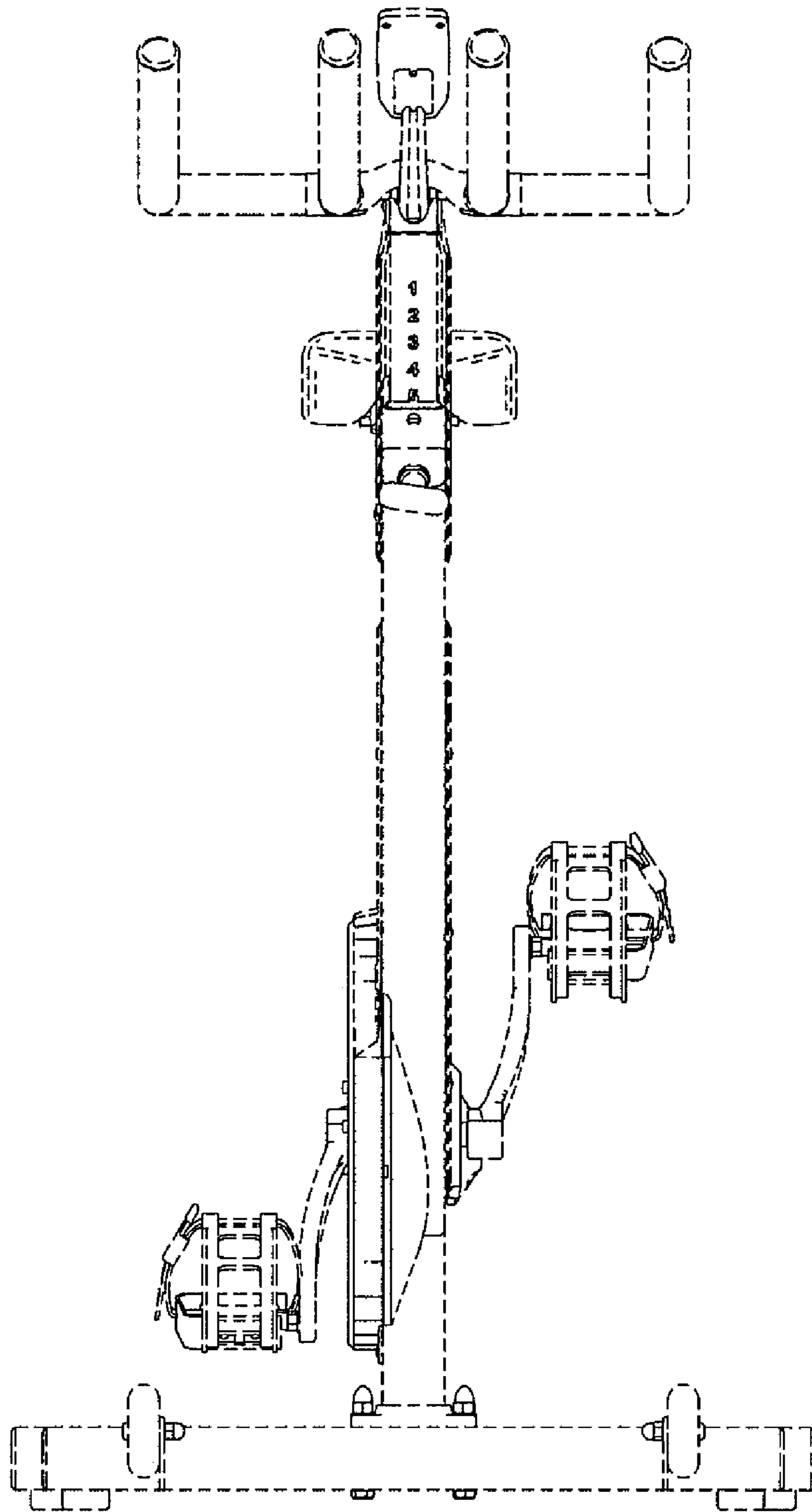


*FIG. 1*

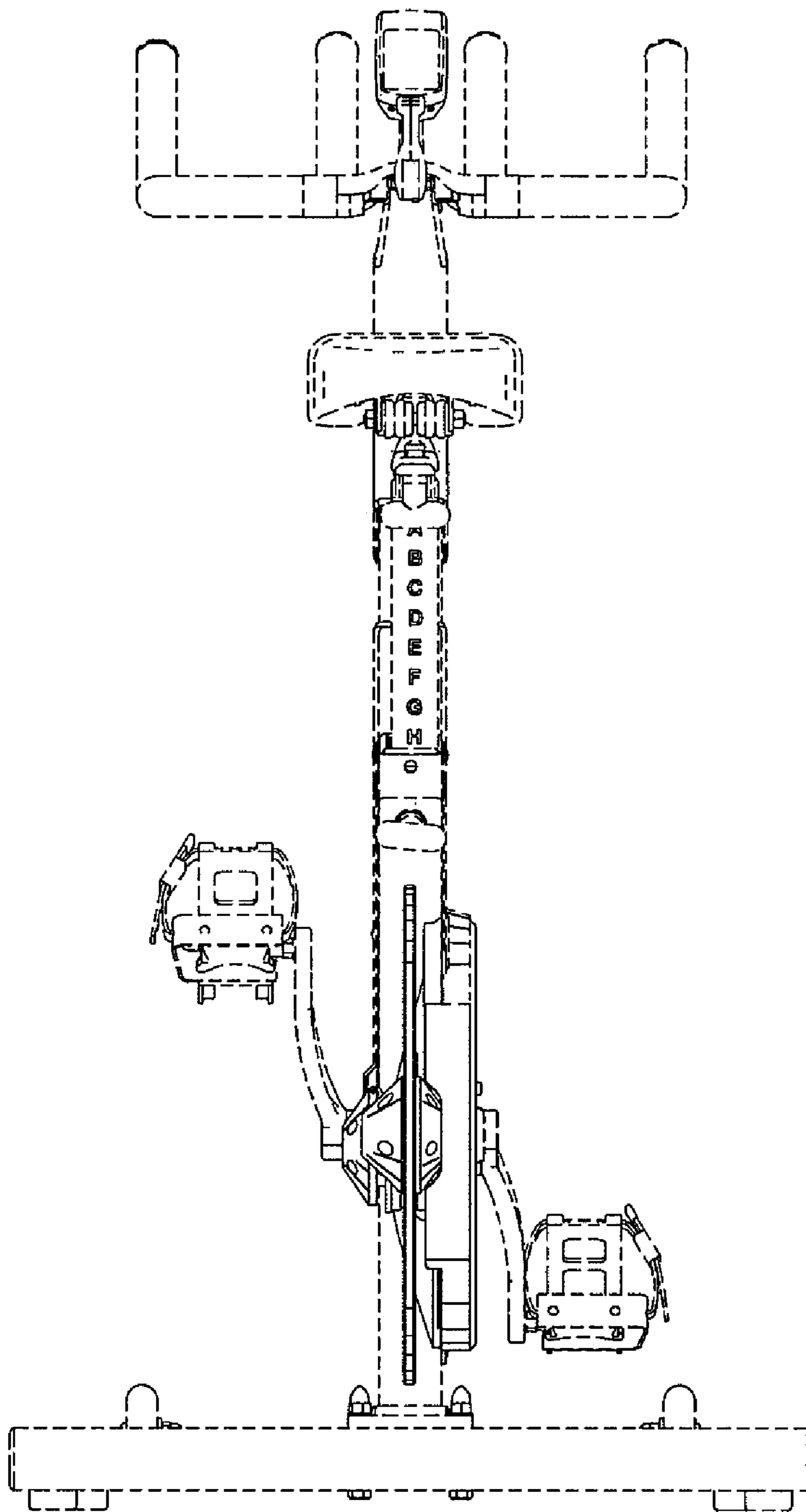




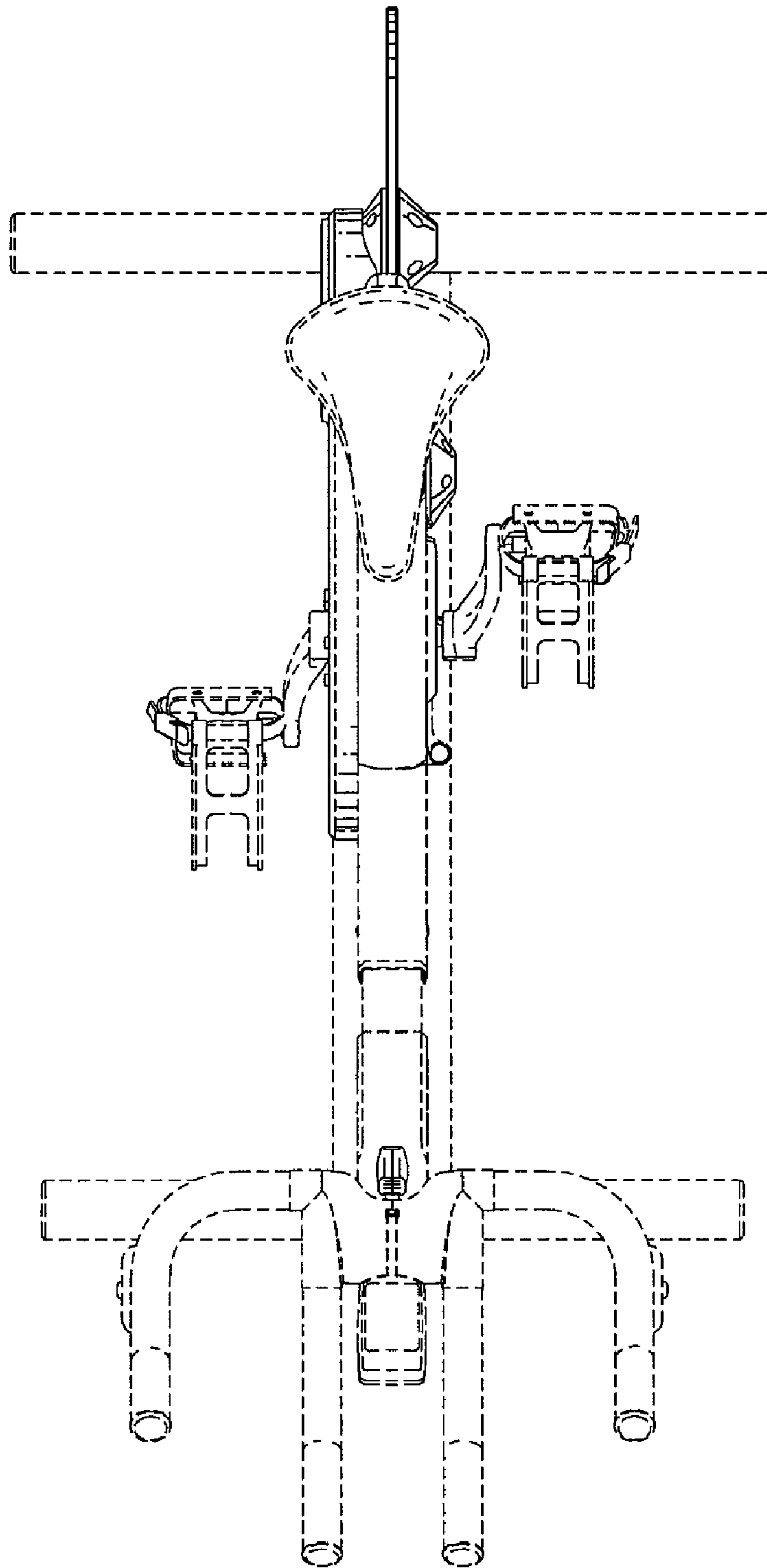
*FIG. 3*



*FIG. 4*



*FIG. 5*



*FIG. 6*

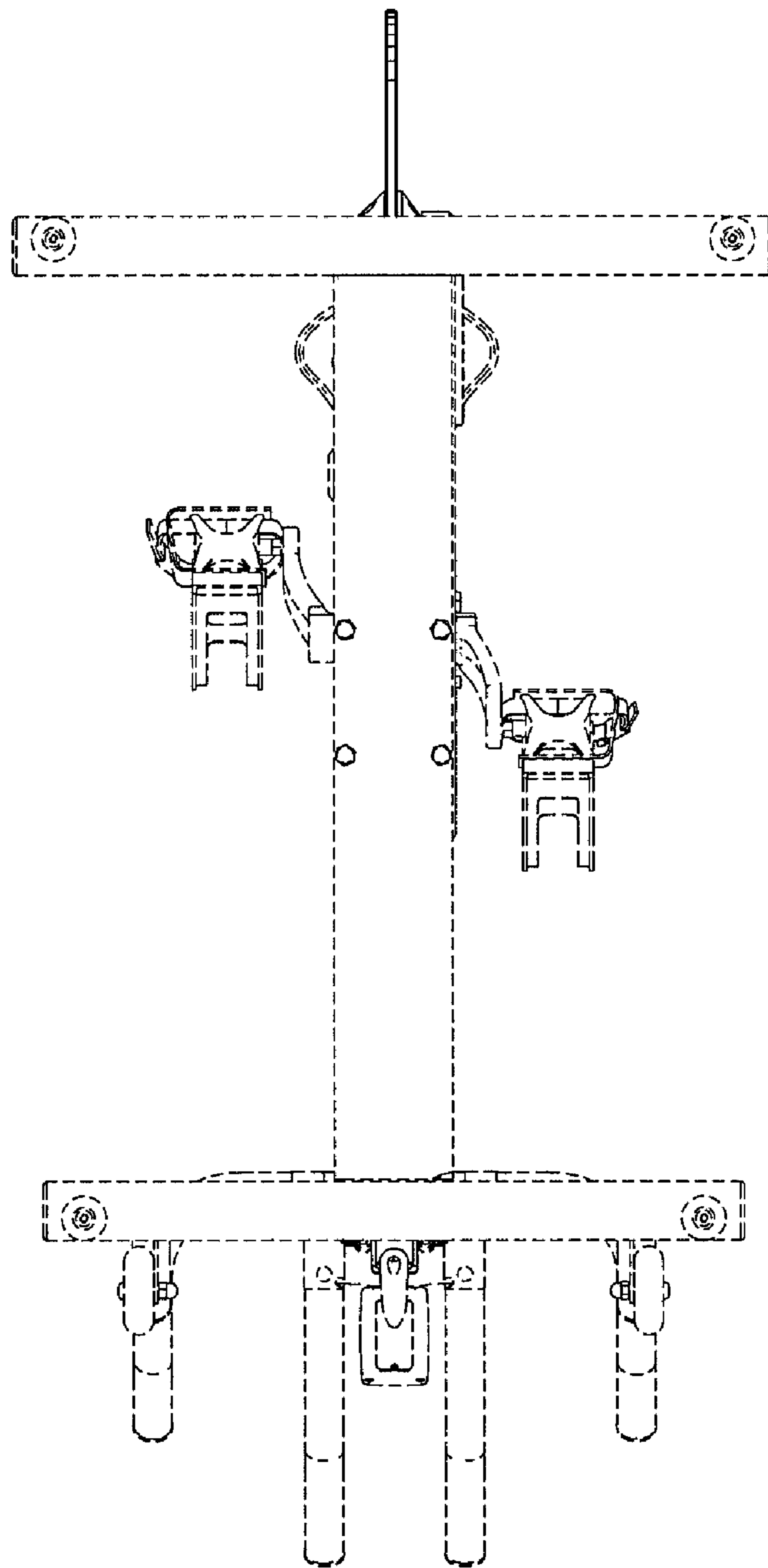


FIG. 7