



US00D596676S

(12) **United States Design Patent**
Oikawa et al.

(10) **Patent No.:** **US D596,676 S**
(45) **Date of Patent:** **** Jul. 21, 2009**

(54) **MEDAL GAME DEVICE**

(75) Inventors: **Takao Oikawa**, Tokyo (JP); **Daisuke Henmi**, Tokyo (JP)

(73) Assignee: **Kabushiki Kaisha Sega**, Tokyo (JP)

(**) Term: **14 Years**

(21) Appl. No.: **29/309,370**

(22) Filed: **Aug. 5, 2008**

(30) **Foreign Application Priority Data**

Feb. 6, 2008 (JP) 2008-002553

(51) **LOC (9) Cl.** **21-01**

(52) **U.S. Cl.** **D21/325**

(58) **Field of Classification Search** D21/325,
D21/329, 369, 811; D20/1-9; 273/148 B,
273/447, 448, 460, 461; 463/47, 7, 25; 221/75,
221/133, 155, 212, 282-286, 312 A, 312 C
See application file for complete search history.

(56) **References Cited**

U.S. PATENT DOCUMENTS

4,306,717 A * 12/1981 Todokoro 273/447
D378,930 S * 4/1997 Nobata et al. D21/369
D396,867 S * 8/1998 Metzger et al. D15/141
D433,796 S * 11/2000 Zack D3/303
D434,085 S * 11/2000 Singer D21/325
6,634,940 B2 * 10/2003 Yoshida et al. 463/7
D520,068 S * 5/2006 Hirato et al. D21/327

D521,074 S * 5/2006 Hirato et al. D21/327
2003/0151202 A1 * 8/2003 Fisher et al. 273/447
2004/0100027 A1 * 5/2004 Francise 273/447
2008/0088092 A1 * 4/2008 Todokoro 273/447
2009/0042653 A1 * 2/2009 Hamada 463/42

* cited by examiner

Primary Examiner—Prabhakar Deshmukh

(74) *Attorney, Agent, or Firm*—Dickstein Shapiro LLP

(57) **CLAIM**

The ornamental design for a medal game device, as shown and described.

DESCRIPTION

FIG. 1 is a front, top and right side perspective view of my new design for a medal game device;

FIG. 2 is a front elevational view of the medal game device of FIG. 1;

FIG. 3 is a rear elevational view of the medal game device of FIG. 1;

FIG. 4 is a top plan view of the medal game device of FIG. 1;

FIG. 5 is a bottom plan view of the medal game device of FIG. 1;

FIG. 6 is a right side elevational view of the medal game device of FIG. 1; and,

FIG. 7 is a left side elevational view of the medal game device of FIG. 1.

1 Claim, 7 Drawing Sheets

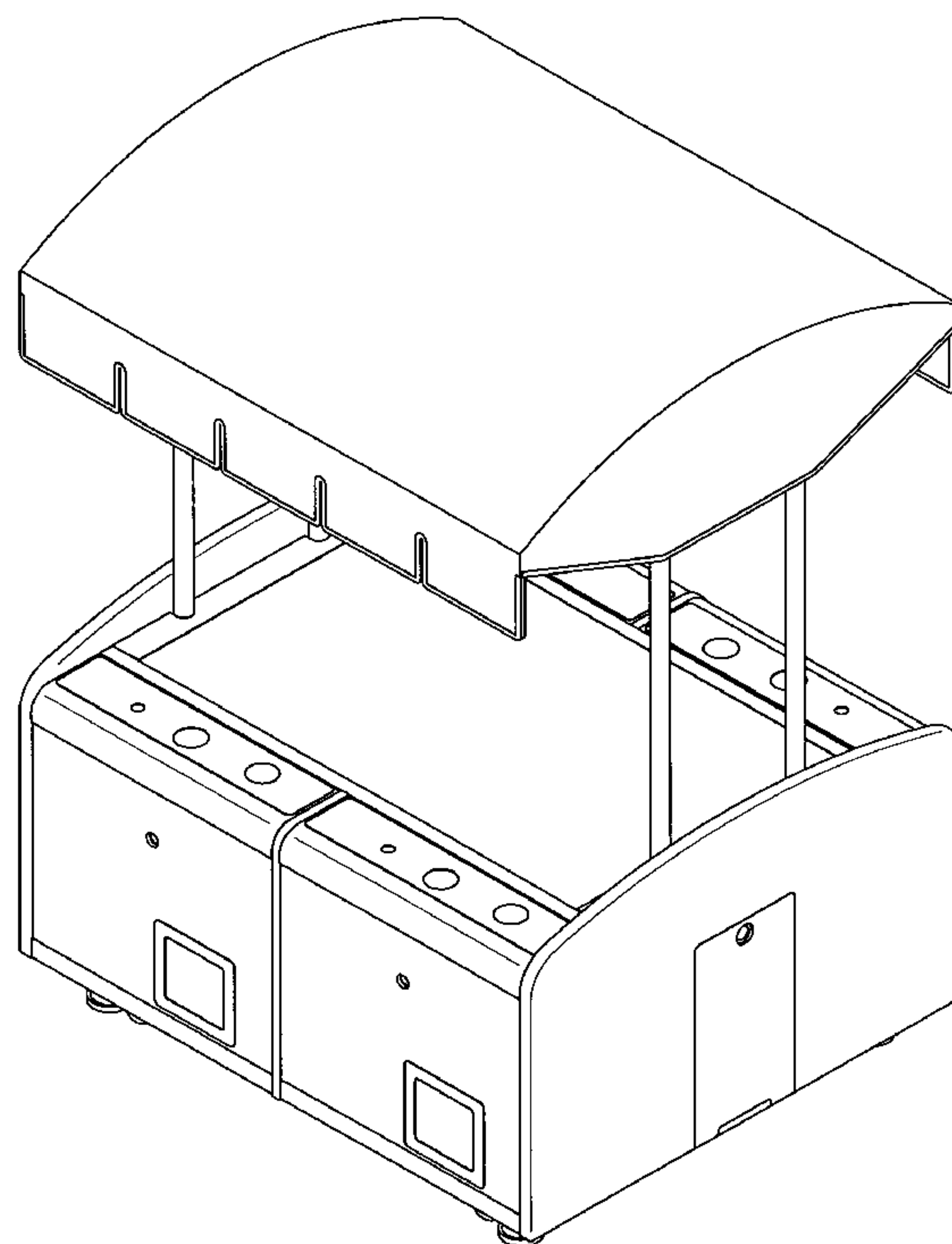


FIG.1

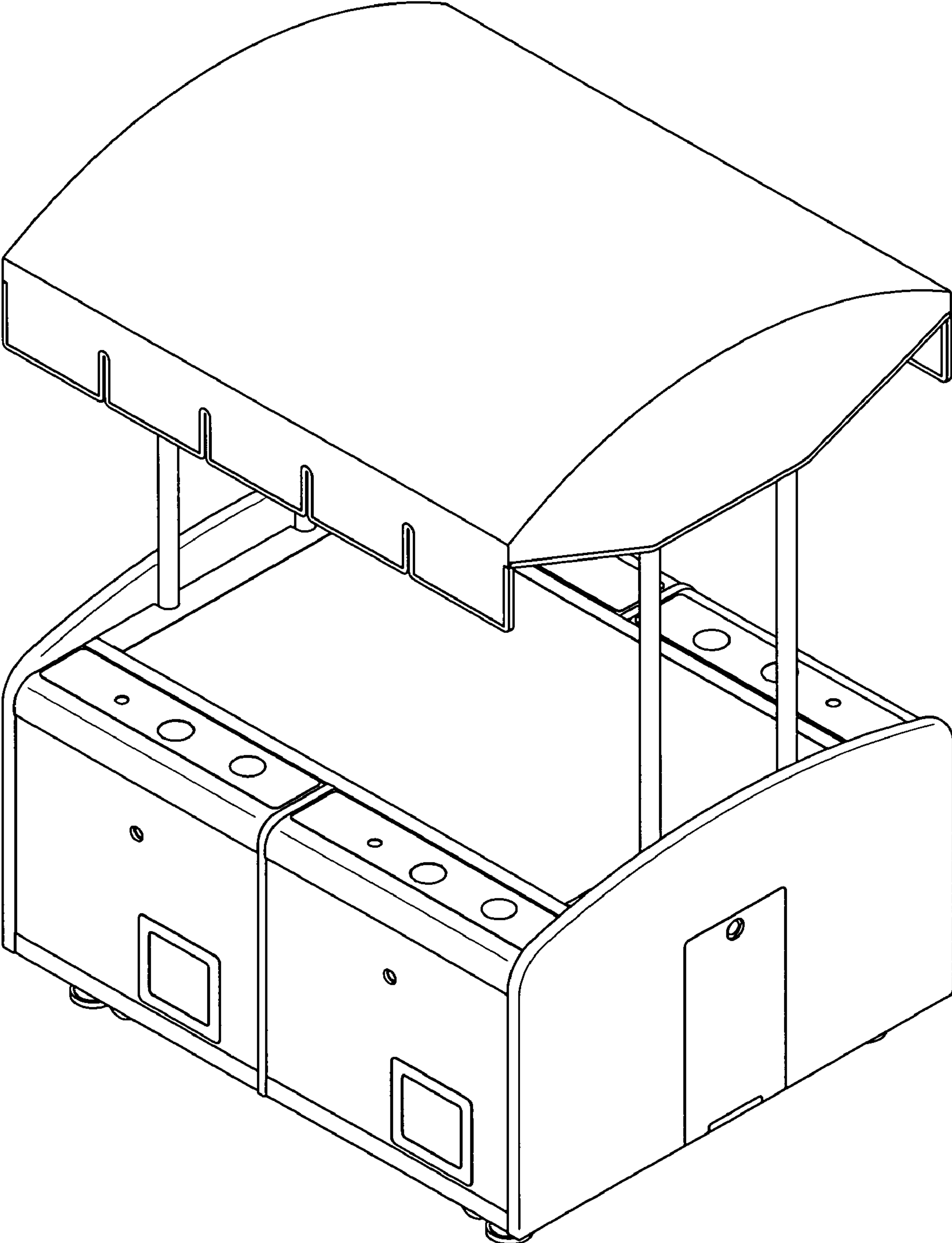


FIG.2

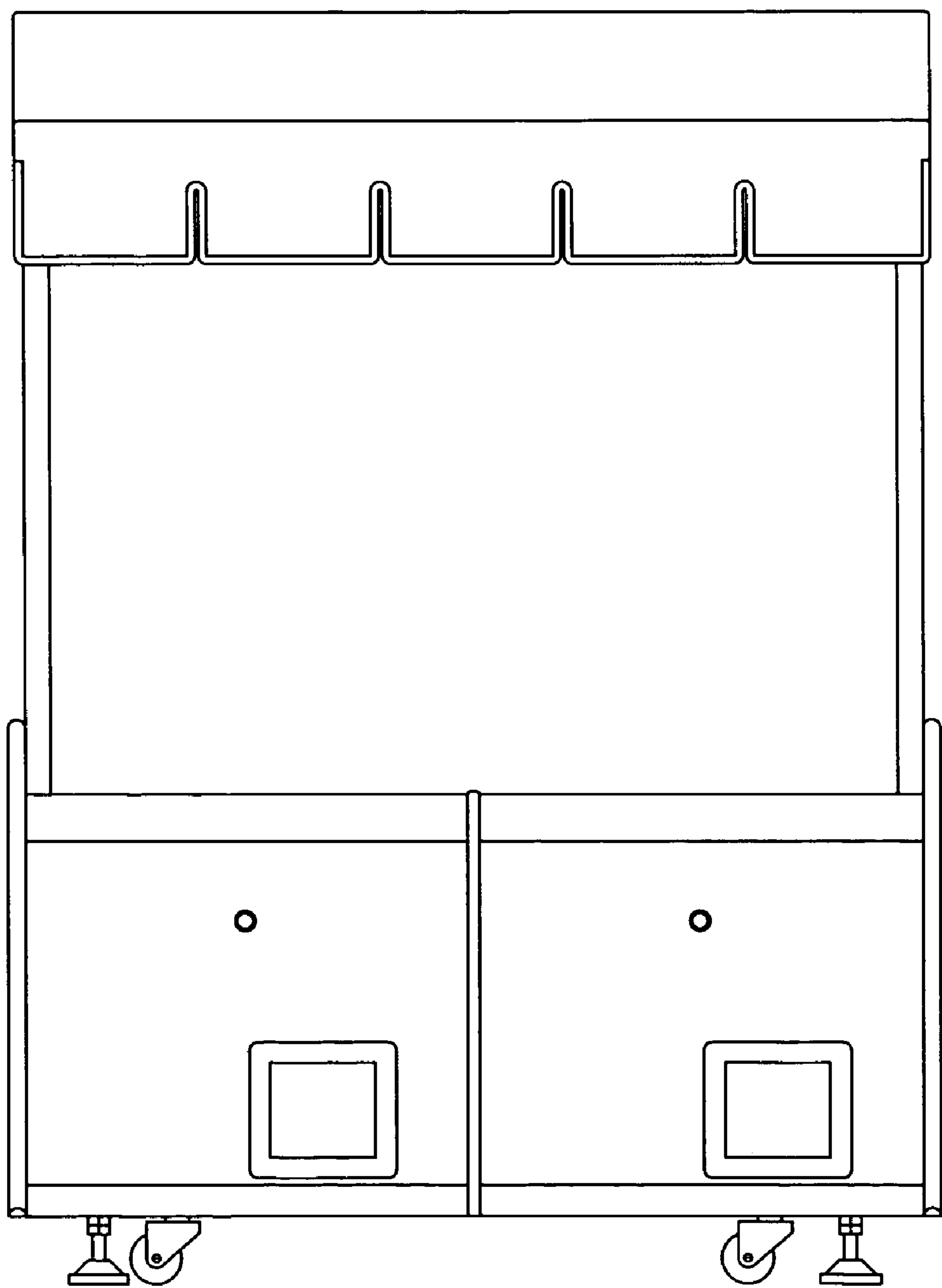


FIG.3

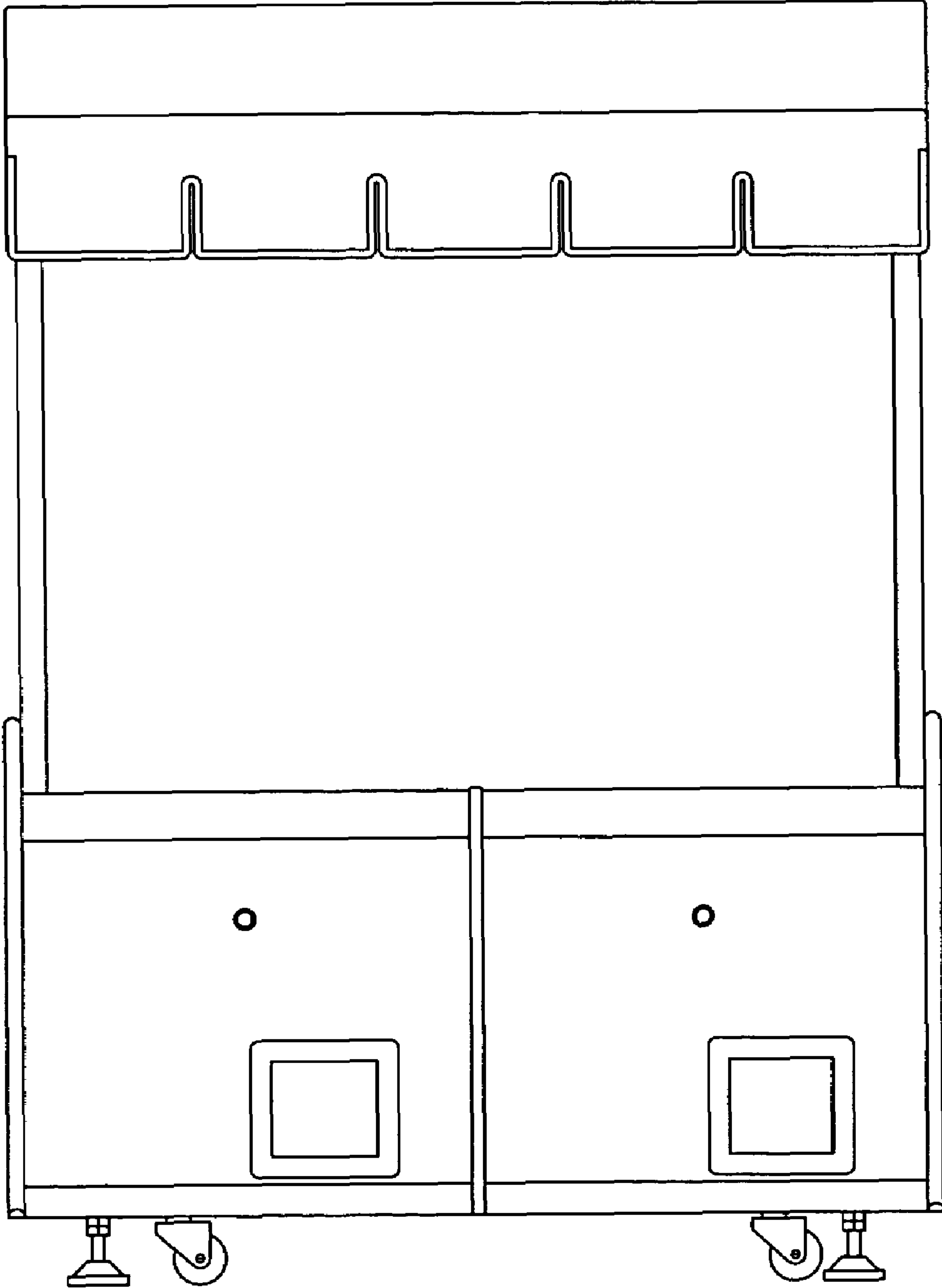


FIG.4

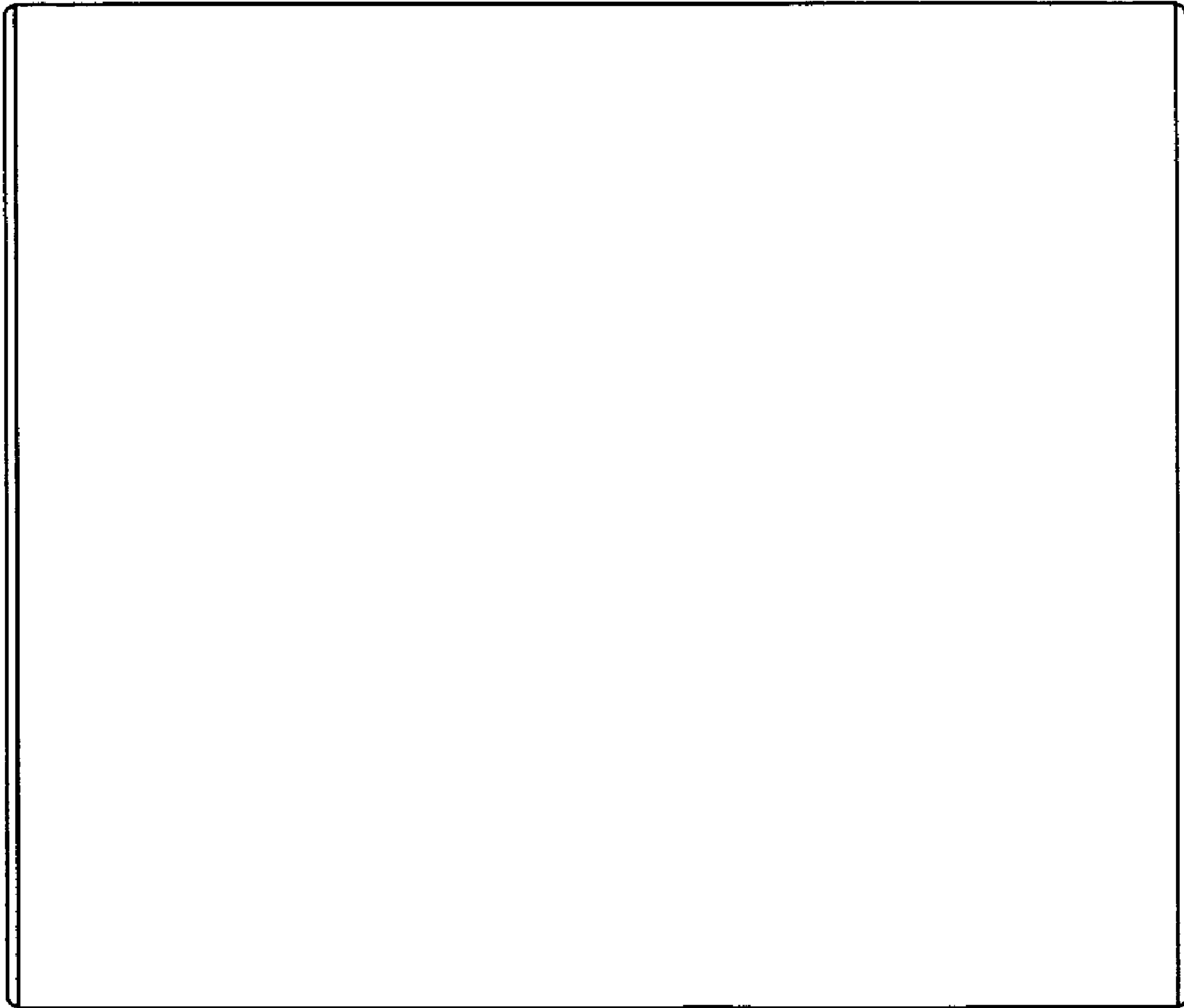


FIG.5

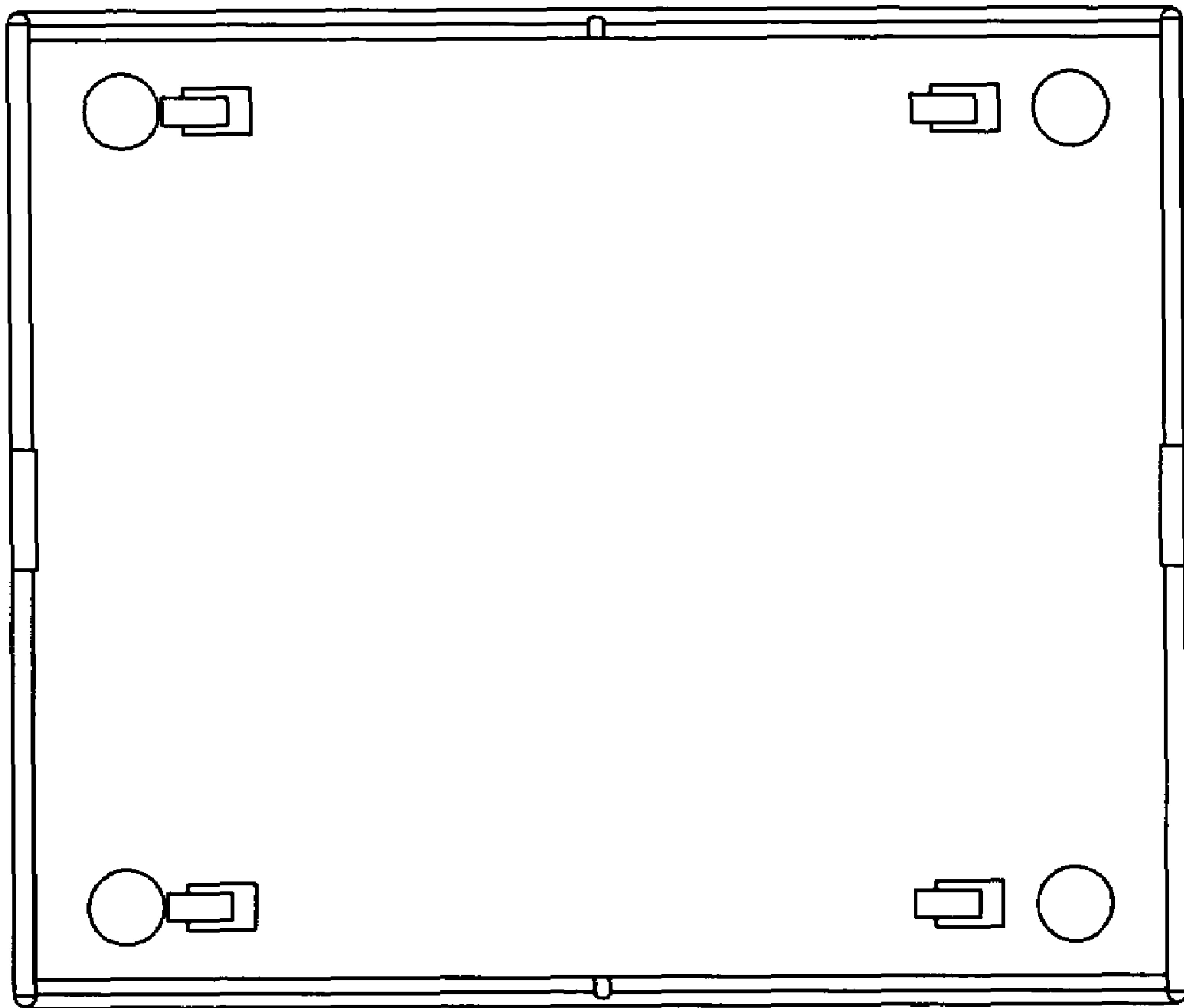


FIG.6

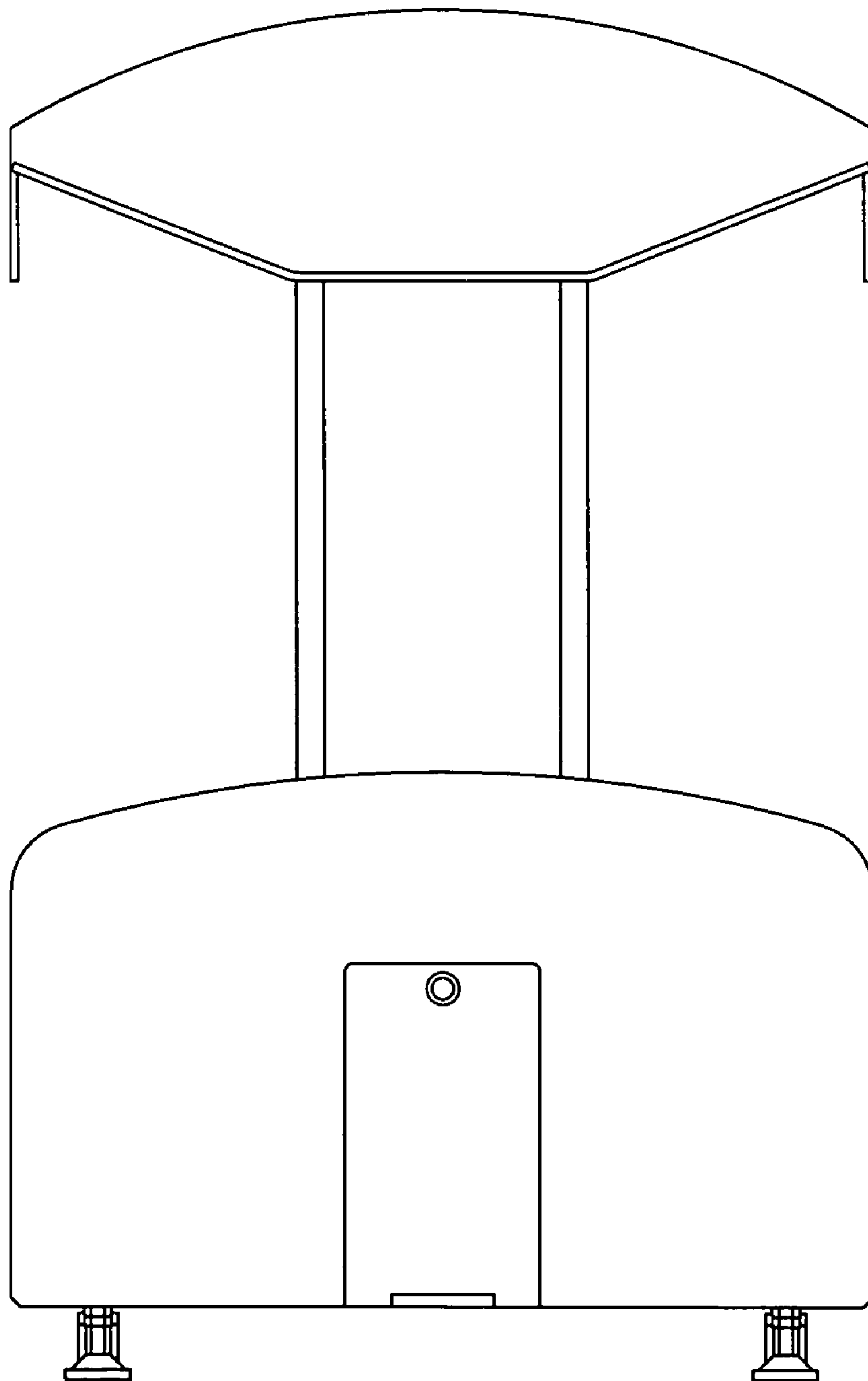


FIG.7

