

US00D596668S

(12) **United States Design Patent**
Ehara et al.

(10) **Patent No.:** **US D596,668 S**
(45) **Date of Patent:** **** Jul. 21, 2009**

(54) **STYLUS PEN FOR ELECTRONIC GAME MACHINE**

(75) Inventors: **Yui Ehara**, Kyoto (JP); **Hiroki Goto**, Kyoto (JP)

(73) Assignee: **Nintendo Co., Ltd.**, Kyoto (JP)

(**) Term: **14 Years**

(21) Appl. No.: **29/263,342**

(22) Filed: **Jul. 21, 2006**

(30) **Foreign Application Priority Data**

Jan. 26, 2006 (JP) 2006-001638

(51) **LOC (9) Cl.** **19-06**

(52) **U.S. Cl.** **D19/55; D14/411**

(58) **Field of Classification Search** D14/402-411, D14/431, 417; D19/36-37, 41-51, 54-57; 401/99-100, 104-109, 192, 195, 52; 345/179; 24/11 R, 11 HC, 11 F, 11 P

See application file for complete search history.

(56) **References Cited**

U.S. PATENT DOCUMENTS

- D242,632 S * 12/1976 McPherson D14/431
- D320,787 S 10/1991 Valls
- D322,064 S 12/1991 Chowdhree et al.
- D322,250 S 12/1991 Valls
- D327,476 S 6/1992 Valls et al.
- D331,750 S 12/1992 Yang
- D333,133 S 2/1993 Hirota
- D344,500 S * 2/1994 Bruce et al. D14/431
- D356,306 S 3/1995 Ady et al.
- D362,649 S 9/1995 Rak et al.
- D368,079 S 3/1996 Ive et al.
- D390,208 S 2/1998 Tominaga et al.
- D395,875 S 7/1998 Aiken et al.
- D412,320 S 7/1999 Mueller et al.

- D416,043 S 11/1999 Arthur et al.
- D417,206 S 11/1999 Hirota
- D428,400 S * 7/2000 F.ang.hraeus et al. D14/431
- D430,206 S 8/2000 Holtzman et al.
- D446,212 S 8/2001 Chang et al.
- D446,213 S 8/2001 Chen et al.
- D465,805 S 11/2002 Hu
- D465,806 S 11/2002 Hu
- D470,143 S * 2/2003 Uehara D14/403
- 6,599,045 B1 * 7/2003 Kolb 401/52
- D493,793 S 8/2004 Voskuil et al.
- D497,387 S 10/2004 Cetera
- D501,505 S 2/2005 Chien
- D509,850 S 9/2005 Bhavnani
- D530,372 S 10/2006 Sugino et al.

FOREIGN PATENT DOCUMENTS

JP D1274083 9/2005

* cited by examiner

Primary Examiner—Pamela J Burgess

(74) *Attorney, Agent, or Firm*—Nixon & Vanderhye, P.C.

(57) **CLAIM**

The ornamental design for a stylus pen for electronic game machine, as shown and described.

DESCRIPTION

FIG. 1 is a front, top and right perspective view of a stylus pen for electronic game machine showing our new design;

FIG. 2 is a rear, bottom and left perspective view thereof;

FIG. 3 is a front view thereof;

FIG. 4 is a rear view thereof;

FIG. 5 is a right side view thereof, a left side view being a mirror image thereof;

FIG. 6 is a top plan view thereof; and,

FIG. 7 is a bottom plan view thereof.

1 Claim, 2 Drawing Sheets

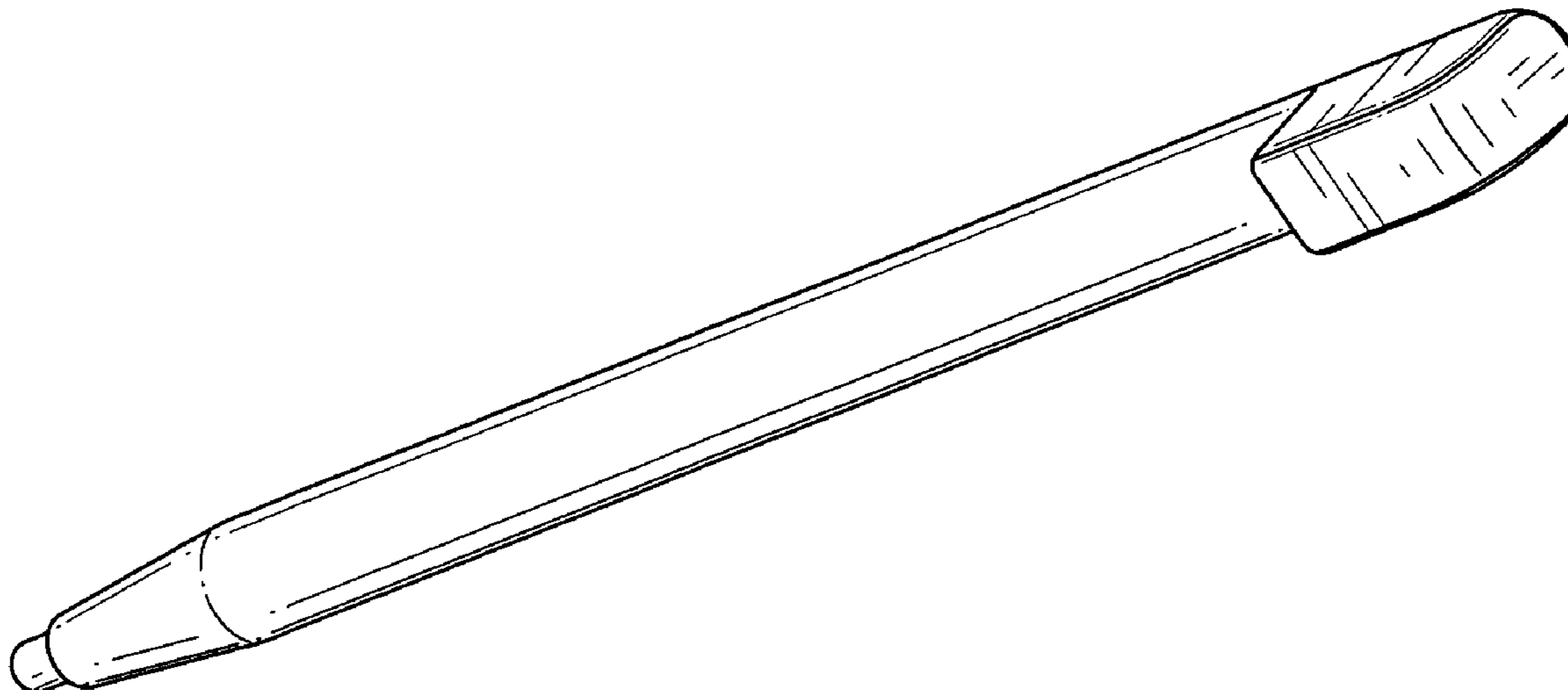


FIG. 1

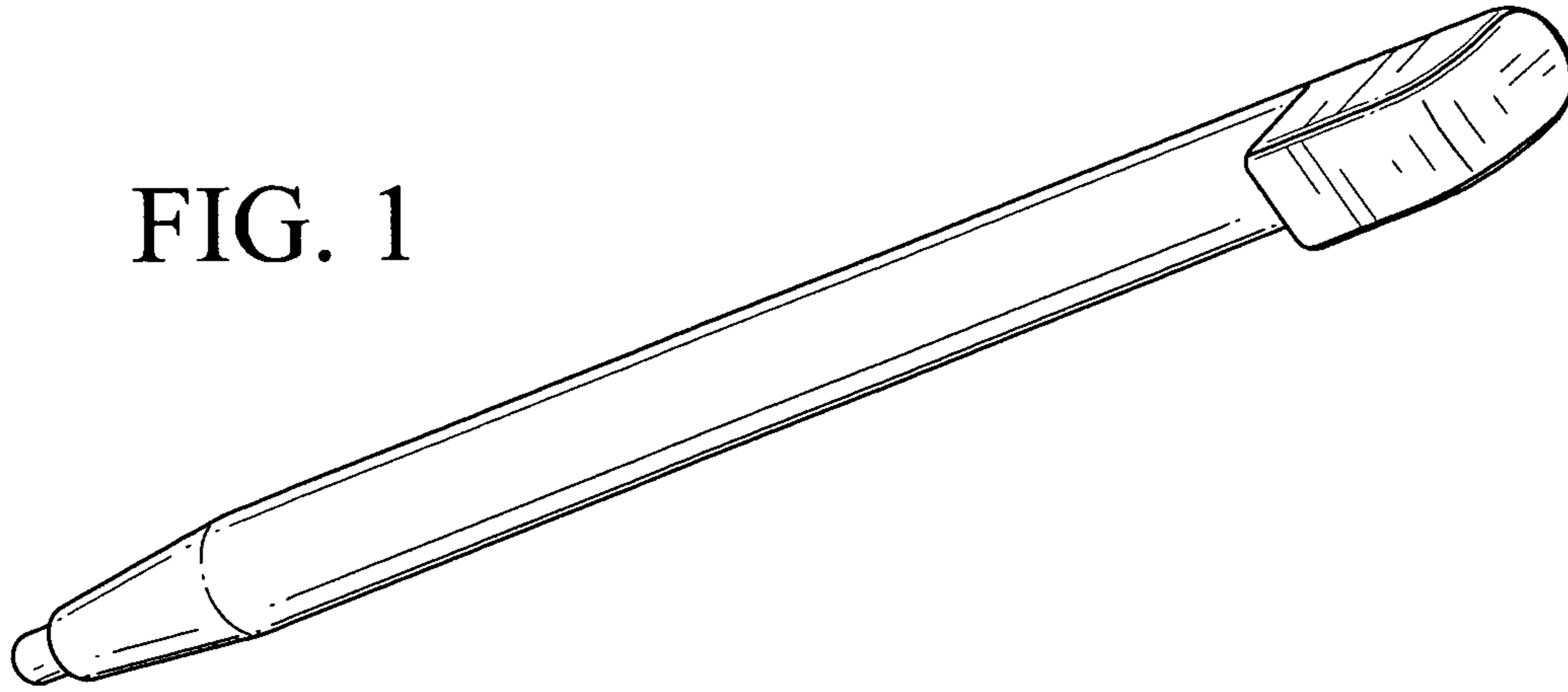


FIG. 2

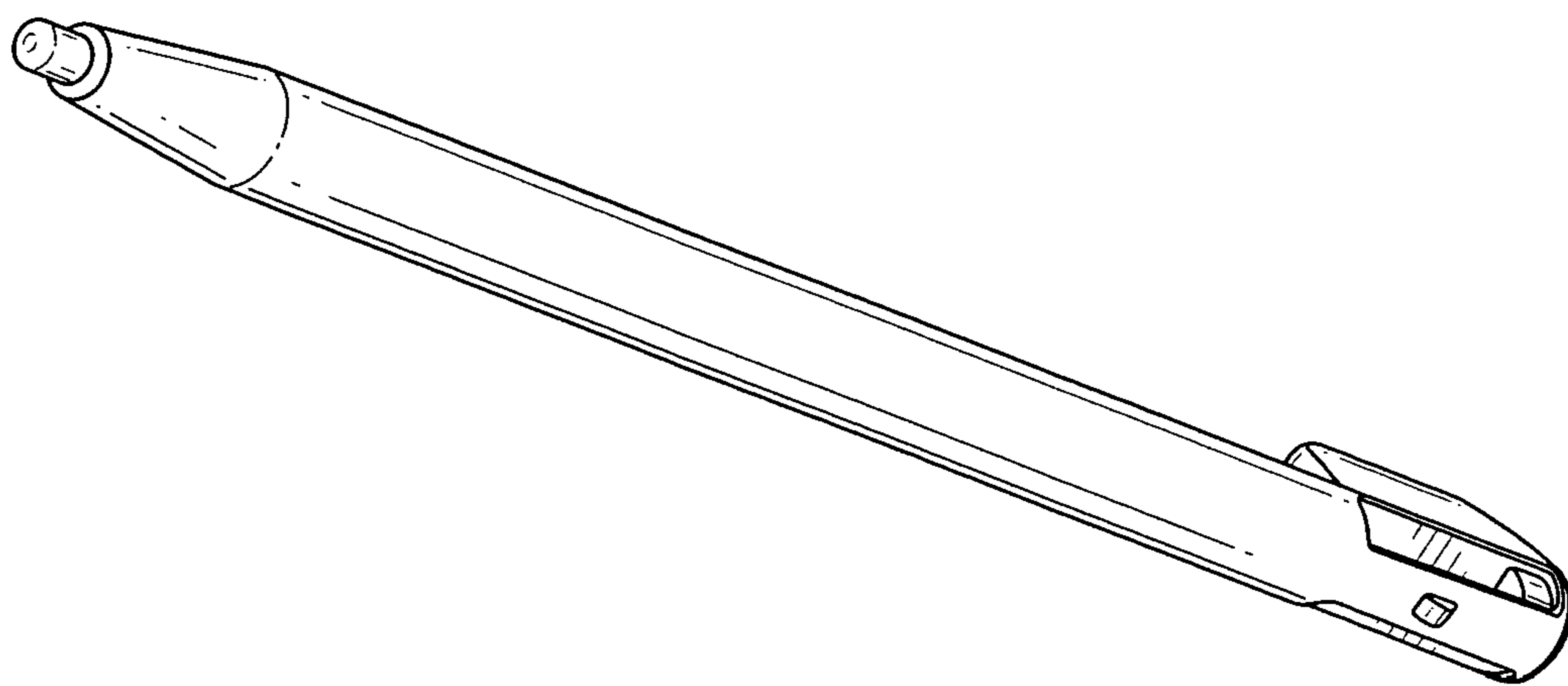


FIG. 3



FIG. 4



FIG. 5



FIG. 6



FIG. 7