

US00D596664S

(12) **United States Design Patent**  
**Chua et al.**

(10) **Patent No.:** **US D596,664 S**  
(45) **Date of Patent:** **\*\* Jul. 21, 2009**

(54) **CARTRIDGE GUIDE CHUTE**

(75) Inventors: **Kian-Kiat-Alan Chua**, Singapore (SG);  
**Prabhakar R. Doppalapudi**, Poway,  
CA (US); **Marcus L. Scholz**, Escondido,  
CA (US); **Christopher L. Whittall**, San  
Diego, CA (US); **Jia Yi Juang**,  
Shenkeng Township, Taipei County  
(TW)

(73) Assignee: **Hewlett-Packard Development  
Company, L.P.**, Houston, TX (US)

(\*\*) Term: **14 Years**

(21) Appl. No.: **29/267,731**

(22) Filed: **Oct. 19, 2006**

(51) **LOC (9) Cl.** ..... **18-02**

(52) **U.S. Cl.** ..... **D18/56**

(58) **Field of Classification Search** ..... D22/108;  
D18/56, 12, 40, 43, 50, 54.1, 8, 18; 399/25,  
399/111; 347/49-50, 86-87, 214, 91  
See application file for complete search history.

(56) **References Cited**

**U.S. PATENT DOCUMENTS**

D314,210 S *	1/1991	Kimura et al.	.....	D18/56
5,055,876 A *	10/1991	Matsuoka et al.	.....	399/111
5,220,552 A *	6/1993	Yokoi et al.	.....	720/646
6,293,649 B1 *	9/2001	Norton	.....	347/37
D451,127 S *	11/2001	Katou et al.	.....	D18/43
6,328,415 B1 *	12/2001	Norton et al.	.....	347/37
D460,980 S *	7/2002	Matsuzaki et al.	.....	D18/40

D464,369 S *	10/2002	Kunihiro et al.	.....	D18/43
D489,400 S *	5/2004	Nagashiro	.....	D18/43
D538,337 S *	3/2007	Hattori et al.	.....	D18/56
7,213,990 B2 *	5/2007	Yamamoto	.....	400/208
D548,778 S *	8/2007	Nakata et al.	.....	D18/56
D566,221 S *	4/2008	Collins	.....	D22/108
D570,948 S *	6/2008	Cerovic et al.	.....	D22/108
D585,090 S *	1/2009	Ishizawa	.....	D18/56
D585,488 S *	1/2009	Nozawa et al.	.....	D18/56
2003/0147667 A1 *	8/2003	Arimitsu et al.	.....	399/111
2008/0317499 A1 *	12/2008	Nishimura	.....	399/112

\* cited by examiner

*Primary Examiner*—Ian Simmons  
*Assistant Examiner*—Wan Laymon

(57) **CLAIM**

The ornamental design for a cartridge guide chute, substantially as shown and described.

**DESCRIPTION**

FIG. 1 is a perspective view of a cartridge guide chute showing our new design;

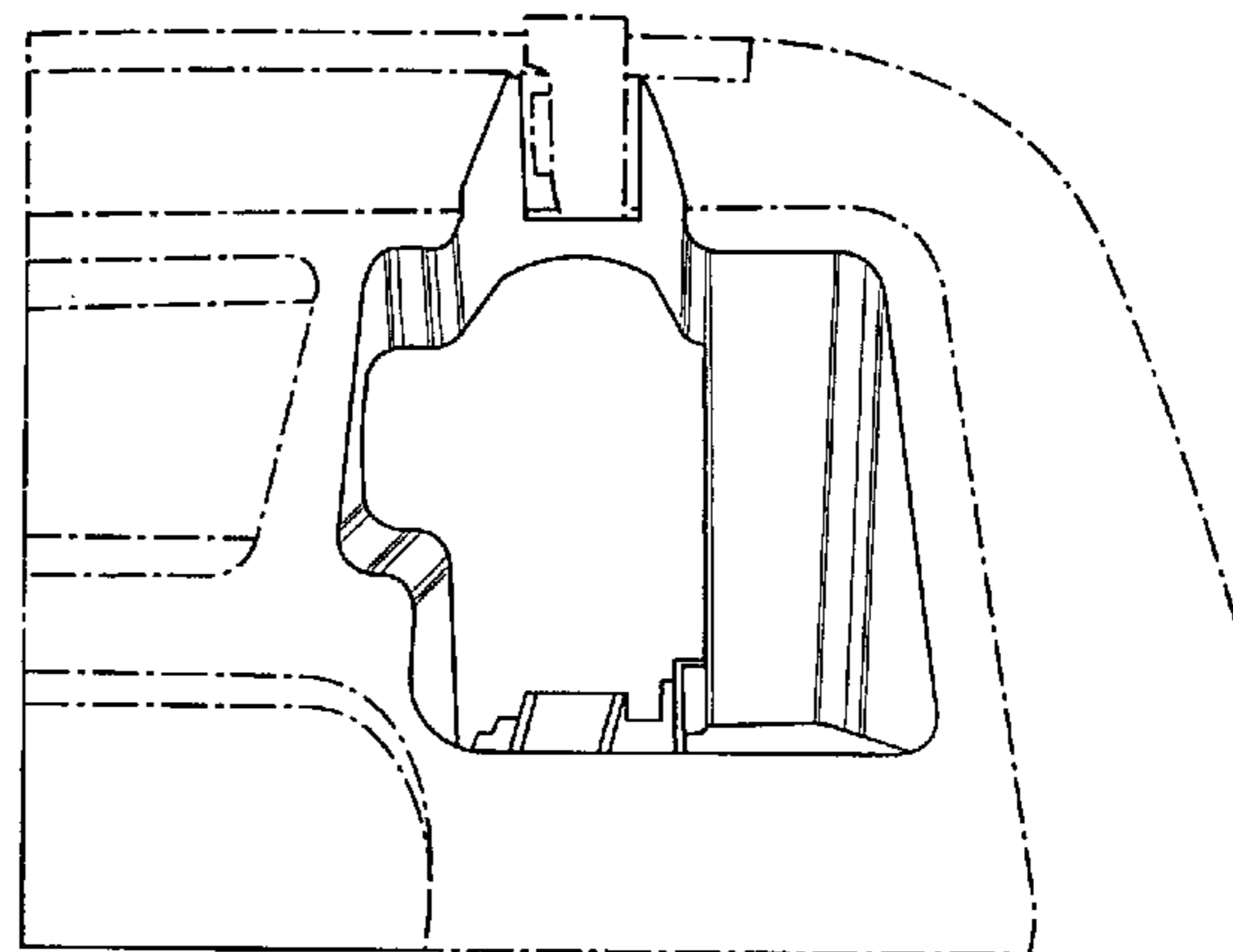
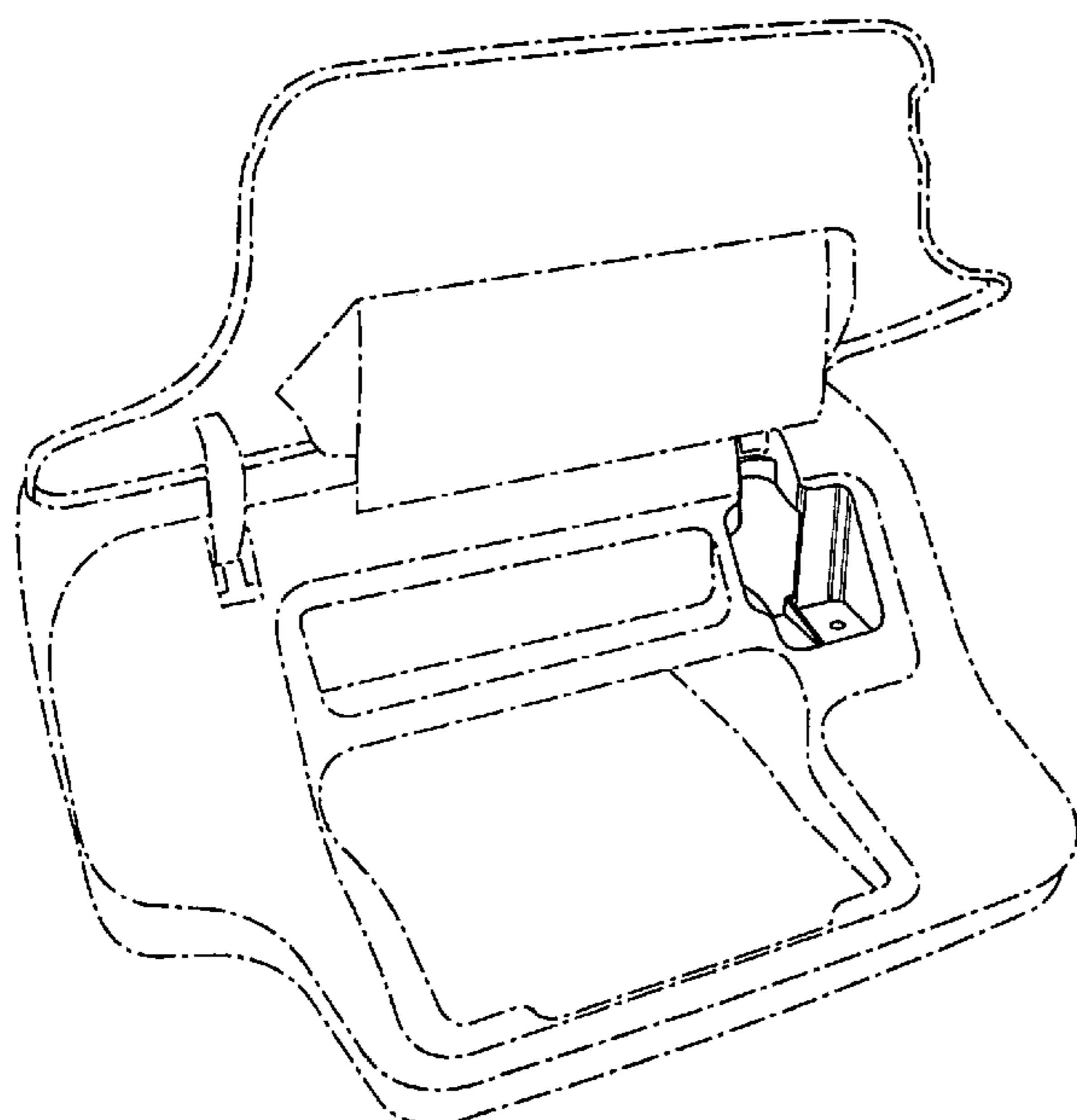
FIG. 2 is a partial left perspective view thereof shown on an enlarged scale;

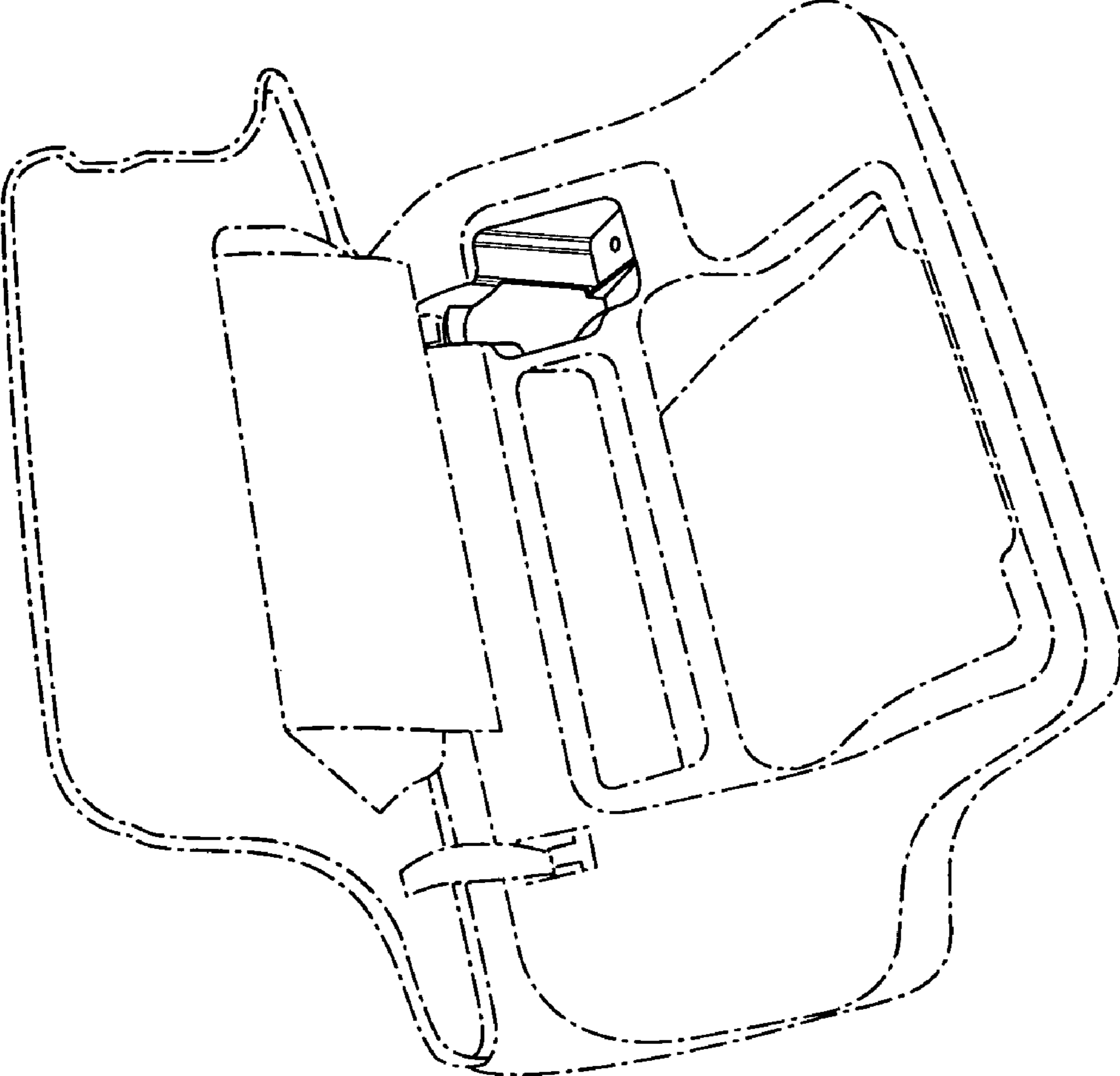
FIG. 3 is a partial right perspective view thereof shown on an enlarged scale; and,

FIG. 4 is a partial front view thereof shown on an enlarged scale.

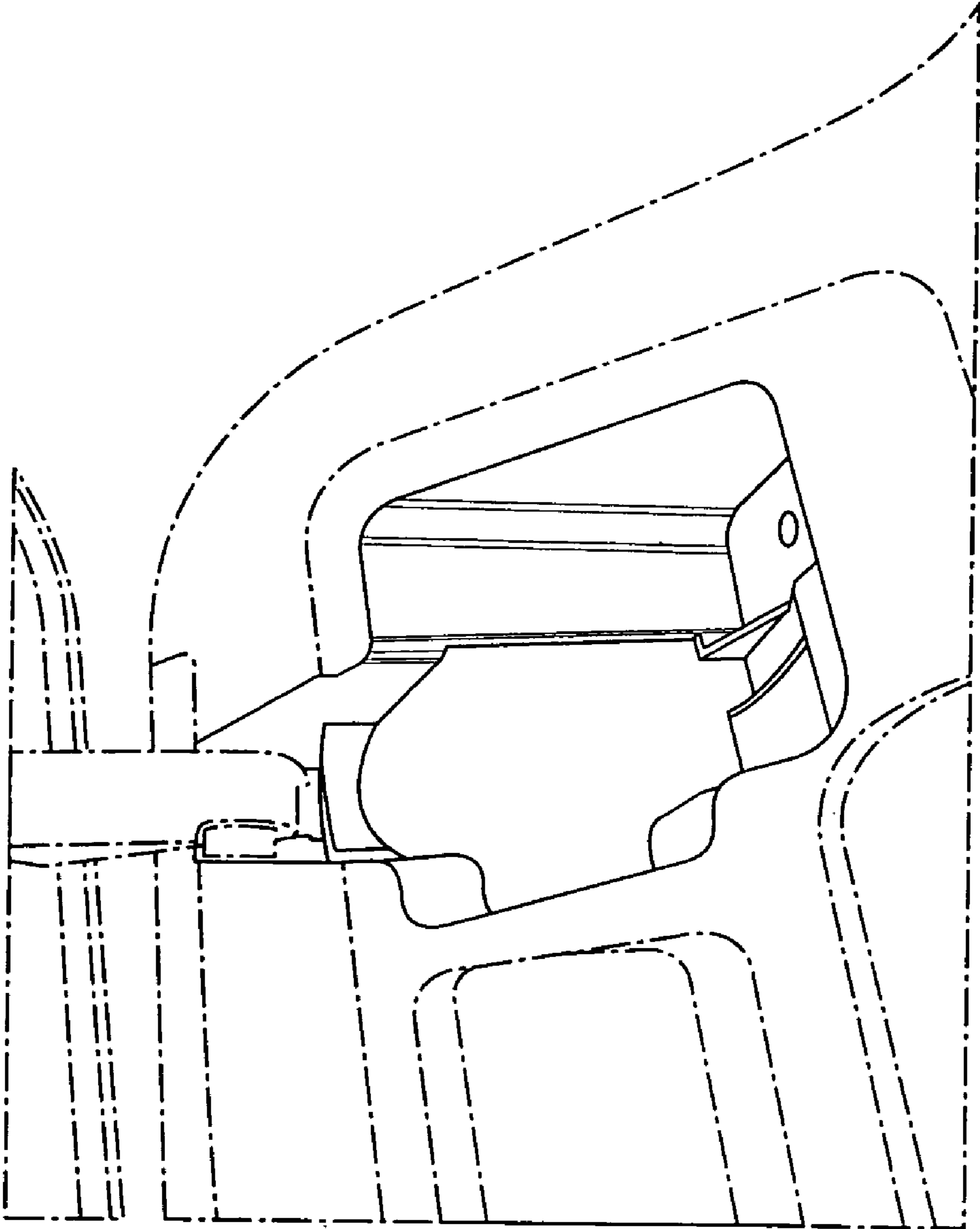
The broken lines showing the printer is included for purpose of illustrating environmental structure and forms no part of the claimed design.

**1 Claim, 4 Drawing Sheets**

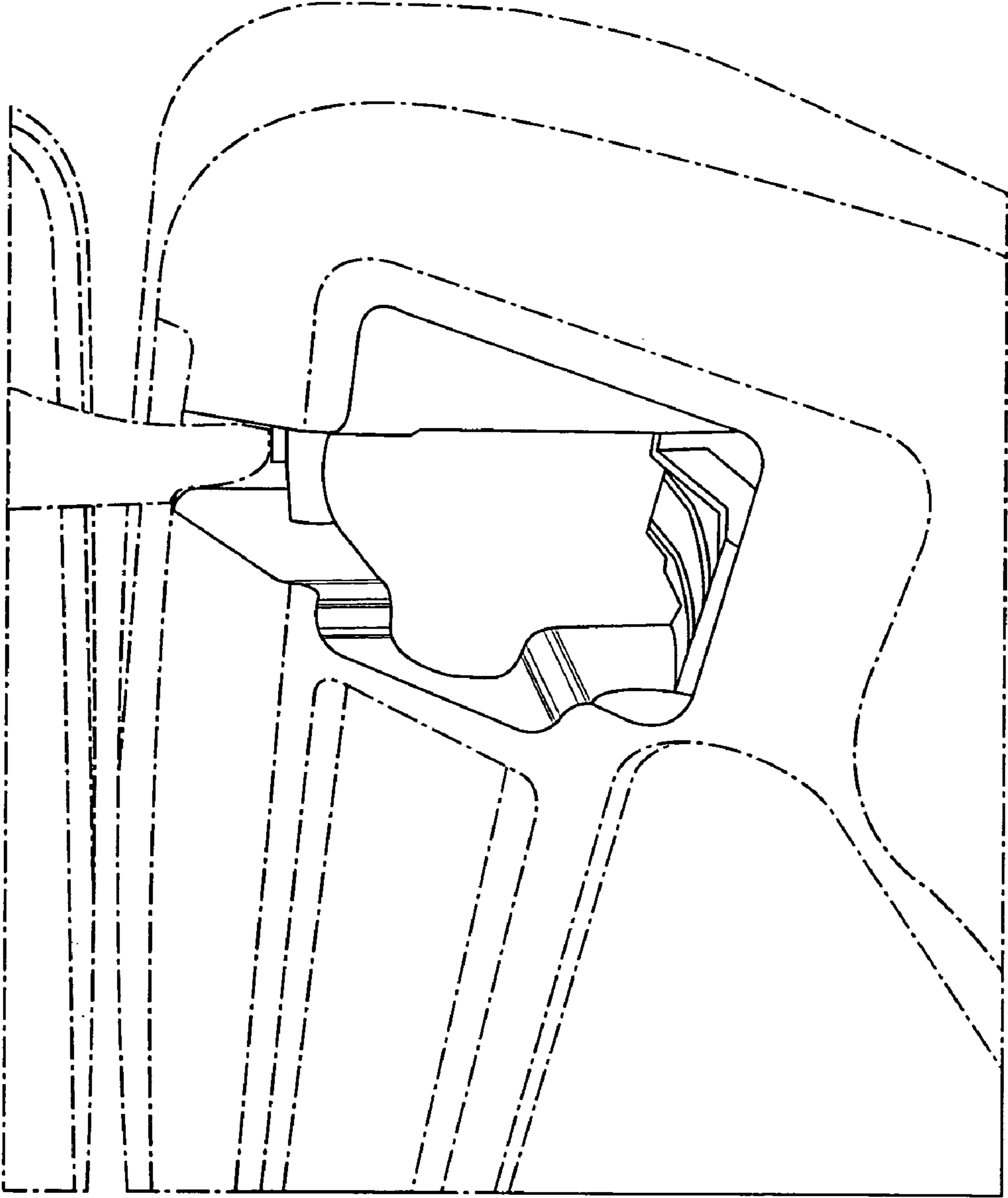




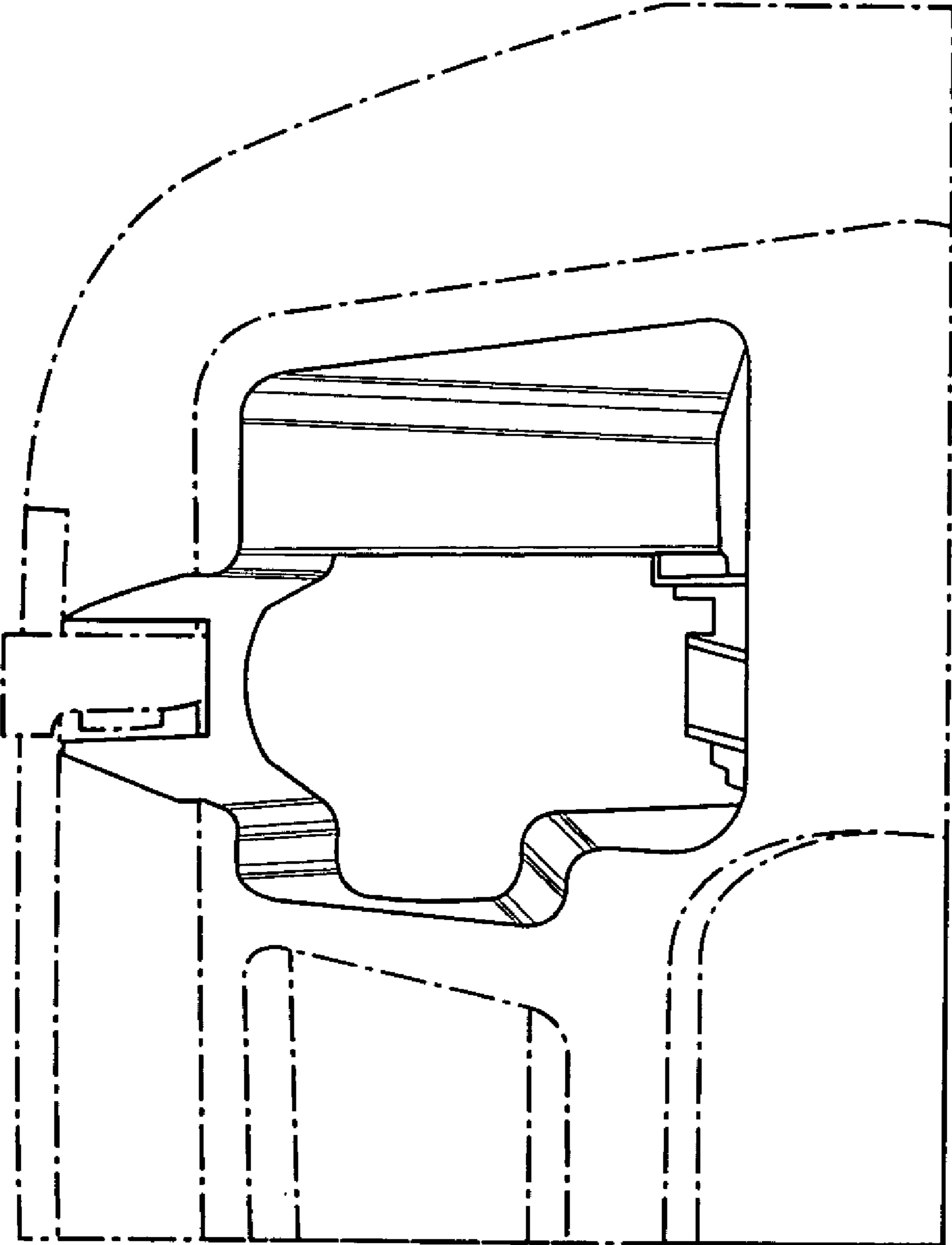
**FIG. 1**



**FIG. 2**



**FIG. 3**



*FIG. 4*