

US00D596663S

(12) **United States Design Patent**
Kamimura et al.

(10) **Patent No.:** **US D596,663 S**
(45) **Date of Patent:** **** Jul. 21, 2009**

(54) **PRINTER CARTRIDGE**

(75) Inventors: **Naoya Kamimura**, Nagoya (JP);
Makoto Ishii, Nagoya (JP); **Yasushi Okabe**, Nagoya (JP); **Isao Kishi**, Nagoya (JP)

(73) Assignee: **Brother Kogyo Kabushiki Kaisha**, Nagoya-Shi

(**) Term: **14 Years**

(21) Appl. No.: **29/276,991**

(22) Filed: **Feb. 9, 2007**

(30) **Foreign Application Priority Data**

Feb. 9, 2007 (JP) 2006-021429

(51) **LOC (9) Cl.** **16-03**

(52) **U.S. Cl.** **D18/43**

(58) **Field of Classification Search** D14/471;
D18/12, 36-40, 43, 44, 46-49, 56; 222/DIG. 1;
347/197, 222; 399/24-28, 107-112, 119,
399/121, 122, 222-224

See application file for complete search history.

(56) **References Cited**

U.S. PATENT DOCUMENTS

- D359,754 S * 6/1995 Hashizume et al. D18/43
- D377,663 S * 1/1997 Ziegler D18/43
- D397,140 S * 8/1998 Oshida D18/40
- D422,304 S 4/2000 Suzuki et al.
- D442,216 S 5/2001 Kimura et al.
- 6,377,759 B1 * 4/2002 Abe et al. 399/27
- D471,228 S 3/2003 Okabe et al.
- D489,752 S * 5/2004 Yamaguchi et al. D18/40
- D506,776 S 6/2005 Kobayashi et al.
- D507,296 S 7/2005 Ishii et al.
- D507,595 S 7/2005 Kobayashi et al.
- D507,596 S 7/2005 Kobayashi et al.
- D507,597 S 7/2005 Kobayashi et al.
- D507,809 S 7/2005 Kobayashi et al.

- D508,945 S 8/2005 Ishii et al.
- D510,947 S 10/2005 Ishii et al.
- D511,542 S 11/2005 Ishii et al.
- D512,092 S 11/2005 Kobayashi et al.
- D512,454 S 12/2005 Ishii et al.
- D522,564 S 6/2006 Ishii et al.
- 7,076,187 B2 * 7/2006 Jeong et al. 399/110
- D528,148 S 9/2006 Ishii et al.
- D531,660 S 11/2006 Ishii et al.
- D531,661 S 11/2006 Ishii et al.
- D533,215 S 12/2006 Ishii et al.
- D533,583 S 12/2006 Kobayashi et al.
- D537,110 S * 2/2007 Nakata et al. D18/40
- D550,764 S * 9/2007 Ishikawa et al. D18/43
- 2007/0036582 A1 * 2/2007 Okabe 399/111
- 2007/0280730 A1 * 12/2007 Okabe et al. 399/111
- 2008/0031656 A1 * 2/2008 Okabe 399/241

* cited by examiner

Primary Examiner—Caron Veynar

Assistant Examiner—Garth Rademaker

(74) *Attorney, Agent, or Firm*—Banner & Witcoff, Ltd.

(57) **CLAIM**

The ornamental design for a printer cartridge, as shown and described.

DESCRIPTION

FIG. 1 is a front view of a printer cartridge showing our new design;

FIG. 2 is a top view thereof;

FIG. 3 is a left side elevational view thereof;

FIG. 4 is a right side elevational view thereof;

FIG. 5 is a rear view thereof;

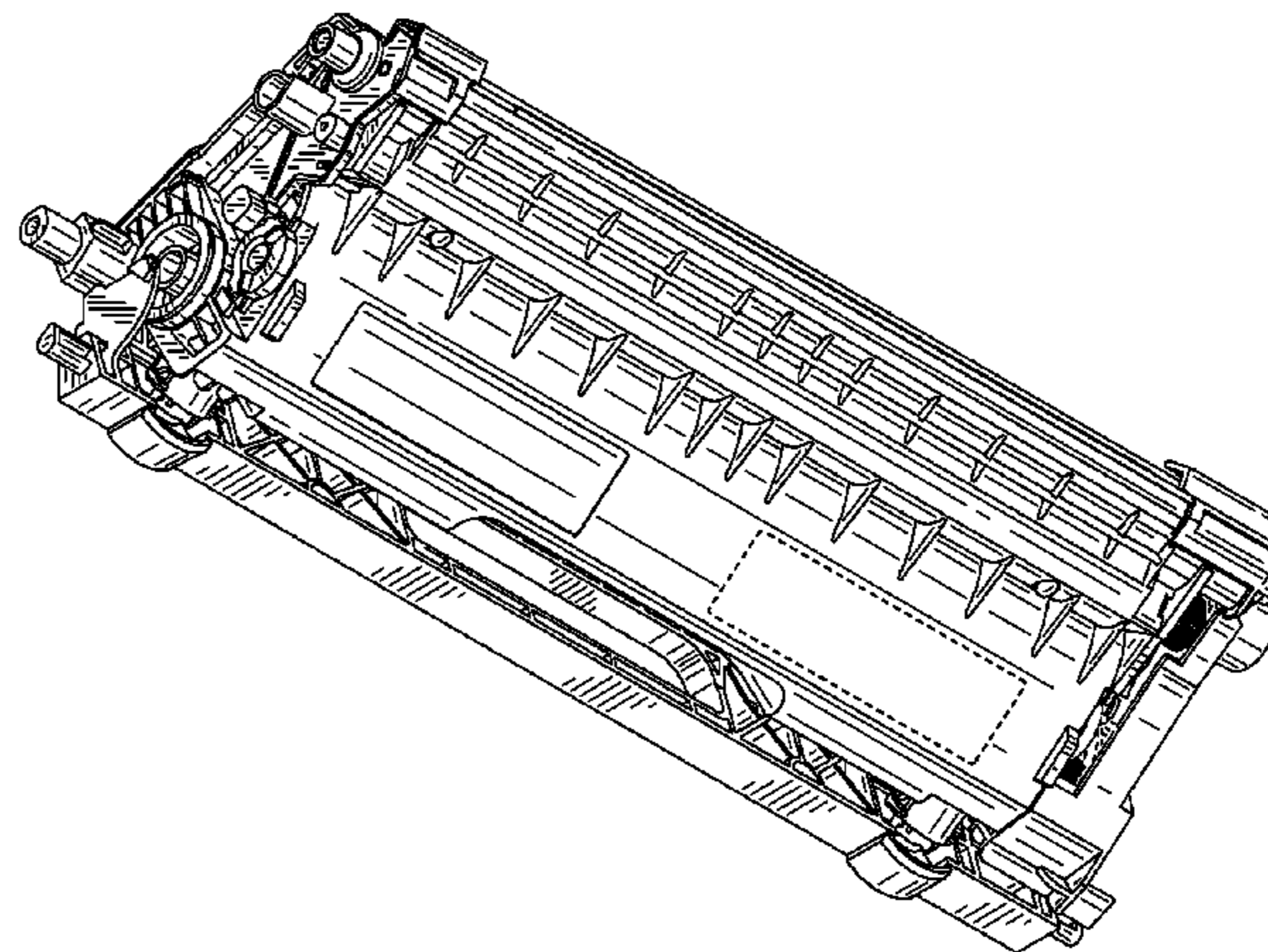
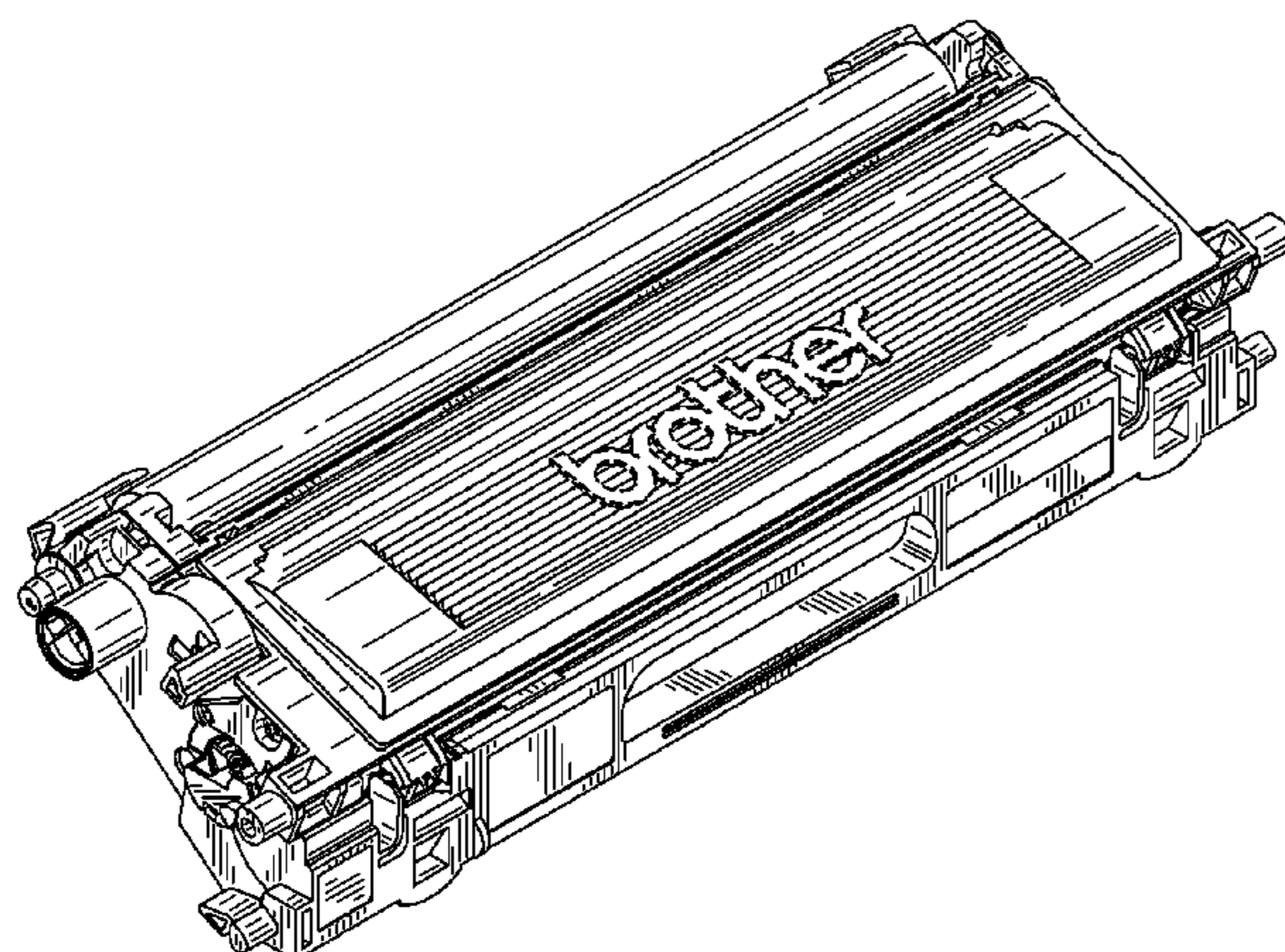
FIG. 6 is a bottom view thereof;

FIG. 7 is a top perspective view thereof; and,

FIG. 8 is a bottom perspective view thereof.

The broken lines depict environmental subject matter only and form no part of the claimed design.

1 Claim, 7 Drawing Sheets



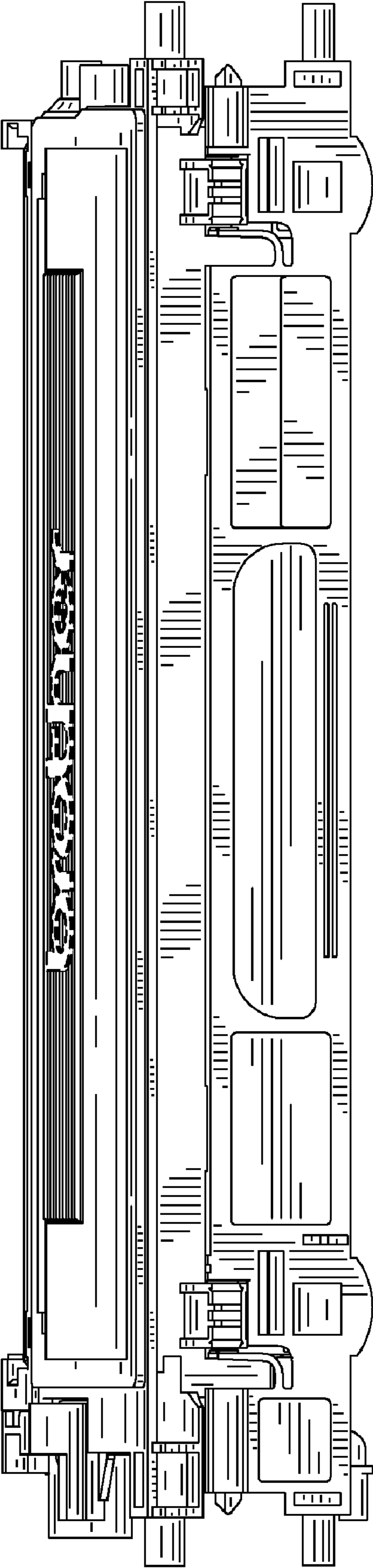


FIG. 1

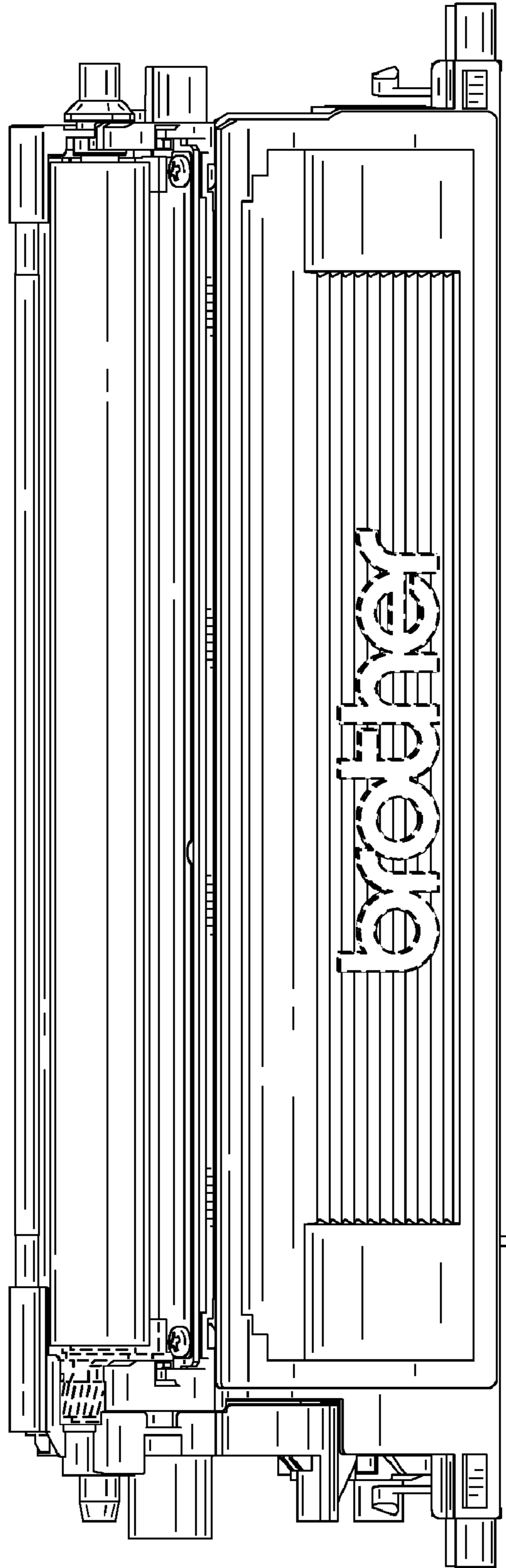


FIG. 2

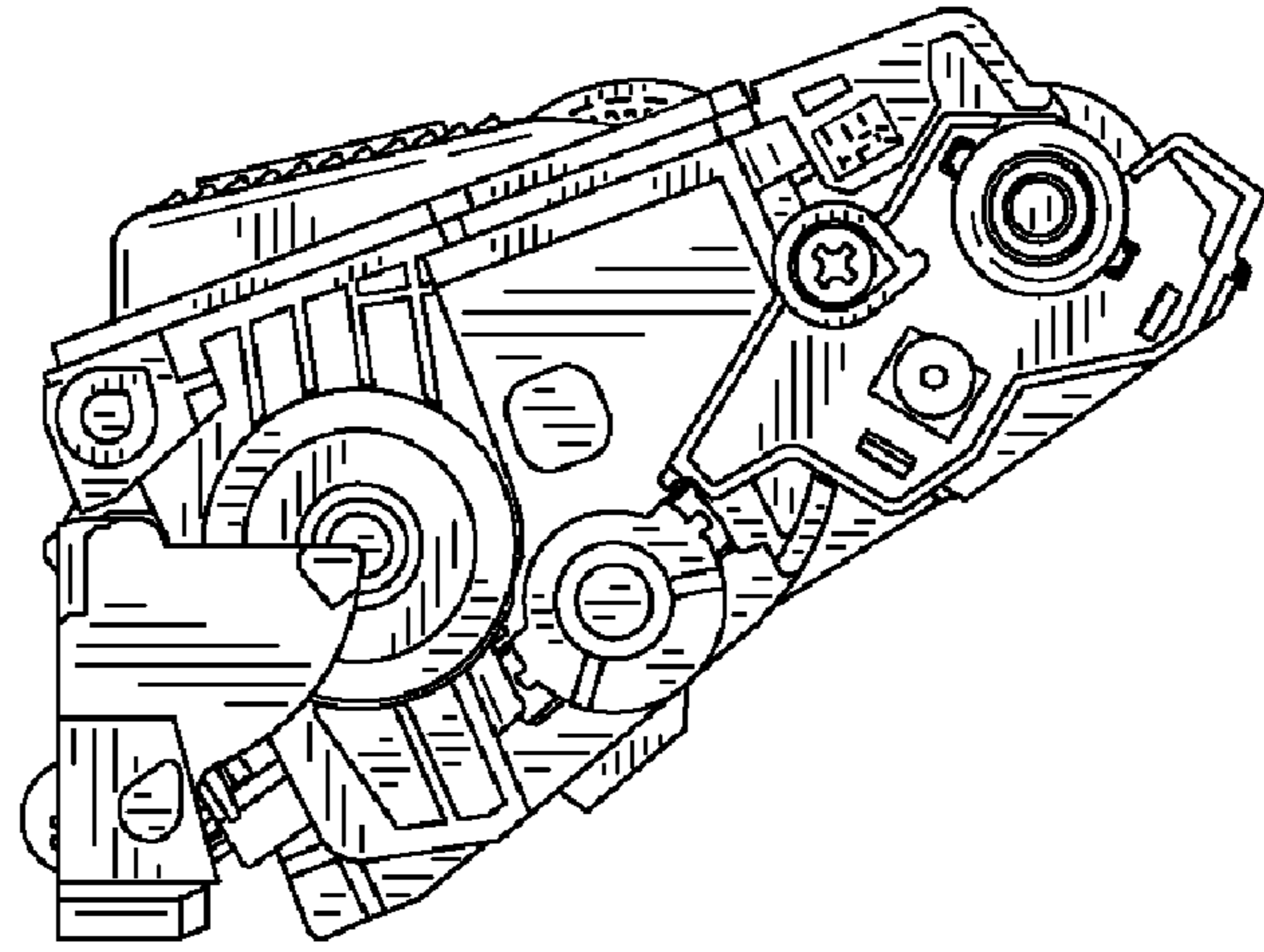


FIG. 3

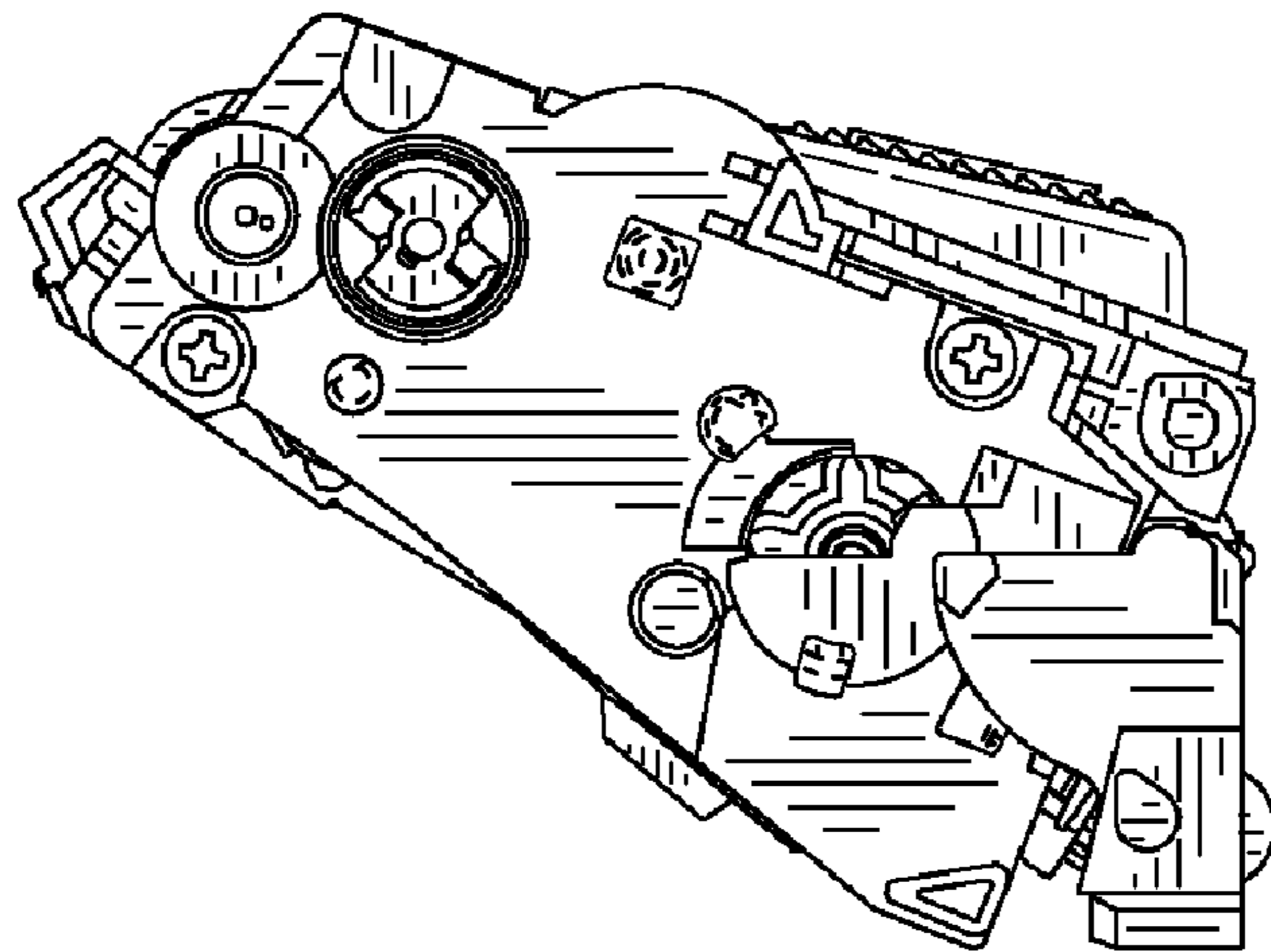


FIG. 4

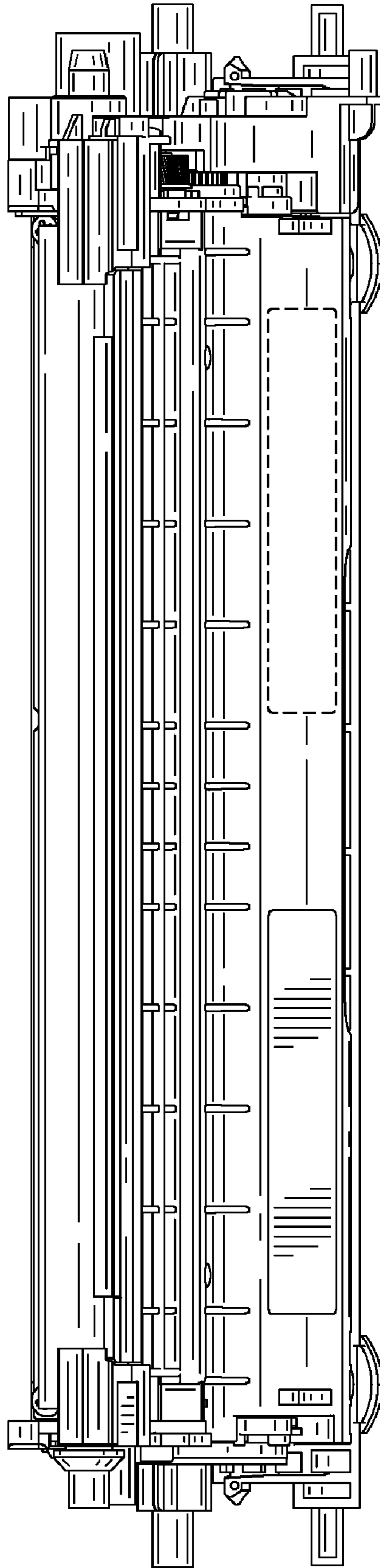


FIG. 5

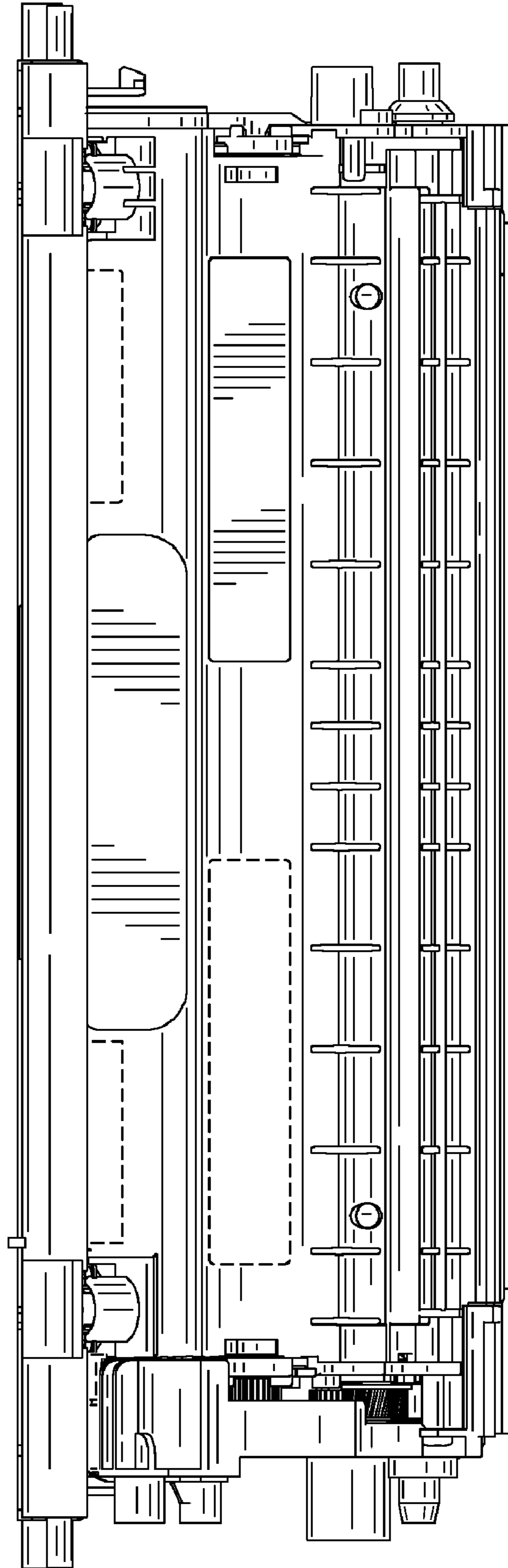


FIG. 6

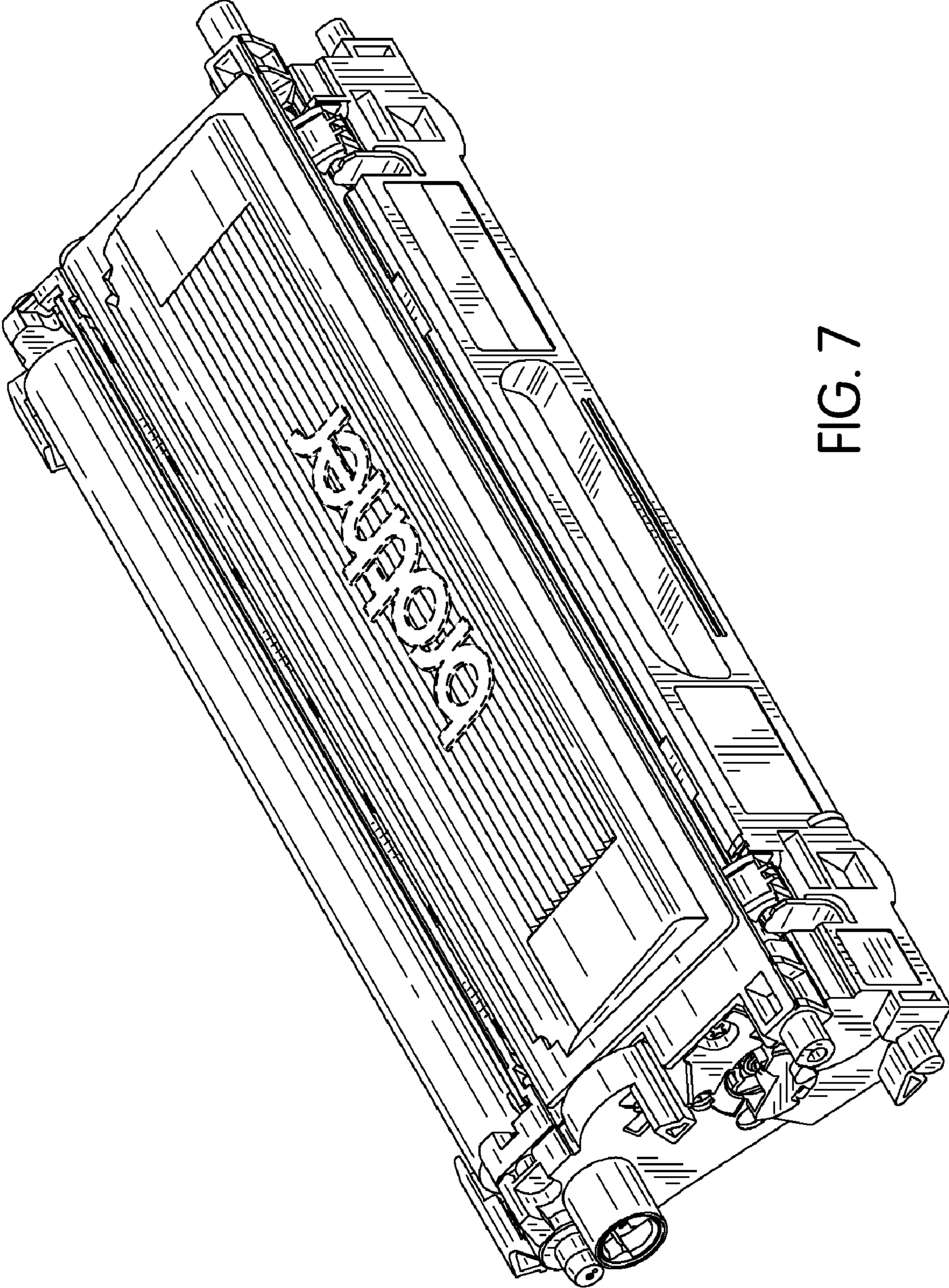


FIG. 7

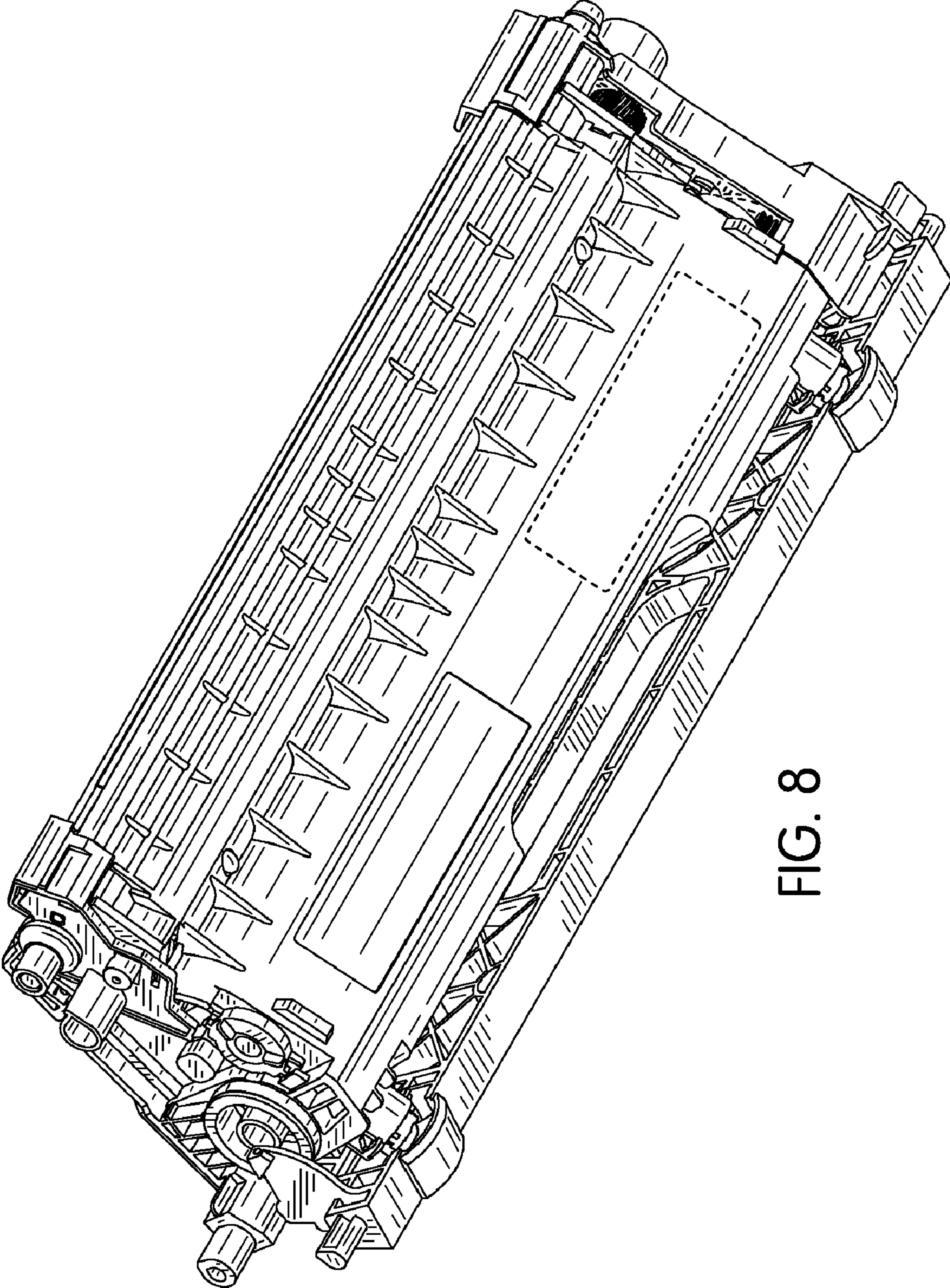


FIG. 8

UNITED STATES PATENT AND TRADEMARK OFFICE
CERTIFICATE OF CORRECTION

PATENT NO. : Des. 596,663 S
APPLICATION NO. : 29/276991
DATED : July 21, 2009
INVENTOR(S) : Naoya Kamimura et al.

Page 1 of 1

It is certified that error appears in the above-identified patent and that said Letters Patent is hereby corrected as shown below:

On the Title Page, Item (30) Foreign Application Priority Data:
Please delete "February 9, 2007" and insert --August 10, 2006--.

Signed and Sealed this

Nineteenth Day of January, 2010

A handwritten signature in black ink that reads "David J. Kappos". The signature is written in a cursive, flowing style.

David J. Kappos
Director of the United States Patent and Trademark Office