



US00D596658S

(12) **United States Design Patent**
Dordick

(10) **Patent No.:** **US D596,658 S**
(45) **Date of Patent:** **** *Jul. 21, 2009**

(54) **CAMERA MOUNT**

(76) Inventor: **Scott D. Dordick**, 2041 E. Gladstone St.,
Unit 'H', Glendora, CA (US) 91740

(*) Notice: This patent is subject to a terminal disclaimer.

(**) Term: **14 Years**

(21) Appl. No.: **29/285,181**

(22) Filed: **Mar. 23, 2007**

Related U.S. Application Data

(63) Continuation-in-part of application No. 29/144,931,
filed on Jul. 12, 2001, now Pat. No. Des. 472,811.

(51) **LOC (9) Cl.** **16-05**

(52) **U.S. Cl.** **D16/242; D16/245**

(58) **Field of Classification Search** D16/237,
D16/242, 244, 245, 239; 248/176.1, 177.1,
248/185.1, 187.1, 161, 176.3; 396/419, 425,
396/428, 218, 420, 422; 352/243
See application file for complete search history.

(56) **References Cited**

U.S. PATENT DOCUMENTS

- 3,356,325 A * 12/1967 Schnase 248/187.1
- D245,988 S * 10/1977 Miller D16/245
- D292,982 S * 12/1987 Nakatani D16/245
- 4,763,151 A * 8/1988 Klinger 396/419
- 4,955,568 A * 9/1990 O'Connor et al. 248/183.3
- 4,979,709 A * 12/1990 Ishikawa 248/187.1

- D323,339 S * 1/1992 Ishikawa D16/245
- D327,084 S * 6/1992 Miyauchi D16/245
- D366,887 S * 2/1996 Wood D16/245
- D382,288 S * 8/1997 Usui D16/245
- D405,815 S * 2/1999 Takizawa D16/242
- D467,605 S * 12/2002 Dordick D16/242
- D483,788 S * 12/2003 Dordick D16/245
- D484,168 S * 12/2003 Dordick D16/242
- 6,827,319 B2 * 12/2004 Mayr 248/187.1
- D515,614 S * 2/2006 Speggorin D16/245
- D537,859 S * 3/2007 Speggorin D16/245
- 2006/0239677 A1 * 10/2006 Friedrich 396/419

* cited by examiner

Primary Examiner—Ian Simmons

Assistant Examiner—Wan Laymon

(74) *Attorney, Agent, or Firm*—Richard S. Erbe

(57) **CLAIM**

The ornamental design for a camera mount, as shown and described.

DESCRIPTION

FIG. 1 is a right and front perspective view of a camera mount showing my new design;

FIG. 2 is a rear elevation view thereof;

FIG. 3 is a top plan view thereof;

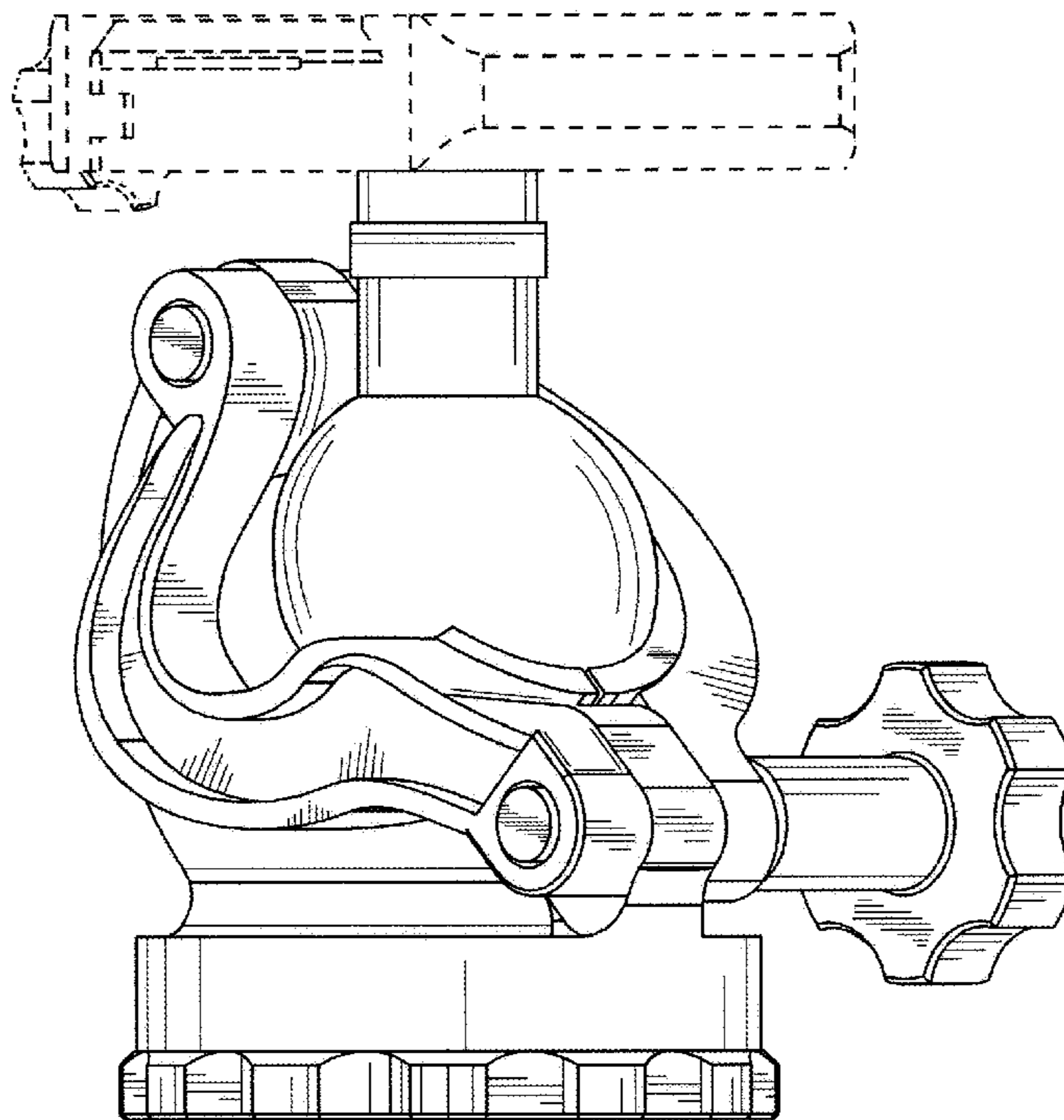
FIG. 4 is a right elevation view thereof;

FIG. 5 is a left elevation view thereof;

FIG. 6 is a front elevation view thereof; and,

FIG. 7 is a bottom plan view thereof.

1 Claim, 5 Drawing Sheets



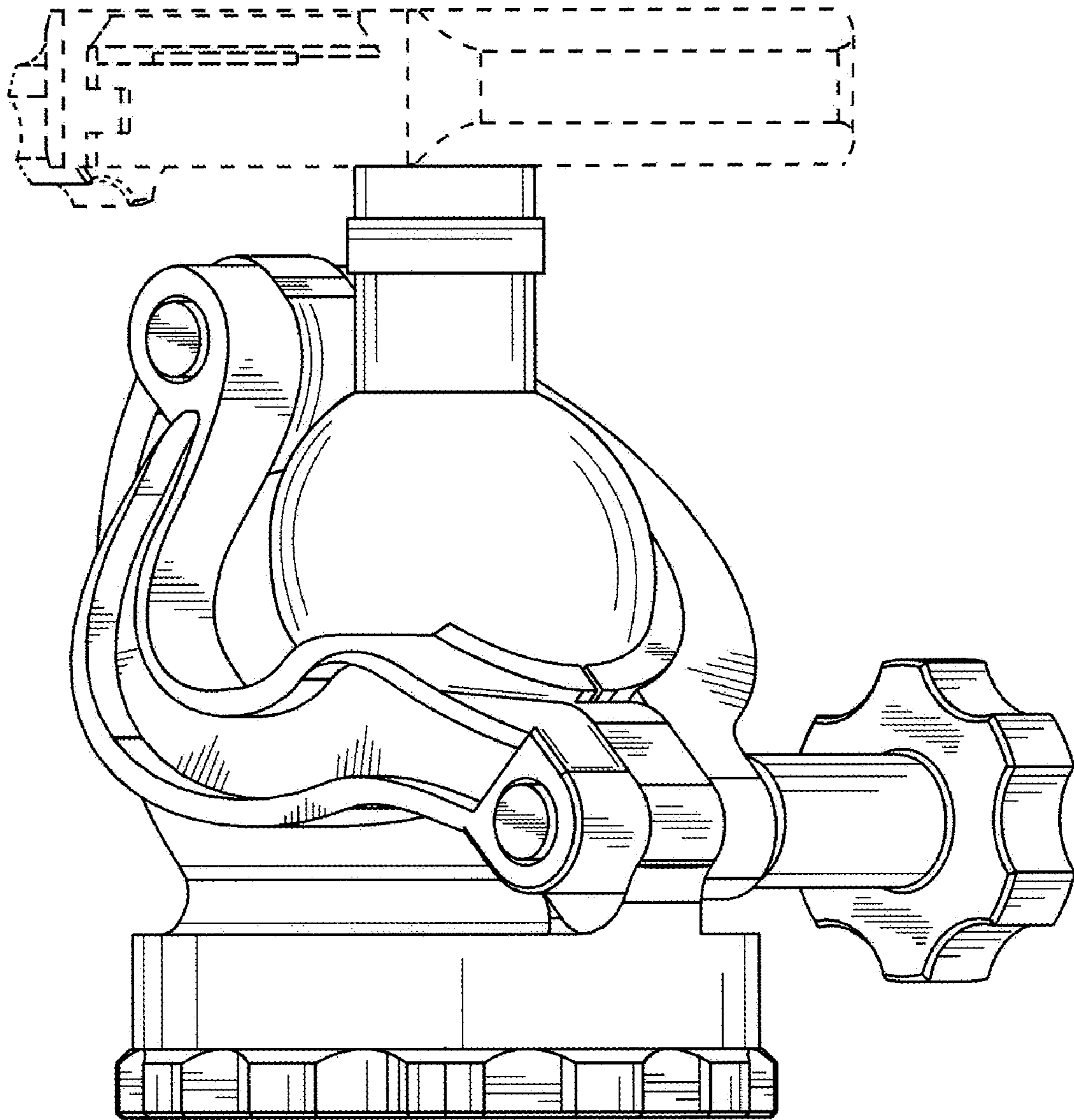


FIG. 1

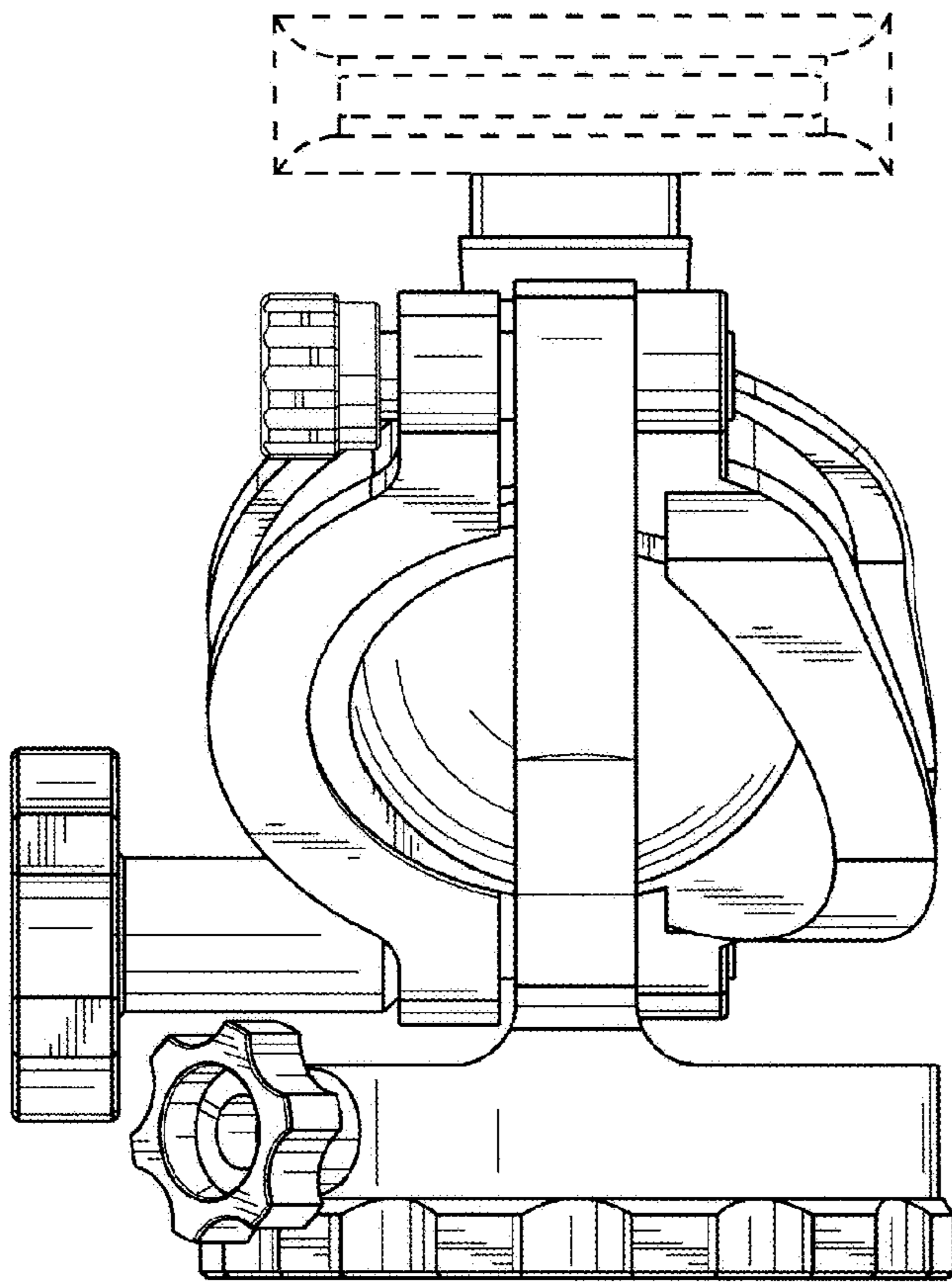


FIG. 2

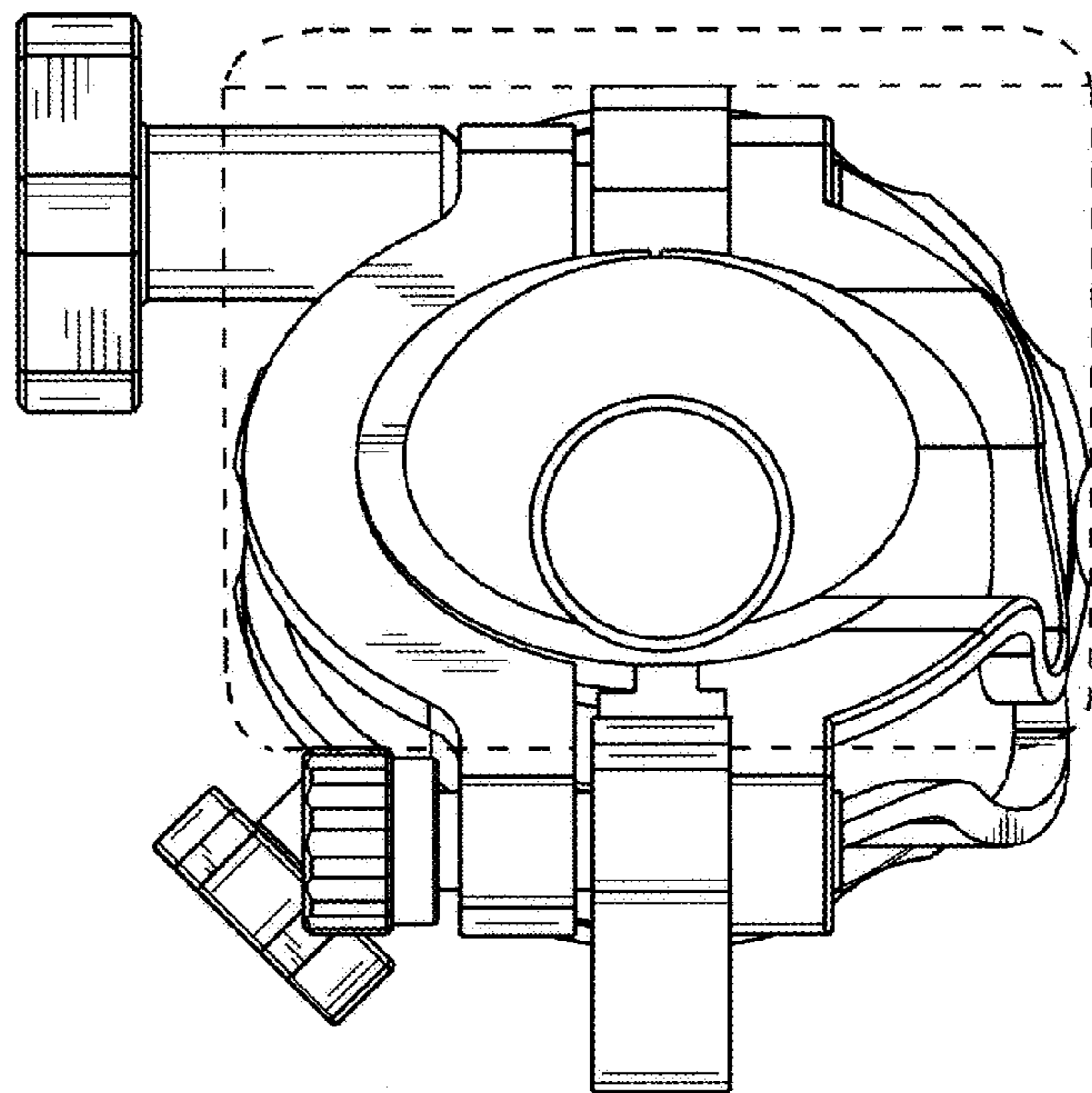


FIG. 3

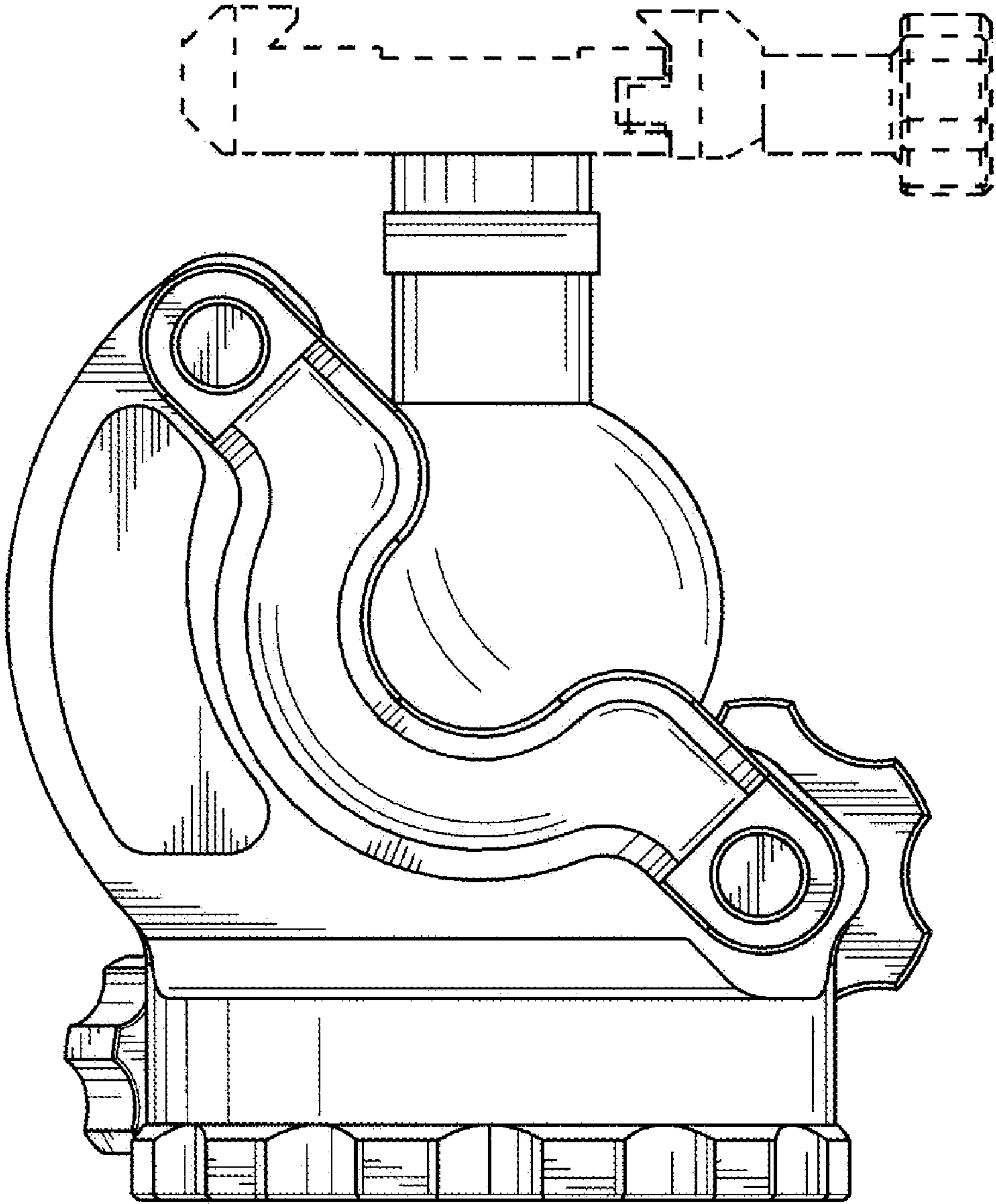


FIG. 4

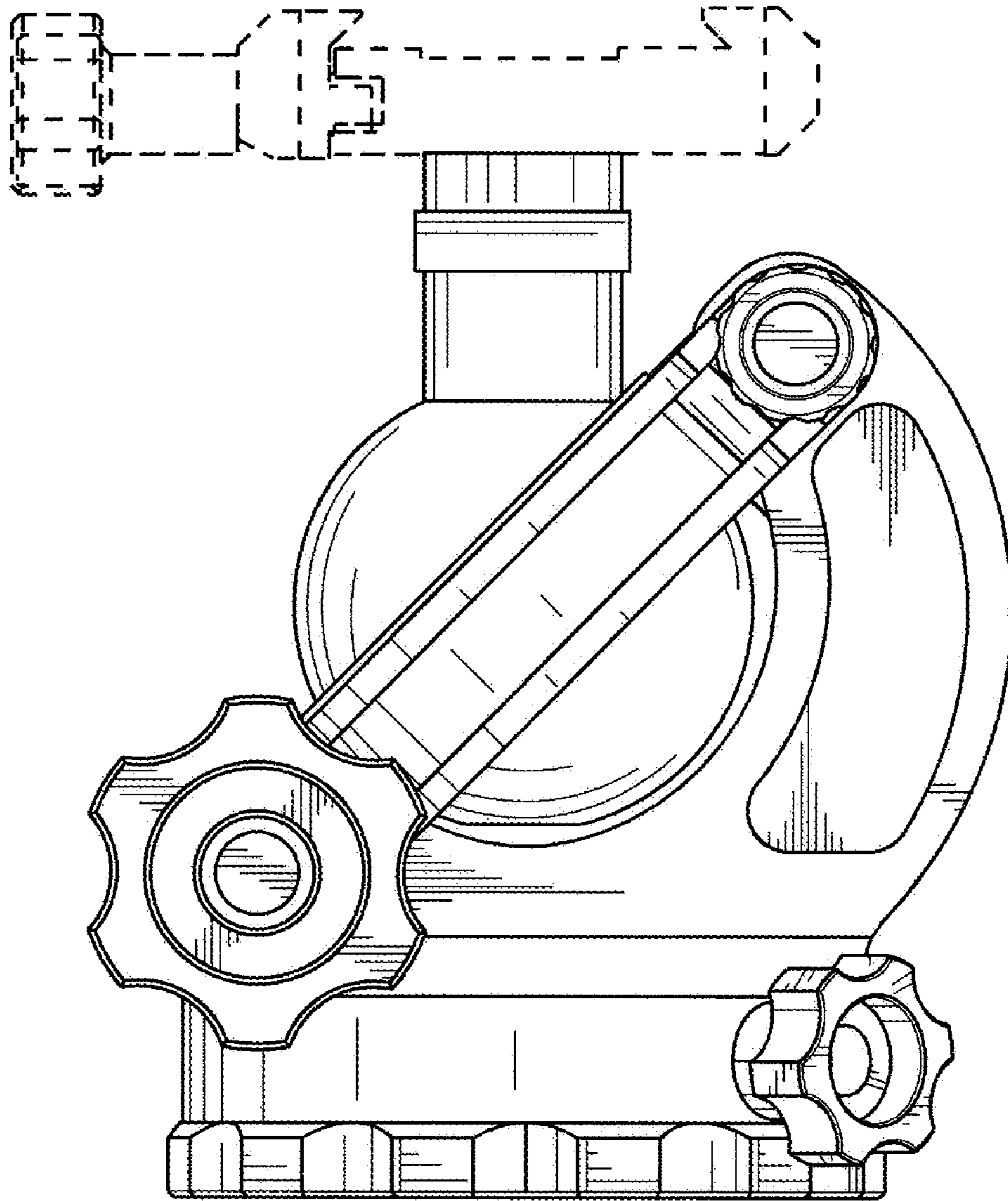


FIG. 5

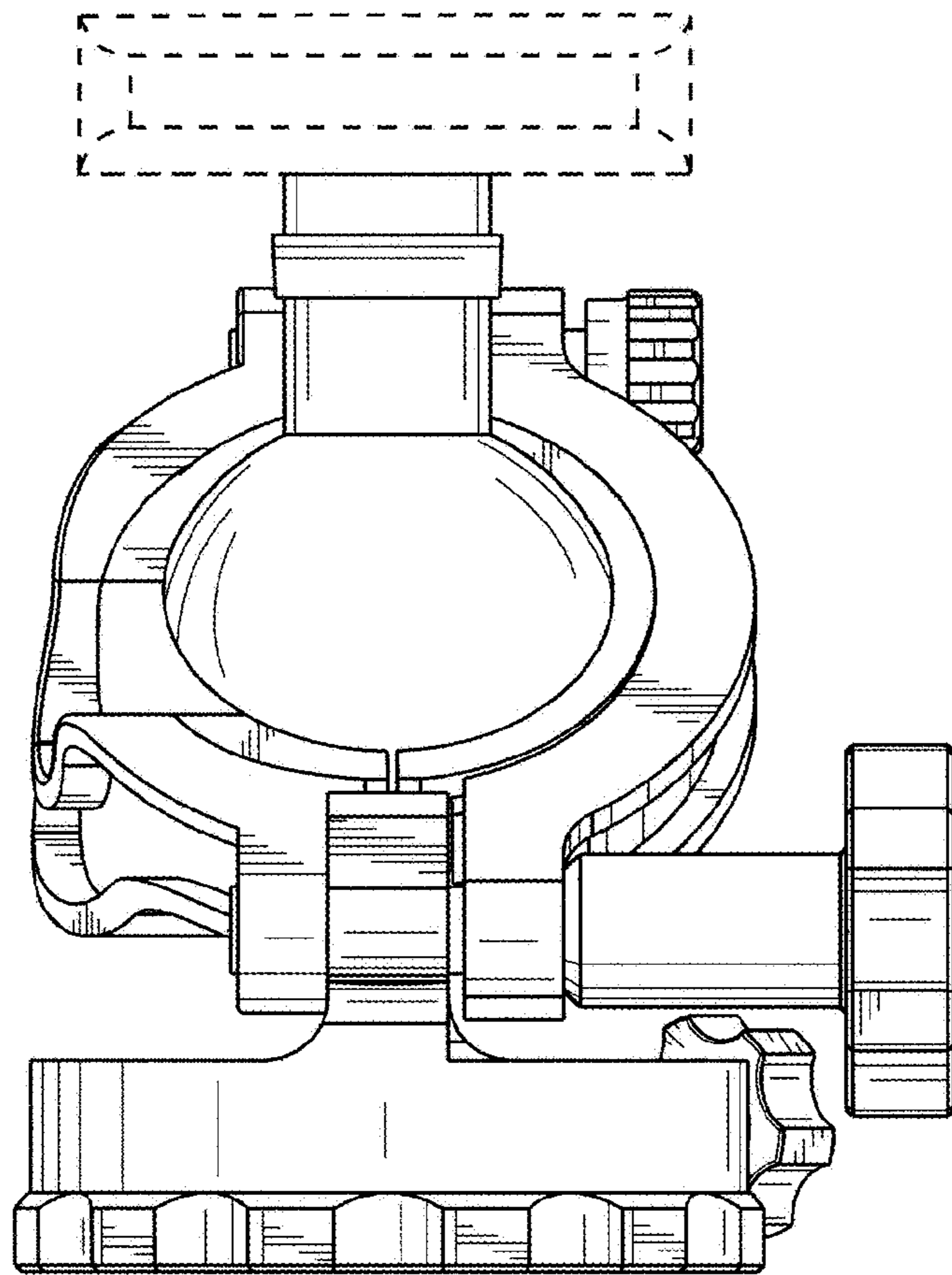


FIG. 6

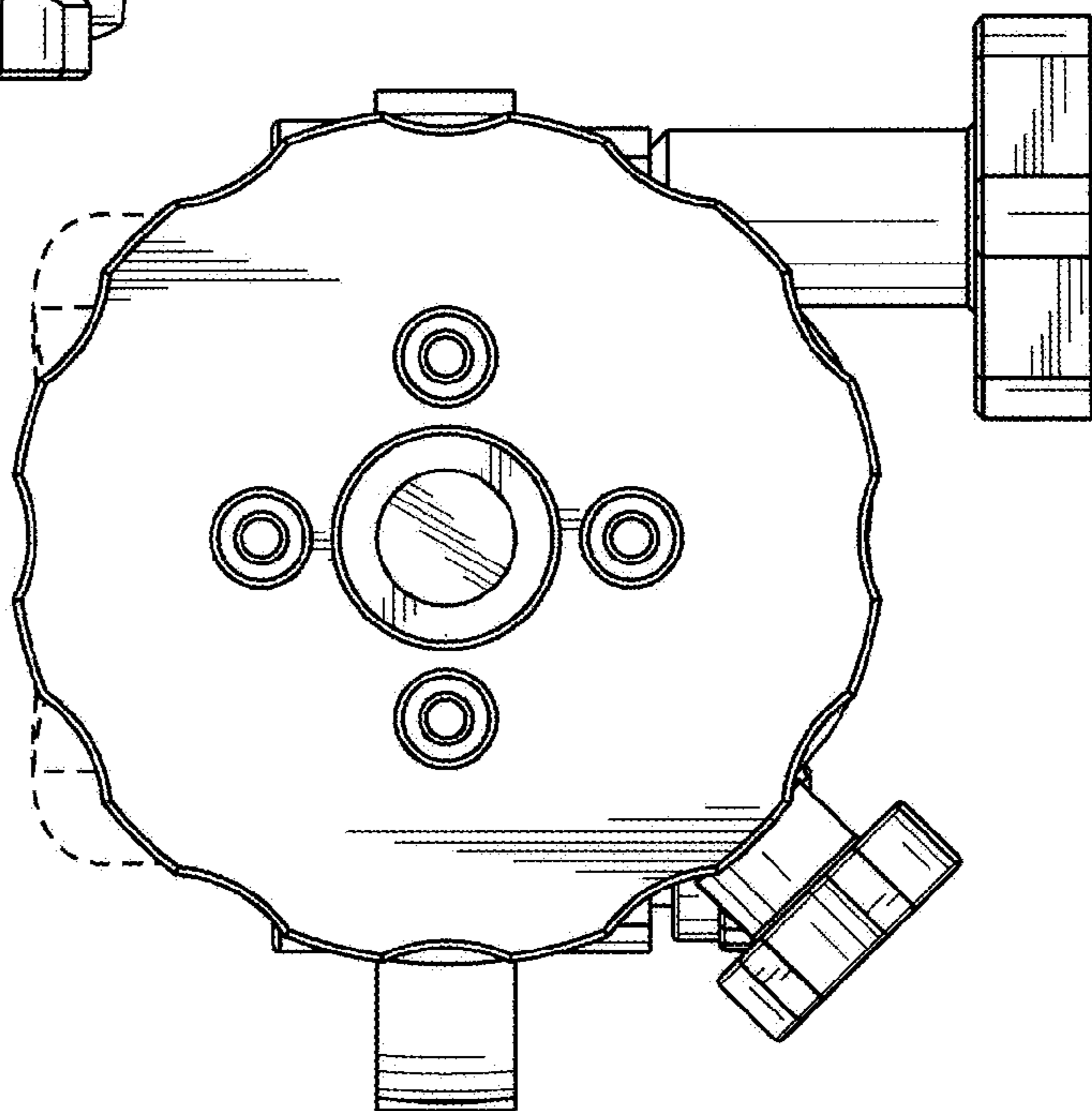


FIG. 7