



US00D596656S

(12) **United States Design Patent**
Nakanishi

(10) **Patent No.:** **US D596,656 S**
(45) **Date of Patent:** **** Jul. 21, 2009**

(54) **VIDEO PROJECTOR**

(75) Inventor: **Yutaka Nakanishi**, Tokyo (JP)

(73) Assignee: **Victor Company of Japan, Limited**,
Yokohama-shi, Kanagawa (JP)

(**) Term: **14 Years**

(21) Appl. No.: **29/310,966**

(22) Filed: **Sep. 19, 2008**

(30) **Foreign Application Priority Data**

Mar. 21, 2008 (JP) 2008-007002

(51) **LOC (9) Cl.** **16-02**

(52) **U.S. Cl.** **D16/230; D16/225**

(58) **Field of Classification Search** D16/205,
D16/208, 213, 221, 225, 230-231, 234; D21/514;
353/115, 119, 122

See application file for complete search history.

(56) **References Cited**

U.S. PATENT DOCUMENTS

D398,321 S * 9/1998 Iida D16/230
D479,551 S * 9/2003 Min et al. D16/230
D489,391 S * 5/2004 Morishita et al. D16/230
D492,339 S * 6/2004 Niitsu D16/230
D547,352 S * 7/2007 Tako D16/230

D548,263 S * 8/2007 Nakanishi D16/230
D552,657 S * 10/2007 Oota D16/230
2007/0258047 A1 * 11/2007 Miyamoto et al. 353/20
2008/0055553 A1 * 3/2008 Hirouchi et al. 353/20

* cited by examiner

Primary Examiner—Ian Simmons

Assistant Examiner—Wan Laymon

(74) *Attorney, Agent, or Firm*—Osha • Liang LLP

(57) **CLAIM**

The ornamental design for a video projector, as shown and described.

DESCRIPTION

FIG. 1 is a perspective view of the front, right and top of a video projector showing my new design;

FIG. 2 is a front view thereof;

FIG. 3 is a rear view thereof;

FIG. 4 is a top plan view thereof;

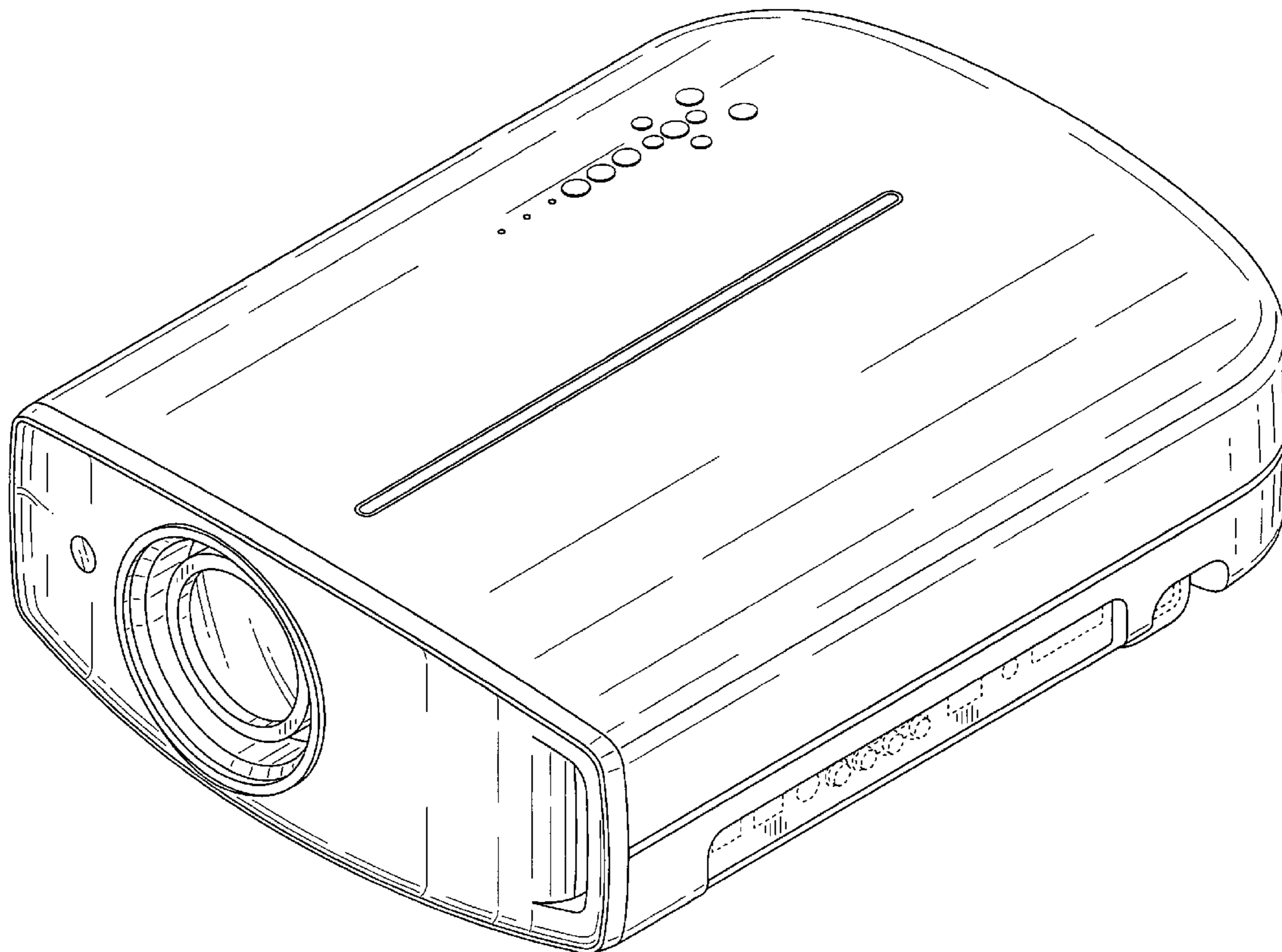
FIG. 5 is a bottom view thereof;

FIG. 6 is a right side view thereof; and,

FIG. 7 is a left side view thereof.

The elements shown in broken lines are for illustrative purposes only and form no part of the claimed design.

1 Claim, 6 Drawing Sheets



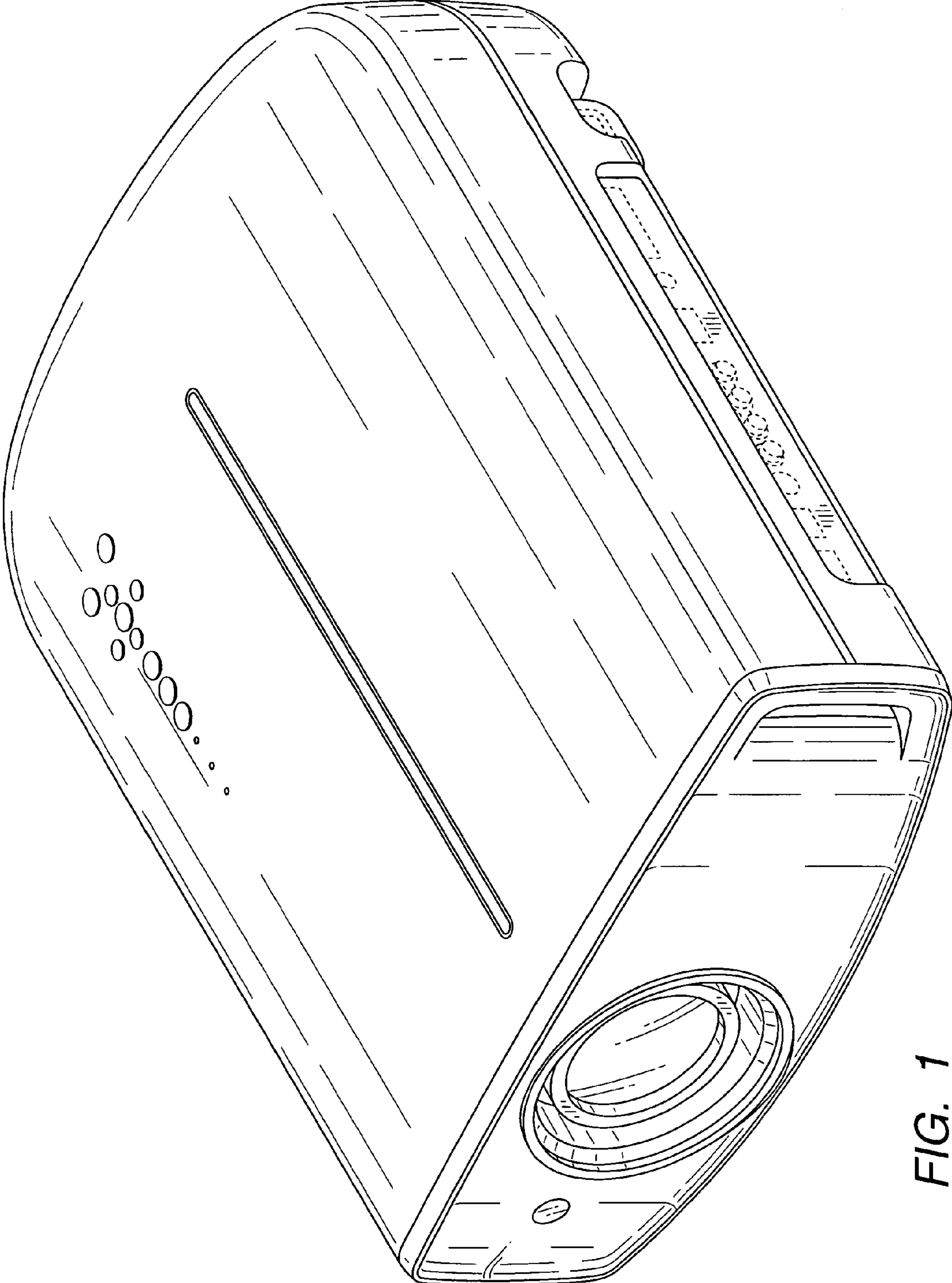


FIG. 1

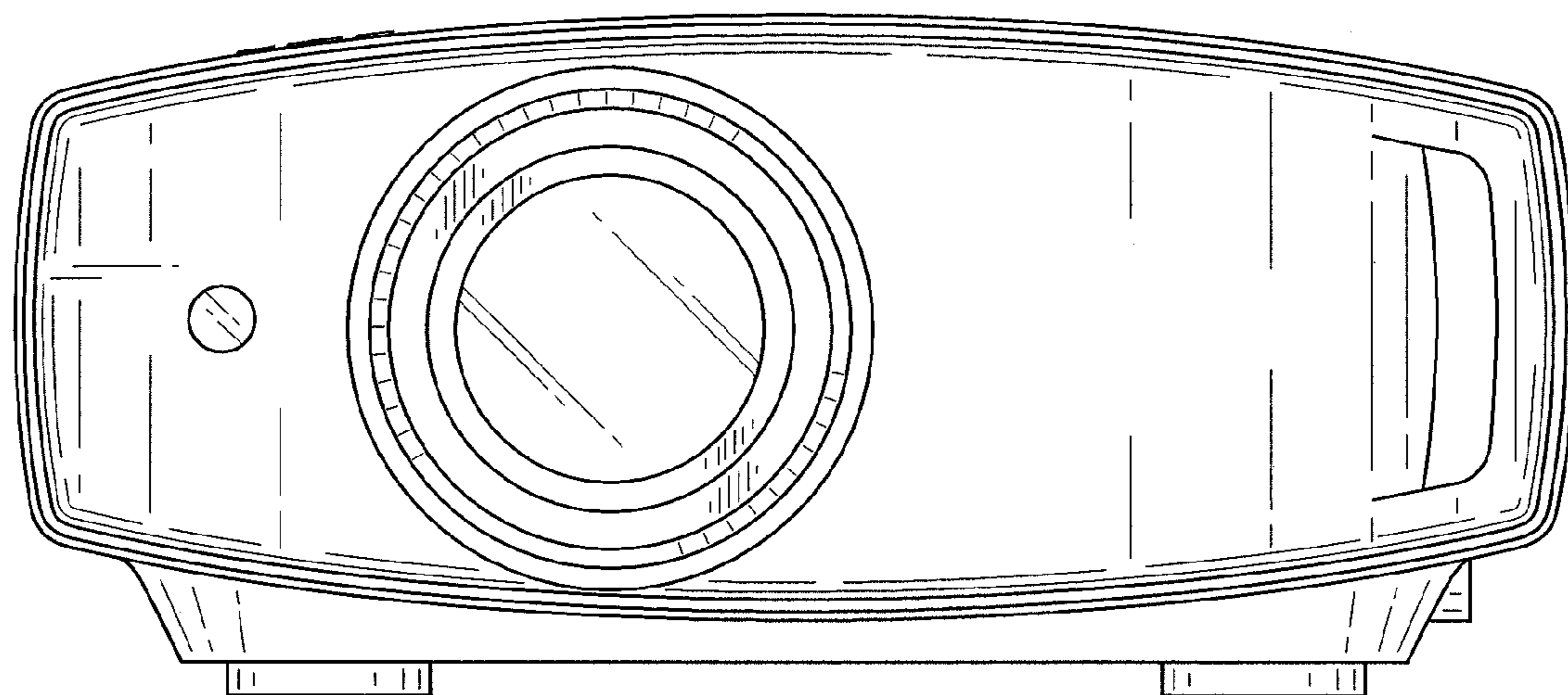


FIG. 2

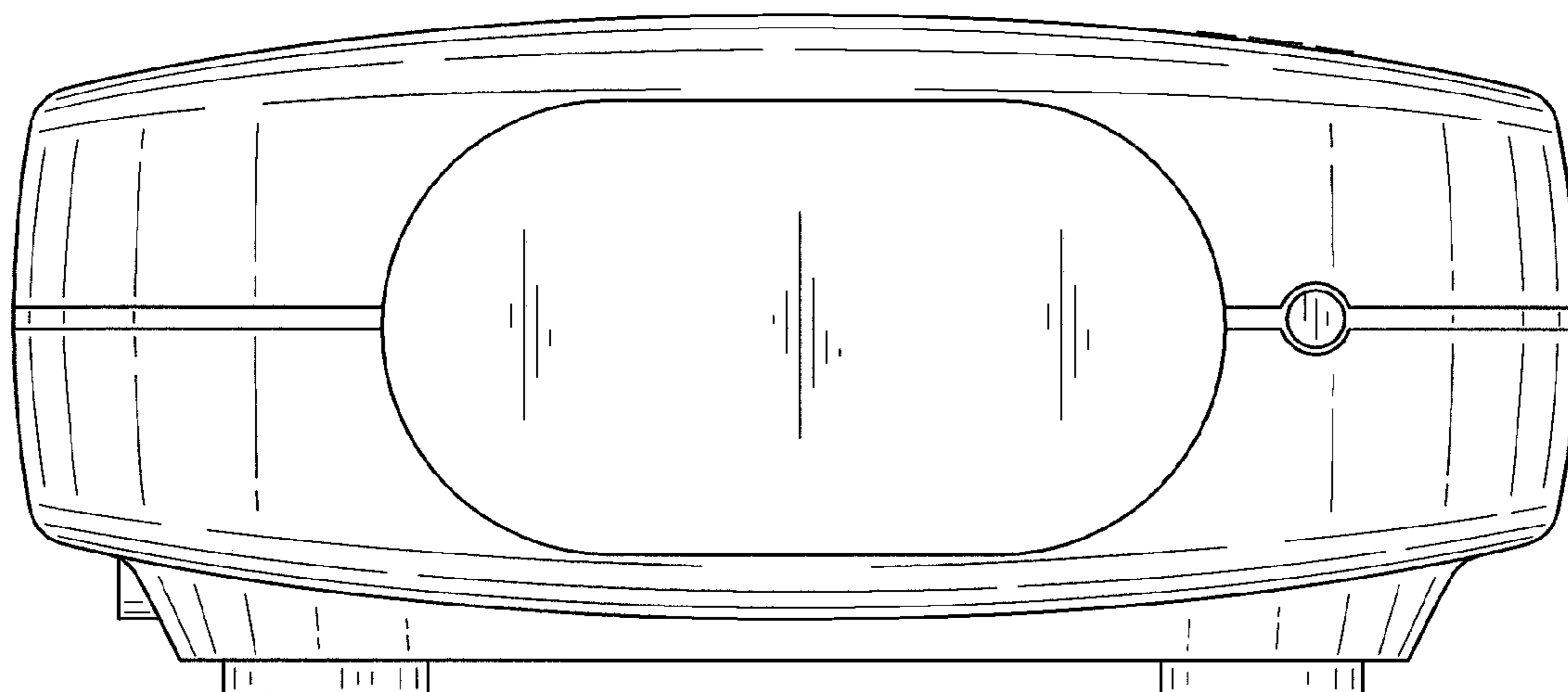


FIG. 3

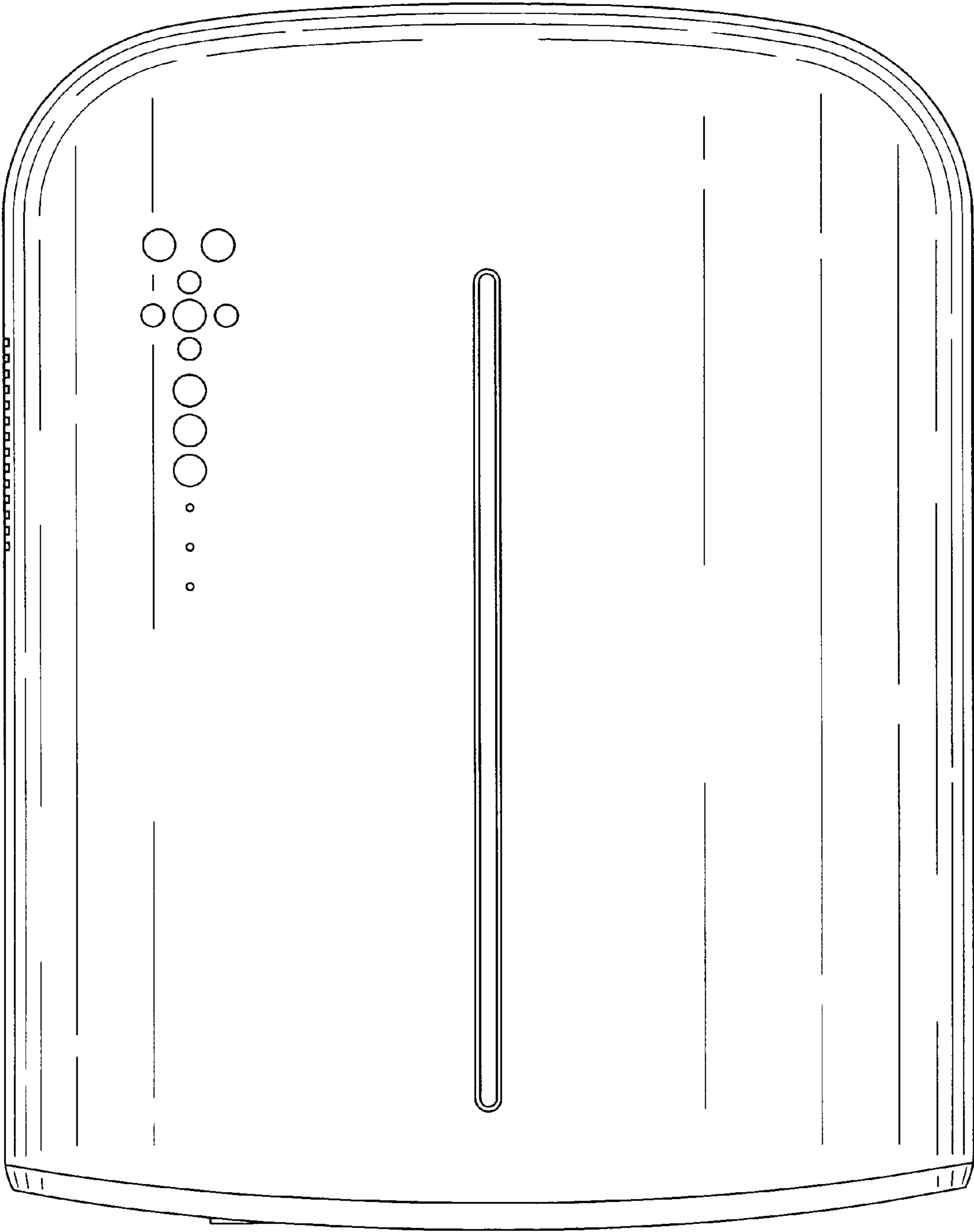


FIG. 4

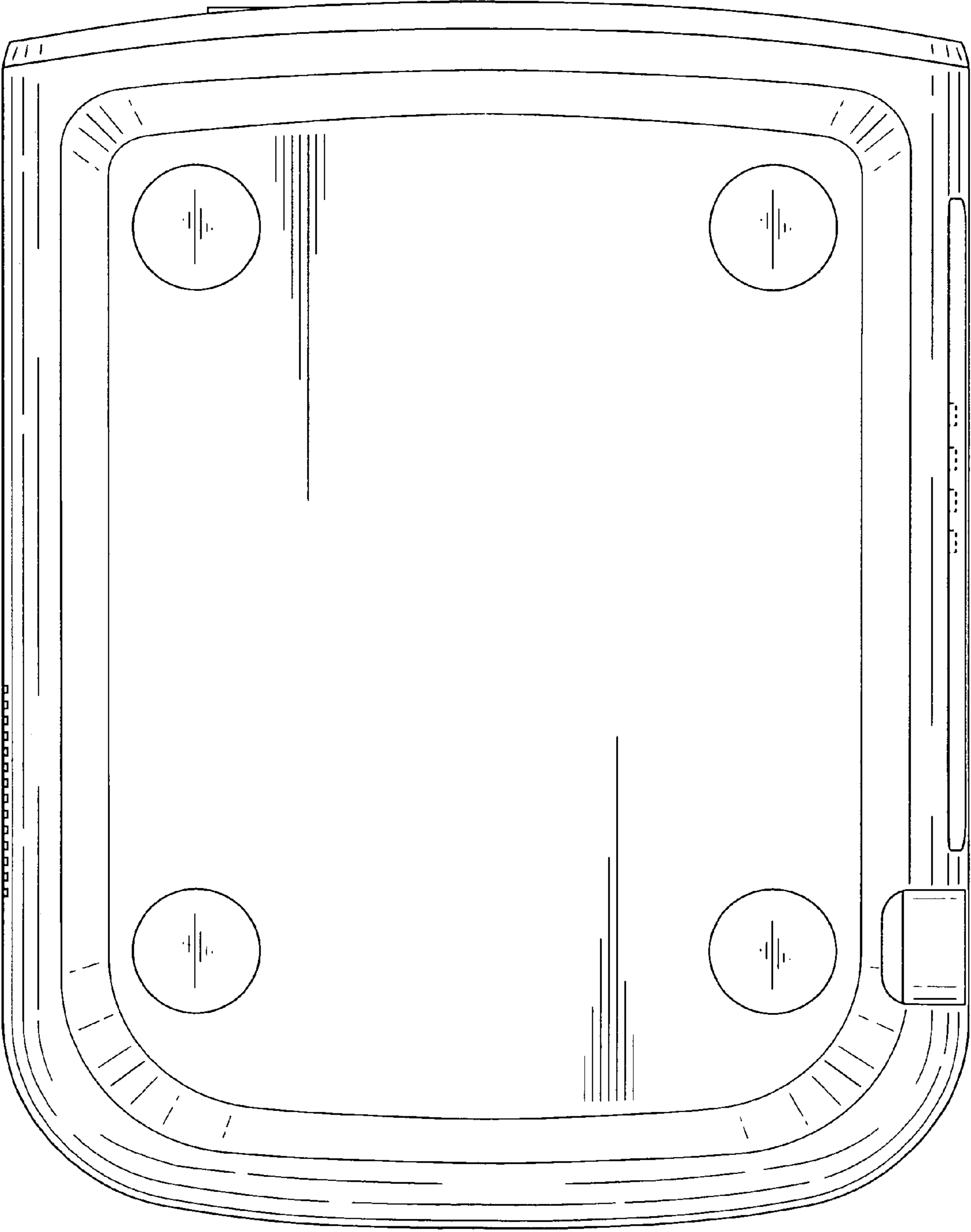


FIG. 5

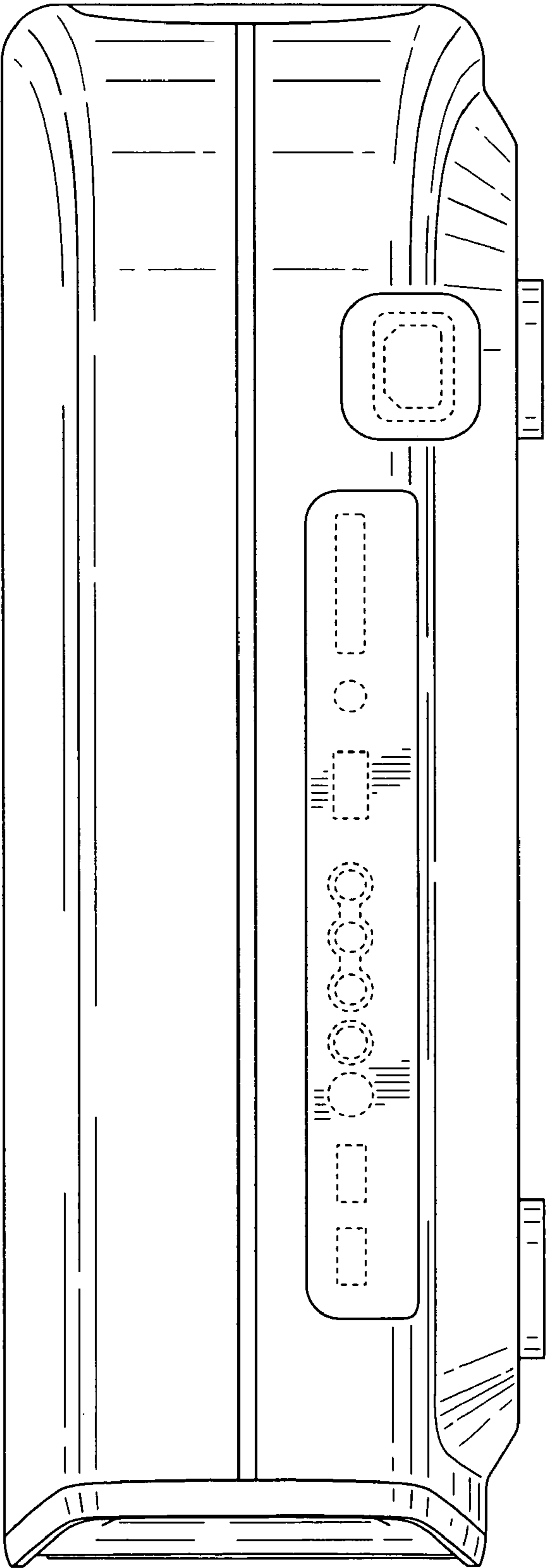


FIG. 6

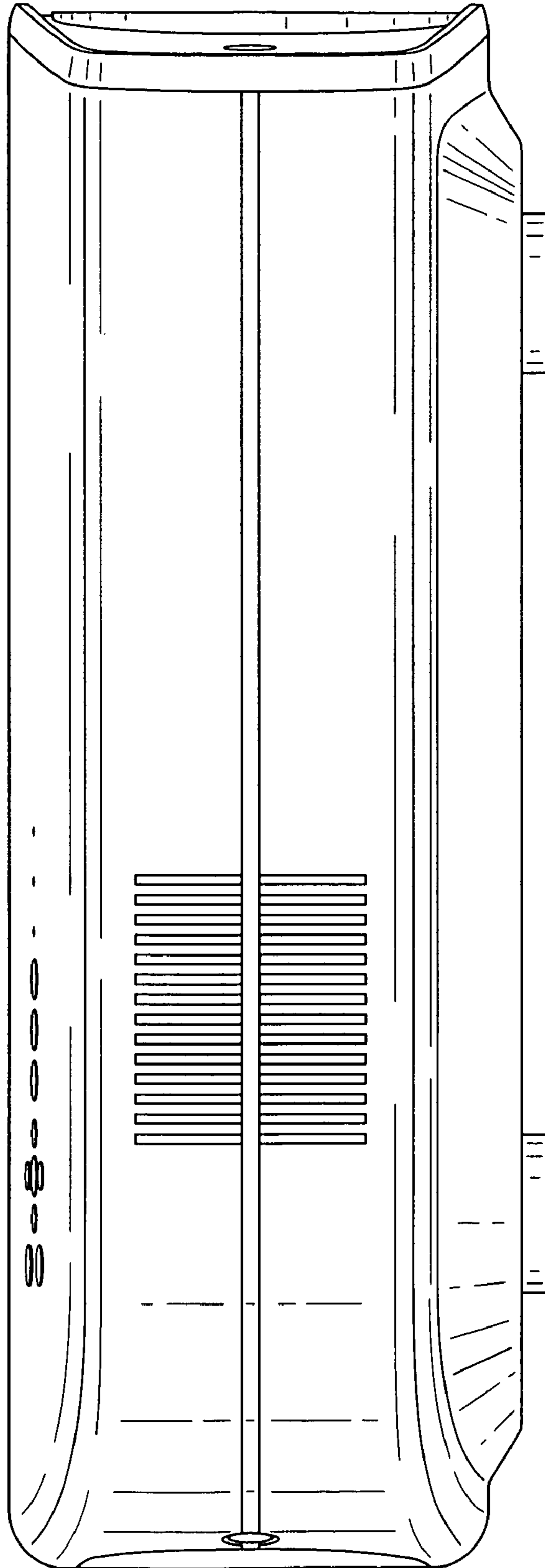


FIG. 7