



US00D596655S

(12) **United States Design Patent**
Maerzhaeuser

(10) **Patent No.:** **US D596,655 S**
(45) **Date of Patent:** **** Jul. 21, 2009**

(54) **MICROSCOPE TABLE**
(75) Inventor: **Guenter Maerzhaeuser, Wetzlar (DE)**
(73) Assignee: **Maerzhaeuser Wetzler GmbH & Co. KG, Wetzlar (DE)**
(**) Term: **14 Years**
(21) Appl. No.: **29/317,979**
(22) Filed: **May 12, 2008**

(30) **Foreign Application Priority Data**
Nov. 12, 2007 (EM) 000824594-0001
(51) **LOC (9) Cl.** **16-06**
(52) **U.S. Cl.** **D16/131**
(58) **Field of Classification Search** D16/130,
D16/131, 136; 359/375, 376, 377, 368, 369,
359/389, 393, 390, 391, 392, 398, 557, 385;
353/119; 74/89.22; 248/694
See application file for complete search history.

(56) **References Cited**
U.S. PATENT DOCUMENTS
1,080,968 A * 12/1913 Hayes 359/393
3,652,146 A * 3/1972 George 359/392
3,765,745 A * 10/1973 Burboeck 359/393
D242,242 S * 11/1976 Hoogesteger D16/131
4,012,111 A * 3/1977 Masterson 359/391
4,299,440 A * 11/1981 Hodgson 359/393
4,557,568 A * 12/1985 Van Benschoten 359/393

4,711,537 A * 12/1987 Schindl et al. 359/393
5,786,936 A * 7/1998 Baumann et al. 359/557
5,991,005 A * 11/1999 Horikawa et al. 355/53
6,920,803 B2 * 7/2005 Hasegawa 74/89.22
6,943,942 B2 * 9/2005 Horiguchi et al. 359/381
7,180,662 B2 * 2/2007 Rondeau et al. 359/393
7,293,885 B2 * 11/2007 Kramer et al. 359/601
7,308,747 B2 * 12/2007 Smith et al. 29/434

* cited by examiner
Primary Examiner—Paula Greene
(74) *Attorney, Agent, or Firm*—Crowell & Moring LLP

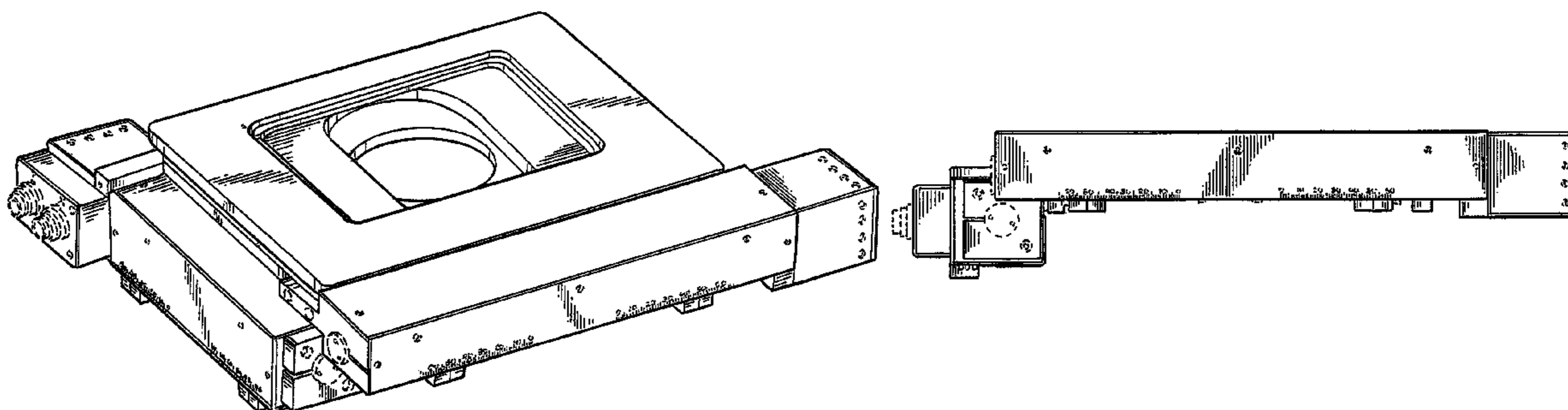
(57) **CLAIM**

The ornamental design for a microscope table, as shown and described.

DESCRIPTION

FIG. 1 is a left front perspective view of a microscope table showing my new design;
FIG. 2 is a top view thereof;
FIG. 3 is a front view thereof;
FIG. 4 is a rear view thereof;
FIG. 5 is a right side view thereof;
FIG. 6 is a left side view thereof; and,
FIG. 7 is a bottom view thereof.
The broken lines are for illustrative purposes only and form no part of the claimed design.

1 Claim, 4 Drawing Sheets



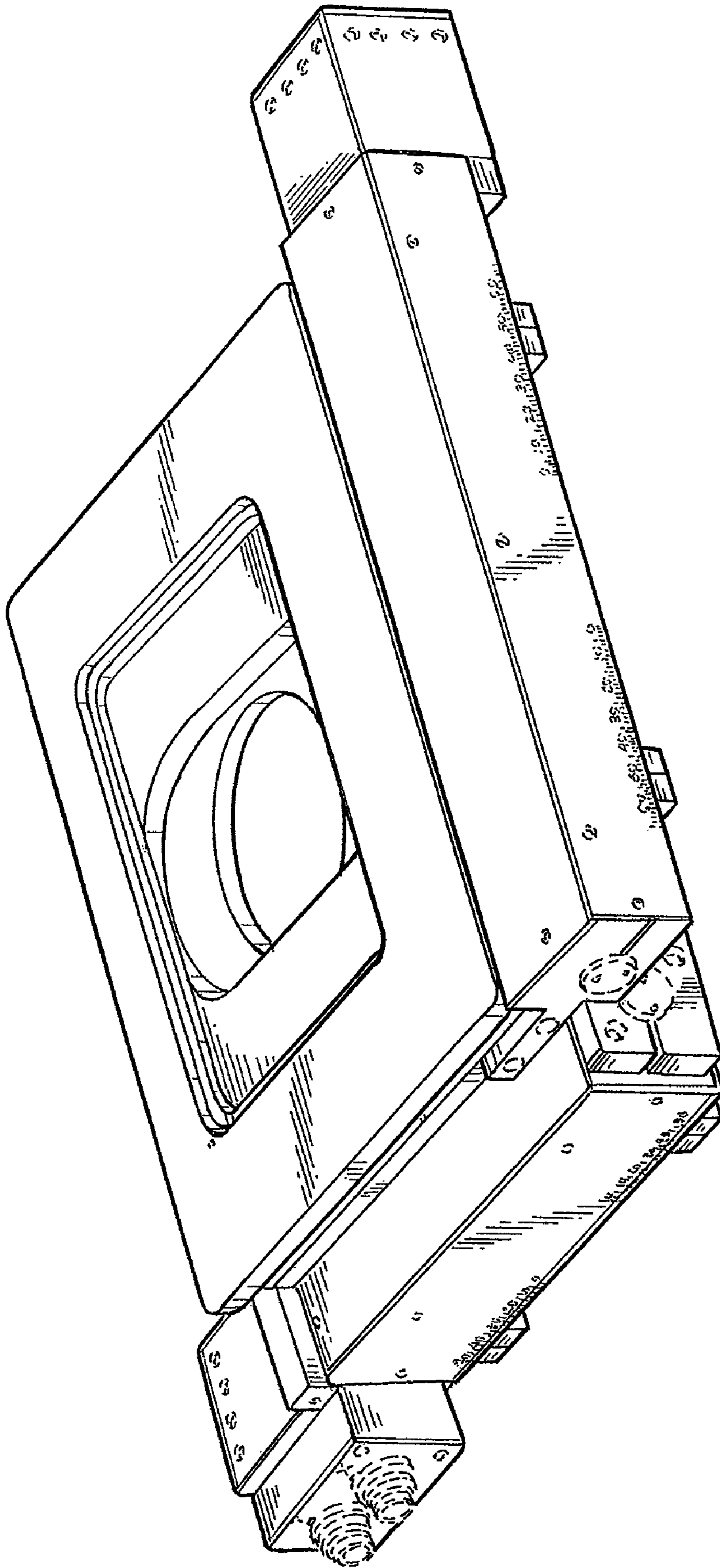


FIG. 1

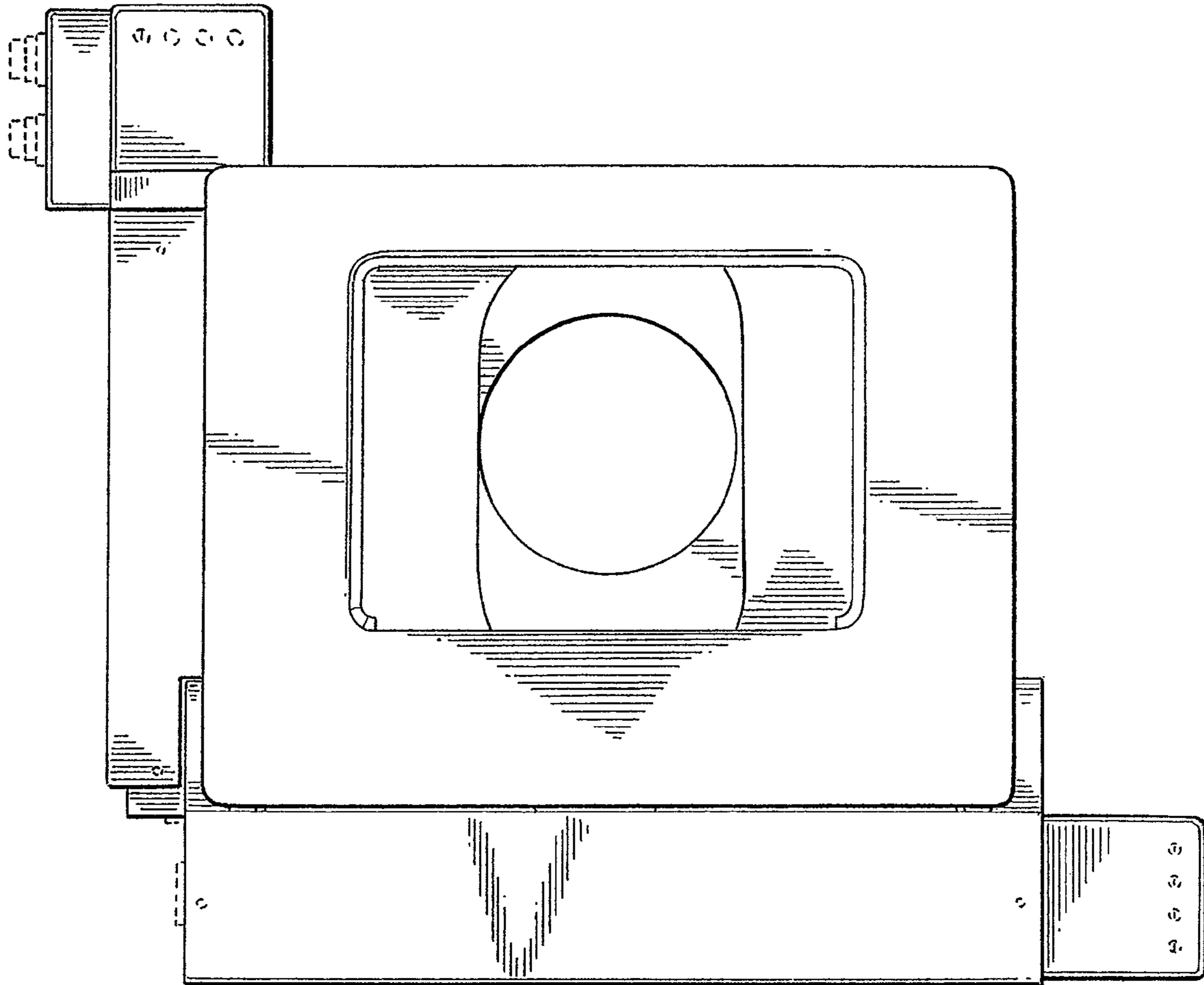


FIG. 2

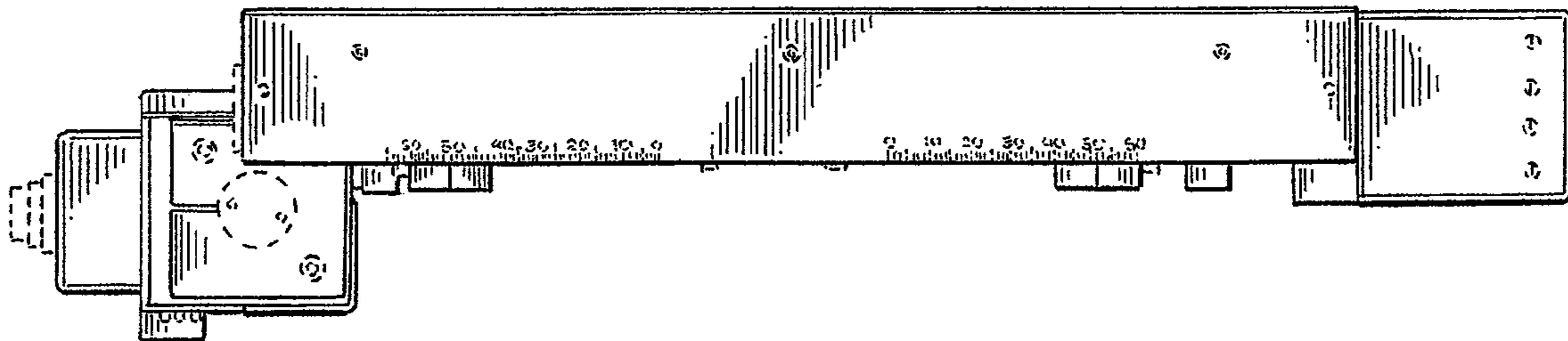


FIG. 3

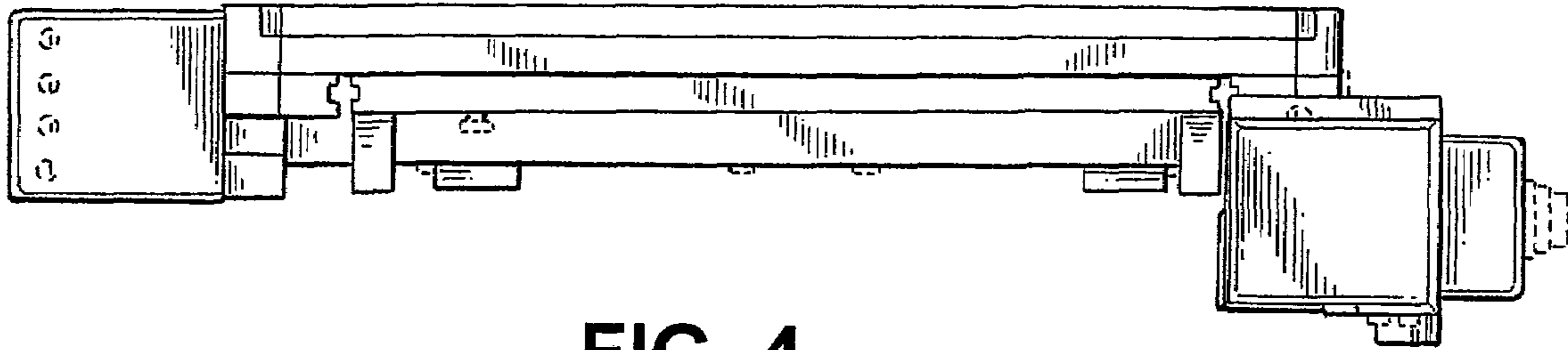


FIG. 4

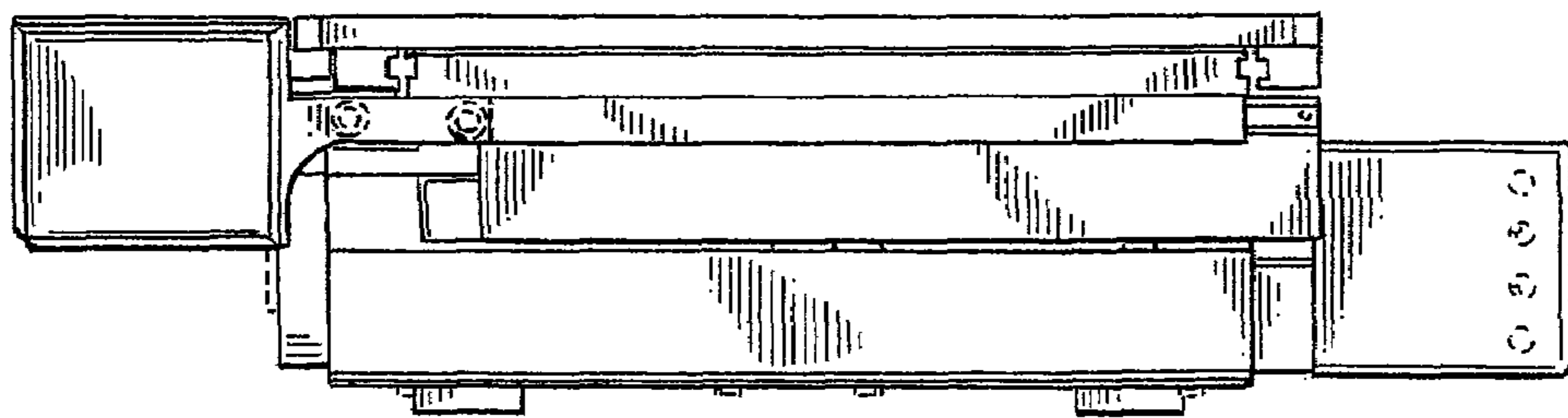


FIG. 5

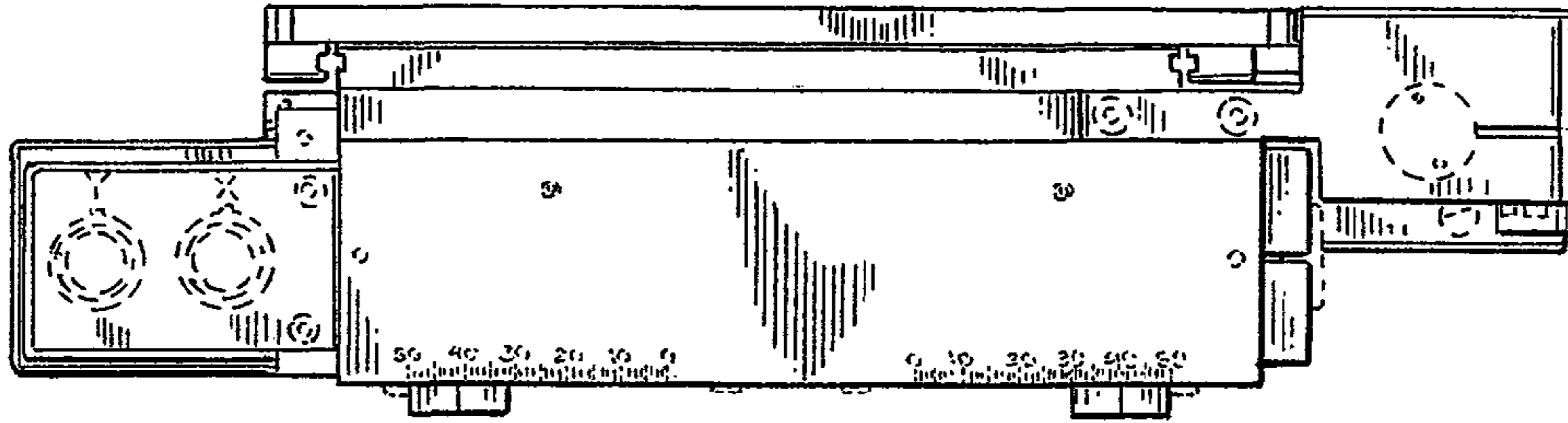


FIG. 6

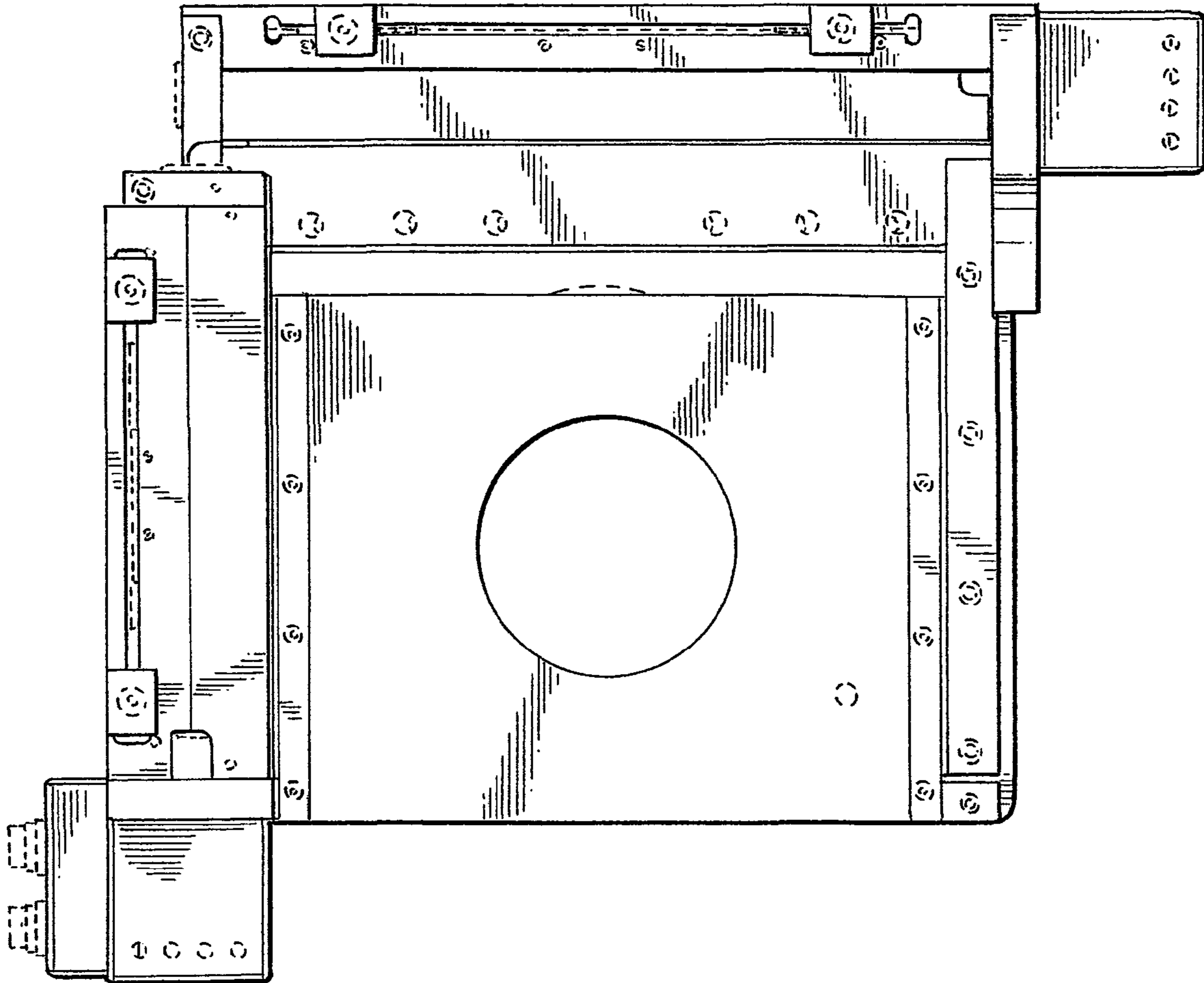


FIG. 7