



US00D596654S

(12) **United States Design Patent**
Kita

(10) **Patent No.:** **US D596,654 S**
(45) **Date of Patent:** **** Jul. 21, 2009**

(54) **CONTROLLER FOR ELECTRIC HEATING TOOL**

D530,349 S * 10/2006 Ishihara et al. D15/144.2
D569,884 S * 5/2008 Shu D15/144
D585,469 S * 1/2009 Mochizuki D15/144

(75) Inventor: **Toshiyuki Kita**, Osaka (JP)

* cited by examiner

(73) Assignee: **Hakko Corporation**, Osaka (JP)

Primary Examiner—Sandra Snapp

(**) Term: **14 Years**

Assistant Examiner—Patricia Palasik

(21) Appl. No.: **29/327,494**

(74) *Attorney, Agent, or Firm*—Squire Sanders & Dempsey LLP

(22) Filed: **Nov. 6, 2008**

(57) **CLAIM**

(30) **Foreign Application Priority Data**

The ornamental design for a controller for electric heating tool, as shown and described.

May 13, 2008 (JP) D2008-011805

DESCRIPTION

(51) **LOC (9) Cl.** **15-09**

FIG. 1 is a perspective view of a controller for electric heating tool;

(52) **U.S. Cl.** **D15/144**

FIG. 2 is a front view thereof;

(58) **Field of Classification Search** D8/29.1,
D8/30; D13/123, 133; D15/144, 144.1,
D15/144.2; 219/240, 616; 228/8, 20, 51,
228/111.5

FIG. 3 is a rear view thereof;

See application file for complete search history.

FIG. 4 is a left side view thereof;

FIG. 5 is a right side view thereof;

(56) **References Cited**

FIG. 6 is a top view thereof; and,

FIG. 7 is a bottom view thereof.

U.S. PATENT DOCUMENTS

D489,741 S * 5/2004 Calco et al. D15/144
D493,342 S 7/2004 Masaki
D500,063 S * 12/2004 Jeter et al. D15/144
D527,402 S * 8/2006 Loch et al. D15/144.2

The broken lines in the drawings depict unclaimed environmental subject matter.

1 Claim, 4 Drawing Sheets

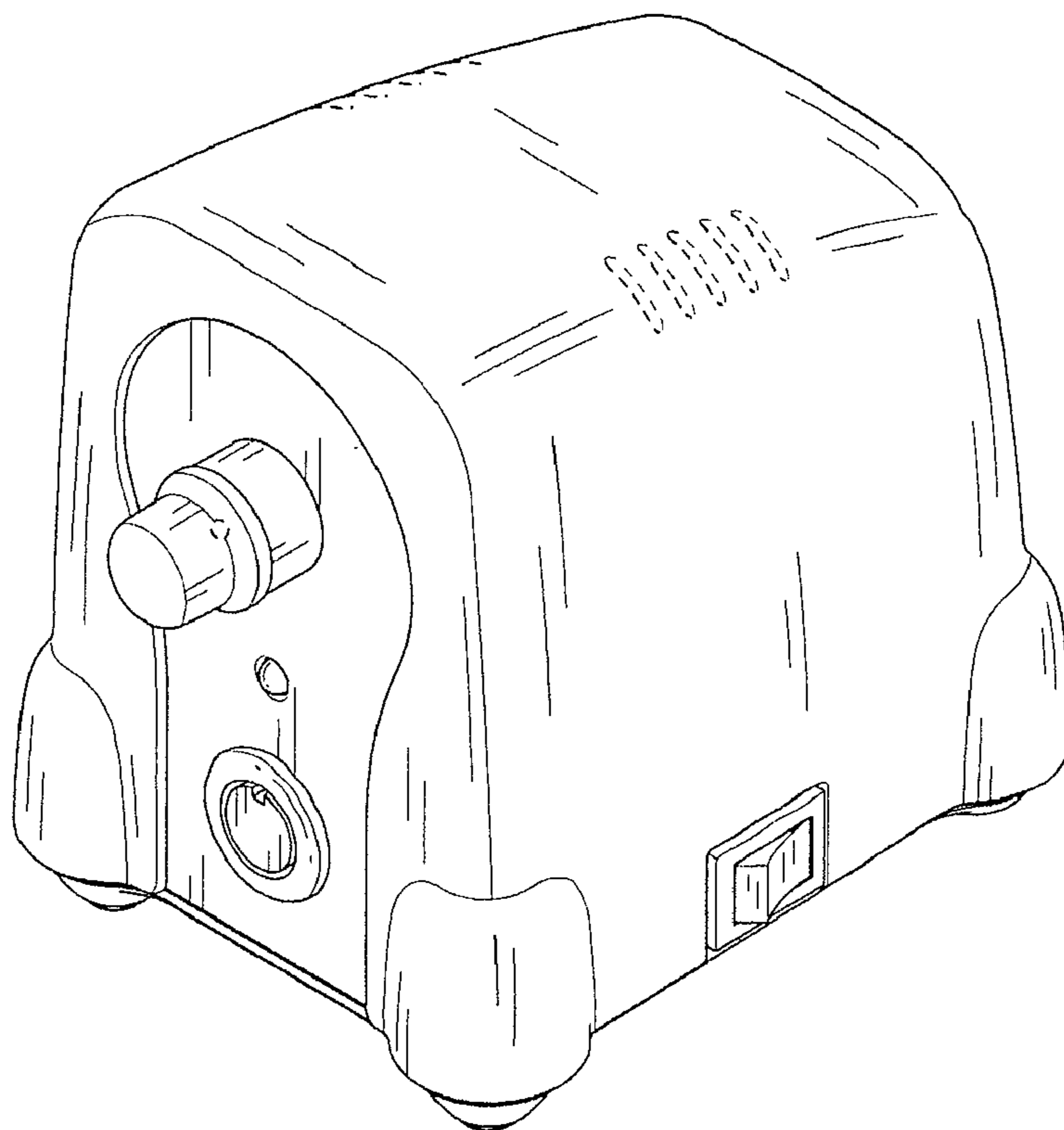


Fig. 1

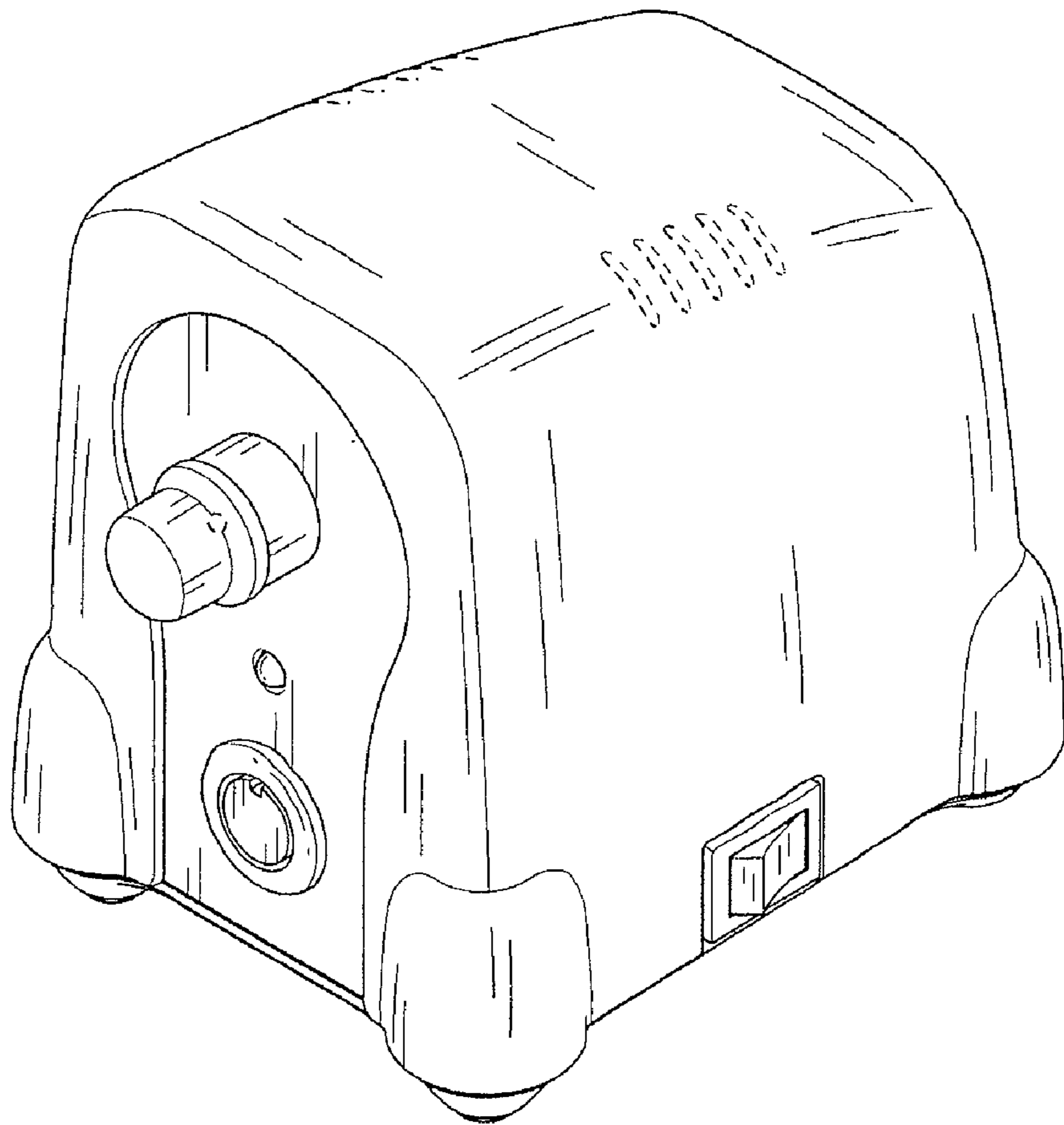


Fig.2

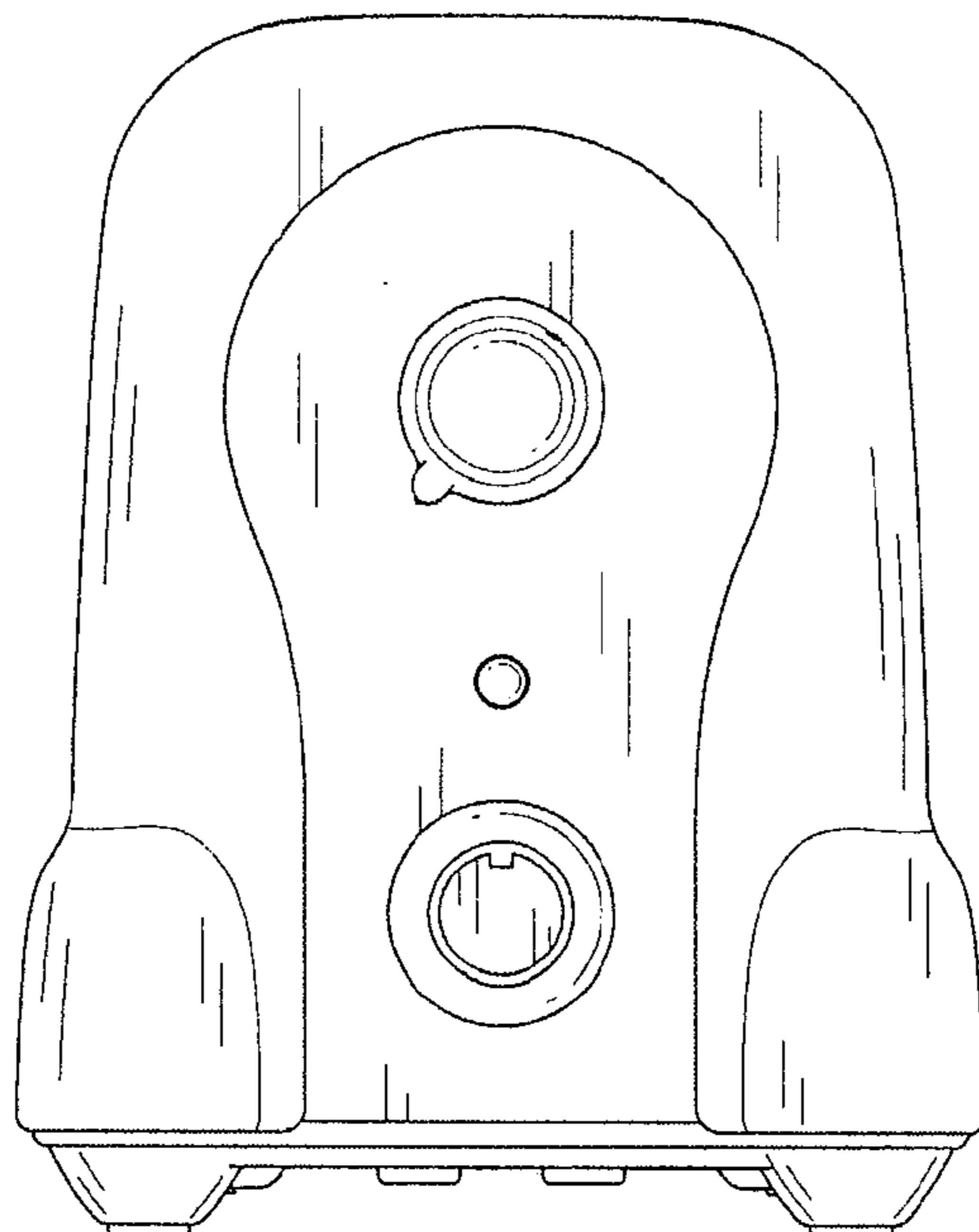


Fig.3

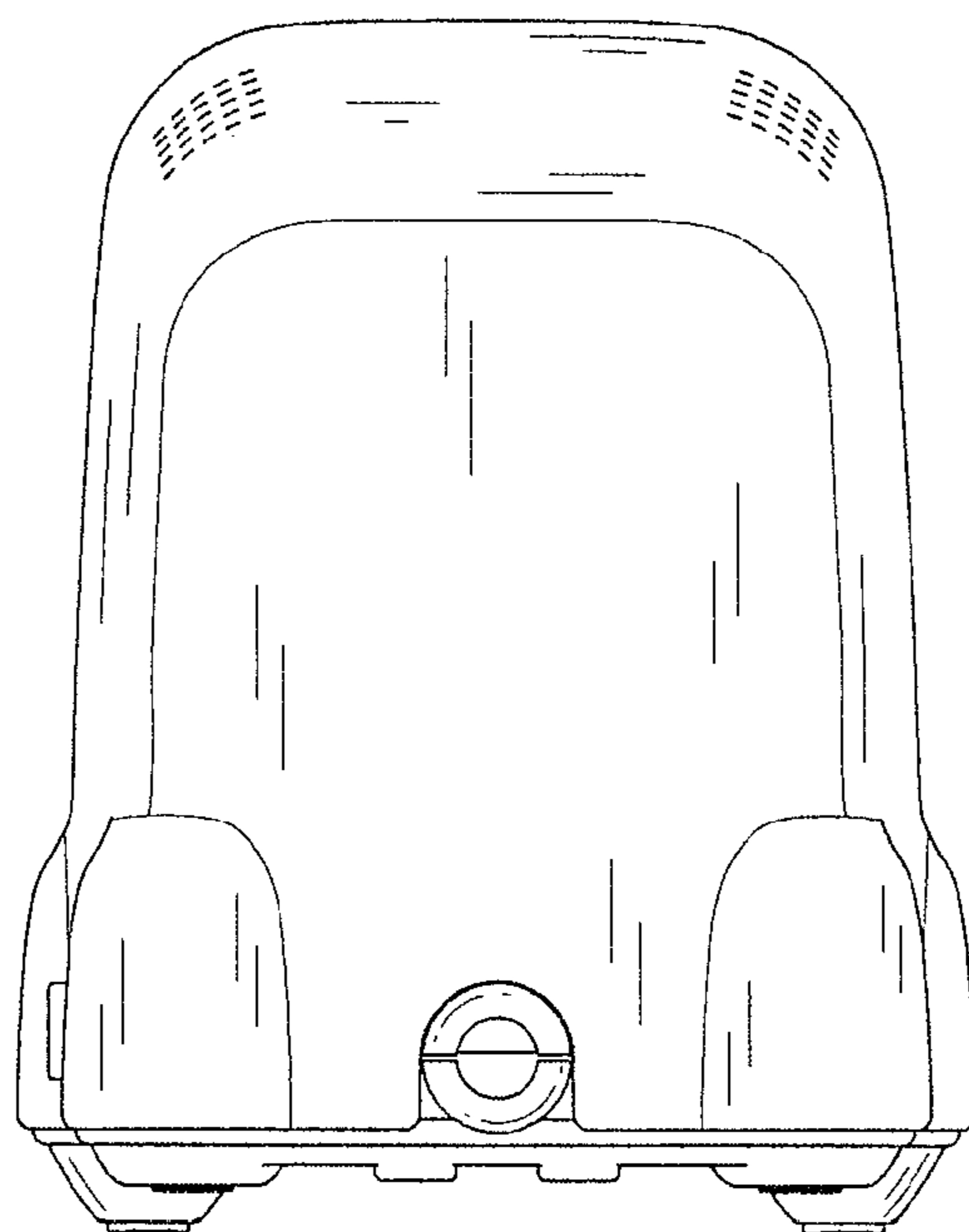


Fig.4

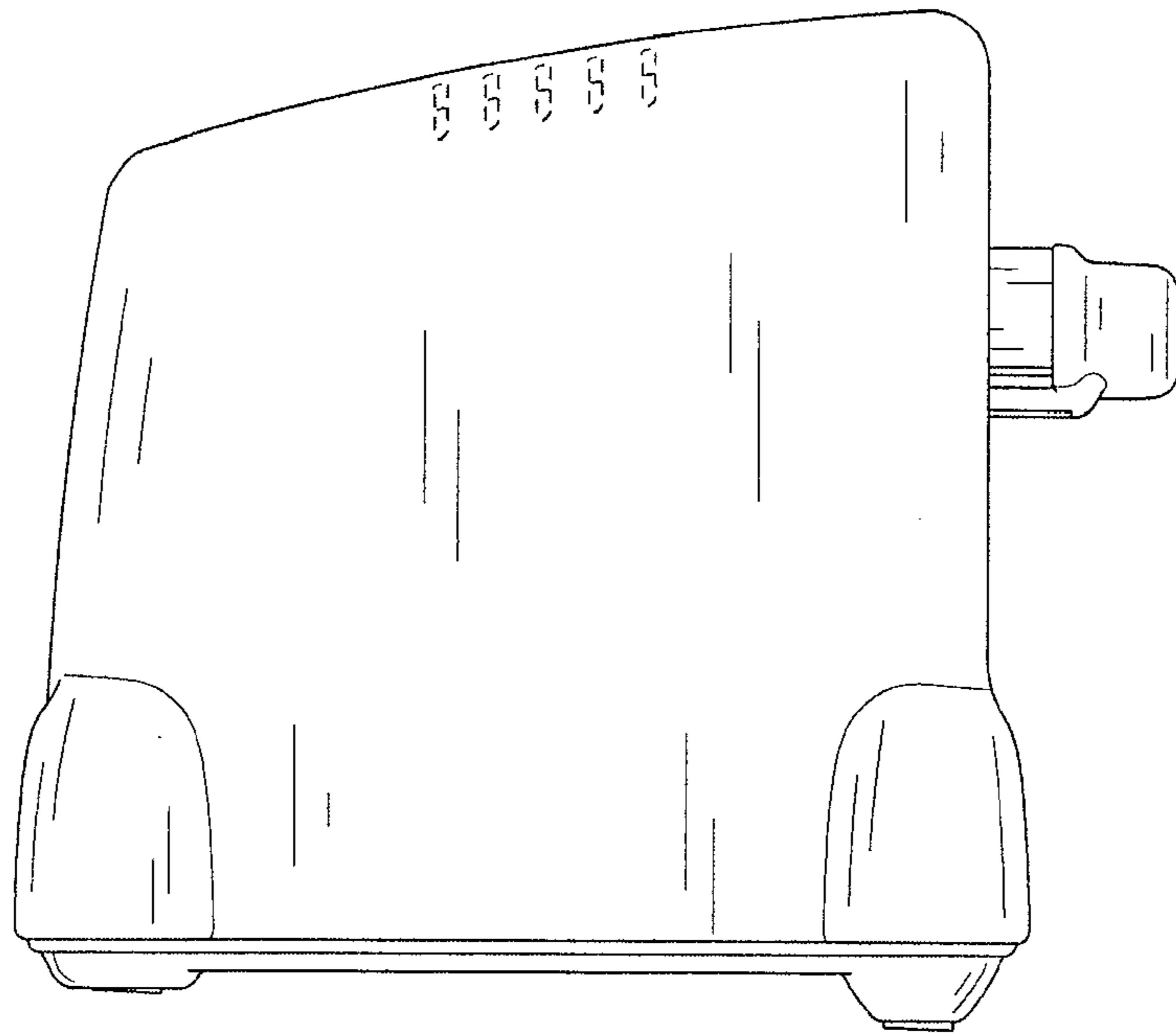


Fig.5

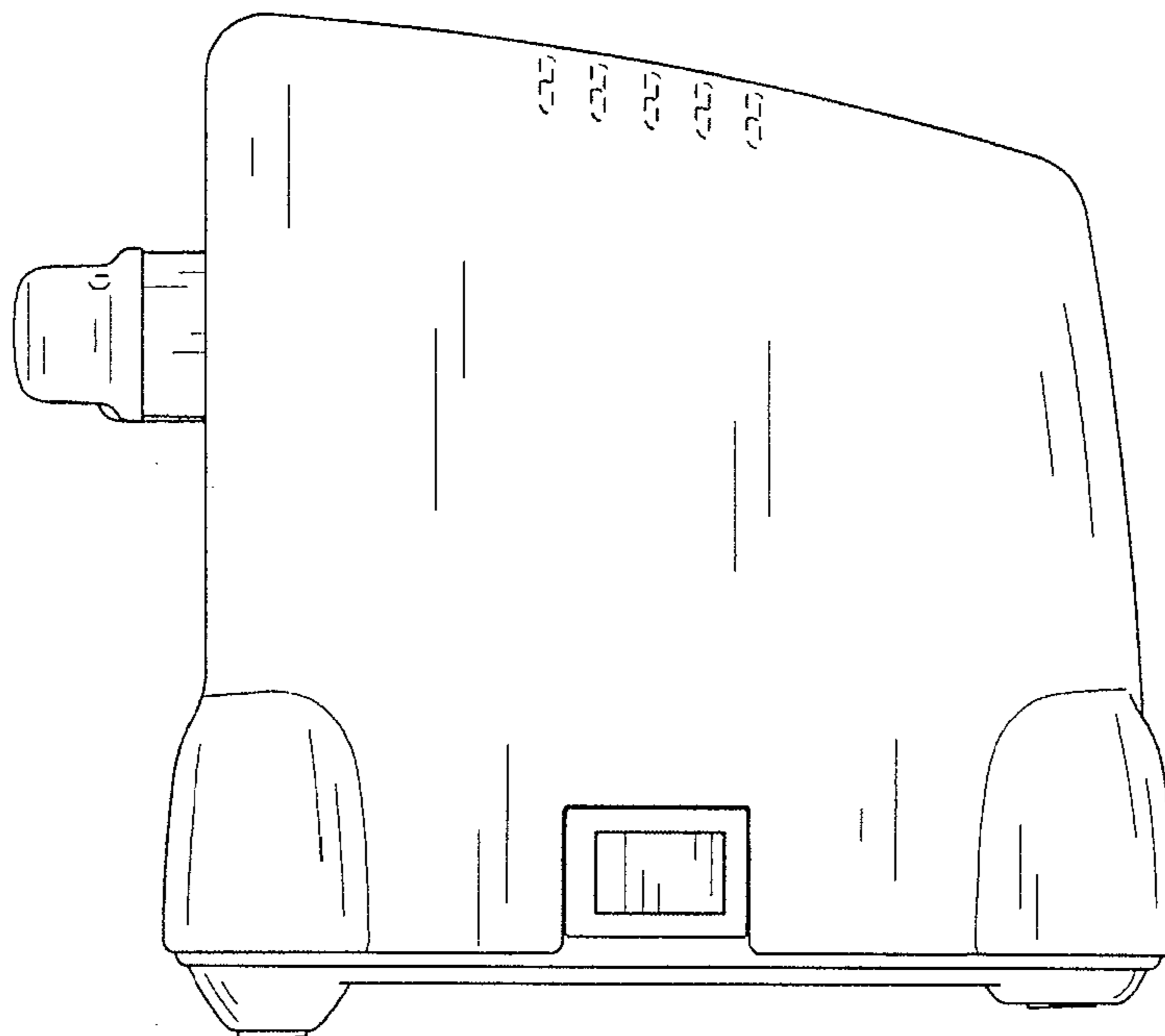


Fig.6

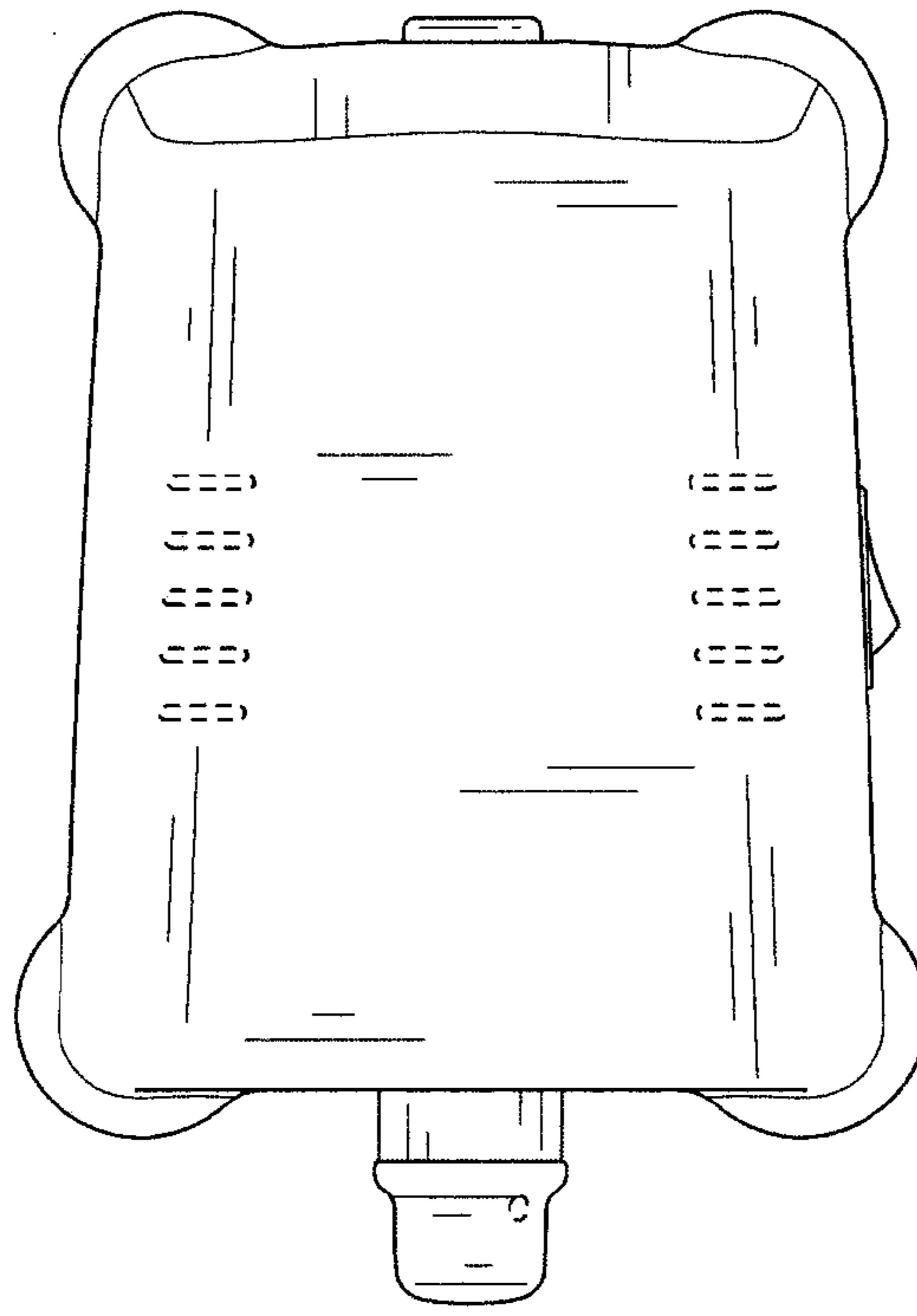


Fig.7

