

US00D596651S

(12) **United States Design Patent**
Li et al.

(10) **Patent No.:** **US D596,651 S**
(45) **Date of Patent:** **** Jul. 21, 2009**

(54) **DOUBLE LAYER GLASS DOOR FREEZER**

(75) Inventors: **Biao Li**, Qingdao (CN); **Hao Gong**, Qingdao (CN); **Jingchun Wang**, Qingdao (CN); **Yingzhi Liu**, Qingdao (CN); **Wei Bian**, Qingdao (CN); **Juan Zhang**, Qingdao (CN); **Jili Wang**, Qingdao (CN)

(73) Assignees: **Haier Group Corporation**, Qingdao (CN); **Qingdao Haier Special Icebox Co., Ltd.**, Qingdao (CN)

(**) Term: **14 Years**

(21) Appl. No.: **29/309,351**

(22) Filed: **Jul. 29, 2008**

(51) **LOC (9) Cl.** **15-07**

(52) **U.S. Cl.** **D15/84; D15/79; D15/83**

(58) **Field of Classification Search** D15/79, D15/81, 83, 84; 220/349; 62/3.1, 3.6, 3.63, 62/3.64, 45.1, 293, 331, 371, 440, 467, 529, 62/531; 312/236, 352, 400-409; D6/396, D6/449, 470, 472

See application file for complete search history.

(56) **References Cited**

U.S. PATENT DOCUMENTS

2,276,635 A * 3/1942 Weber 220/349
D439,913 S * 4/2001 Jobst D15/84
D477,617 S * 7/2003 Resch D15/83

D483,045 S * 12/2003 Resch D15/83
D524,330 S * 7/2006 Pedersen et al. D15/81
D530,346 S * 10/2006 Resch D15/83
D541,827 S * 5/2007 Resch D15/83
D585,465 S * 1/2009 Rousselin D15/83

* cited by examiner

Primary Examiner—Stella M Reid

Assistant Examiner—Shanda C Hill

(74) *Attorney, Agent, or Firm*—Jacobson Holman PLLC

(57) **CLAIM**

We claim the ornamental design for the double layer glass door freezer, as shown and described.

DESCRIPTION

FIG. 1 is a perspective view of the double layer glass door freezer;

FIG. 2 is a front elevational view of the double layer glass door freezer;

FIG. 3 is a rear elevational view of the double layer glass door freezer;

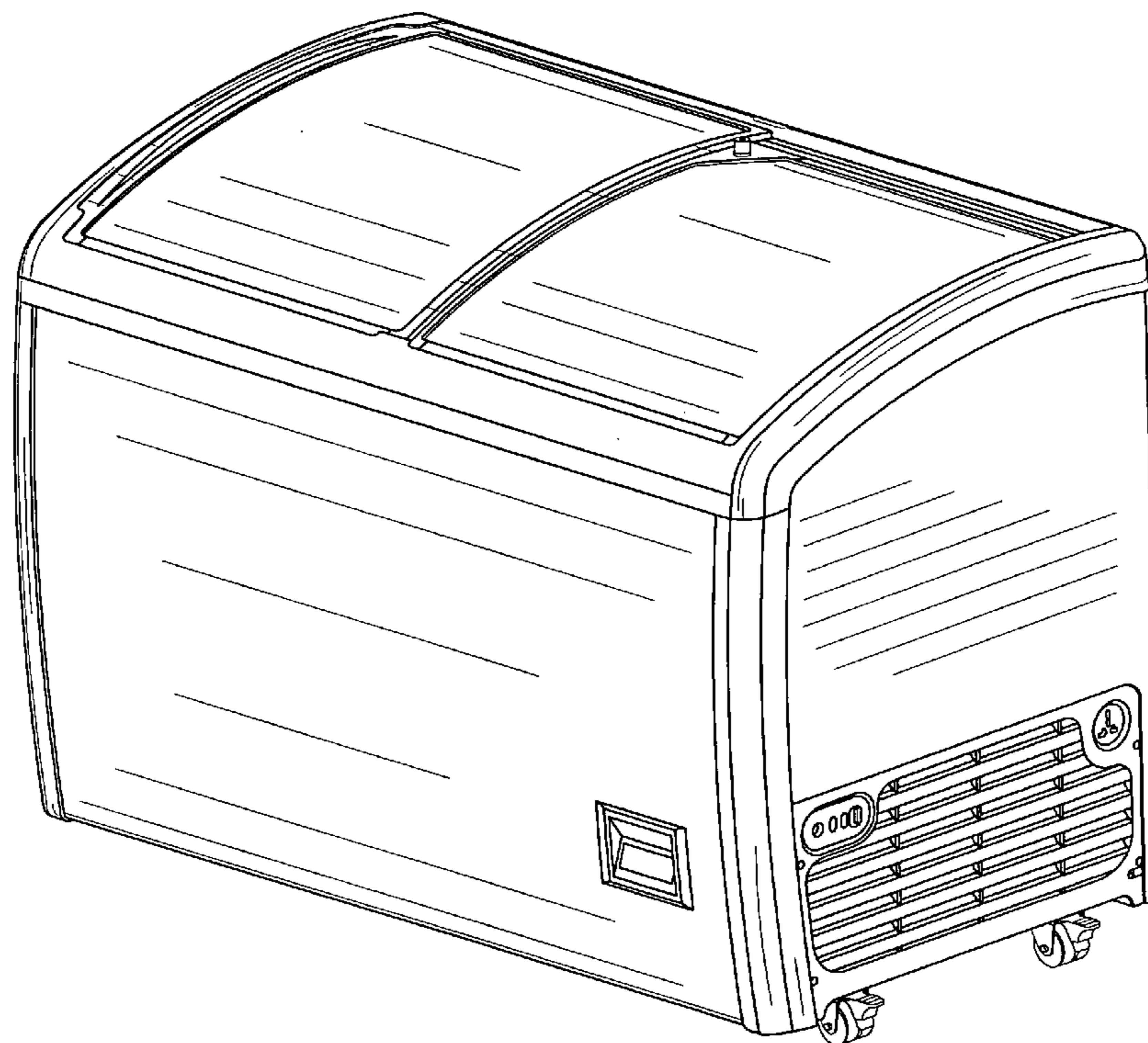
FIG. 4 is a top plan view of the double layer glass door freezer;

FIG. 5 is a bottom plan view of the double layer glass door freezer;

FIG. 6 is a left side elevational view of the double layer glass door freezer; and,

FIG. 7 is a right side elevational view of the double layer glass door freezer.

1 Claim, 7 Drawing Sheets



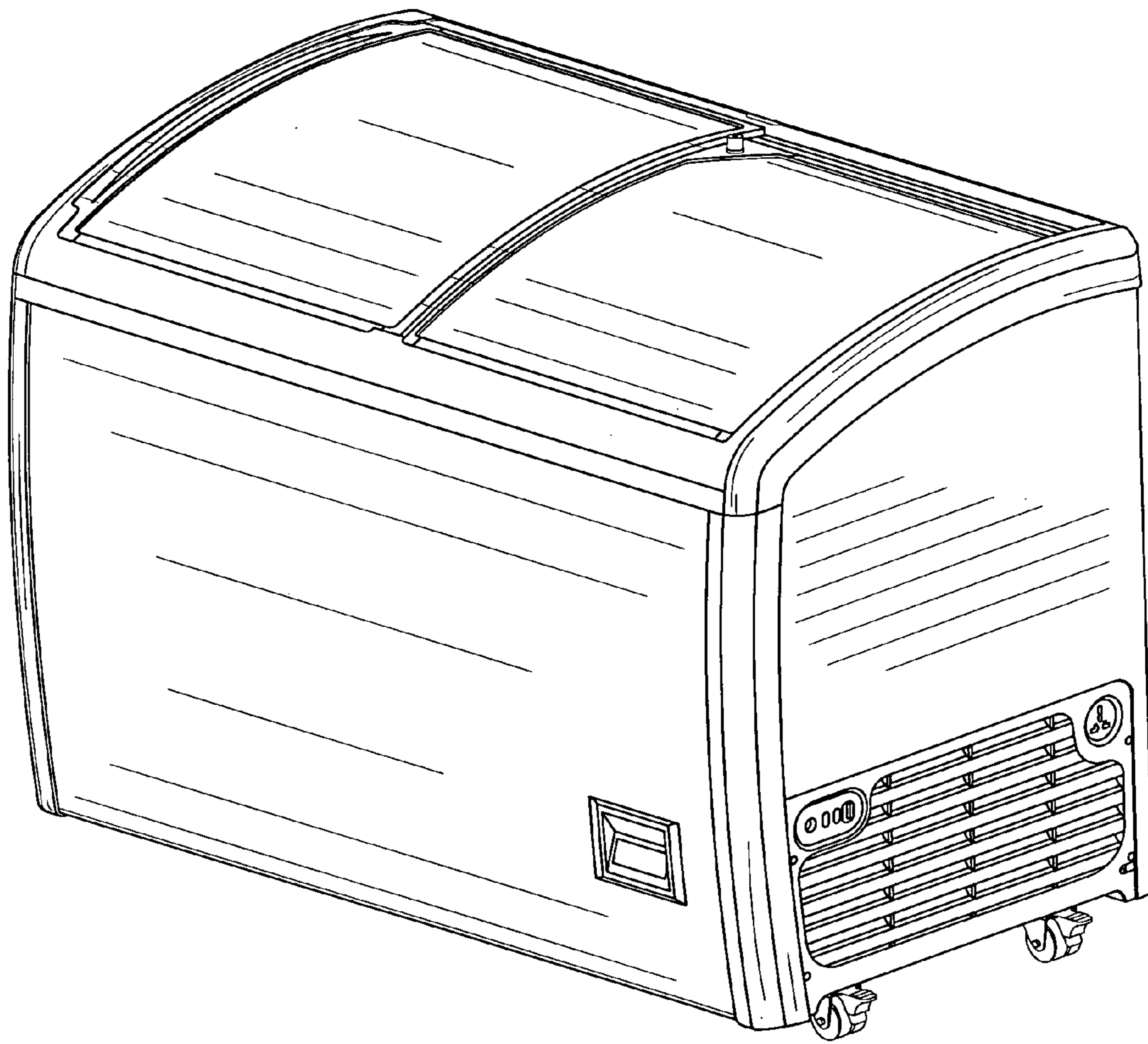


FIG. 1

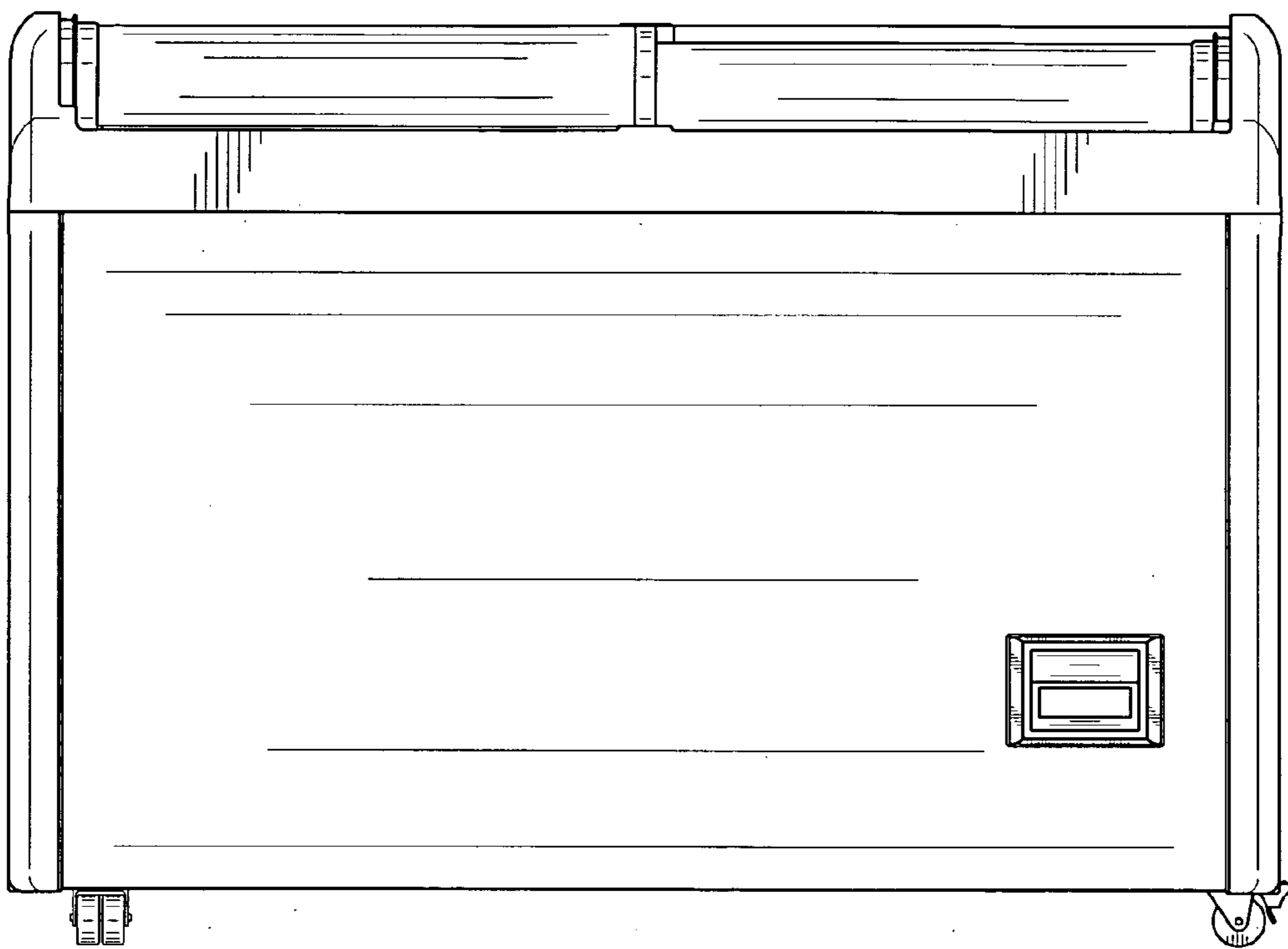


FIG. 2

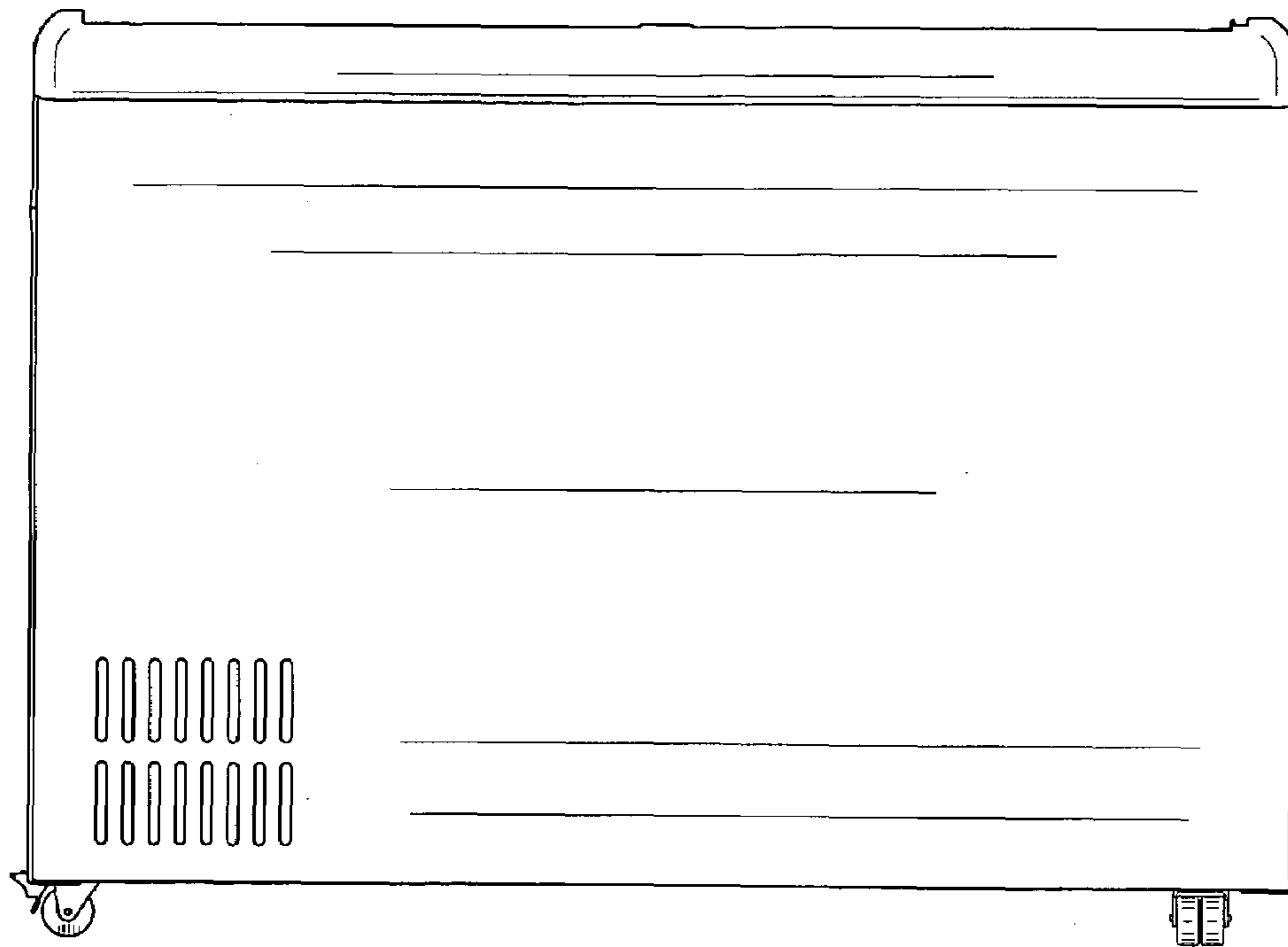


FIG. 3

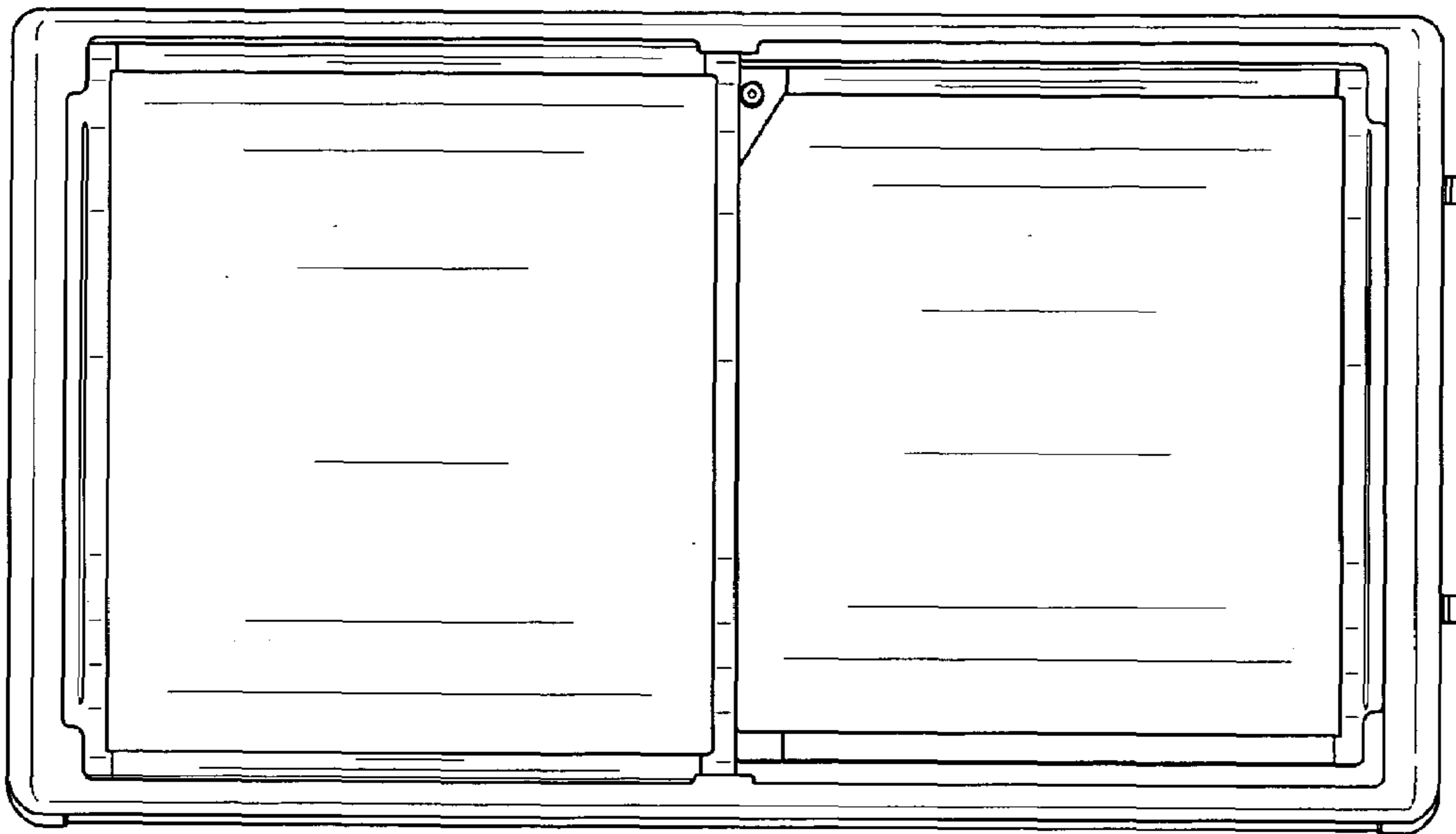


FIG. 4

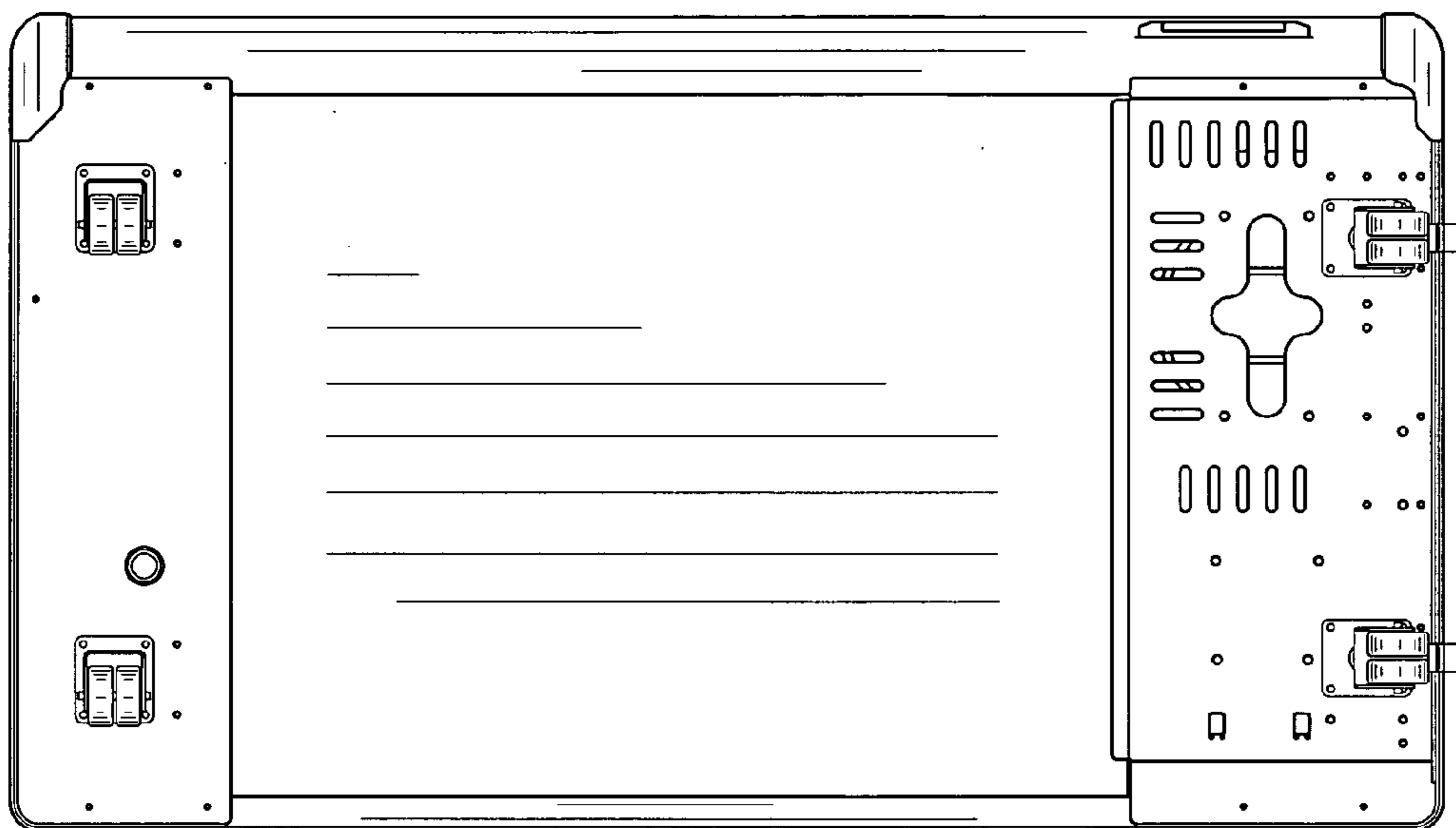


FIG. 5

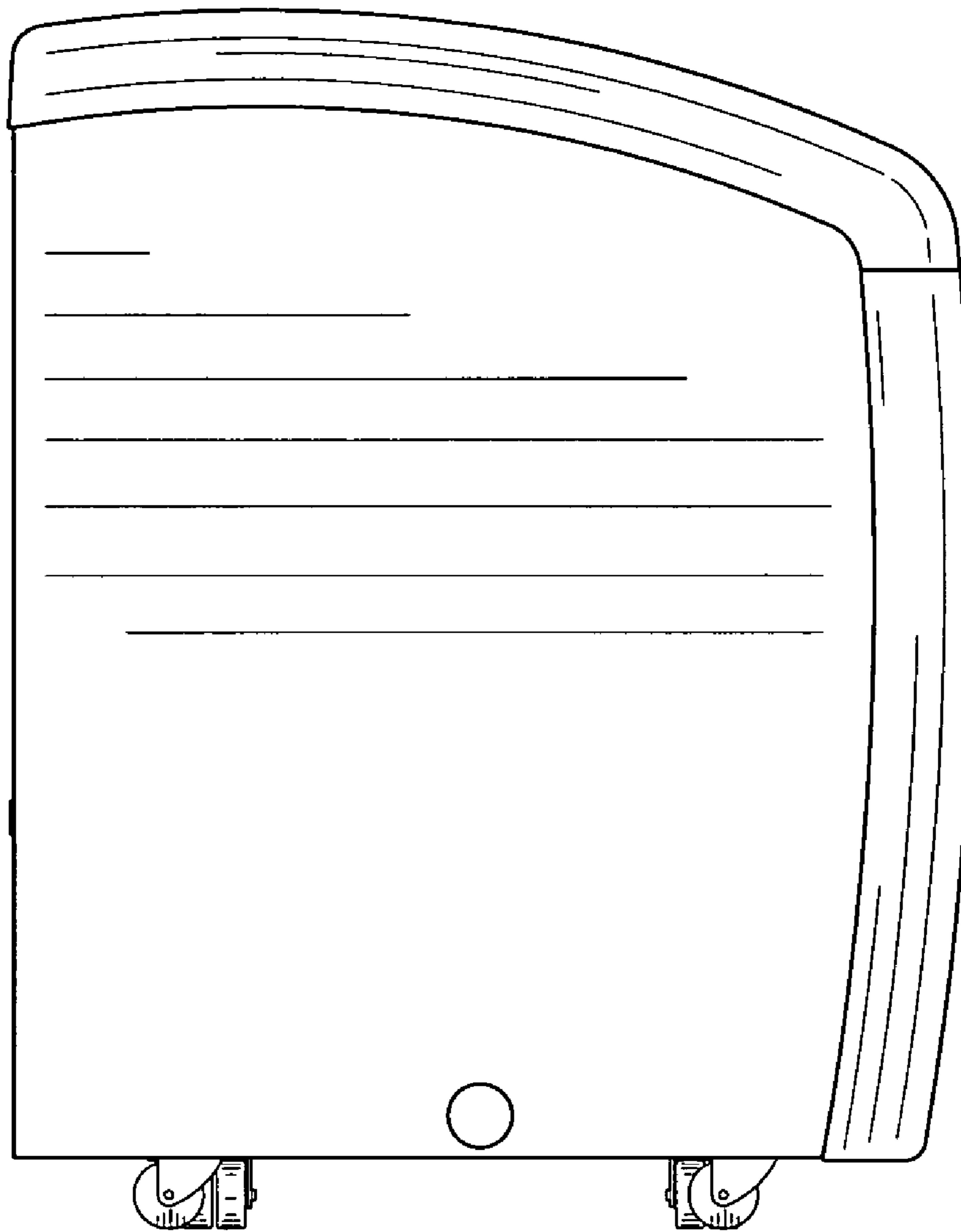


FIG. 6

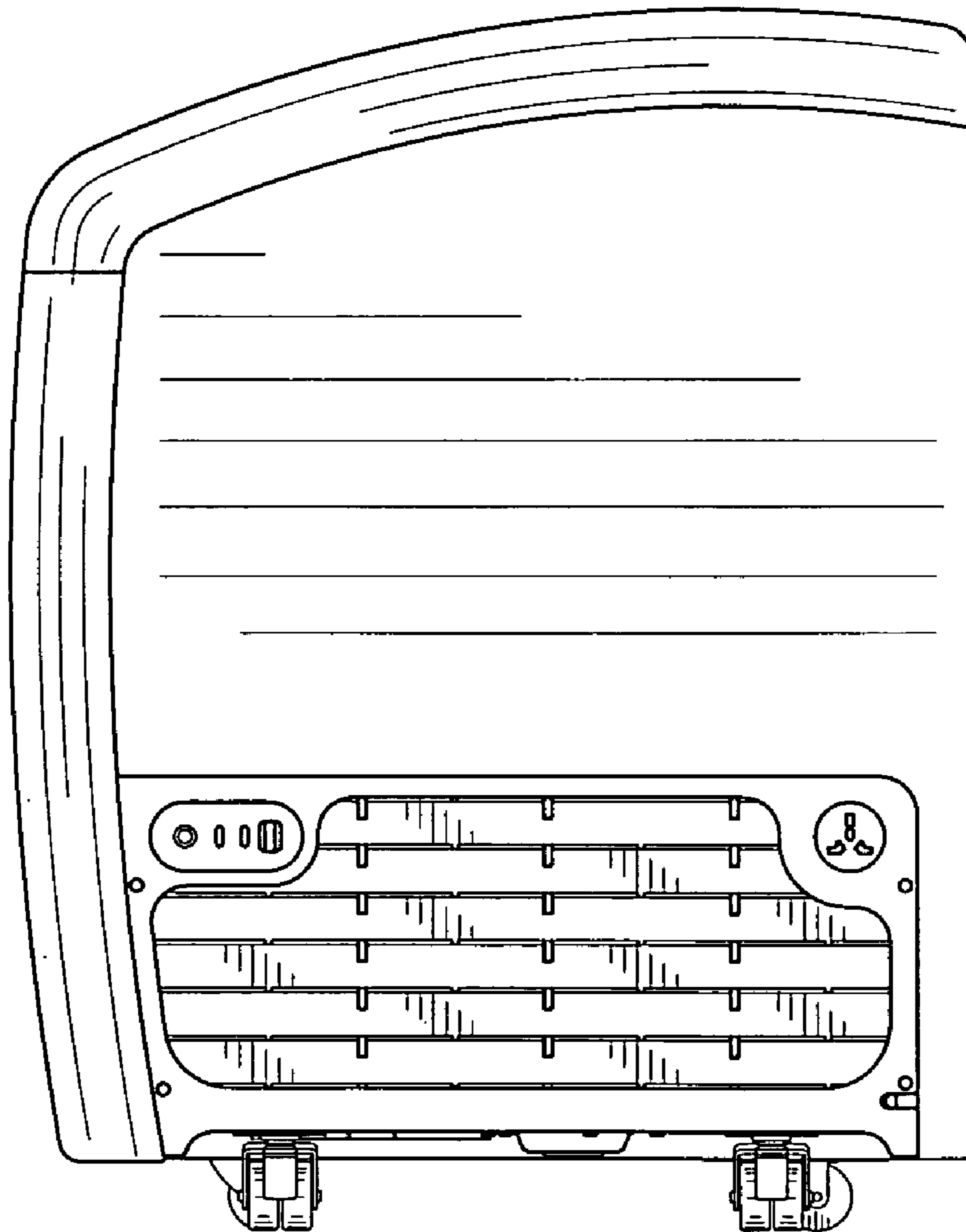


FIG. 7