

US00D596650S

(12) **United States Design Patent**
McClave et al.

(10) **Patent No.:** **US D596,650 S**
(45) **Date of Patent:** **** Jul. 21, 2009**

(54) **ENGINE CRANKCASE CLOSURE-ADAPTER DEVICE**

2002/0046743 A1* 4/2002 Moren 123/572
FOREIGN PATENT DOCUMENTS

(75) Inventors: **Peter J. McClave**, Elkhart Lake, WI (US); **Laura K. Mueller**, Fond du Lac, WI (US)

EP 1536154 A2 6/2005
FR 2839750 A1 11/2003
FR 2877702 A1 5/2006
GB 191327545 A 3/1914
GB 2384160 A 7/2003
WO 9964728 A1 12/1999

(73) Assignee: **Kohler Co.**, Kohler, WI (US)

* cited by examiner

(**) Term: **14 Years**

Primary Examiner—Lisa P Lichtenstein

(21) Appl. No.: **29/322,728**

(74) *Attorney, Agent, or Firm*—Whyte Hirschboeck Dudek SC

(22) Filed: **Aug. 11, 2008**

(51) **LOC (9) Cl.** **15-01**

(57) **CLAIM**

(52) **U.S. Cl.** **D15/5**

The ornamental design for an engine crankcase closure-adapter device, as shown and described.

(58) **Field of Classification Search** D15/1-5;
123/572; 184/612; 464/16

See application file for complete search history.

DESCRIPTION

(56) **References Cited**

FIG. 1 is a perspective view of an exemplary embodiment of an engine crankcase closure-adapter enclosure device;

U.S. PATENT DOCUMENTS

FIG. 2 is a front view thereof;

3,301,349 A	1/1967	Williams	
3,621,937 A	11/1971	Edge et al.	
3,635,048 A	1/1972	Monti	
4,771,864 A	9/1988	Lorimor et al.	
5,052,518 A	10/1991	Trommer	
5,119,905 A	6/1992	Murray	
5,687,612 A	11/1997	Imamura	
6,183,230 B1	2/2001	Beardmore	
6,192,853 B1	2/2001	Natsume	
6,196,207 B1 *	3/2001	Megas	123/572
6,736,023 B1	5/2004	Sumi et al.	
7,204,241 B2 *	4/2007	Thompson et al.	123/572

FIG. 3 is a left side view thereof;

FIG. 4 is a right side view thereof;

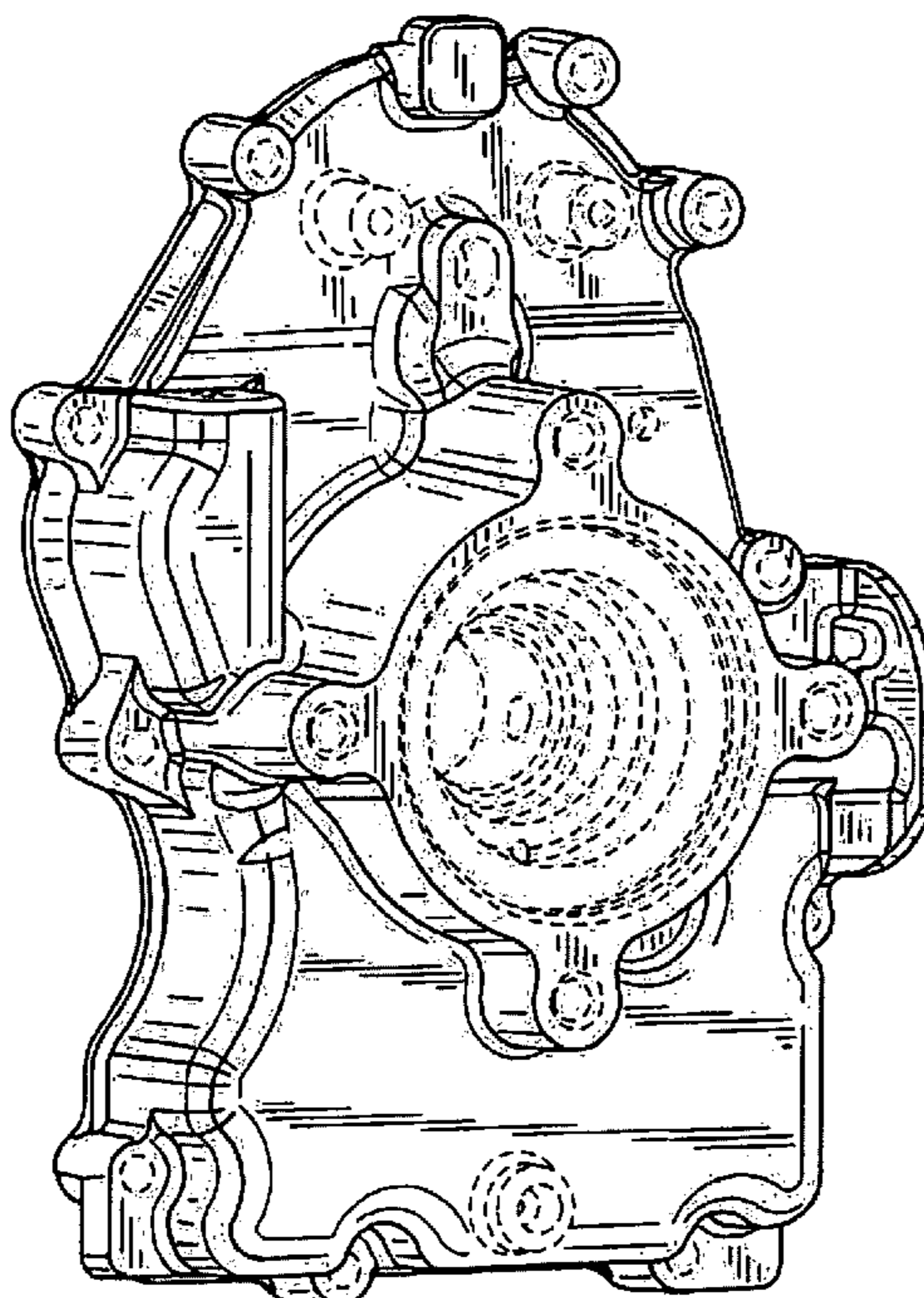
FIG. 5 is a top view thereof;

FIG. 6 is a bottom view thereof; and,

FIG. 7 is a back view thereof.

The broken line showing of portions of an engine crankcase closure-adapter device is included for the purpose of illustrating environmental structure and forms no part of the claimed design.

1 Claim, 5 Drawing Sheets



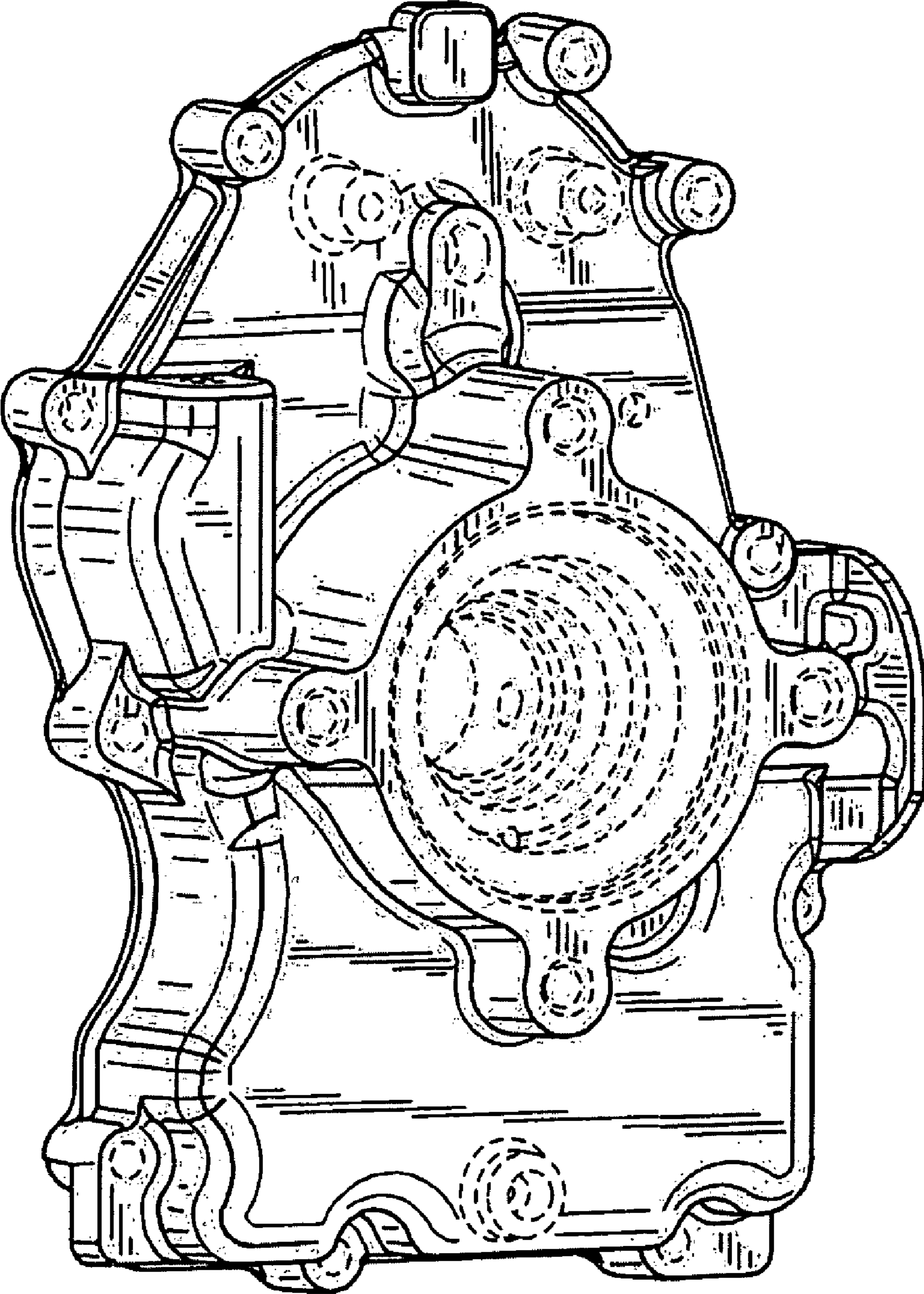


FIG. 1

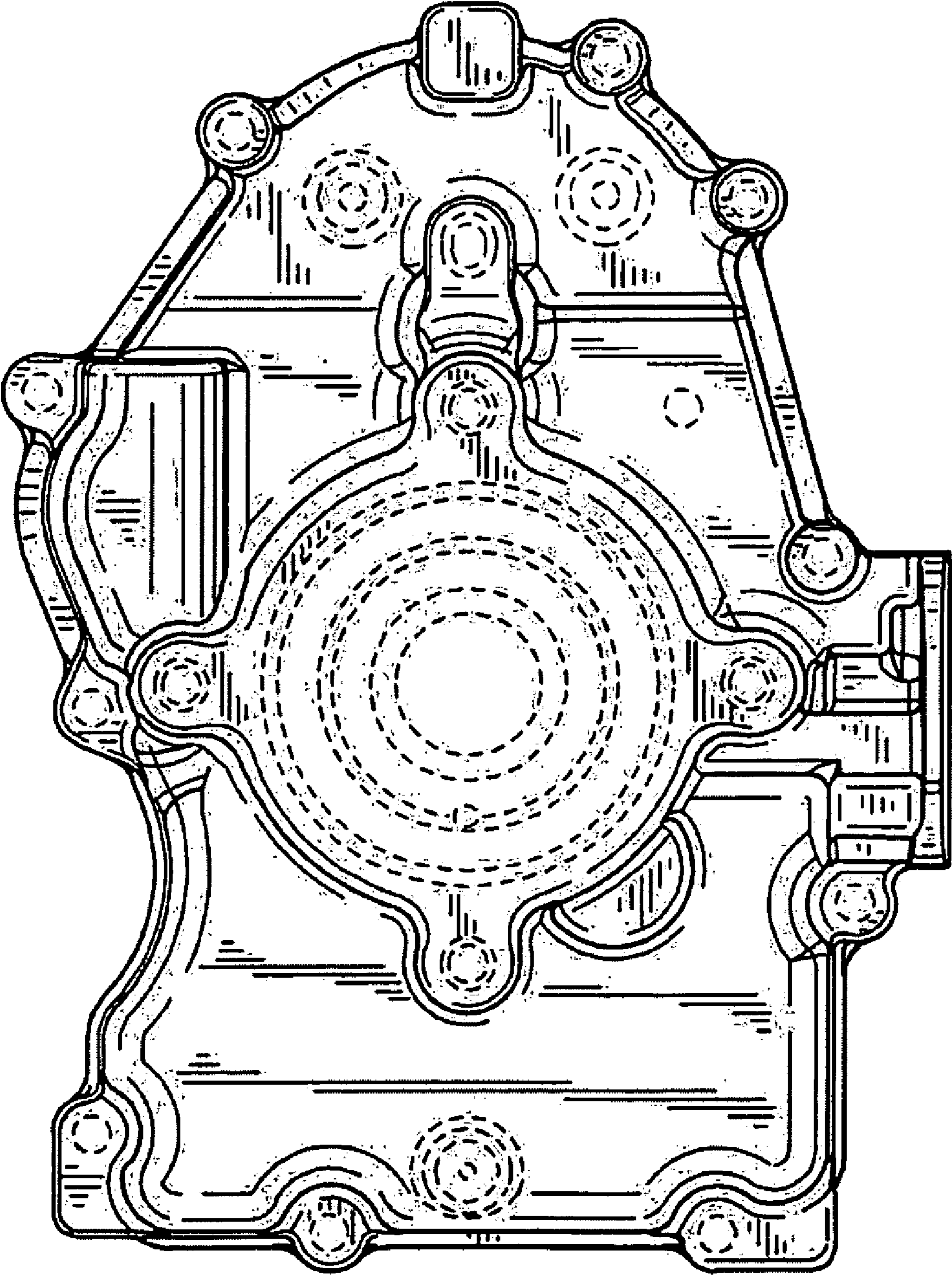


FIG. 2

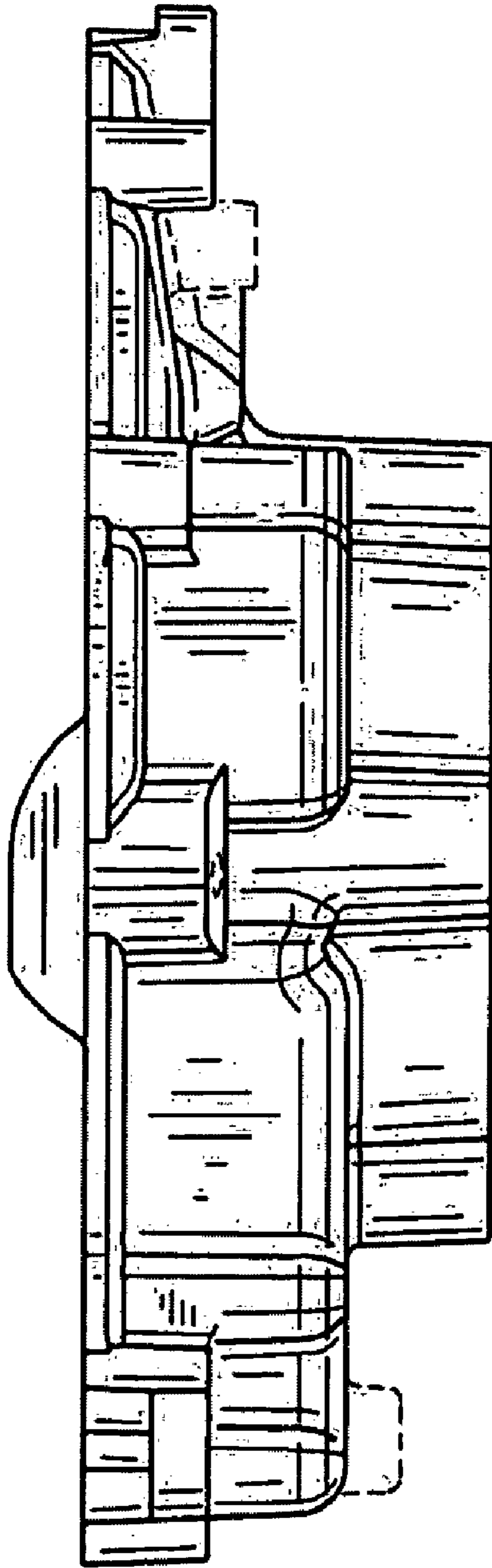


FIG. 3

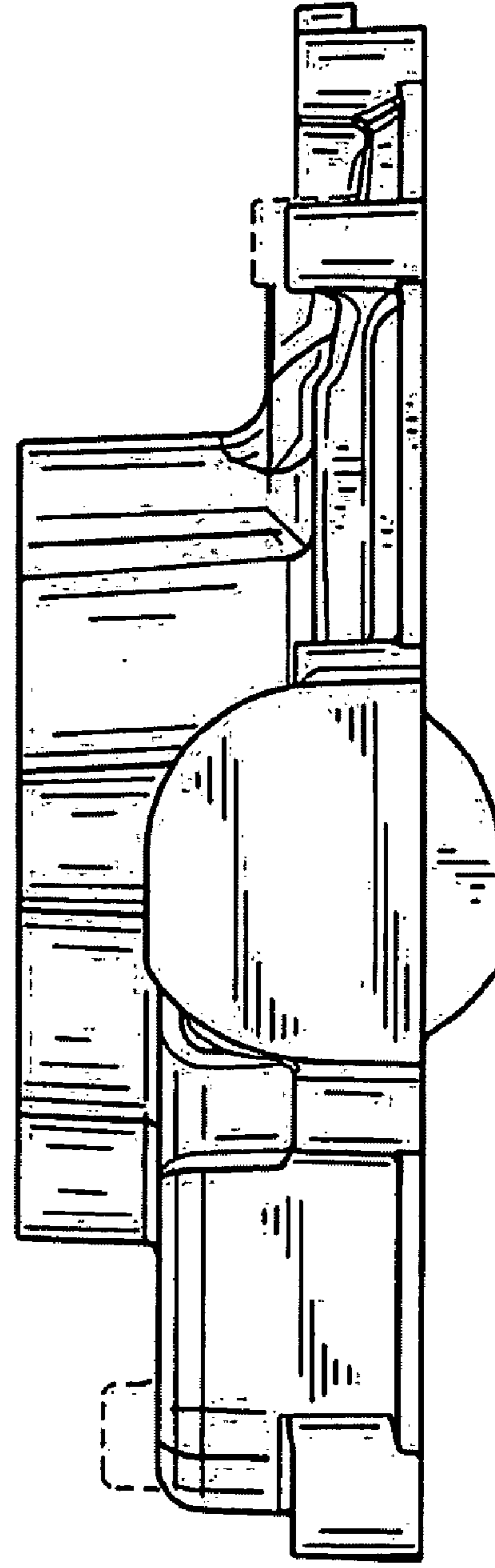


FIG. 4

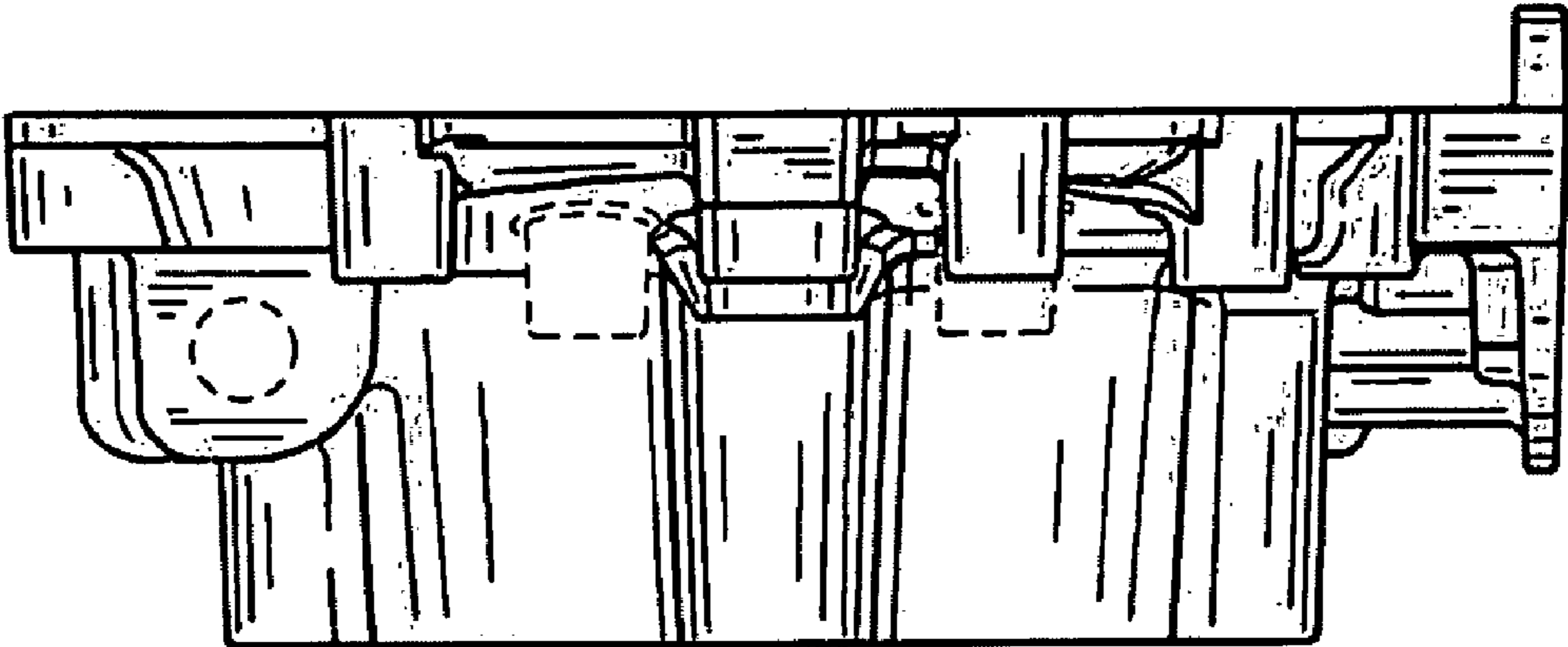


FIG. 5

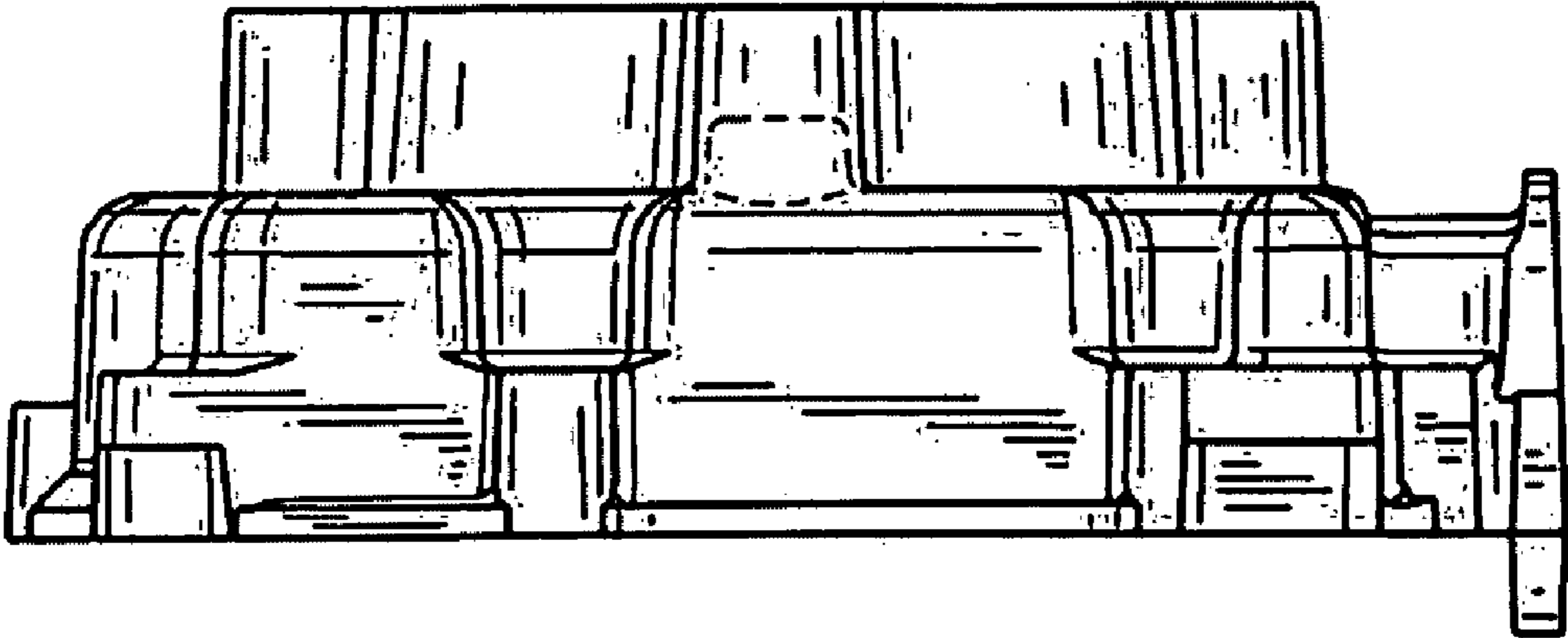


FIG. 6

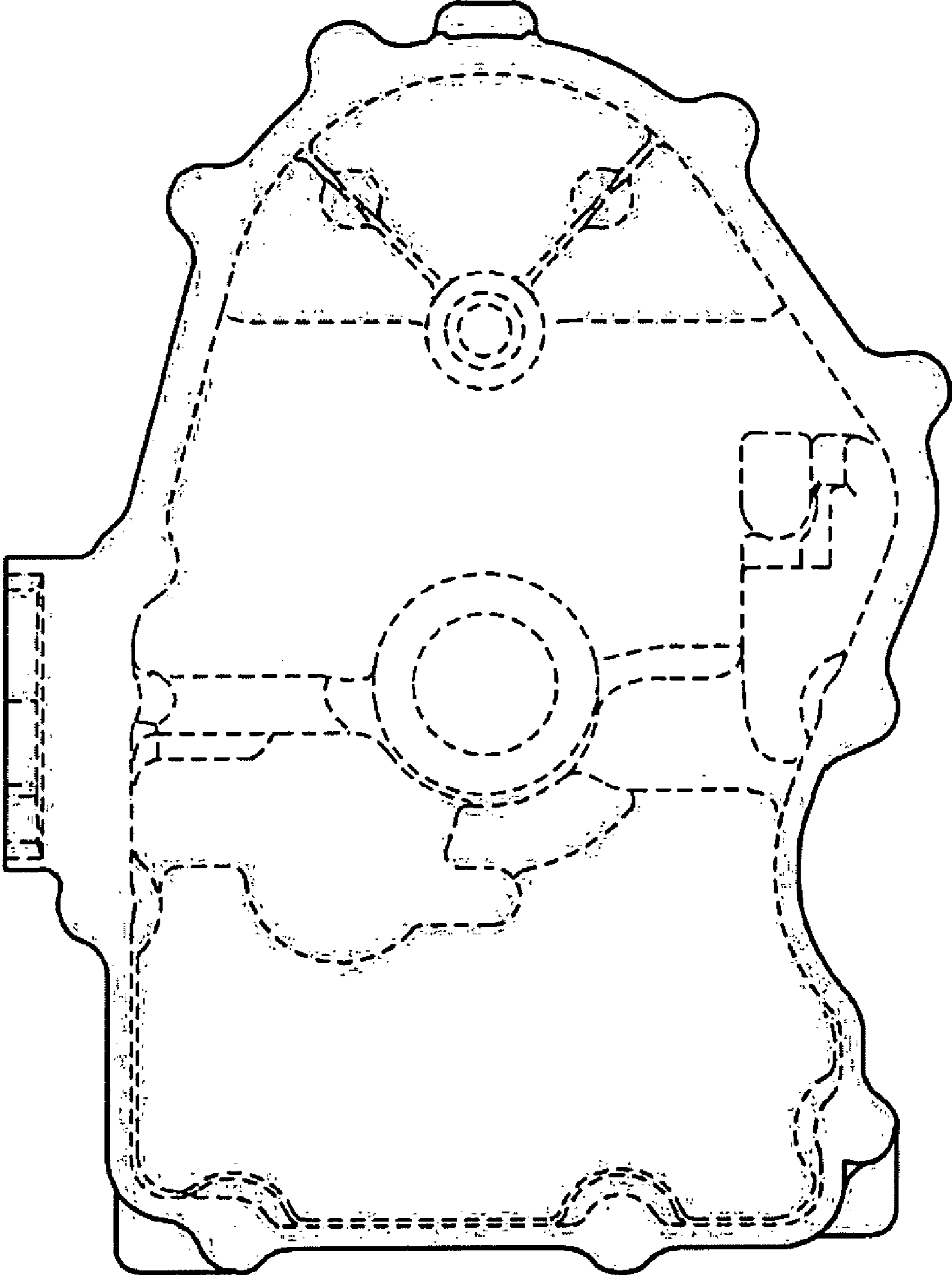


FIG. 7