



US00D596649S

(12) **United States Design Patent**  
**Yan et al.**

(10) **Patent No.:** **US D596,649 S**  
(45) **Date of Patent:** **\*\* Jul. 21, 2009**

(54) **ENGINE MUFFLER**

D537,396 S \* 2/2007 Drew et al. .... D12/194  
D570,879 S \* 6/2008 Glass et al. .... D15/5

(75) Inventors: **Miao Yan**, Jiangsu (CN); **Bian Ming**,  
Jiansu (CN); **Hu Jianguo**, Jiangsu (CN);  
**Cheng Lei**, Jiangsu (CN)

\* cited by examiner

*Primary Examiner*—Lisa P Lichtenstein

(74) *Attorney, Agent, or Firm*—J. Bennett Mullinax, LLC

(73) Assignee: **Jiangsu Lister Utility Engine**  
**Manufacturing Company Ltd.**,  
Travelers Rest, SC (US)

(57) **CLAIM**

The ornamental design for an engine muffler, as shown and described.

(\*\*) Term: **14 Years**

(21) Appl. No.: **29/294,379**

**DESCRIPTION**

(22) Filed: **Jan. 8, 2008**

FIG. 1 is a top plan view for an engine muffler according to a first embodiment of the present design;

(51) **LOC (9) Cl.** ..... **15-01**

(52) **U.S. Cl.** ..... **D15/5**

(58) **Field of Classification Search** ..... D15/1,  
D15/3, 5; D12/194; 181/236; 123/198 E,  
123/50 A, 50 B

FIG. 2 is a bottom plan view for an engine muffler as shown in FIG. 1;

FIG. 3 is a right side elevation view for an engine muffler as shown in FIG. 1;

See application file for complete search history.

FIG. 4 is a left side elevation view for an engine muffler as shown in FIG. 1;

(56) **References Cited**

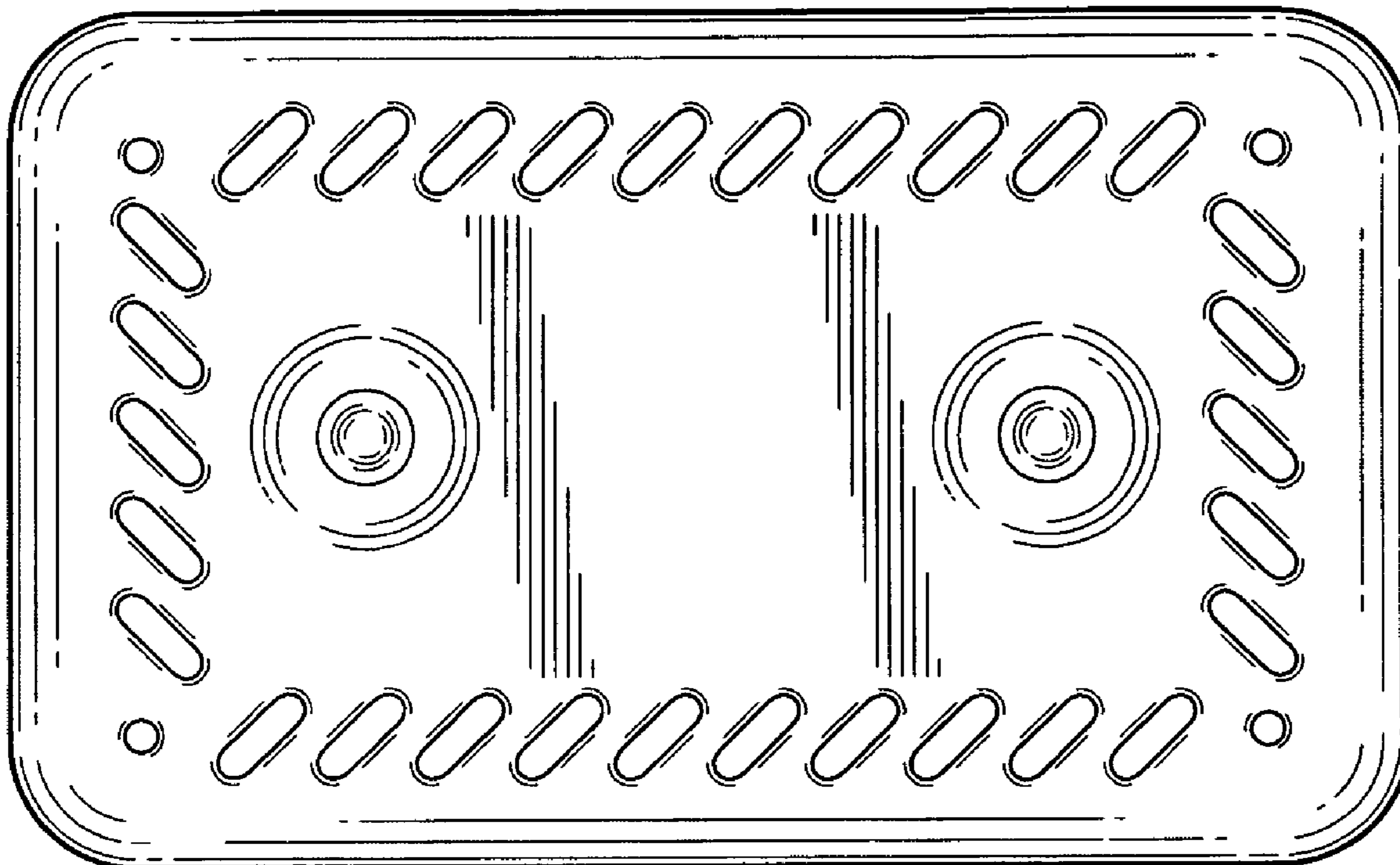
**U.S. PATENT DOCUMENTS**

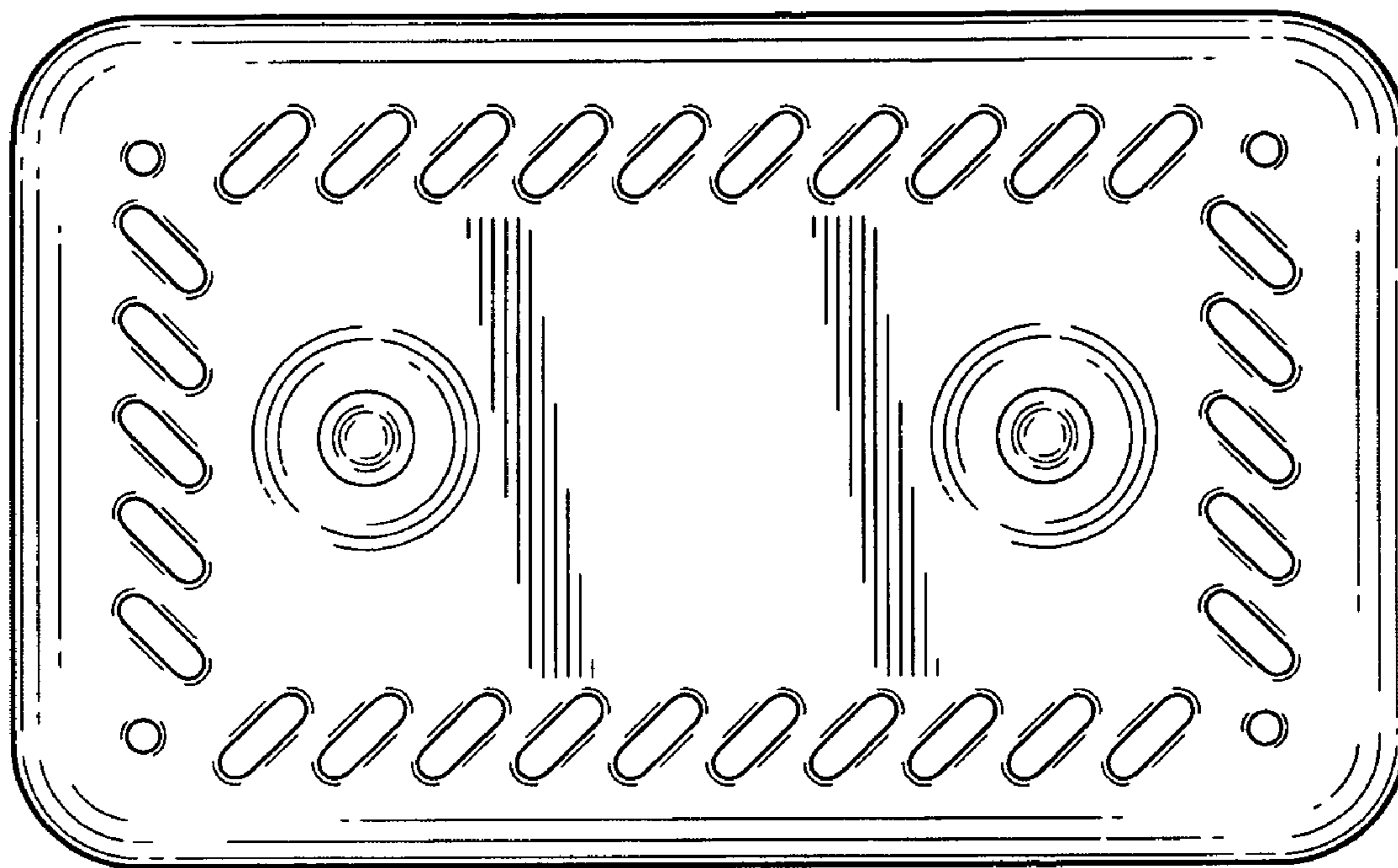
5,992,560 A 11/1999 Matsuoka et al.  
D445,075 S \* 7/2001 Fan ..... D12/194  
D452,672 S \* 1/2002 Kim ..... D12/194

FIG. 5 is a front elevation view of for an engine muffler as shown in FIG. 1; and,

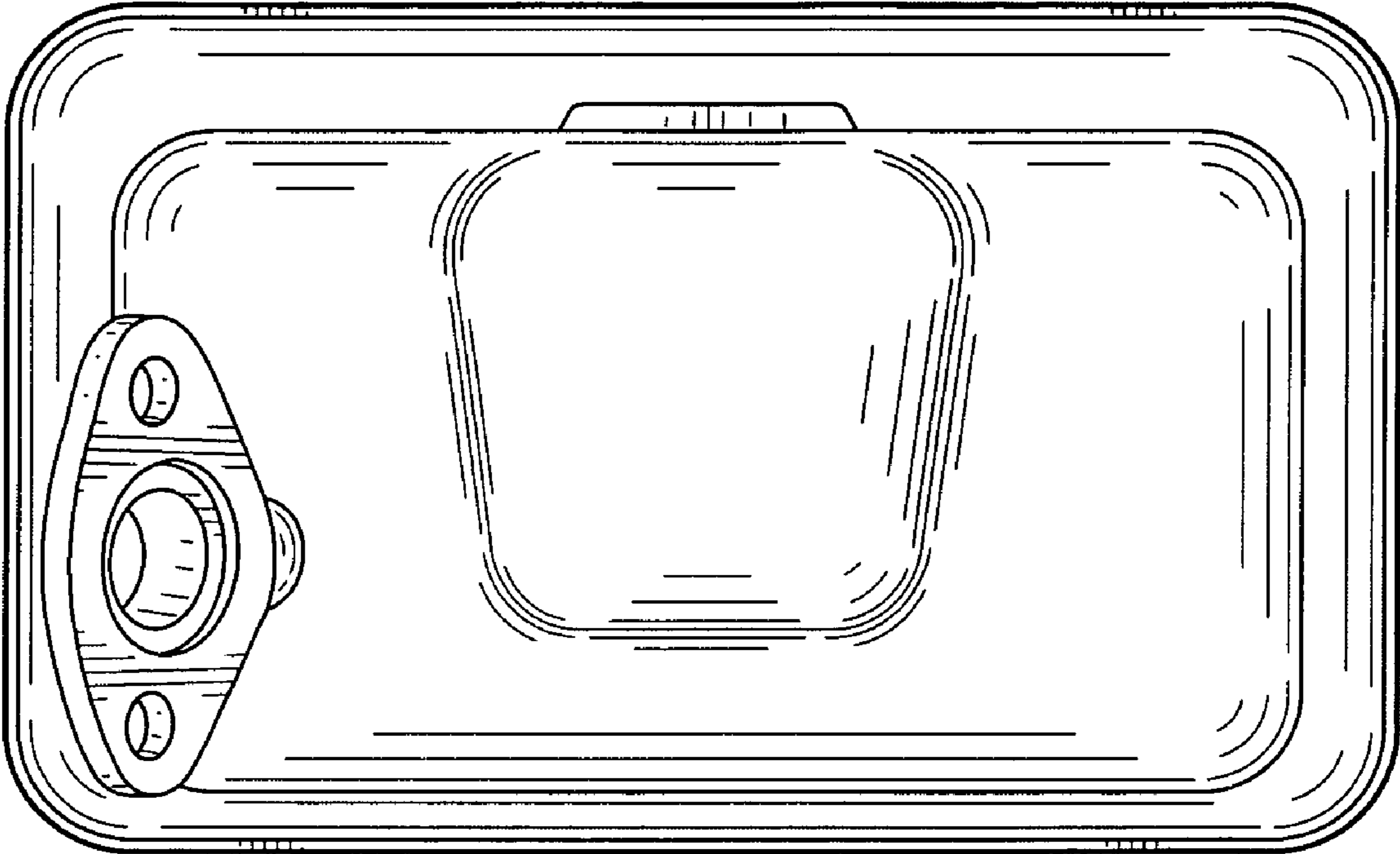
FIG. 6 is a rear elevation view for an engine muffler as shown in FIG. 1.

**1 Claim, 6 Drawing Sheets**

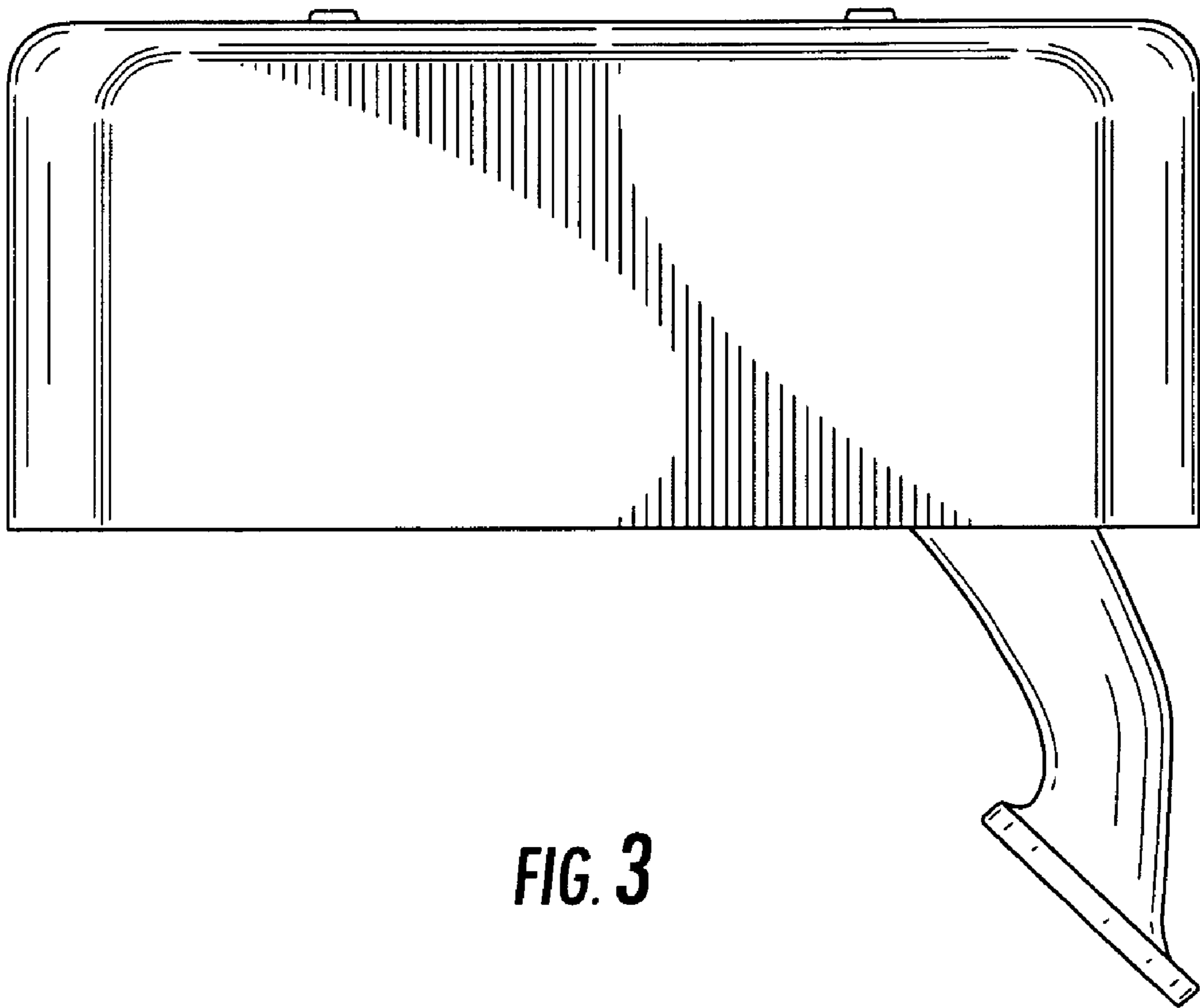


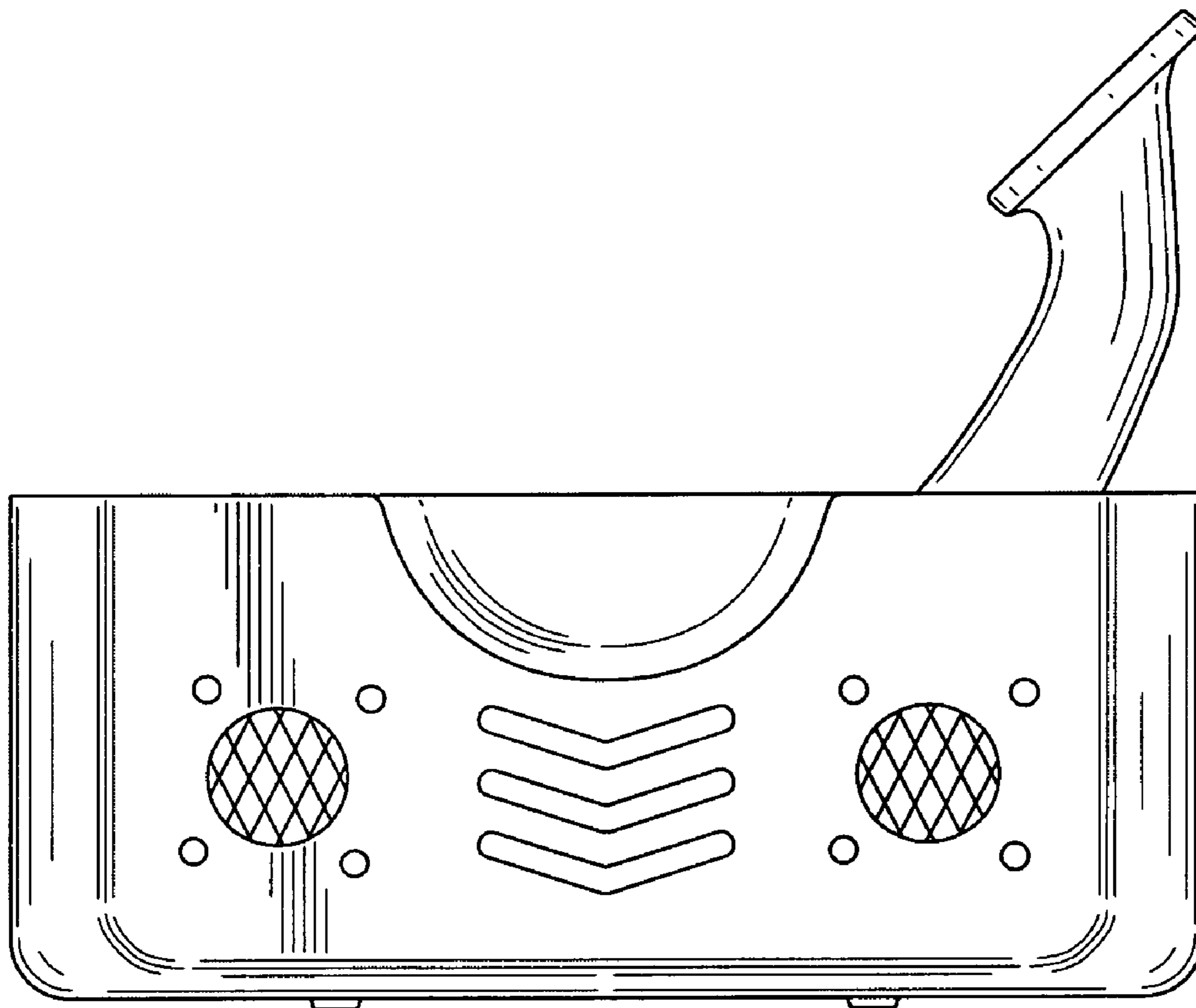


**FIG. 1**

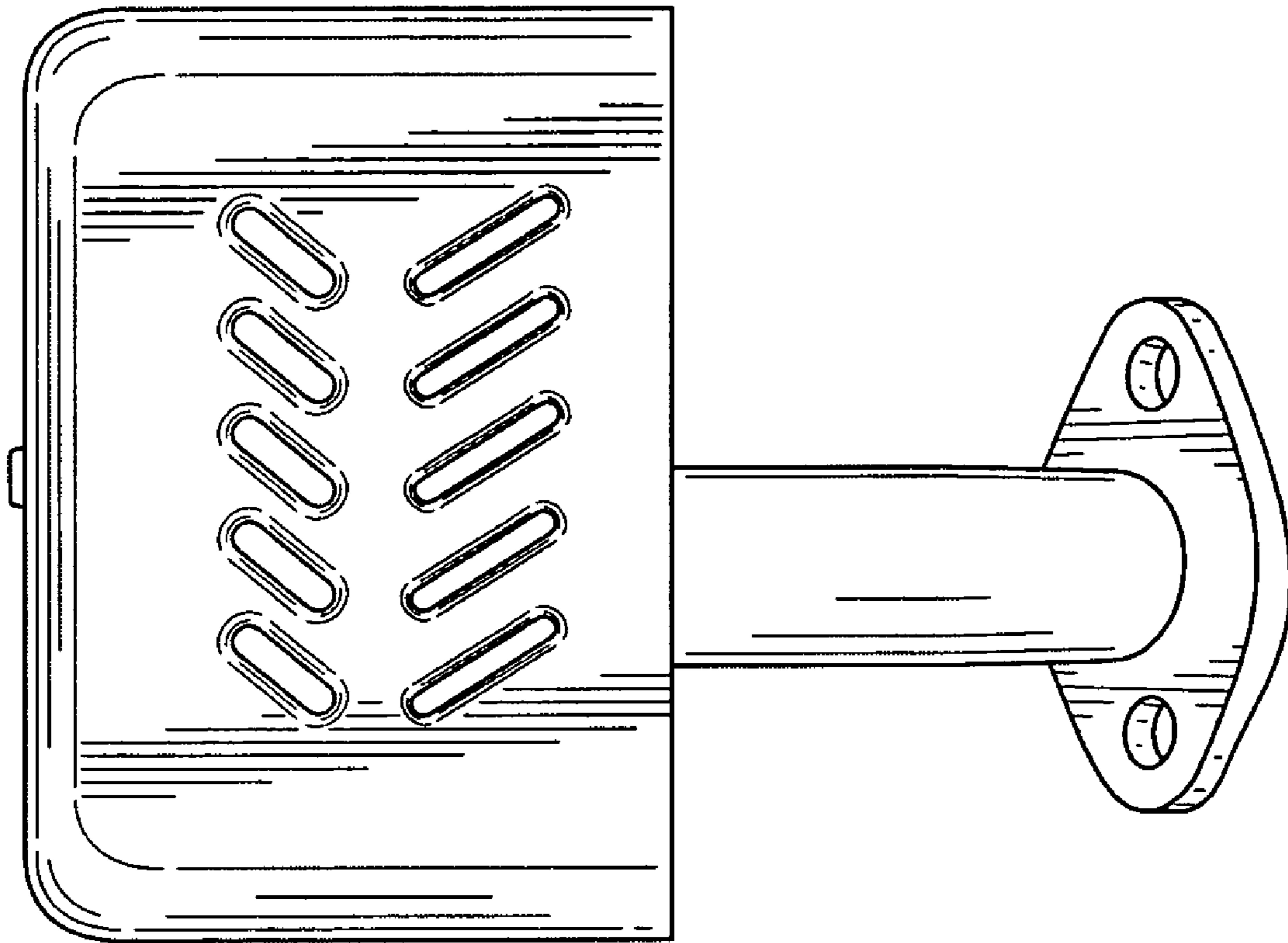


**FIG. 2**

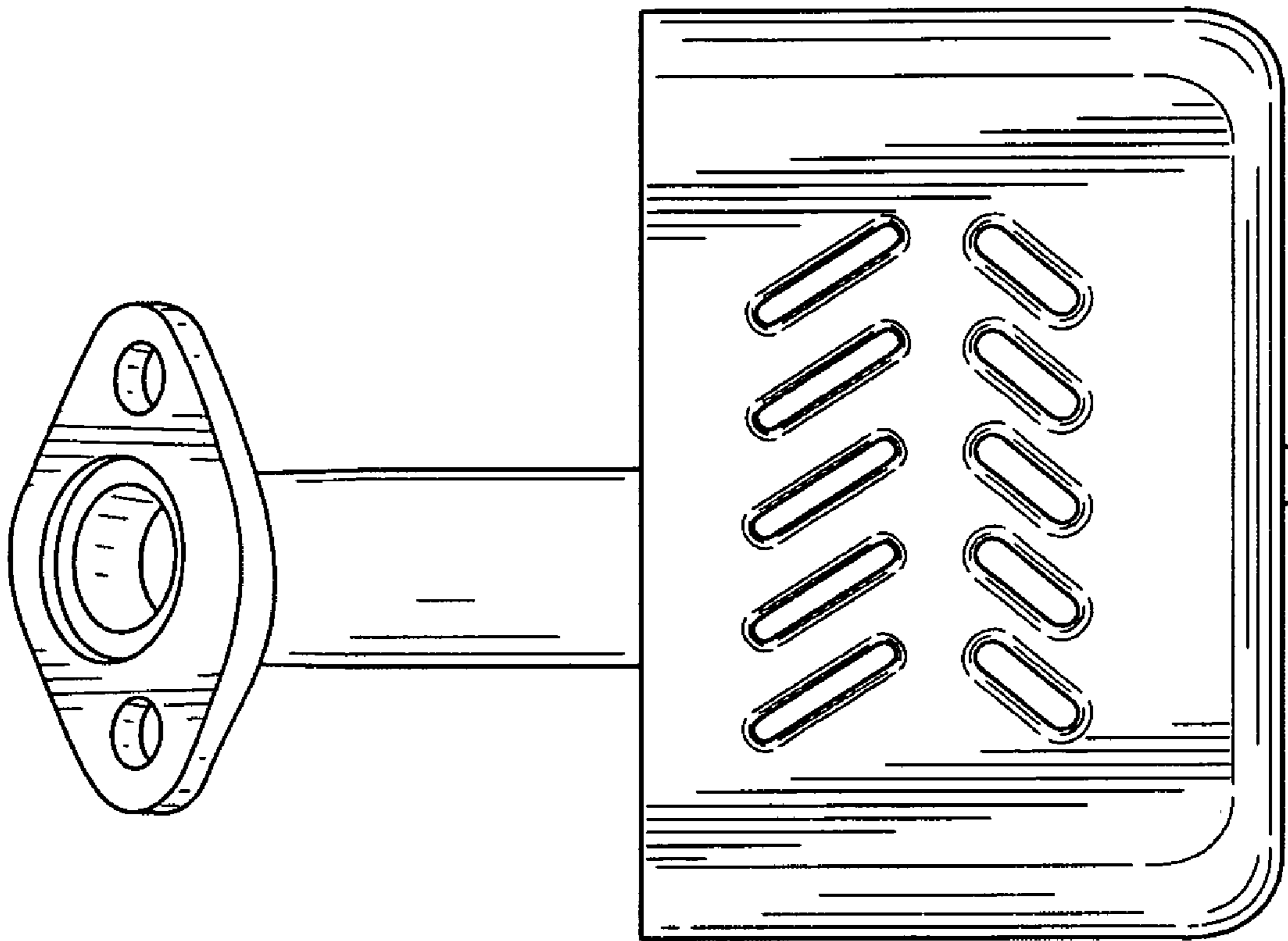




**FIG. 4**



**FIG. 5**



**FIG. 6**