



US00D596646S

(12) **United States Design Patent**
Wani

(10) **Patent No.:** **US D596,646 S**
(45) **Date of Patent:** **** Jul. 21, 2009**

(54) **TRANSITIONAL IMAGE FOR A PORTION OF
A DISPLAY SCREEN OF A DIGITAL
CAMERA**

D499,740 S * 12/2004 Ombao et al. D14/487
D522,015 S * 5/2006 Cummins et al. D14/487
D528,559 S * 9/2006 Hally et al. D14/487
D561,193 S * 2/2008 O'Mullan et al. D14/489

(75) Inventor: **Yuki Wani**, Machida (JP)

* cited by examiner

(73) Assignee: **Olympus Imaging Corp.**, Tokyo (JP)

Primary Examiner—Melanie H Tung

(**) Term: **14 Years**

(74) *Attorney, Agent, or Firm*—Frishauf, Holtz, Goodman & Chick, P.C.

(21) Appl. No.: **29/294,257**

(57) **CLAIM**

(22) Filed: **Dec. 31, 2007**

The ornamental design for a transitional image for a portion of a display screen of a digital camera, as shown and described.

(30) **Foreign Application Priority Data**

DESCRIPTION

Dec. 7, 2007 (JP) 2007-033667

(51) **LOC (9) Cl.** **32-00**

(52) **U.S. Cl.** **D14/488; D14/487**

(58) **Field of Classification Search** D14/485-95;
D18/24-33; D19/6, 52; D20/11; D21/324-33;
715/700-867, 973-77

FIG. 1 is a front view of a transitional image for a portion of a display screen of a digital camera, showing my new design; FIG. 2 is a front view of a second image thereof; and, FIG. 3 is a front view of a third image thereof.

See application file for complete search history.

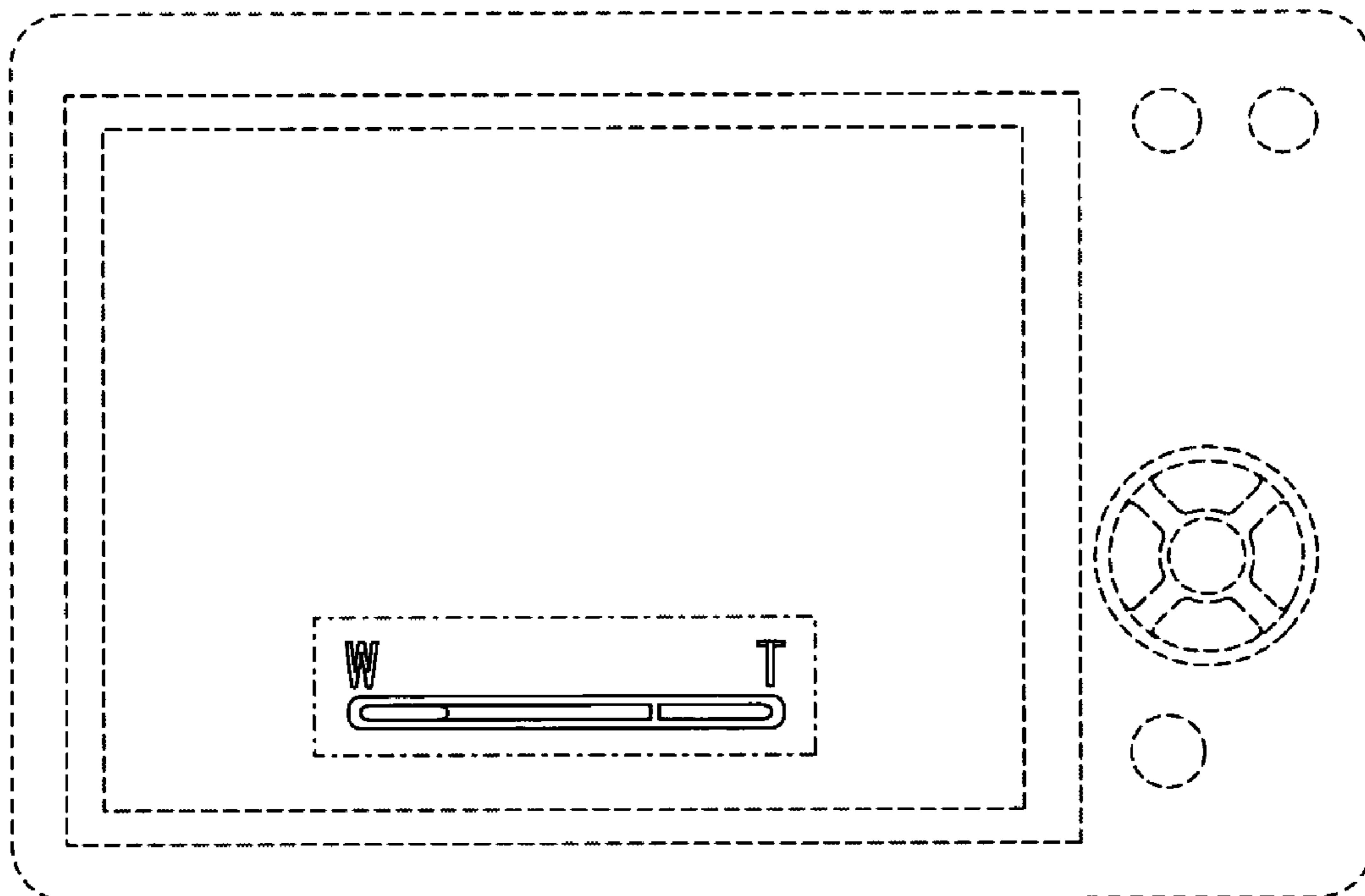
The appearance of the transitional image sequentially transitions between images shown in FIGS. 1-3. The process or period in which one image changes into another forms no part of the claimed design. The broken line showing of a portion of a display screen and of a camera in all views is for illustrative purposes only and forms no part of the claimed design

(56) **References Cited**

U.S. PATENT DOCUMENTS

D395,291 S * 6/1998 Mason et al. D14/490
D435,561 S * 12/2000 Pettigrew et al. D14/487
6,452,615 B1 * 9/2002 Chiu et al. 715/776
D491,956 S * 6/2004 Ombao et al. D14/487

1 Claim, 2 Drawing Sheets



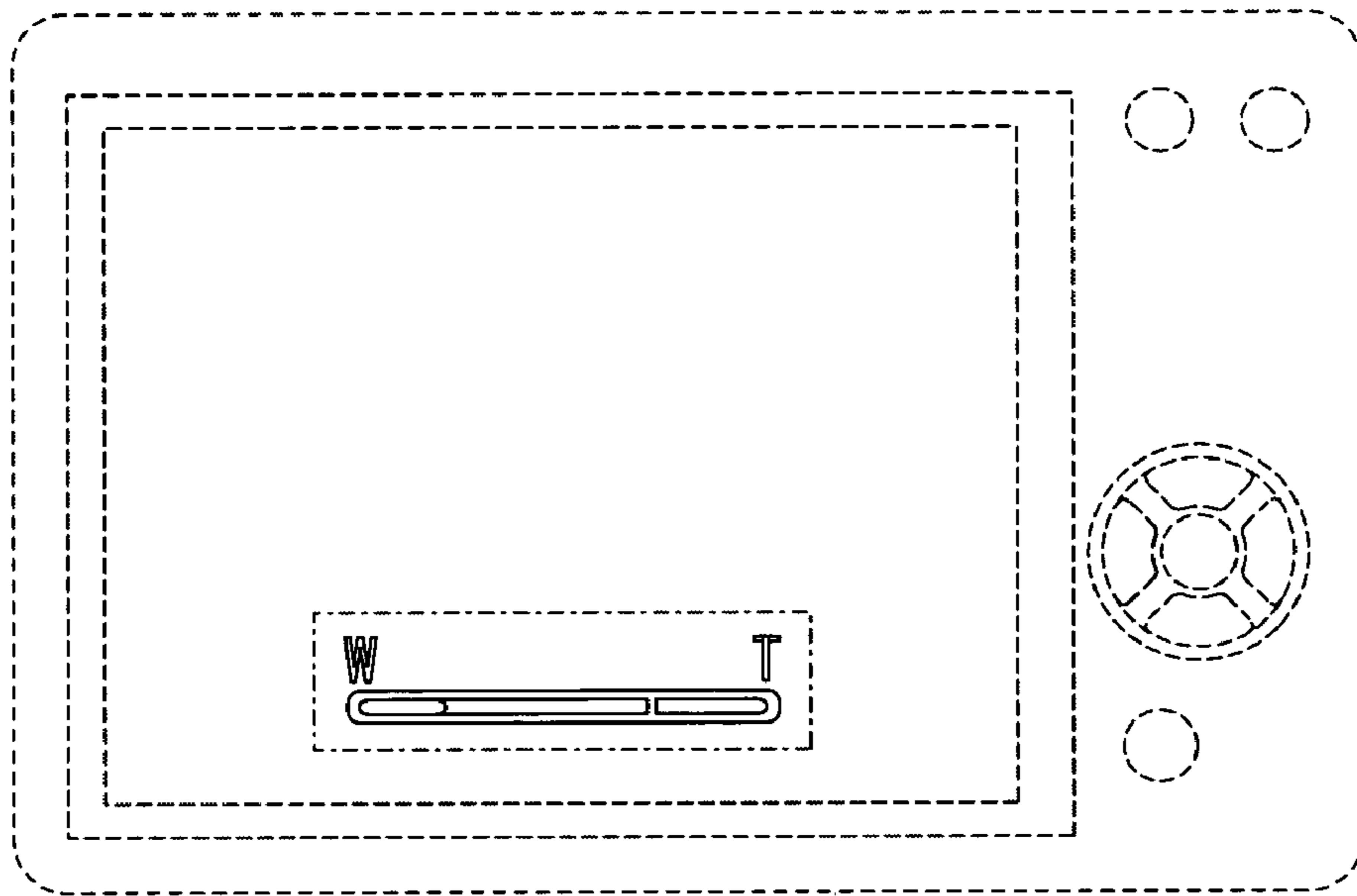


FIG. 1

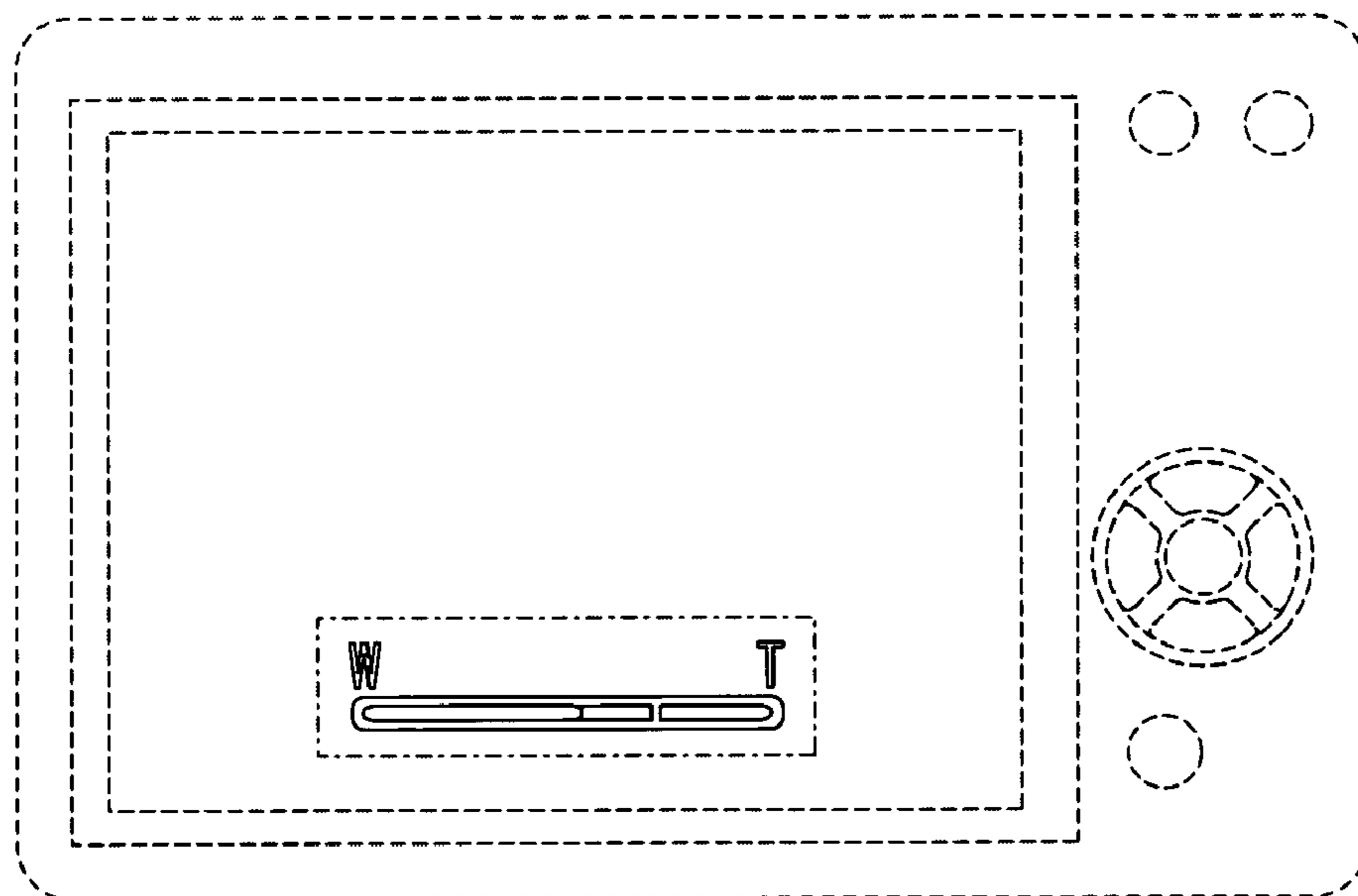


FIG. 2

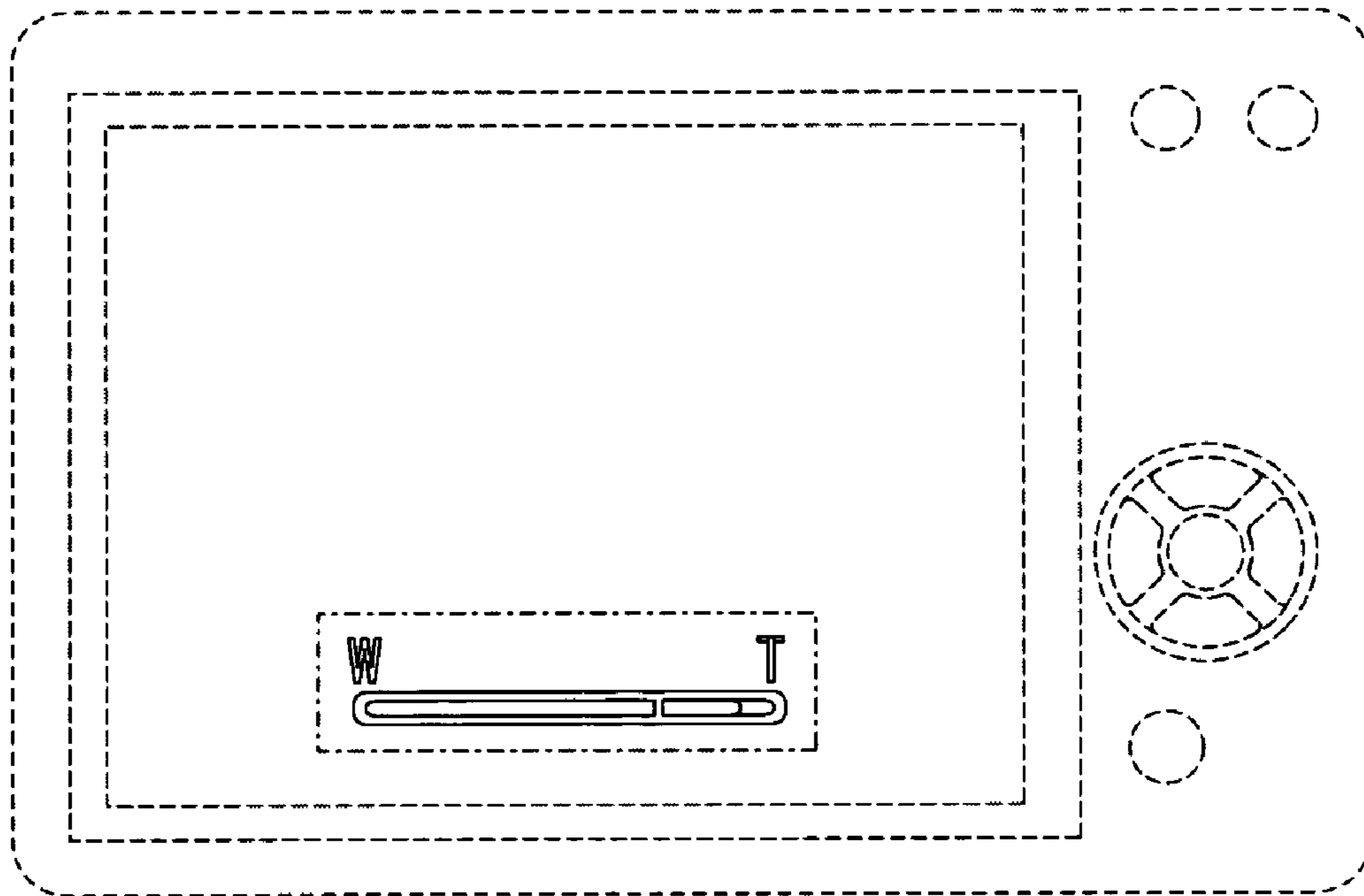


FIG. 3