



US00D596641S

(12) **United States Design Patent**
Scheibenzuber et al.

(10) **Patent No.:** **US D596,641 S**
(45) **Date of Patent:** **** Jul. 21, 2009**

(54) **USB MEMORY STICK**

(75) Inventors: **Robert Scheibenzuber**, München (DE);
Stefan Schenk, München (DE)

(73) Assignee: **Giesecke & Devrient GmbH**, Munich
(DE)

(**) Term: **14 Years**

(21) Appl. No.: **29/300,687**

(22) Filed: **Apr. 25, 2008**

(51) **LOC (9) Cl.** **14-99**

(52) **U.S. Cl.** **D14/480.7**

(58) **Field of Classification Search** D14/436,
D14/411, 384–385, 518, 348, 432–435, 299,
D14/167, 402, 242, 356, 358, 496, 156, 240;
710/300–301; 439/131, 140–141; 361/684,
361/686

See application file for complete search history.

(56) **References Cited**

U.S. PATENT DOCUMENTS

D494,175 S *	8/2004	Kawasaki	D14/384
D494,969 S *	8/2004	Lin	D14/480.7
6,963,468 B2 *	11/2005	Chang et al.	360/97.01
D538,223 S *	3/2007	Yang	D14/435.1
D546,328 S *	7/2007	Kobayakawa	D14/480.7
D553,618 S *	10/2007	Cheng	D14/356
D556,751 S *	12/2007	Rambosek et al.	D14/356
D557,697 S *	12/2007	Chen et al.	D14/356
D558,763 S *	1/2008	Morganstern et al.	D14/356
D562,819 S *	2/2008	Yu et al.	D14/385

D566,709 S *	4/2008	Kim	D14/356
2005/0130471 A1 *	6/2005	Regen et al.	439/131
2008/0019090 A1 *	1/2008	Zhu et al.	361/684

OTHER PUBLICATIONS

Rotatable Card Reader Manufacturer, p. 1 [online], [retrieved on Jan. 8, 2007]. Retrieved from the Internet <URL: <http://www.globalsources.com/gsol/I/Memory-card/p/bg/1001397133.htm>>.*
Laptoplog >> Usb, p. 10 [online]Dec. 20, 2005 [retrieved on Jan. 20, 2007]. Retrieved from the Internet <URL: <http://WWW.laptoplog.com/category/accesorios/usb/>>.*

* cited by examiner

Primary Examiner—Cathron C Brooks

Assistant Examiner—Karen E Kearney

(74) *Attorney, Agent, or Firm*—Bacon & Thomas, PLLC

(57) **CLAIM**

The ornamental design for a USB memory stick, as shown and described.

DESCRIPTION

FIG. 1 is an upper perspective view of our design for a USB memory stick;

FIG. 2 is a top plan view thereof;

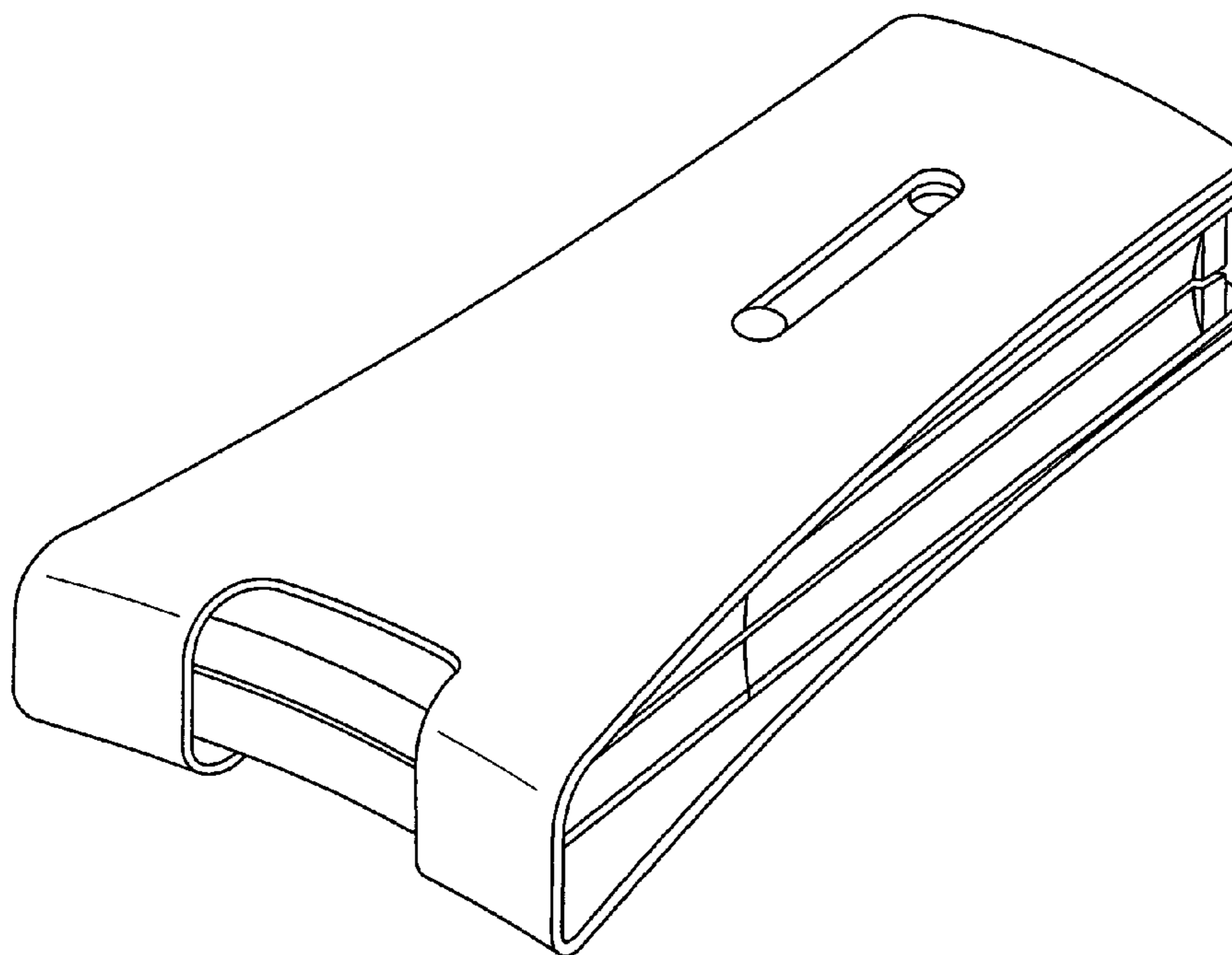
FIG. 3 is a bottom plan view thereof;

FIG. 4 is a left side elevation view thereof;

FIG. 5 is a right side elevation view thereof; and,

FIG. 6 is a front elevation view thereof, the rear view being a mirror image thereof.

1 Claim, 6 Drawing Sheets



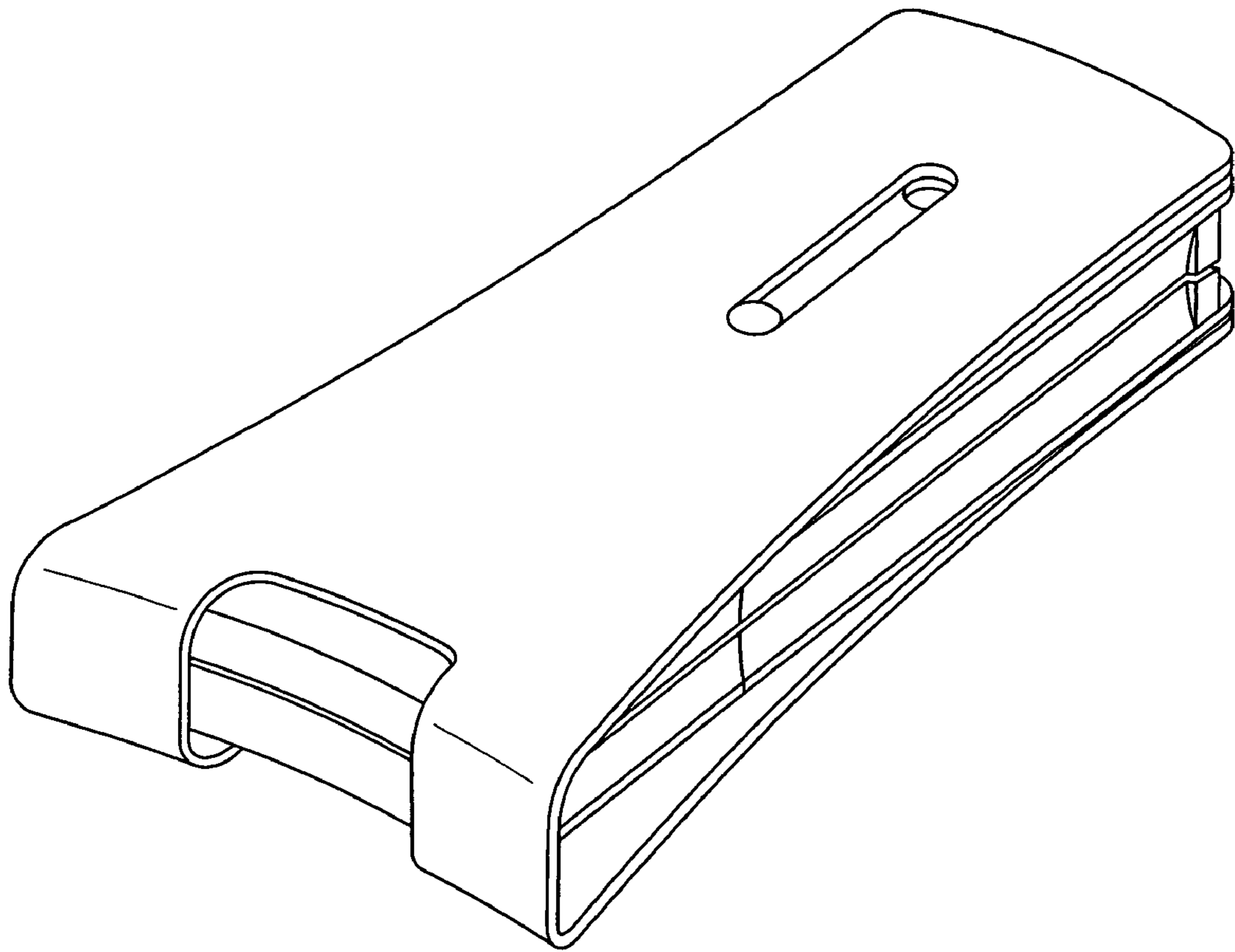


FIG. 1

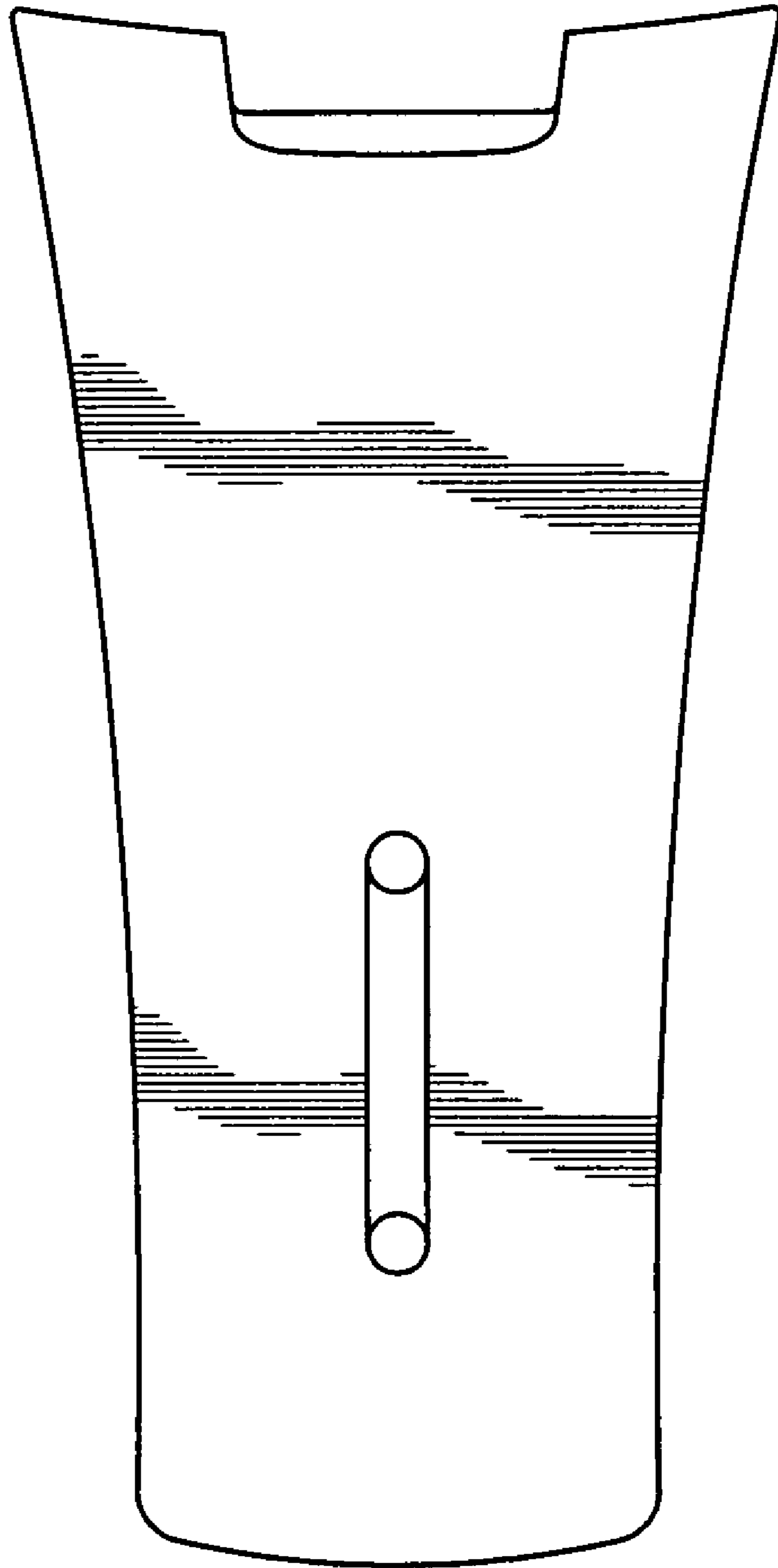


FIG. 2

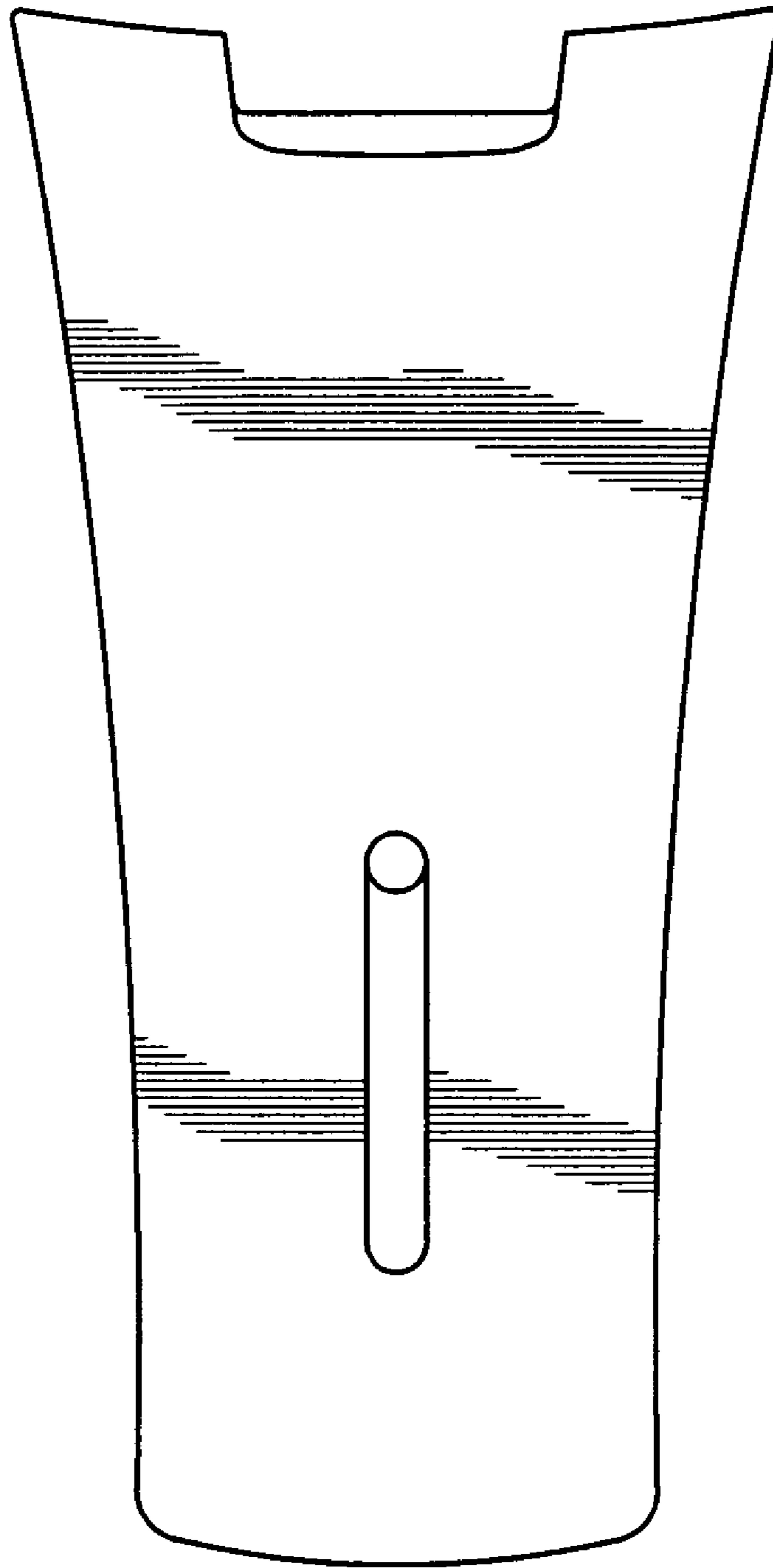


FIG. 3

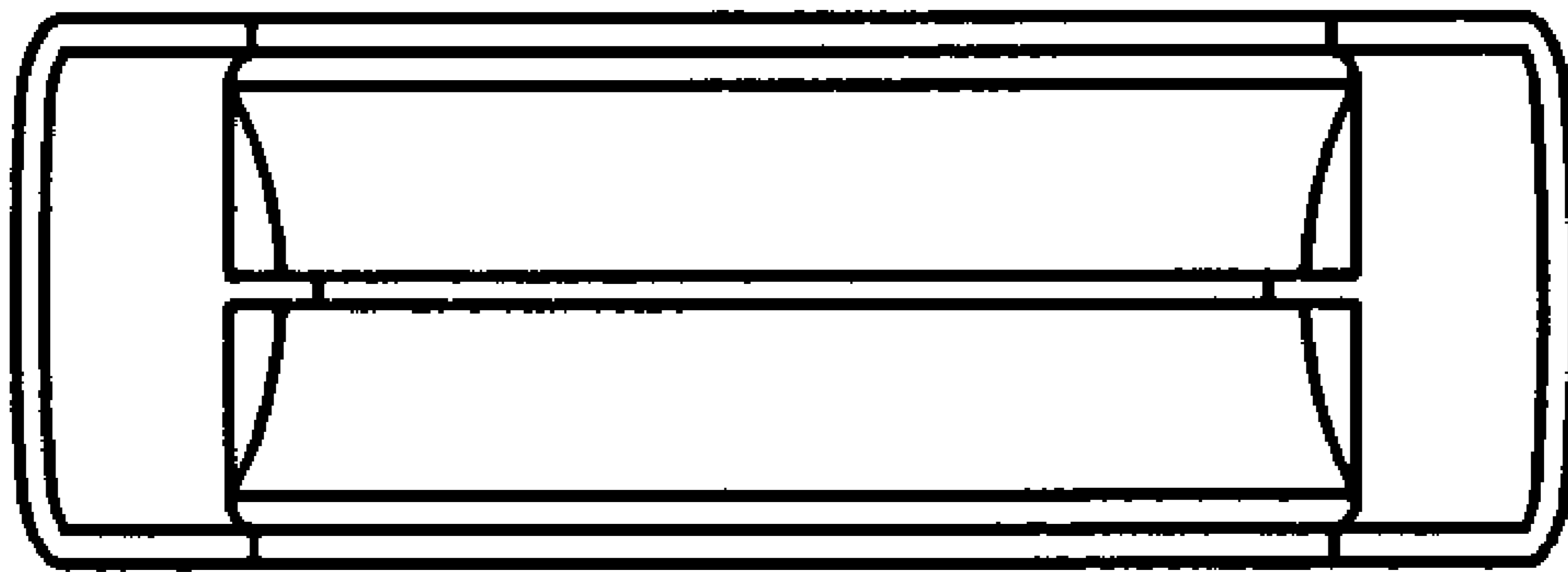


FIG. 4

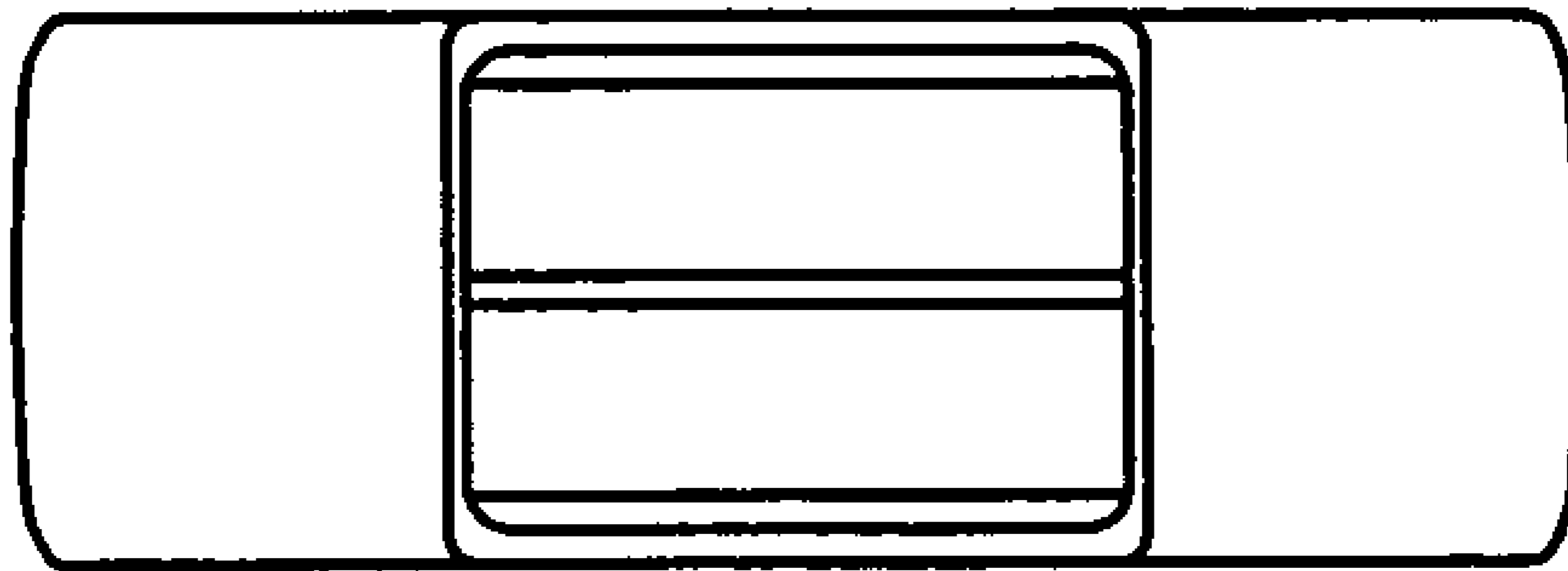


FIG. 5



FIG. 6