

US00D596637S

(12) **United States Design Patent**
Cheng et al.

(10) **Patent No.:** **US D596,637 S**
(45) **Date of Patent:** **** Jul. 21, 2009**

(54) **LENS FOR OPTICAL MOUSE**

(75) Inventors: **Chu-Liang Cheng**, Taipei County (TW);
Chi-Hua Wang, Taipei (TW); **Ying-Tien Shen**, Taipei County (TW)

(73) Assignee: **Elite Advanced Laser Corporation**,
Taipei Hsien (TW)

(**) Term: **14 Years**

(21) Appl. No.: **29/250,281**

(22) Filed: **Nov. 9, 2006**

(51) **LOC (9) Cl.** **14-02**

(52) **U.S. Cl.** **D14/402**

(58) **Field of Classification Search** D14/402-410,
D14/412-417, 426-428, 430, 432, 435.1,
D14/458; D13/168, 169; 345/156-167;
D15/18, 28, 17; 369/44.21, 44.23; 257/99
See application file for complete search history.

(56) **References Cited**

U.S. PATENT DOCUMENTS

4,550,316	A *	10/1985	Whetstone et al.	345/163
4,861,137	A *	8/1989	Nagata	359/820
5,105,410	A *	4/1992	Maeda et al.	369/44.37
5,623,462	A *	4/1997	Tezuka et al.	369/44.23
6,040,950	A *	3/2000	Broome	359/820
6,134,195	A *	10/2000	Kawamura	369/44.23
6,462,330	B1 *	10/2002	Venkat et al.	250/239
6,771,408	B2 *	8/2004	Huang et al.	359/205.1
6,803,608	B1 *	10/2004	Chen	257/99
7,061,691	B2 *	6/2006	Kishima et al.	359/719
7,078,799	B2 *	7/2006	Vittu	257/704
7,102,981	B2 *	9/2006	Hendriks	369/112.26

7,119,791	B2 *	10/2006	Iwasaki	345/163
2003/0076035	A1 *	4/2003	Ueda	313/512
2004/0104892	A1 *	6/2004	Crew	345/163
2004/0149894	A1 *	8/2004	Tschirren et al.	250/221
2006/0050058	A1 *	3/2006	Chu	345/166
2006/0232556	A1 *	10/2006	Chien	345/166

* cited by examiner

Primary Examiner—Cathron C Brooks

Assistant Examiner—Kevin K Rudzinski

(74) *Attorney, Agent, or Firm*—Jianq Chyun IP Office

(57) **CLAIM**

The ornamental design for a lens for optical mouse, as shown and described.

DESCRIPTION

FIG. 1 is a top perspective view of a lens for optical mouse showing the new design;

FIG. 2 is a bottom perspective view thereof;

FIG. 3 is a front view thereof;

FIG. 4 is a rear view thereof;

FIG. 5 is a left side view thereof;

FIG. 6 is a right side view thereof;

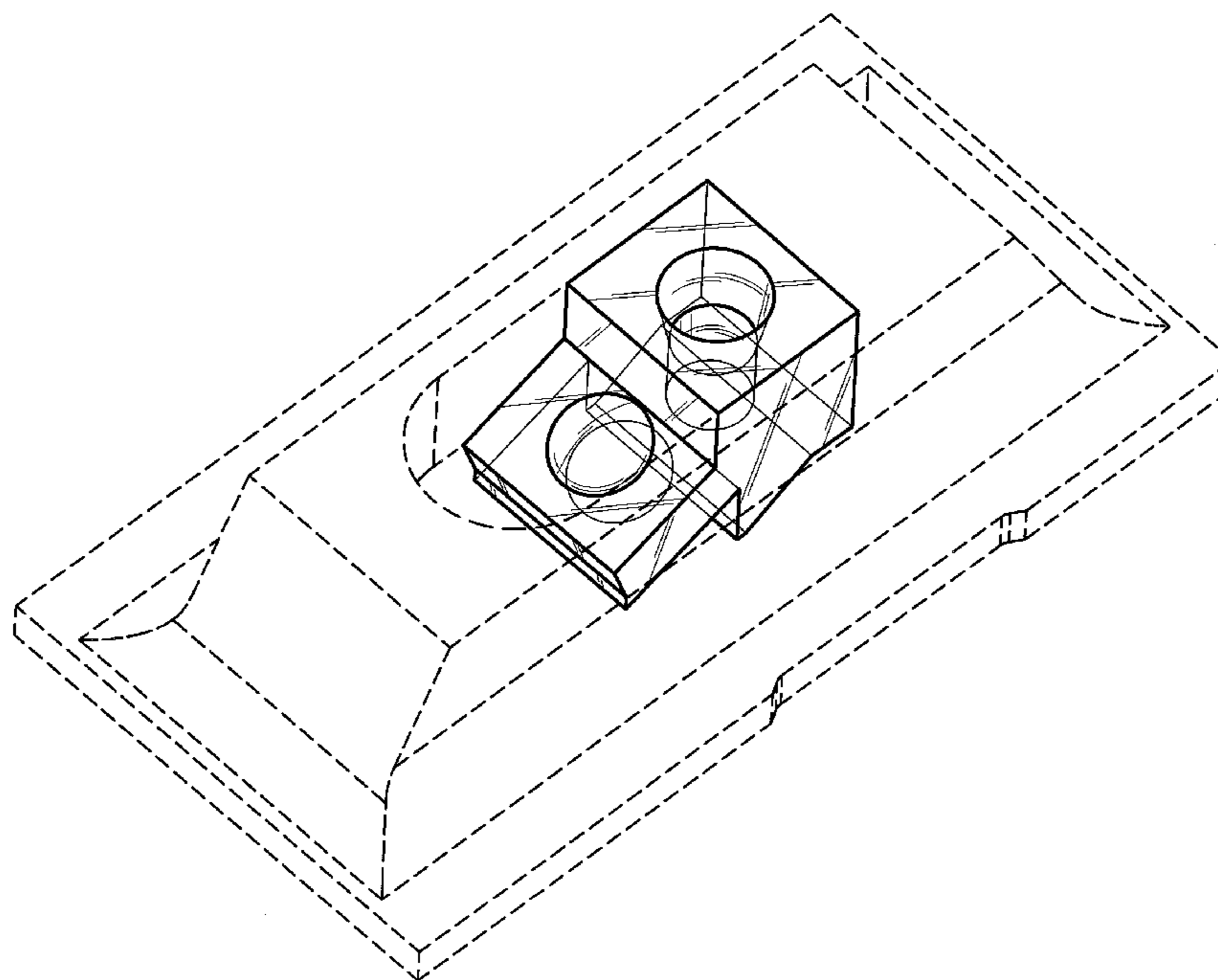
FIG. 7 is a top view thereof;

FIG. 8 is a bottom view thereof; and,

FIG. 9 is a cross-sectional view taken along line 9—9 in FIG. 7.

The broken lines are for illustrative purposes only and do not form part of the claimed design.

1 Claim, 7 Drawing Sheets



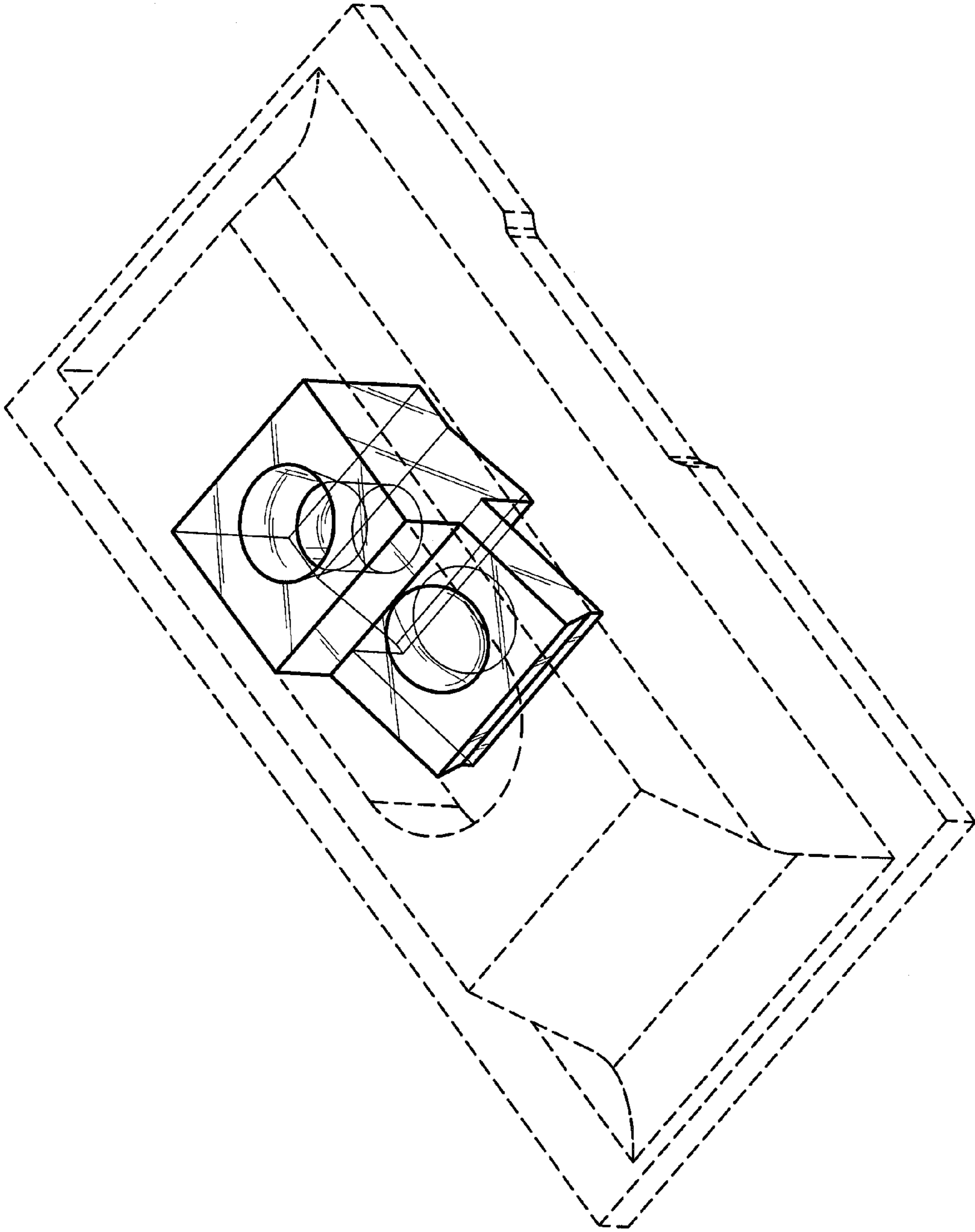


FIG. 1

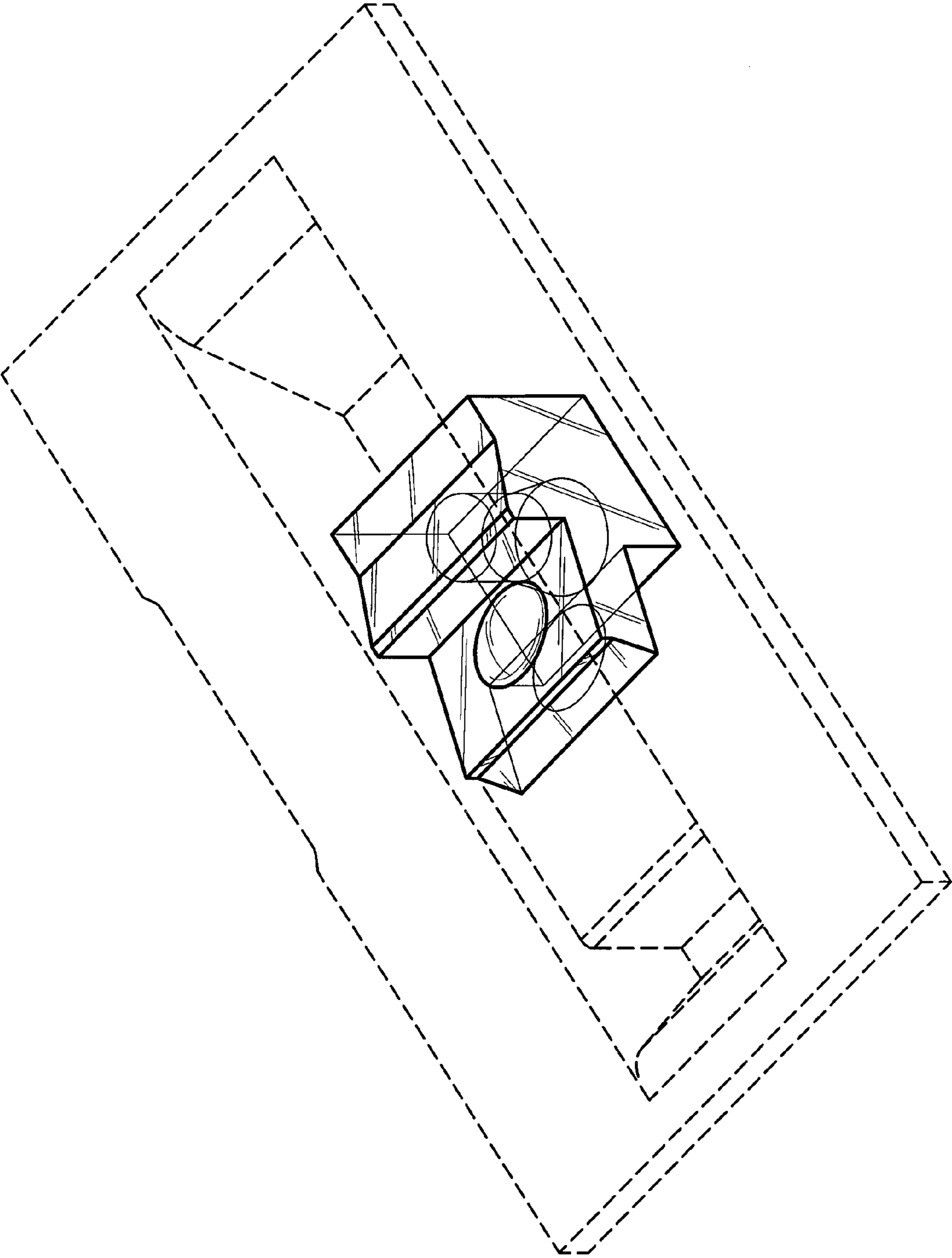


FIG. 2

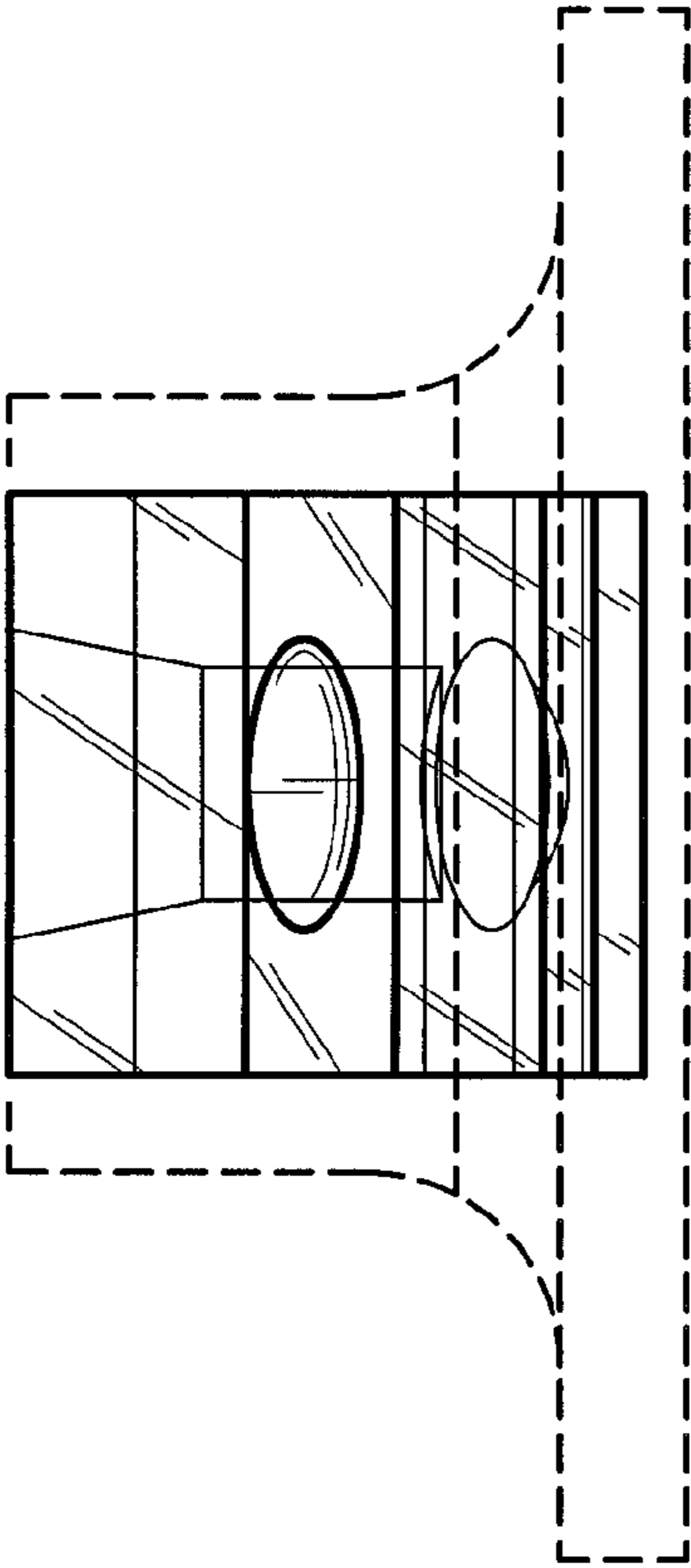


FIG. 3

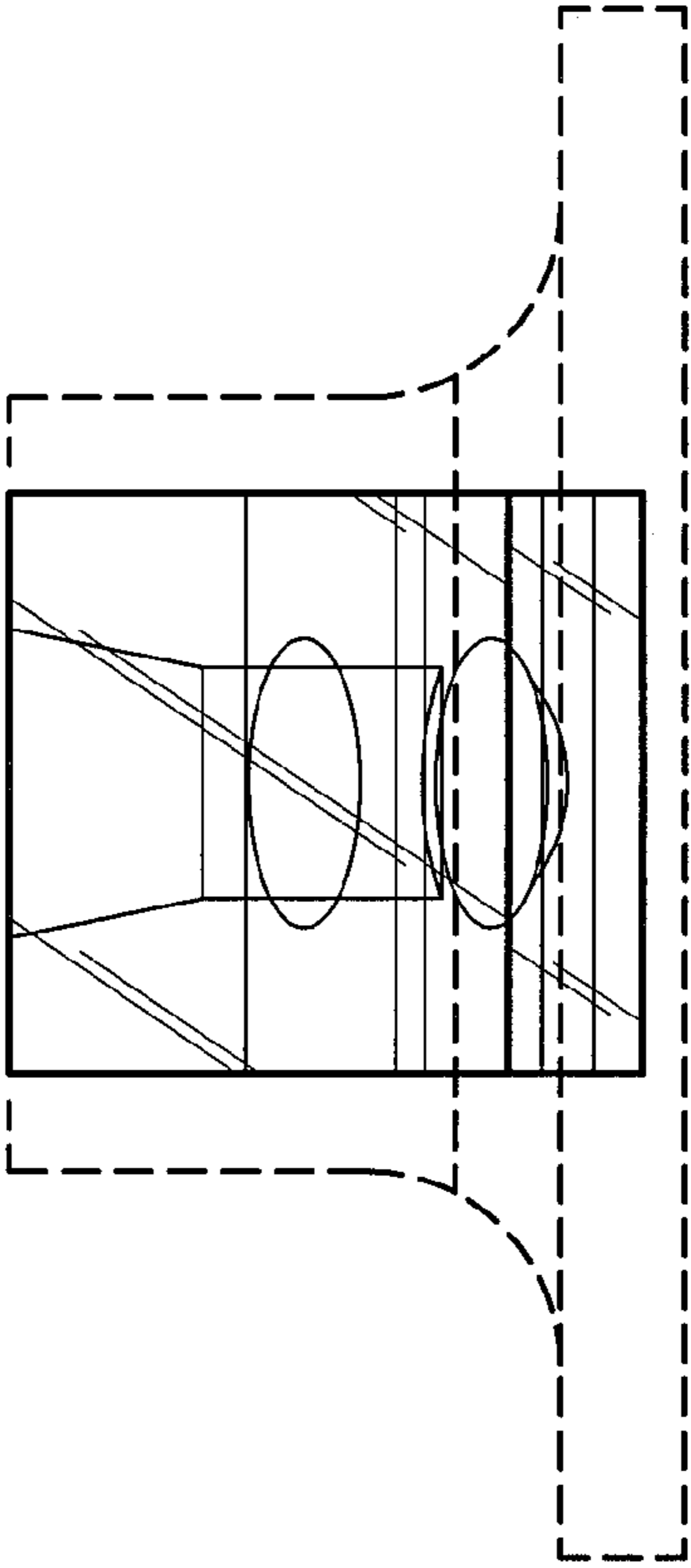


FIG. 4

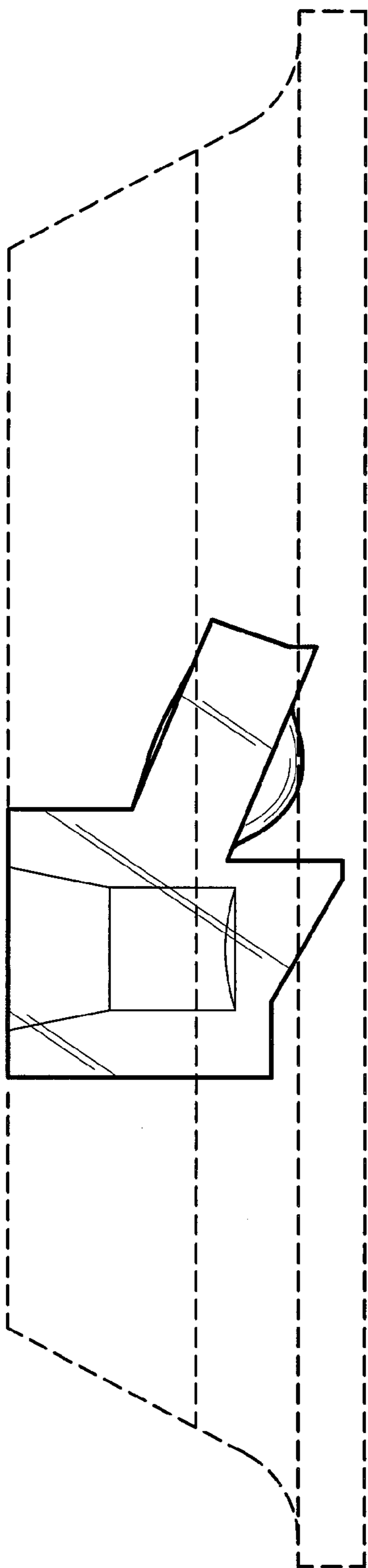


FIG. 5

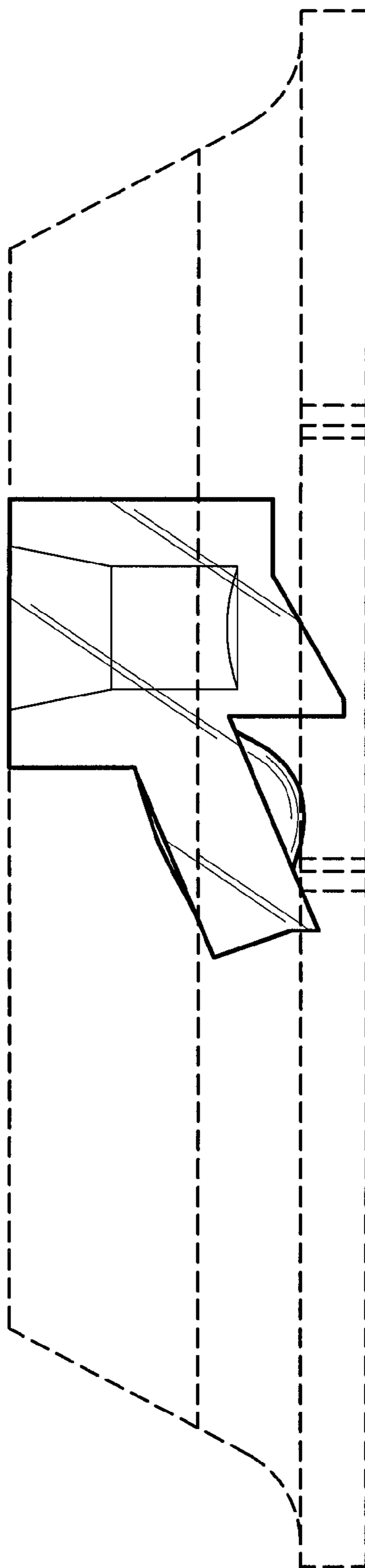
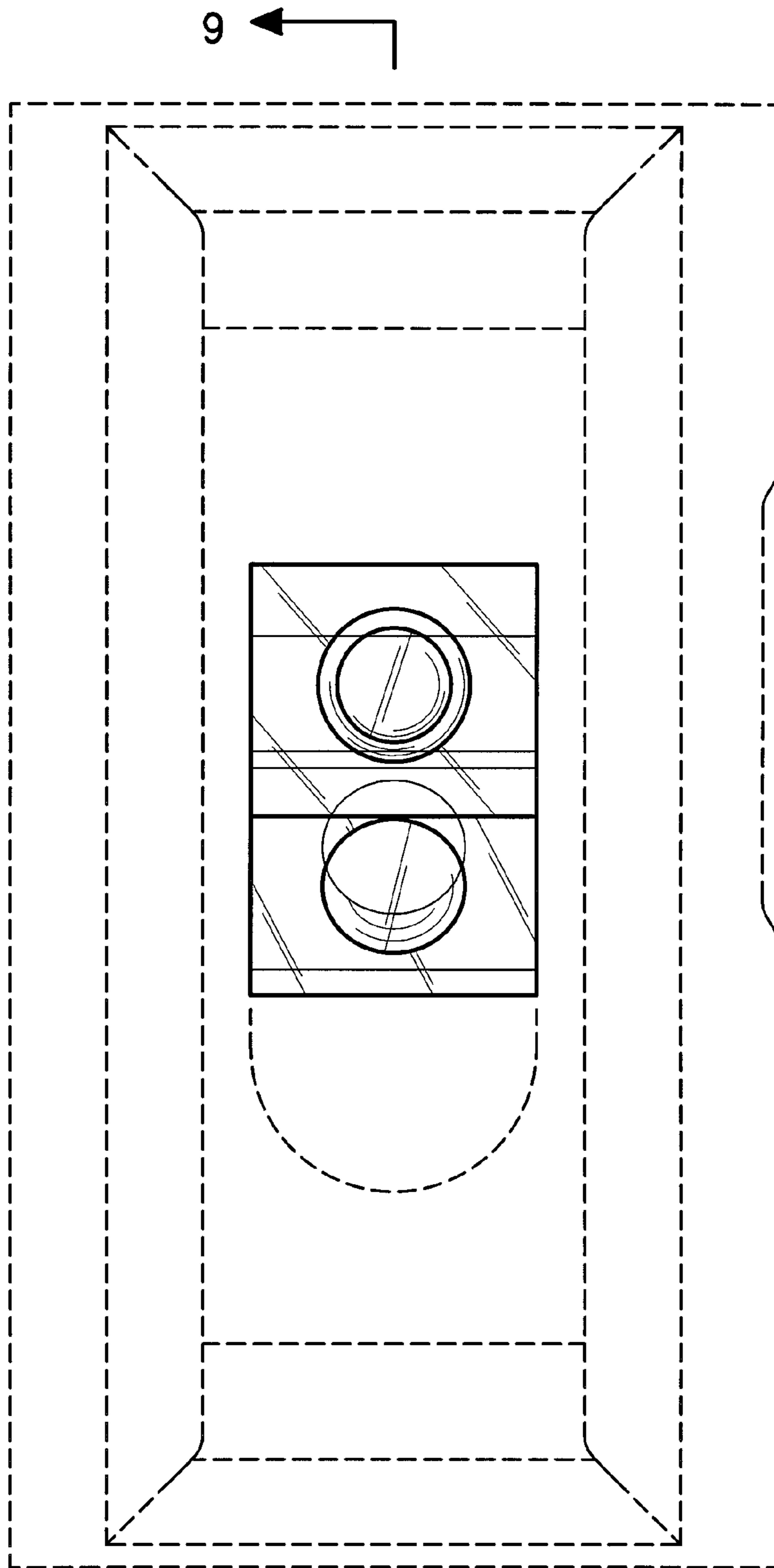


FIG. 6



9 ←
FIG. 7

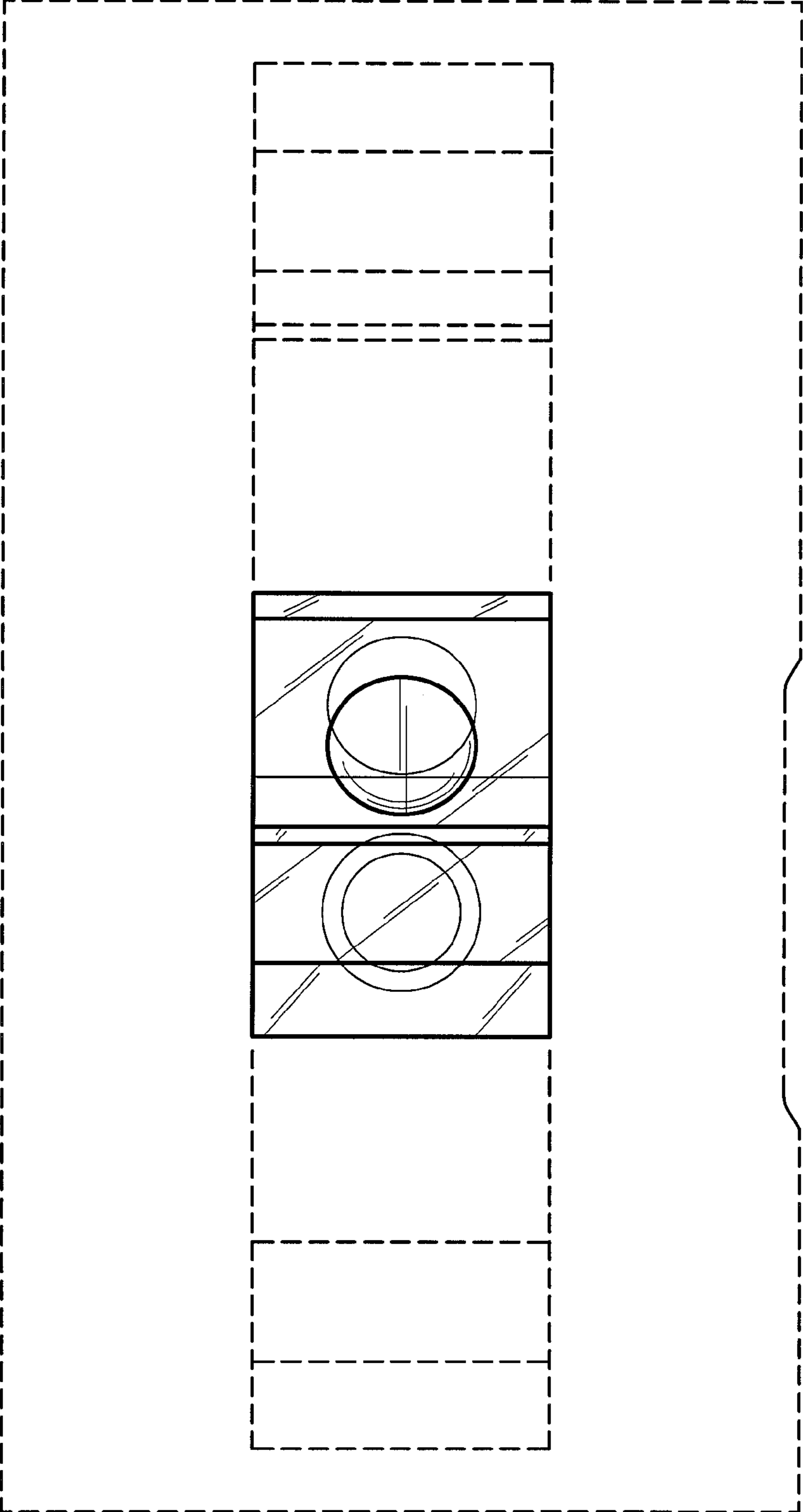


FIG. 8

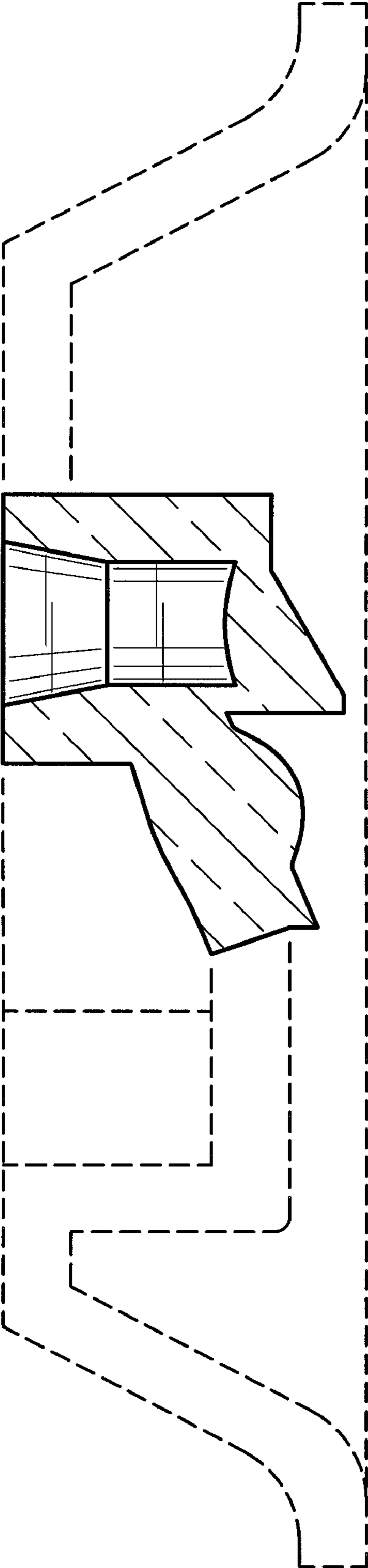


FIG. 9