



US00D596636S

(12) **United States Design Patent**
Kim et al.

(10) **Patent No.:** **US D596,636 S**

(45) **Date of Patent:** **** Jul. 21, 2009**

(54) **CARD READER**

(75) Inventors: **Hee-Yul Kim**, Kyunggi-do (KR);
Jun-Won Bae, Seoul (KR); **Bong-Uk Lim**,
Kyunggi-do (KR)

(73) Assignee: **Samsung Electronics Co., Ltd.**, Suwon,
Kyunggi-Do (KR)

(**) Term: **14 Years**

(21) Appl. No.: **29/313,862**

(22) Filed: **Feb. 17, 2009**

(51) **LOC (9) Cl.** **14-02**

(52) **U.S. Cl.** **D14/363**

(58) **Field of Classification Search** D13/184;
D14/348, 356, 363, 435, 365, 367, 368; 379/413.02,
379/413.04; 361/600, 679, 683-685
See application file for complete search history.

(56) **References Cited**

U.S. PATENT DOCUMENTS

- D436,959 S * 1/2001 Reynolds et al. D14/368
- D491,940 S * 6/2004 Narita D14/368
- D513,253 S * 12/2005 Kawasaki D14/363

- D518,823 S * 4/2006 Huang D14/367
- D532,785 S * 11/2006 Lo et al. D14/363
- D568,276 S * 5/2008 Ikeda et al. D14/365
- D581,928 S * 12/2008 Tsuchiya D14/363

* cited by examiner

Primary Examiner—Brian N Vinson

(74) *Attorney, Agent, or Firm*—Flynn, Thiel, Boutell & Tanis,
P.C.

(57) **CLAIM**

The ornamental design for a card reader, as shown and described.

DESCRIPTION

FIG. 1 is a top front perspective view of a card reader showing our new design;

FIG. 2 is a front elevational view thereof;

FIG. 3 is a rear elevational view thereof;

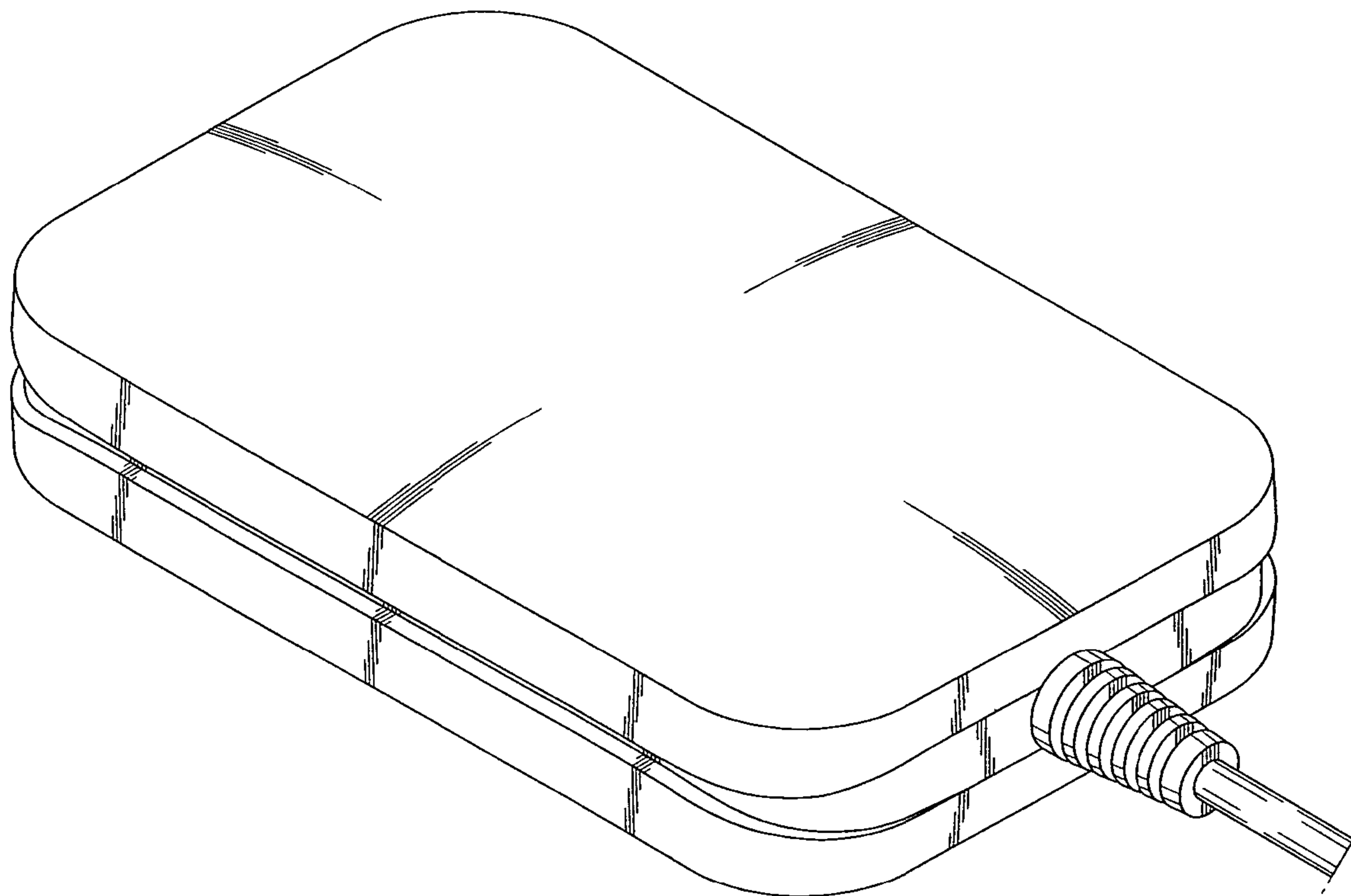
FIG. 4 is a left side elevational view thereof;

FIG. 5 is a right side elevational view thereof;

FIG. 6 is a top plan view thereof; and,

FIG. 7 is a bottom plan view thereof.

1 Claim, 4 Drawing Sheets



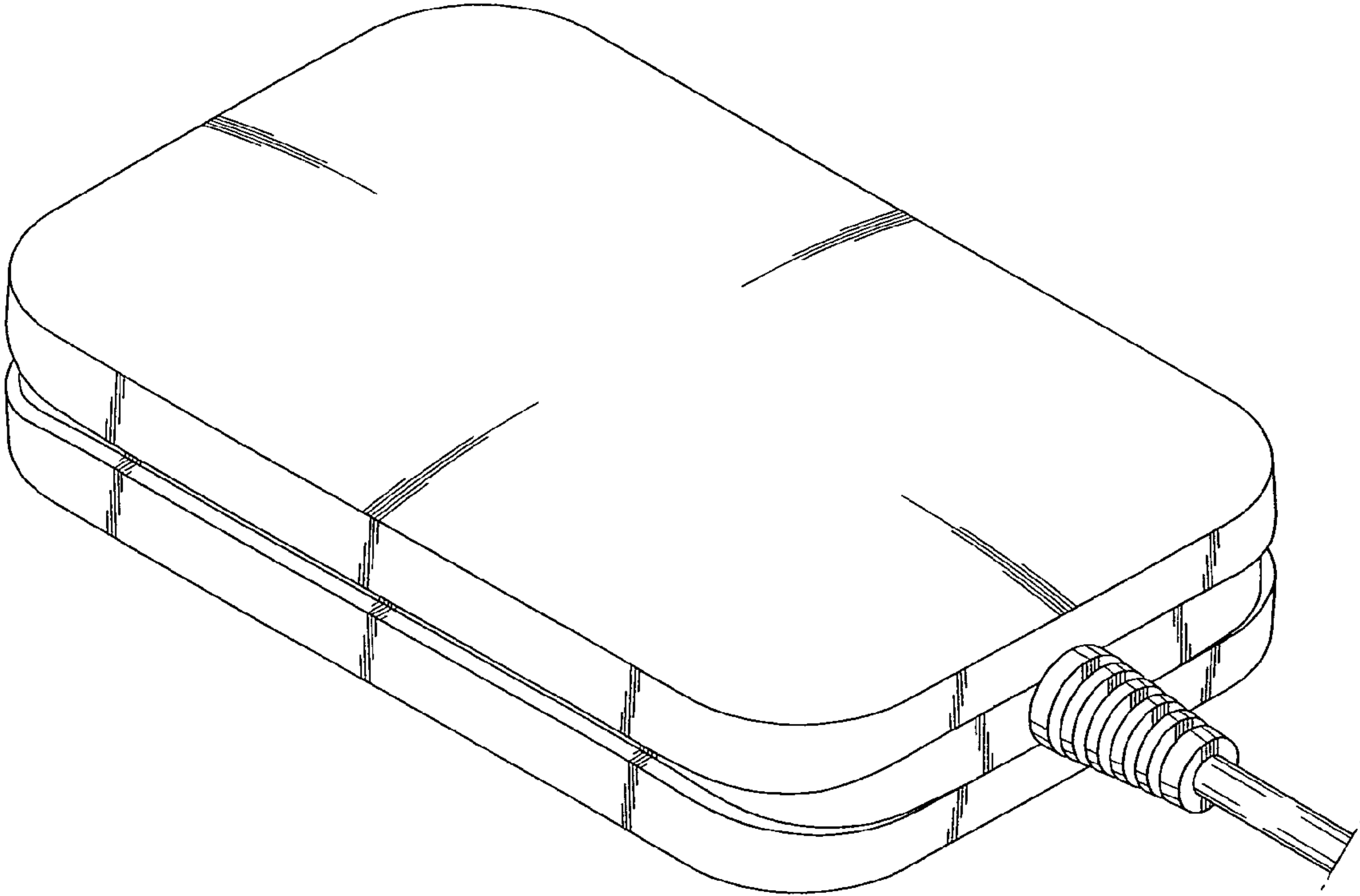


FIG. 1

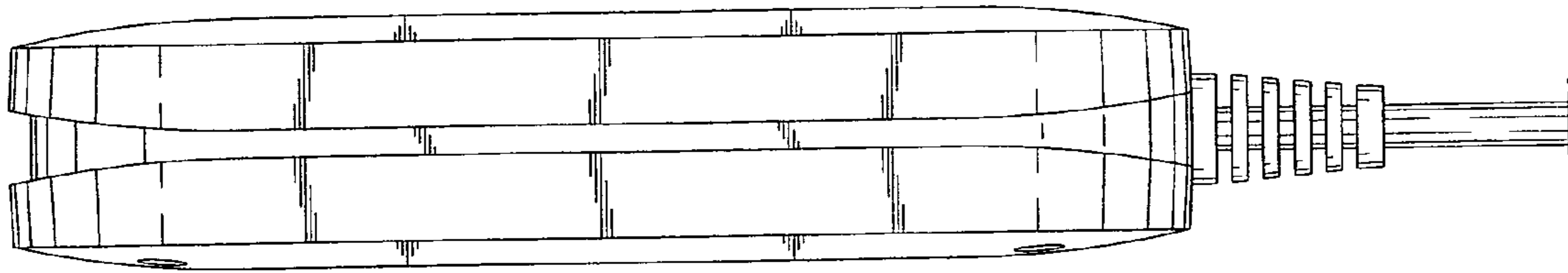


FIG. 2

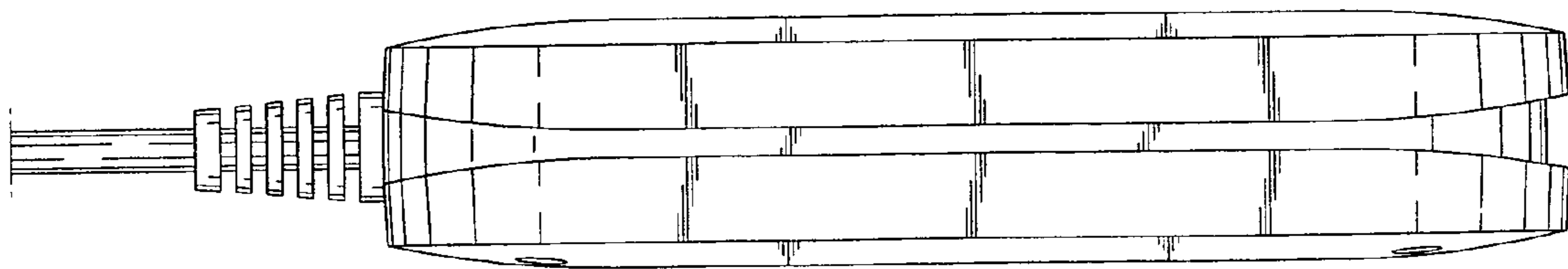


FIG. 3

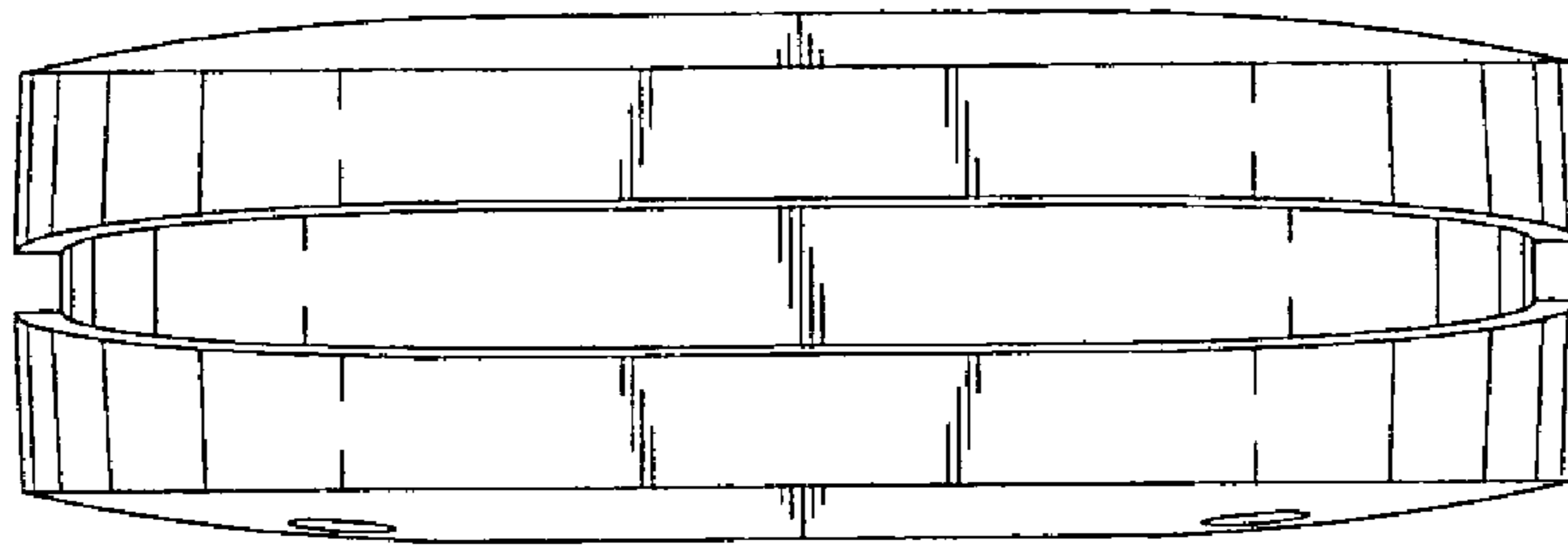


FIG. 4

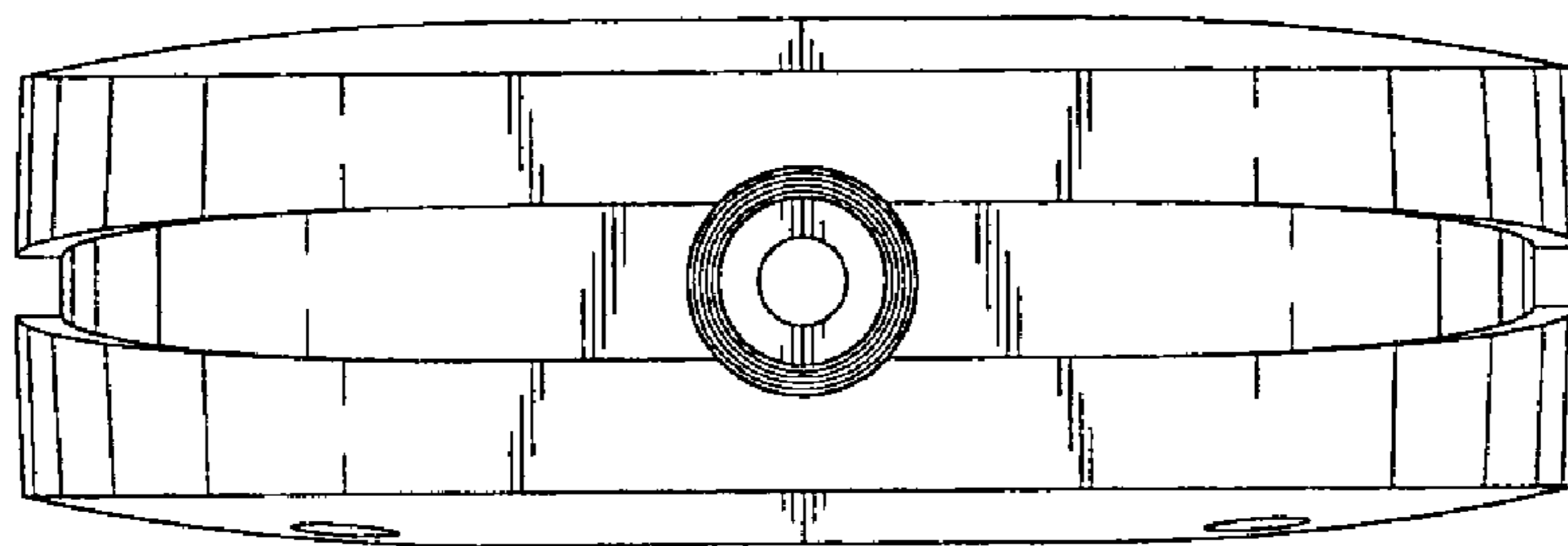


FIG. 5

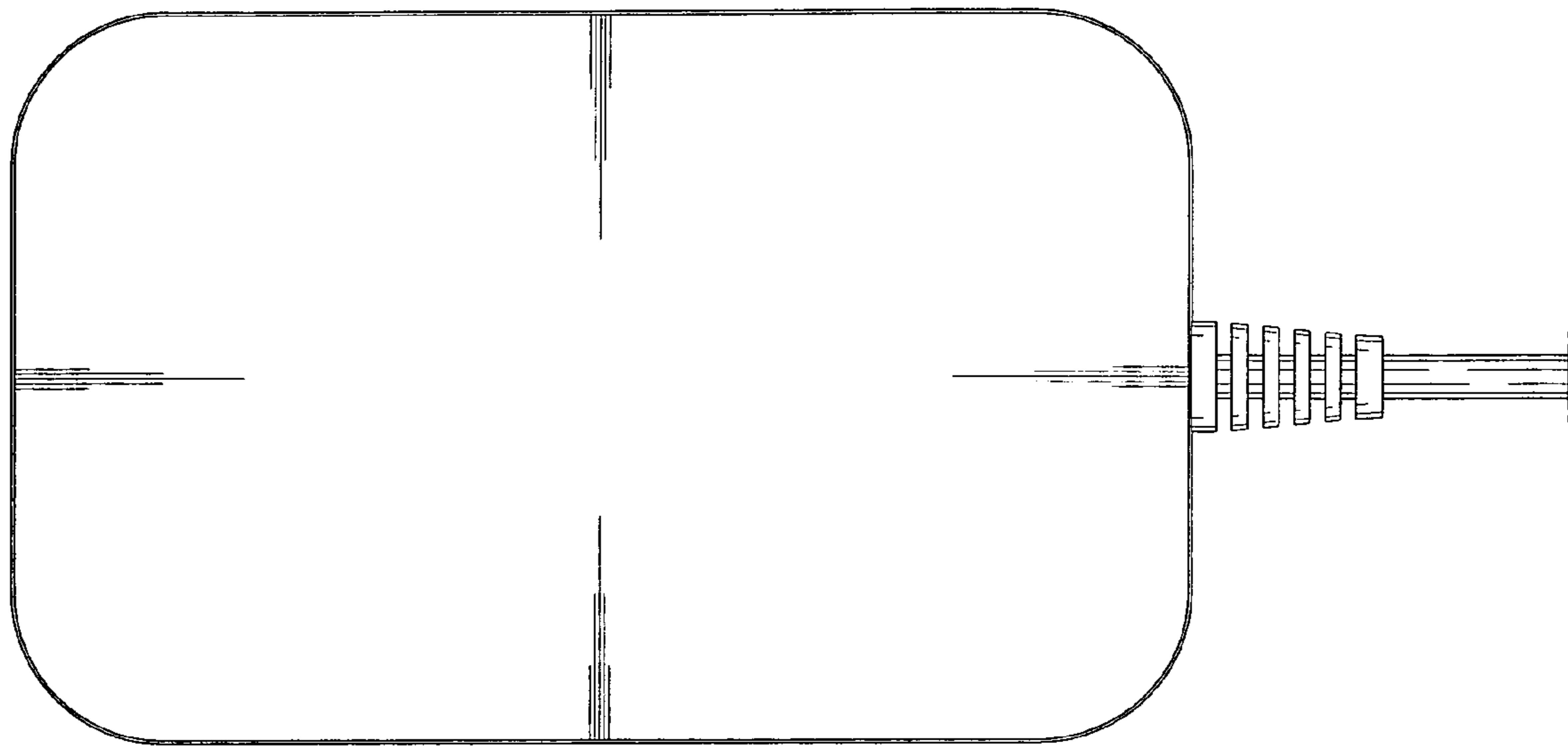


FIG. 6

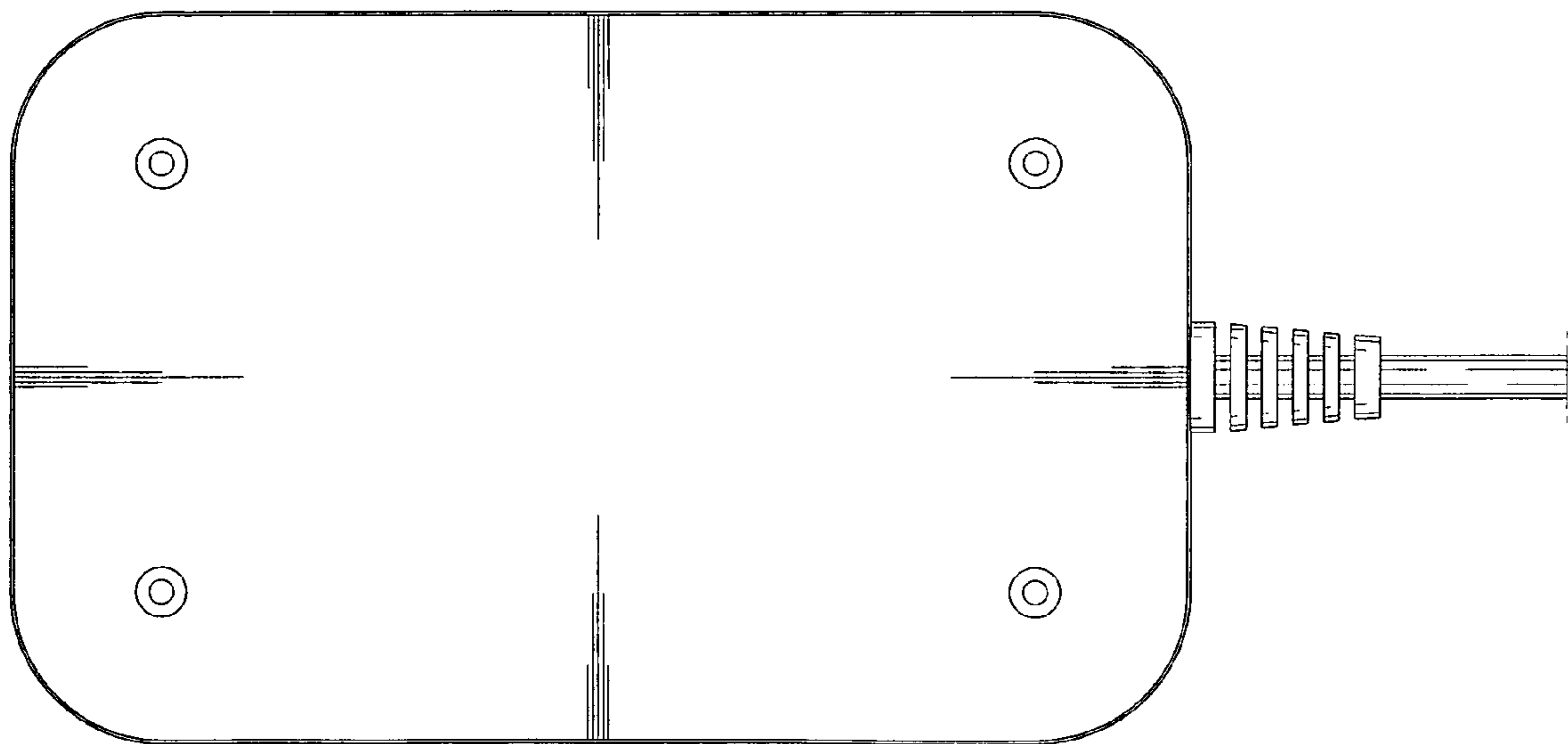


FIG. 7