



US00D596635S

(12) **United States Design Patent**  
**Owens et al.**

(10) **Patent No.:** **US D596,635 S**  
(45) **Date of Patent:** **\*\* Jul. 21, 2009**

(54) **WIRELESS ACCESS POINT**

(75) Inventors: **Craig Owens**, San Carlos, CA (US); **Leo Chiang**, Hsinchu (TW); **Steve Martin**, Pleasanton, CA (US); **Bart Burstein**, Palo Alto, CA (US)

(73) Assignee: **Ruckus Wireless, Inc.**, Sunnyvale, CA (US)

(\*\*) Term: **14 Years**

(21) Appl. No.: **29/307,082**

(22) Filed: **Mar. 27, 2008**

(51) **LOC (9) Cl.** ..... **14-02**

(52) **U.S. Cl.** ..... **D14/358**

(58) **Field of Classification Search** ..... D14/356, D14/358, 432, 433, 137, 138, 140, 155, 188, D14/217, 240, 299, 191; D13/110, 184; 439/488, 490, 901; 379/1.03, 38, 39, 42, 379/67.1, 88.17, 90.01, 93.01, 93.17, 142.07, 379/219, 220.01, 221.14, 221.15, 387.01, 379/397, 399.01, 419, 428.01, 457; 455/3.01, 455/3.05, 3.06, 426.1, 500, 73, 74, 556.1, 455/575.1, 89, 91, 95, 130, 132, 344, 347, 455/899, FOR. 254

See application file for complete search history.

(56) **References Cited**

**U.S. PATENT DOCUMENTS**

D246,712 S	12/1977	Shugrue	
D273,009 S	3/1984	Isaacs	
D351,841 S	10/1994	Blankenship et al.	
D379,993 S	6/1997	Devitt et al.	
D383,458 S	9/1997	Biasotti et al.	
D427,177 S	6/2000	Yamazaki	
D472,235 S	3/2003	Chen	
D478,070 S	8/2003	Nagai et al.	
D486,820 S	2/2004	Burns et al.	
D501,844 S	2/2005	Hirano	
D514,096 S	1/2006	Storti et al.	
D532,001 S	11/2006	Burke	
D572,250 S *	7/2008	Yang	D14/358

D580,422 S *	11/2008	Lee	D14/358
D580,437 S *	11/2008	Kiyomiya et al.	D14/358
D583,367 S *	12/2008	Chen	D14/358
D586,809 S *	2/2009	Jones et al.	D14/358
2002/0022483 A1	2/2002	Thompson et al.	

**OTHER PUBLICATIONS**

Markus Keidl et al. Reliable Web Service Execution and Deployment in Dynamic Environments. Univeritat Passau, Germany, pp. 104-118.

\* cited by examiner

*Primary Examiner*—Brian N Vinson

(74) *Attorney, Agent, or Firm*—Carr & Ferrell LLP

(57) **CLAIM**

The ornamental design for a wireless access point, as shown and described.

**DESCRIPTION**

FIG. 1 is a top, rear, and left side perspective view of a first embodiment of a wireless access point showing our new design;

FIG. 2 is a rear elevational view thereof;

FIG. 3 is a front elevational view thereof;

FIG. 4 is a left side elevational view thereof, the right side being a mirror image of that shown;

FIG. 5 is a top plan view thereof;

FIG. 6 is a bottom plan view thereof;

FIG. 7 is a top, rear, and left side perspective view of a second embodiment of a wireless access point showing our new design;

FIG. 8 is a rear elevational view thereof;

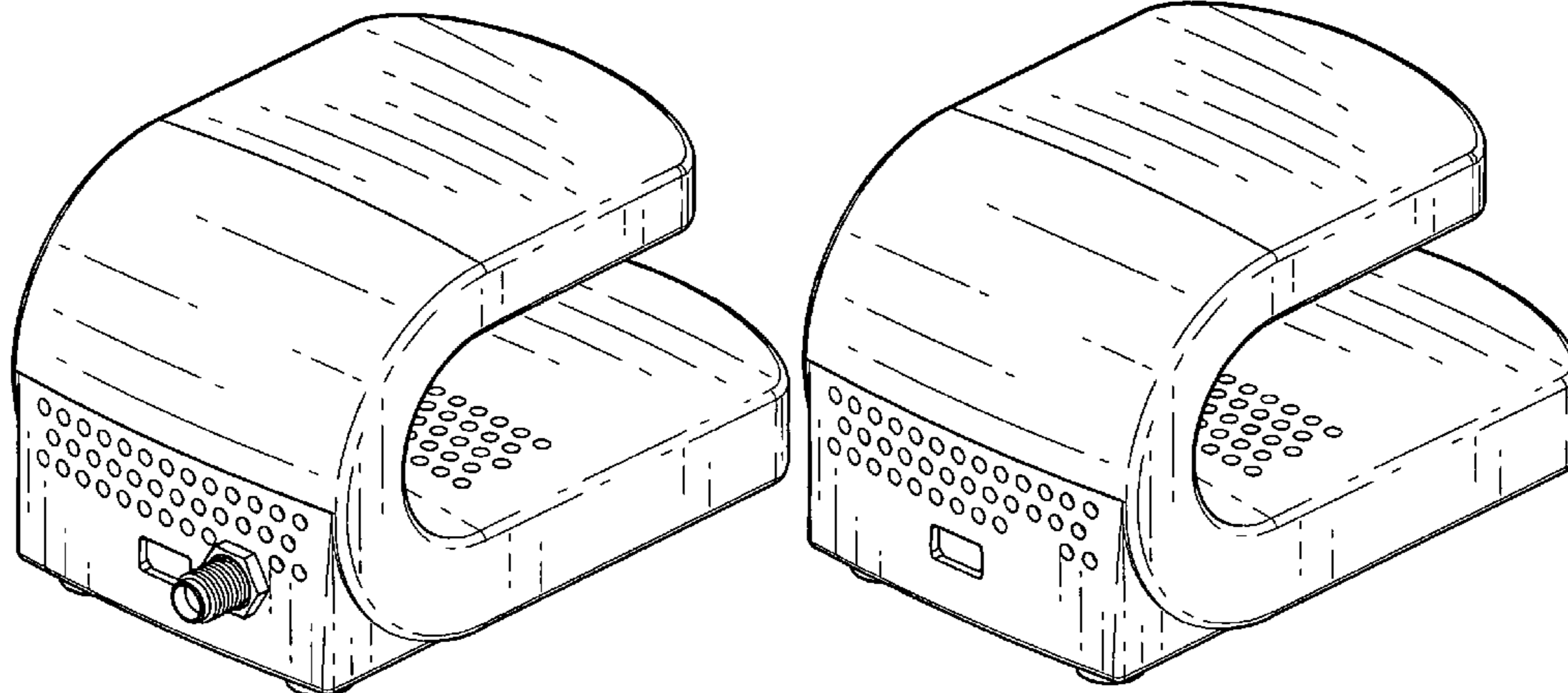
FIG. 9 is a front elevational view thereof;

FIG. 10 is a left side elevational view thereof, the right side being a mirror image of that shown;

FIG. 11 is a top plan view thereof; and,

FIG. 12 is a bottom plan view thereof.

**1 Claim, 6 Drawing Sheets**



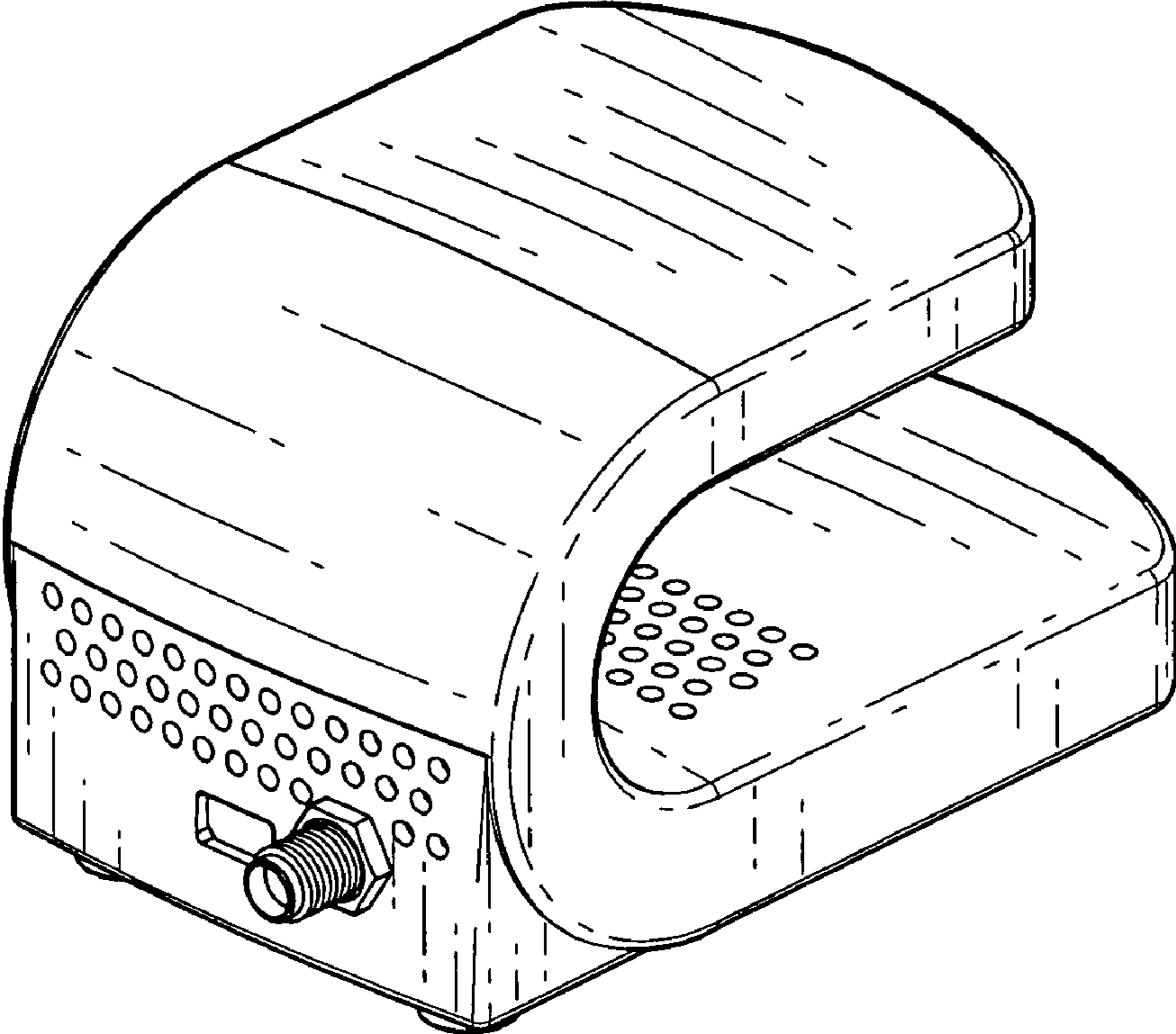


FIG. 1

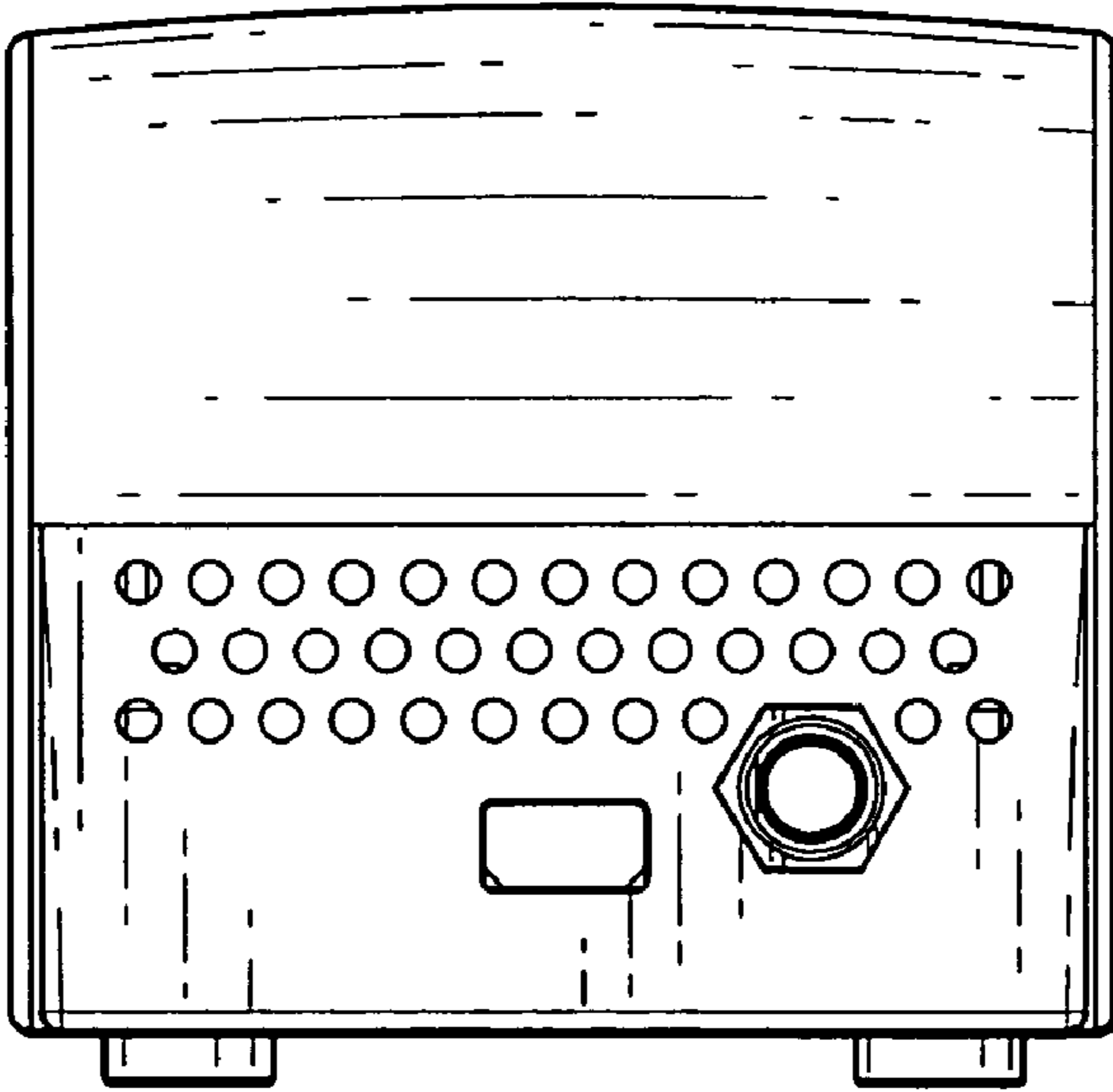
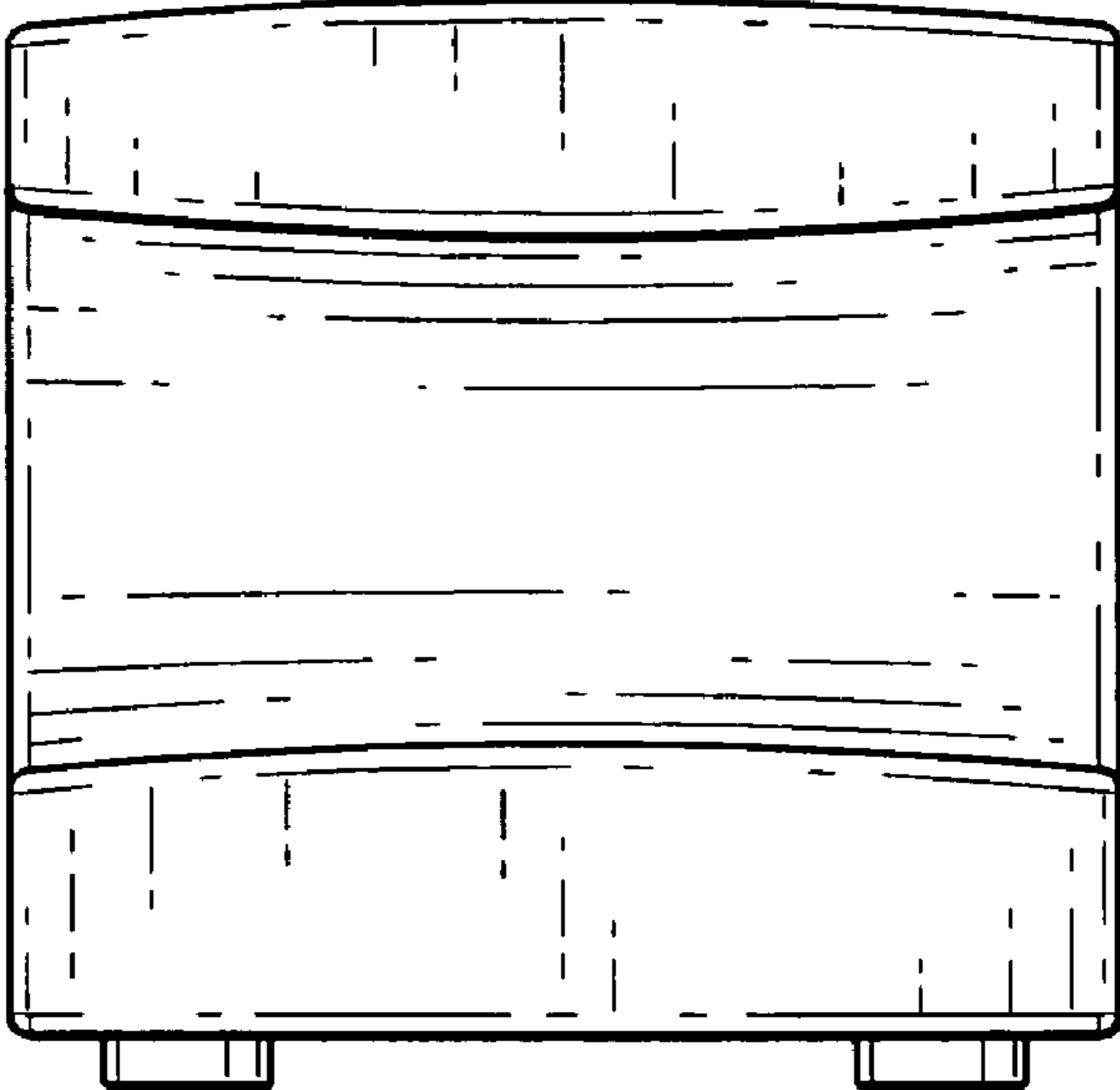
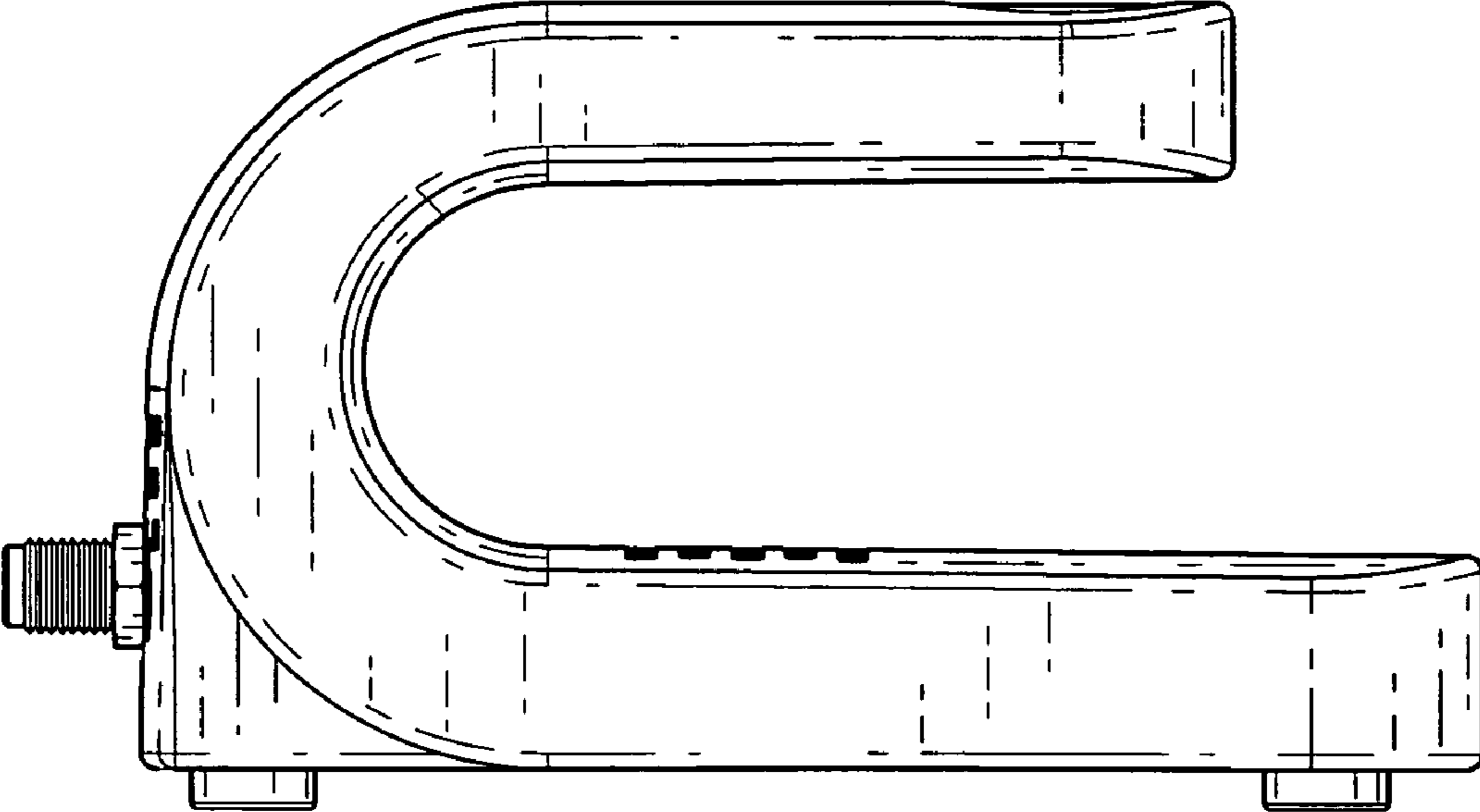


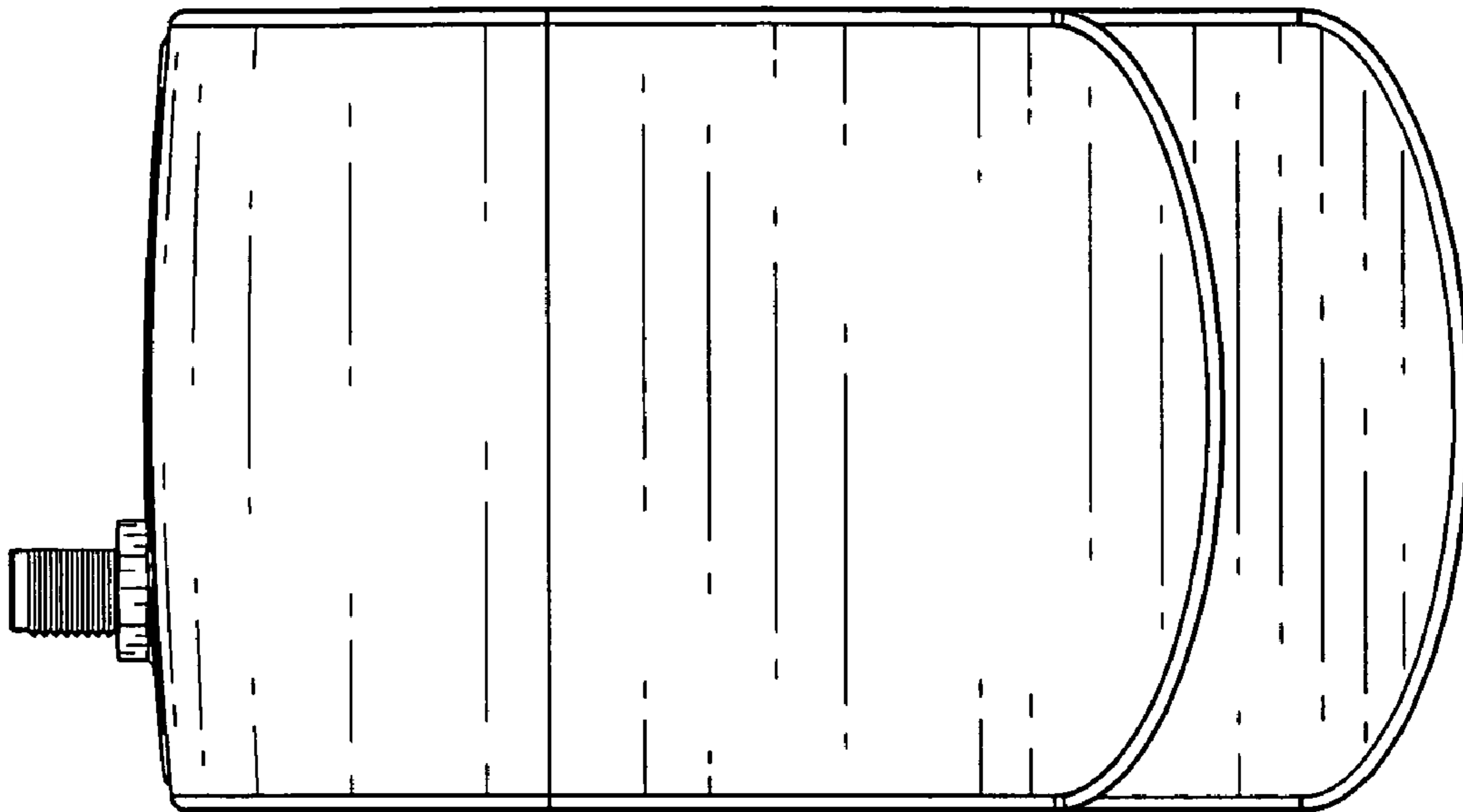
FIG. 2



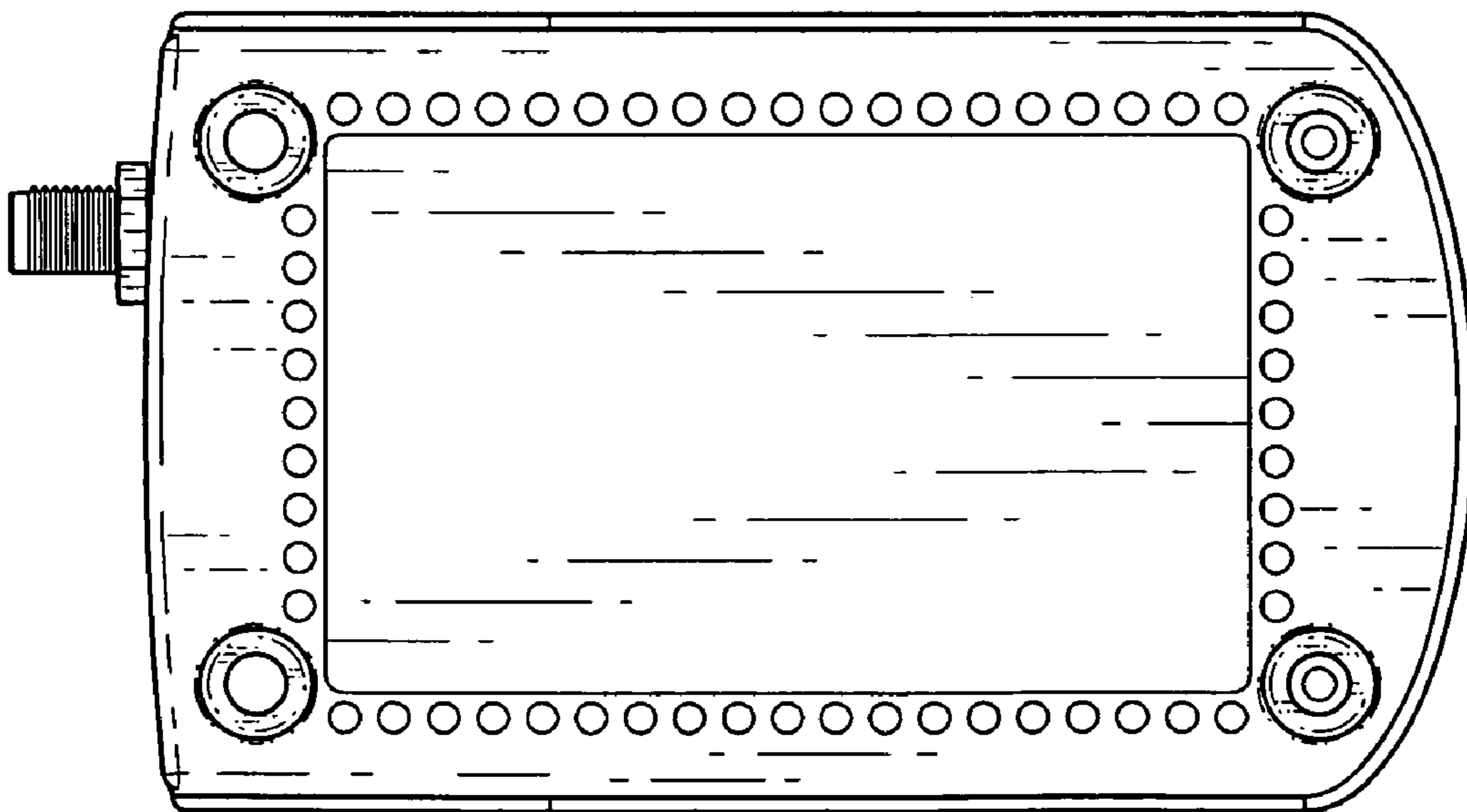
*FIG. 3*



*FIG. 4*

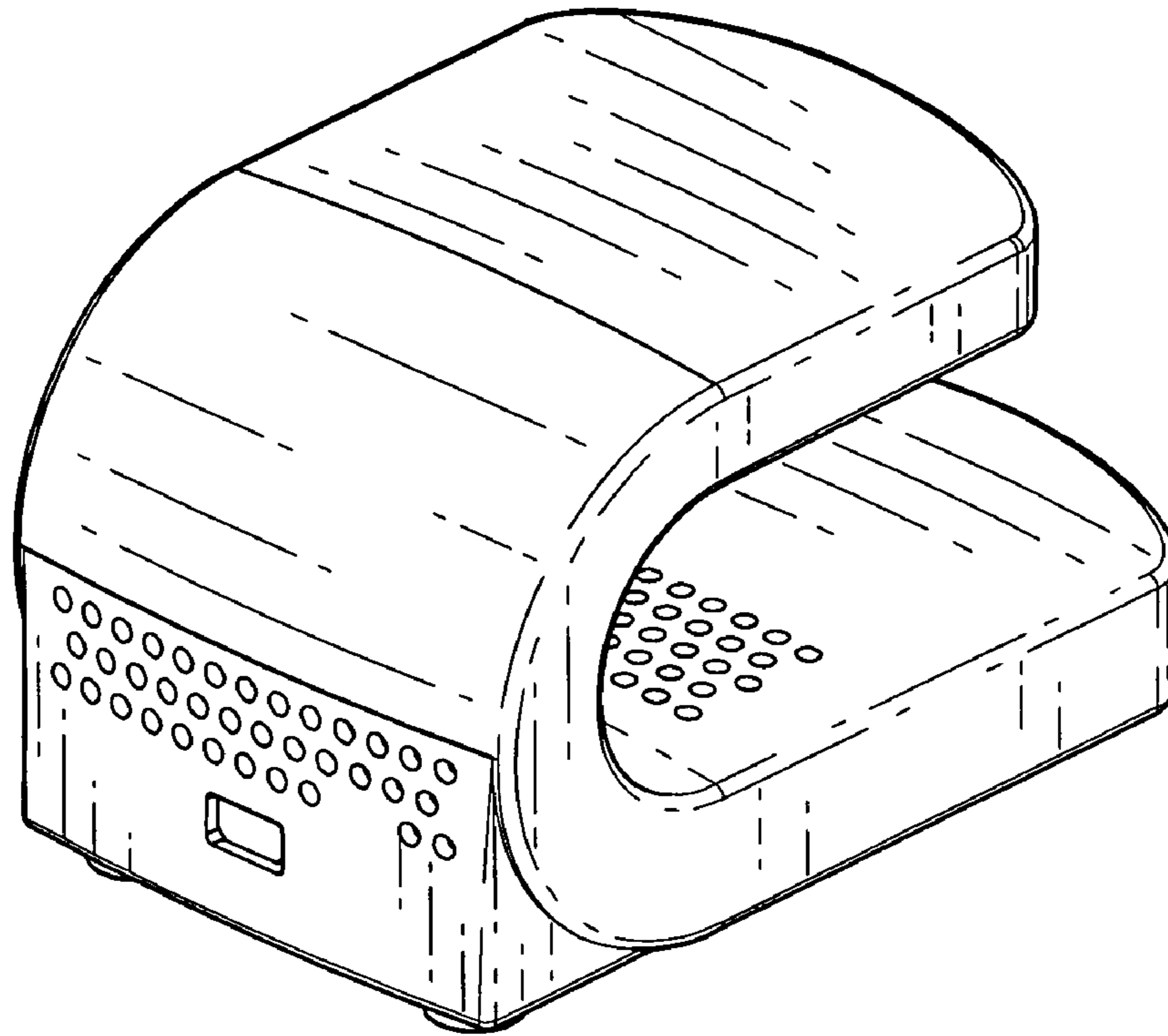


*FIG. 5*

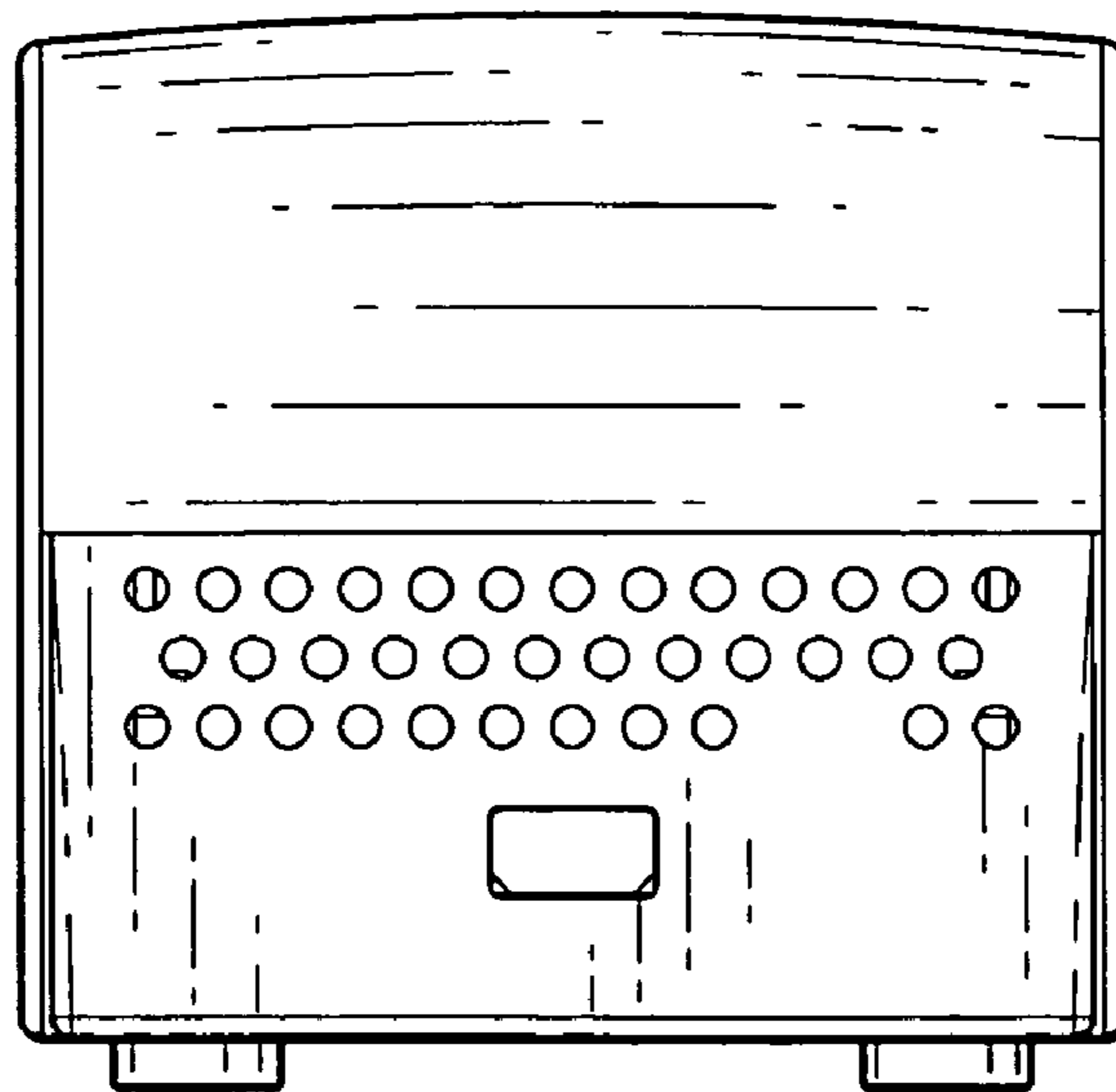


*FIG. 6*

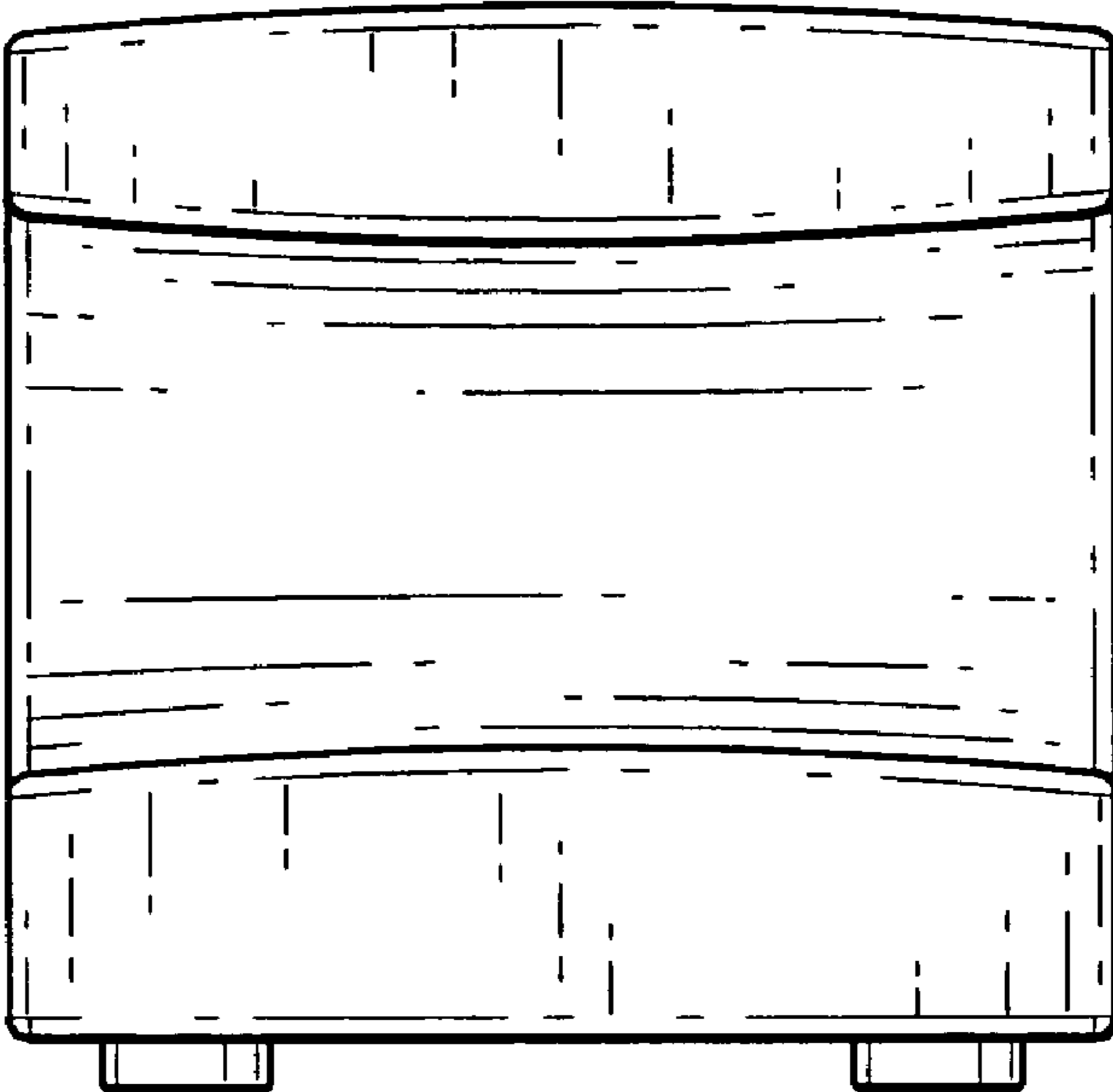




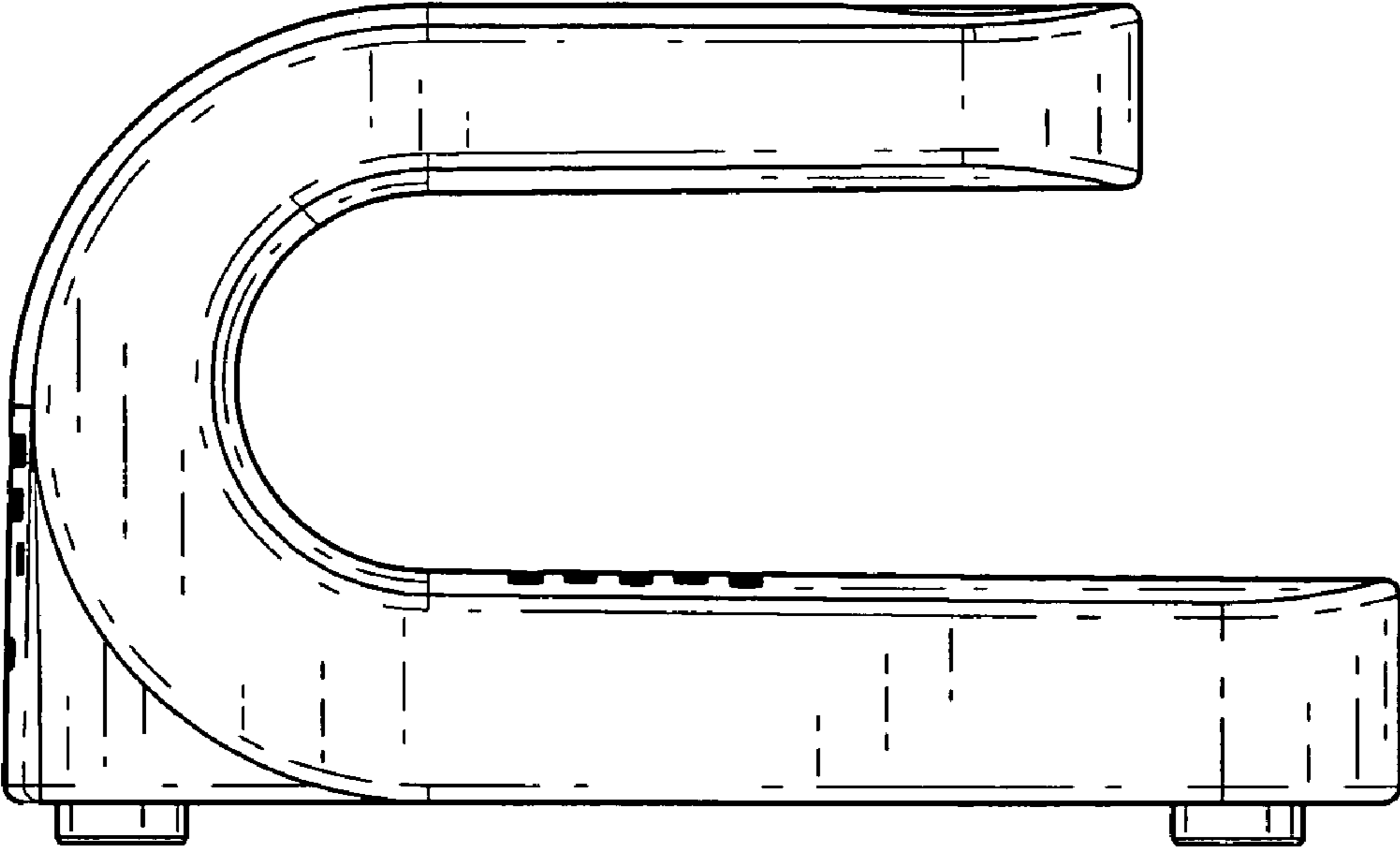
*FIG. 7*



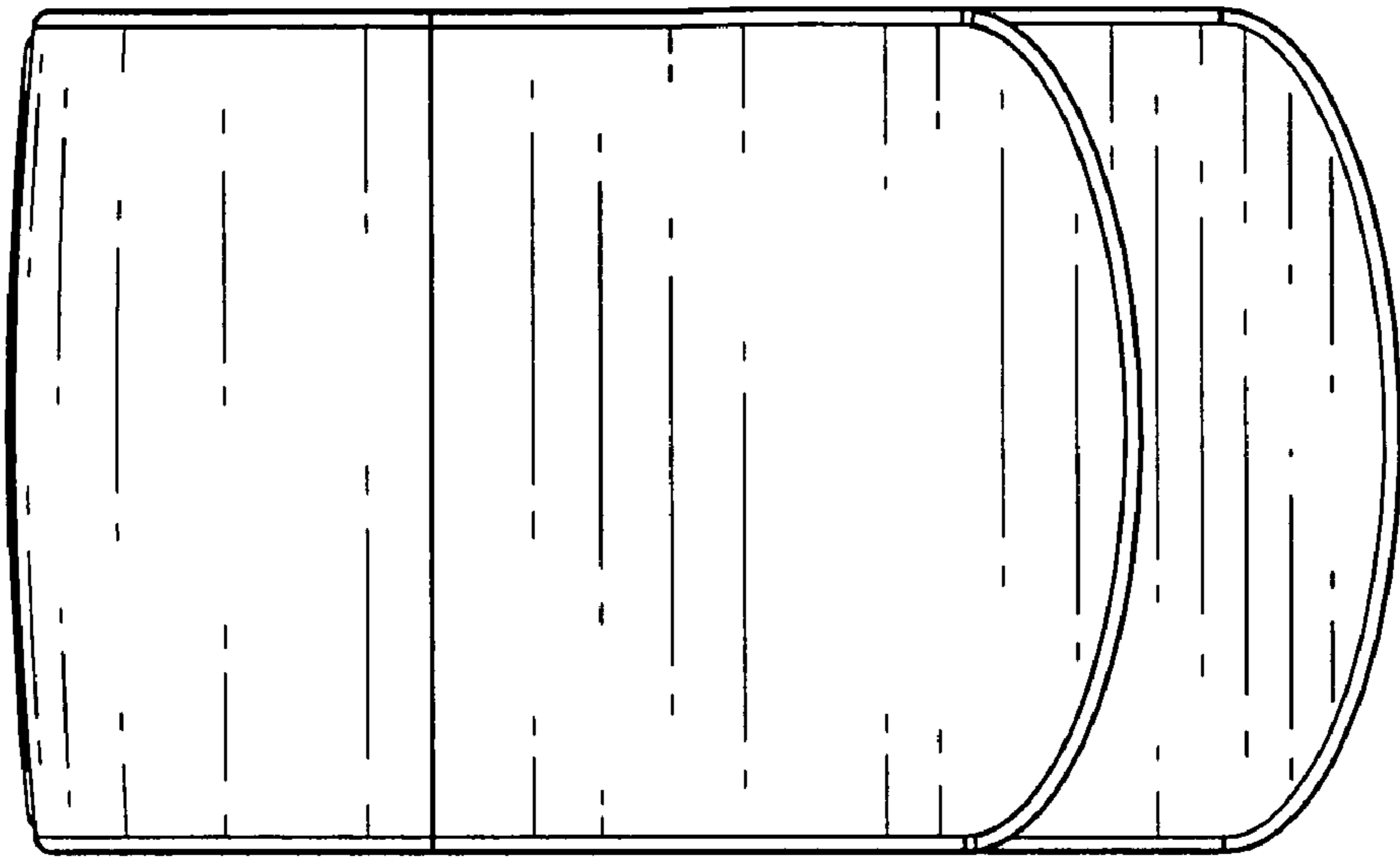
*FIG. 8*



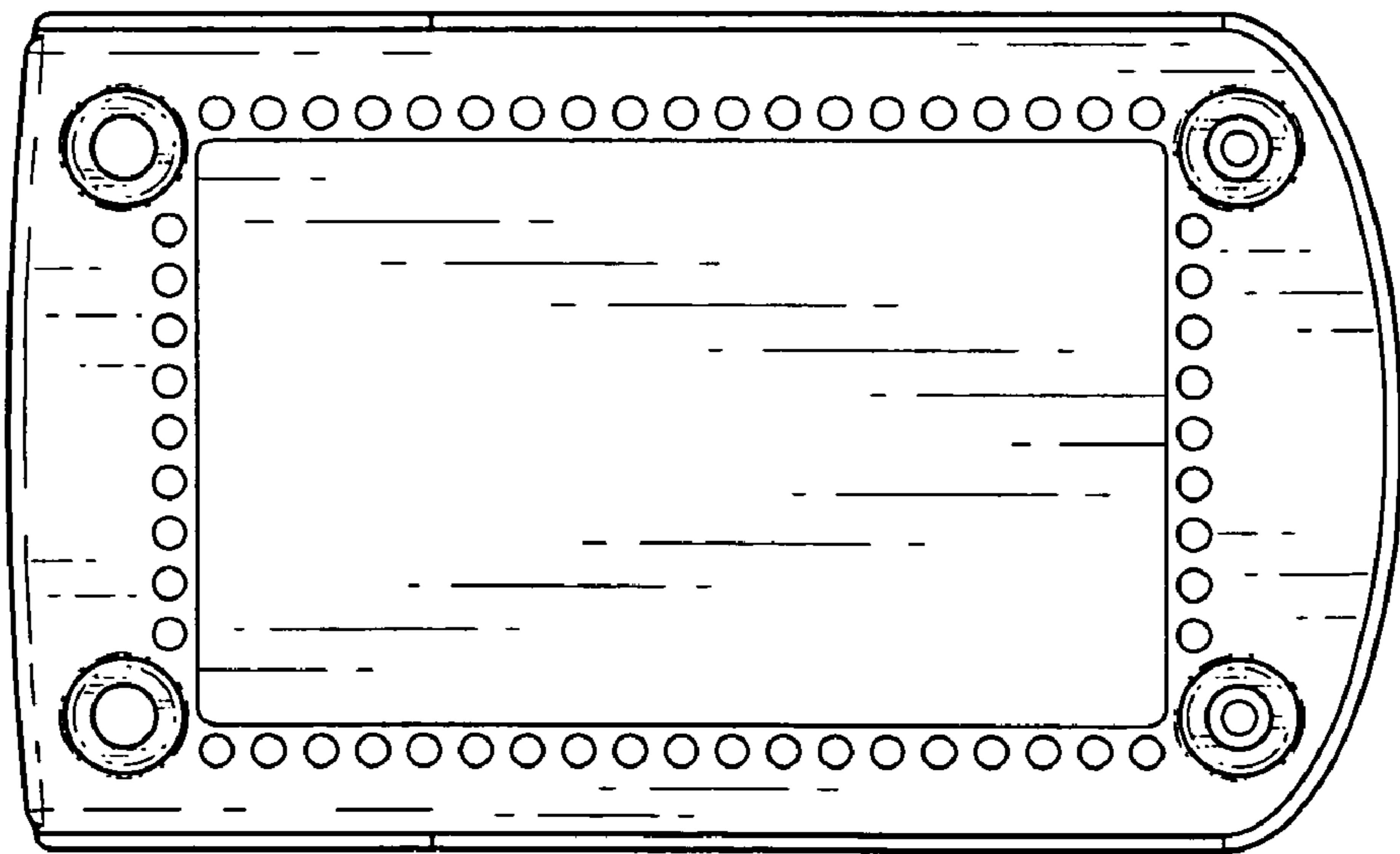
*FIG. 9*



*FIG. 10*



*FIG. 11*



*FIG. 12*