

US00D596630S

(12) **United States Design Patent**
Kaneta

(10) **Patent No.:** **US D596,630 S**
(45) **Date of Patent:** **** Jul. 21, 2009**

(54) **MOBILE PHONE**

(75) Inventor: **Naoe Kaneta**, Tokyo (JP)

(73) Assignee: **Sony Ericsson Mobile Communications Japan, Inc.**, Tokyo (JP)

(**) Term: **14 Years**

(21) Appl. No.: **29/300,694**

(22) Filed: **Apr. 28, 2008**

(30) **Foreign Application Priority Data**

Oct. 29, 2007	(JP)	2007-029762
Oct. 29, 2007	(JP)	2007-029763
Oct. 29, 2007	(JP)	2007-029764
Oct. 29, 2007	(JP)	2007-029765

(51) **LOC (9) Cl.** **14-03**

(52) **U.S. Cl.** **D14/247**

(58) **Field of Classification Search** D14/137,
D14/138 R, 138 AA, 138 AB, 138 AC, 138 AD,
D14/138 C, 138 G, 147, 191, 218, 247-248,
D14/341-347, 455, 496; D10/65, 78, 104;
D13/168; D18/7; 455/556.1, 566, 575.1,
455/575.3; 345/169

See application file for complete search history.

(56) **References Cited**

U.S. PATENT DOCUMENTS

D421,611 S *	3/2000	Nuovo	D14/248
D424,060 S *	5/2000	Baker et al.	D14/218
D430,558 S *	9/2000	Shindo	D14/247
D458,915 S	6/2002	Shintani		

(Continued)

FOREIGN PATENT DOCUMENTS

JP D1237571 S 4/2005

(Continued)

OTHER PUBLICATIONS

Sony Ericsson W900, announced Oct. 2005, [online], [retrieved on Feb. 16, 2007]. Retrieved from Internet ,<URL: http://www.gsmarena.com>.*

(Continued)

Primary Examiner—Jeffrey D Asch

Assistant Examiner—Bridget L Eland

(74) *Attorney, Agent, or Firm*—Rader, Fishman & Grauer, PLLC

(57) **CLAIM**

The ornamental design for a mobile phone, as shown and described.

DESCRIPTION

FIG. 1 is a perspective view of a mobile phone showing my new design;

FIG. 2 is a front elevational view thereof;

FIG. 3 is a right side elevational view thereof;

FIG. 4 is a left side elevational view thereof;

FIG. 5 is a bottom plan view thereof;

FIG. 6 is a cross sectional view thereof taken along a line 6—6 of FIG. 2;

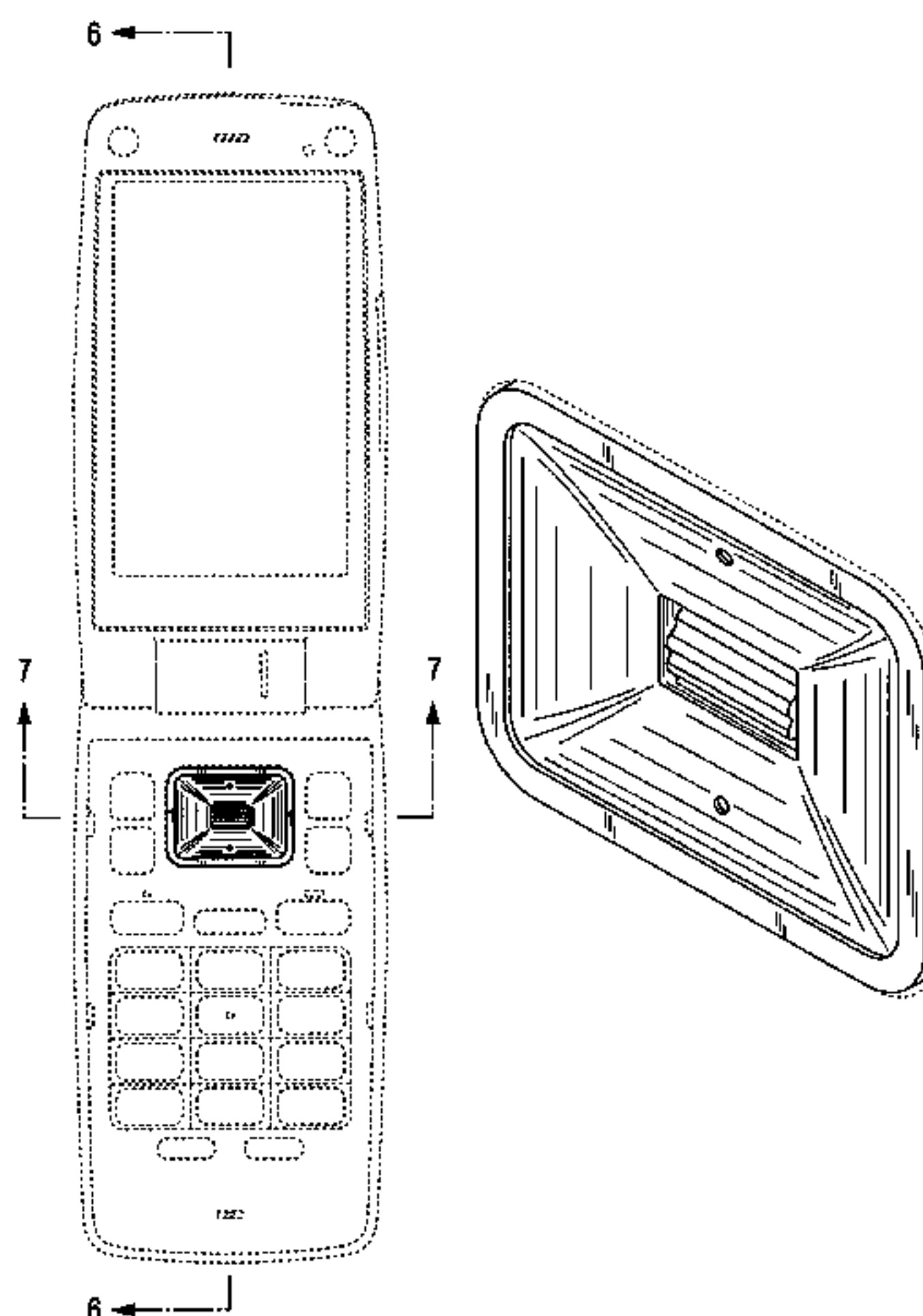
FIG. 7 is a cross sectional view thereof taken along a line 7—7 of FIG. 2;

FIG. 8 is an enlarged perspective view of the claimed portion of the mobile phone shown in FIGS. 1-7; and,

FIG. 9 is a cross sectional view of the mobile phone taken along lines 9—9 of FIG. 6.

The broken lines showing the remainder of the mobile phone are directed to environment and are for illustrative purposes only; the broken lines form no part of the claimed design.

1 Claim, 9 Drawing Sheets



US D596,630 S

Page 2

U.S. PATENT DOCUMENTS

D473,564 S 4/2003 Yano
D477,317 S 7/2003 Ogasawara
D482,029 S 11/2003 Yoneda
6,727,891 B2* 4/2004 Moriya et al. 345/169
D502,700 S 3/2005 Takuma
D502,701 S 3/2005 Takuma
D509,500 S * 9/2005 Watanabe et al. D14/247
D516,565 S * 3/2006 O'Neil et al. D14/439
D519,486 S * 4/2006 Lee et al. D14/138 AB
D524,280 S * 7/2006 Julian D14/147
D525,226 S * 7/2006 Jang D14/138 AD
D528,526 S * 9/2006 Shin D14/138 AD
D530,297 S * 10/2006 Moon et al. D14/138 G
D535,638 S * 1/2007 Tanaka et al. D14/203.3
D542,285 S * 5/2007 O'Neil et al. D14/247
D548,213 S * 8/2007 Lee et al. D14/138 AC
D548,710 S 8/2007 Lee et al.
D548,718 S * 8/2007 Davis D14/138 AA
D554,101 S * 10/2007 Hu D14/138 AA
D555,617 S * 11/2007 Yang et al. D14/138 AA
D555,621 S * 11/2007 Seo D14/138 AA
D556,170 S * 11/2007 Lee et al. D14/138 AA
D559,825 S 1/2008 Park et al.
D560,038 S 1/2008 VanErmen
D565,007 S * 3/2008 Nara D14/138 AB
D565,533 S * 4/2008 Kim et al. D14/138 AD
D565,555 S * 4/2008 Goto D14/218
D576,130 S * 9/2008 Kim et al. D14/138 AB
D576,600 S * 9/2008 Kim et al. D14/138 AB
D576,993 S * 9/2008 Park et al. D14/138 AA
D578,981 S * 10/2008 Park et al. D14/138 R
D579,438 S * 10/2008 Kim et al. D14/138 R
2001/0004584 A1* 6/2001 Aquilar et al. 455/90

2002/0086698 A1* 7/2002 Sawada et al. 455/550
2004/0198460 A1* 10/2004 Sakuta et al. 455/566
2007/0072659 A1* 3/2007 Ryu 455/575.3
2007/0271529 A1* 11/2007 Kim et al. 715/816
2007/0298849 A1* 12/2007 Kang et al. 455/575.1
2008/0032637 A1* 2/2008 Ladouceur et al. 455/90.3

FOREIGN PATENT DOCUMENTS

JP D1271358 S 5/2006
JP D1294481 S 2/2007
TW D117551 6/2007

OTHER PUBLICATIONS

Samsung Z550, announced Mar. 2006, [online], [retrieved on Feb. 8, 2007]. Retrieved from Internet ,<URL: <http://www.gsmarena.com>>.*

Office Action of Design Patent Application No. D2007-029762 mailed on Apr. 7, 2008 (Japan).

Office Action of Design Patent Application No. D2007-029763 mailed on Apr. 7, 2008 (Japan).

Office Action of Design Patent Application No. D2007-029764 mailed on Apr. 7, 2008 (Japan).

Office Action of Design Patent Application No. D2007-029765 mailed on Apr. 7, 2008 (Japan).

Patent Office Prior Art No. HJ18026024, "W51S/au/Sony Ericsson", <http://www.sonyericsson.co.jp/product/au/wu51s/color.html>, Japan (Mar. 17, 2007).

Patent Office Prior Art No. HH19312500, US-D548710-S (Aug. 14, 2007).

Patent Office Prior Art No. HB17010682, "Stereo Review's Sound & Vision No. 8", p. 69, Japan.

Office Action of Design Patent Application No.: 097302356 mailed on Feb. 4, 2009 (Taiwan).

* cited by examiner

FIG.1

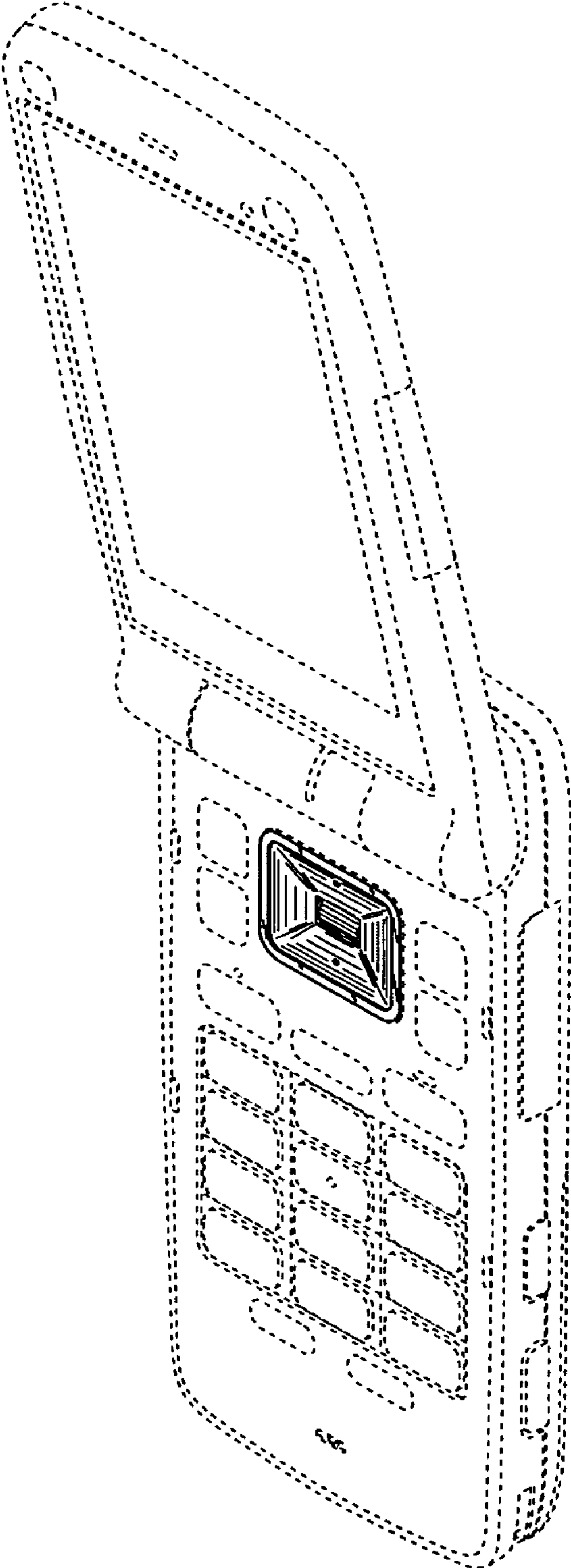


FIG.2

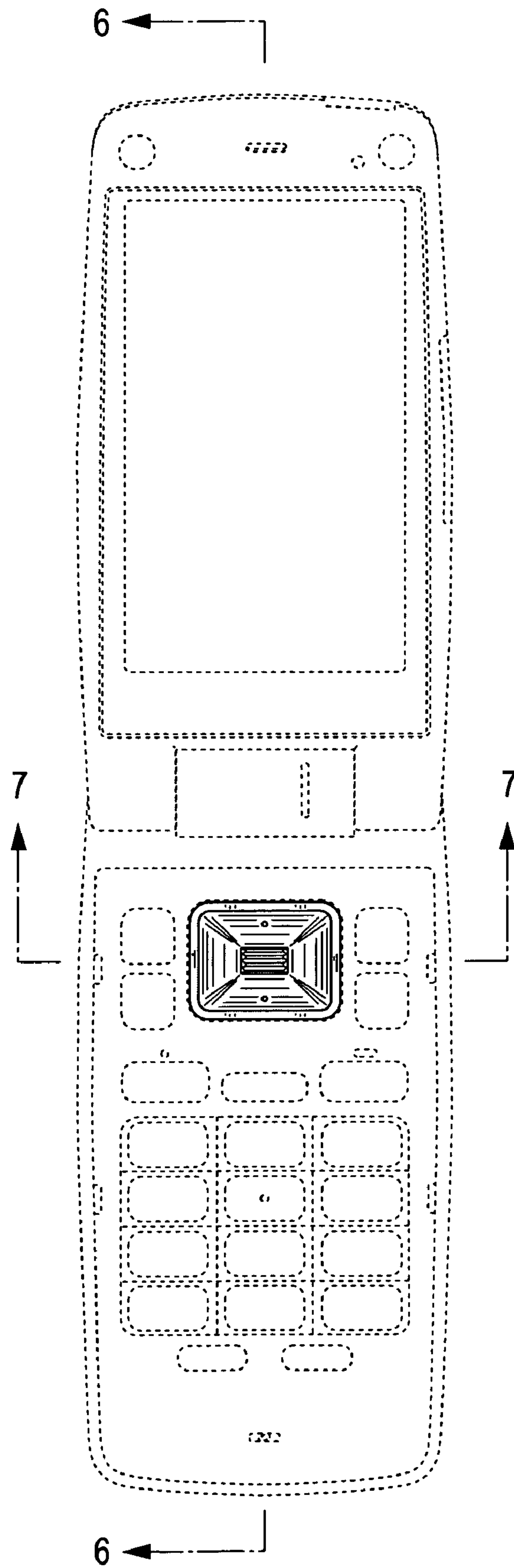


FIG.3

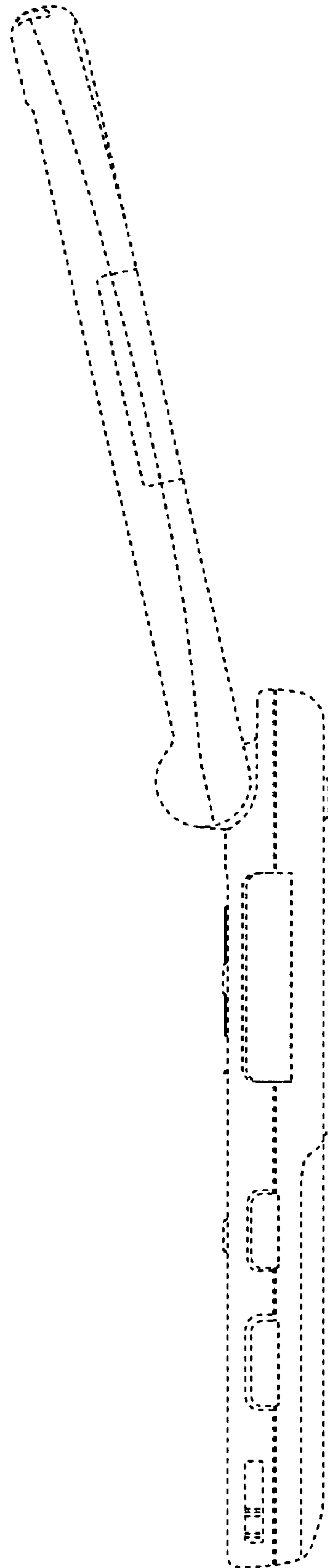


FIG.4

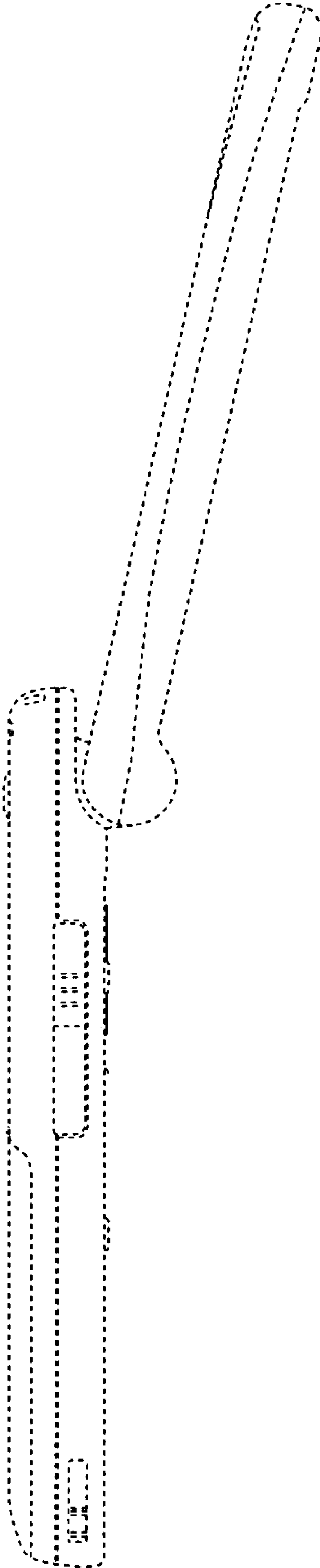


FIG.5

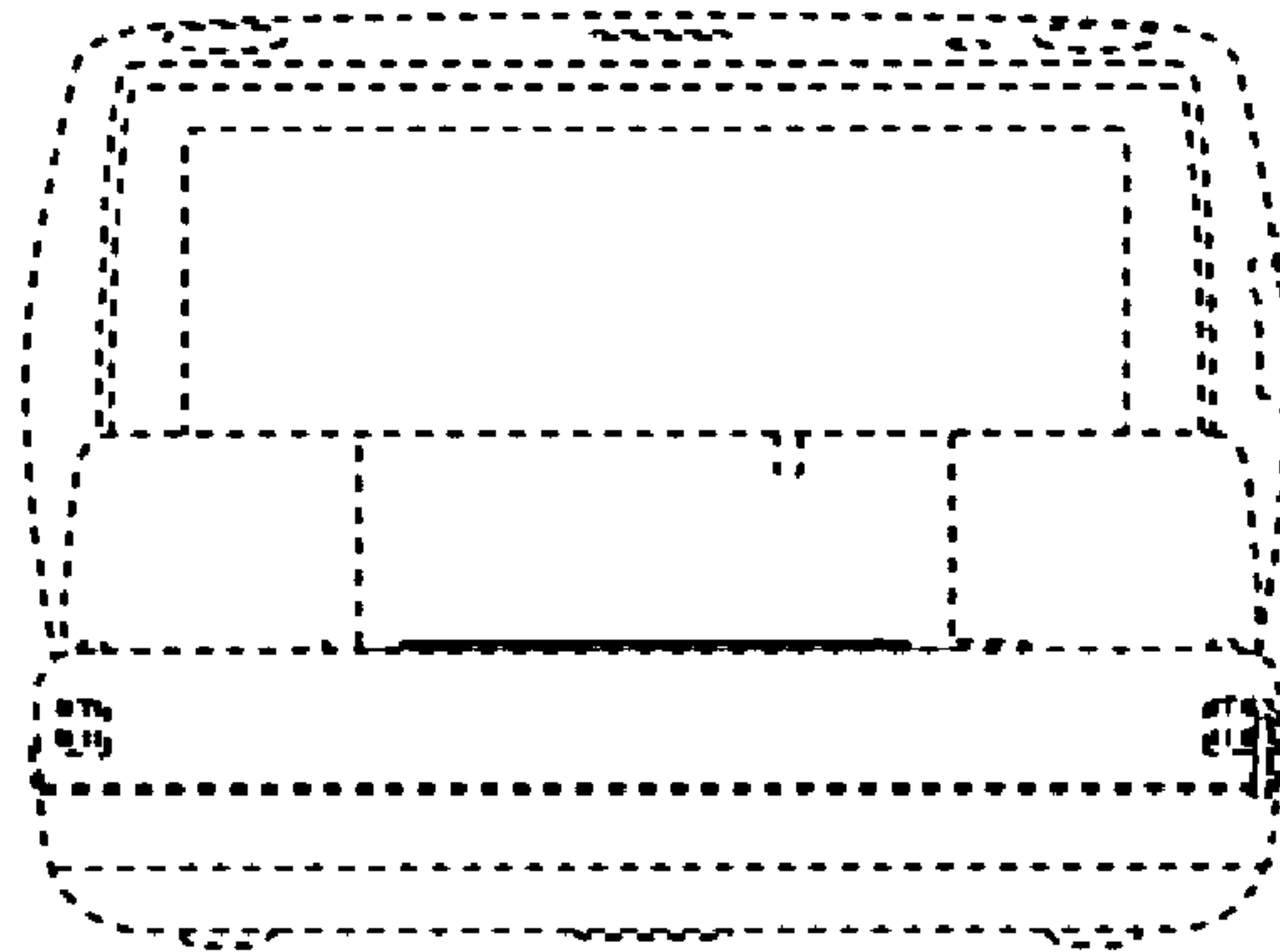


FIG.6

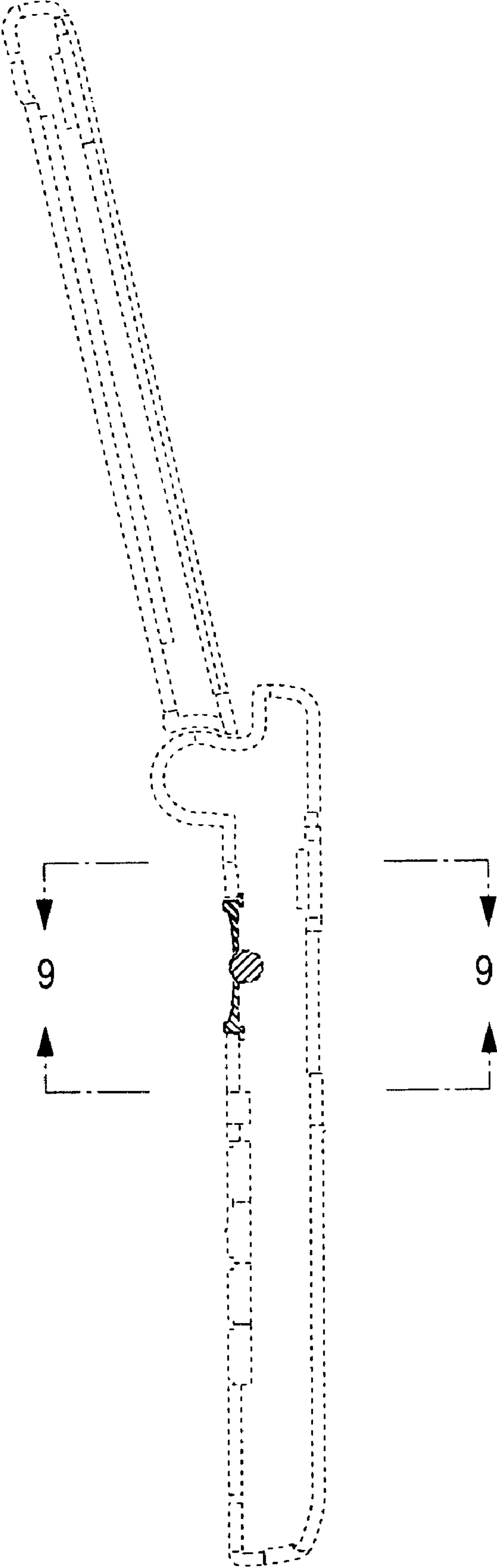


FIG.7

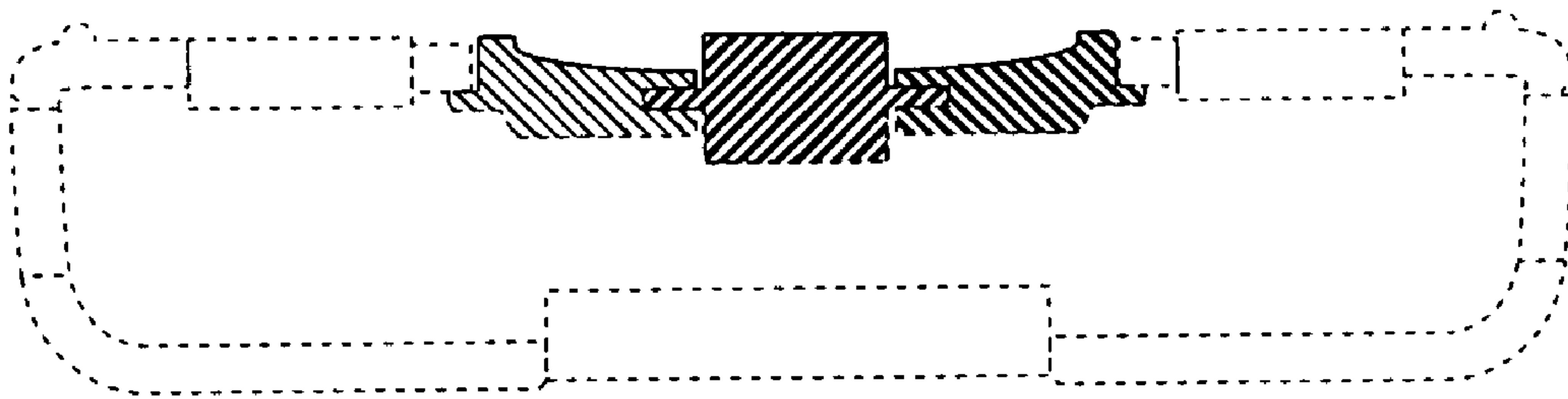


FIG.8

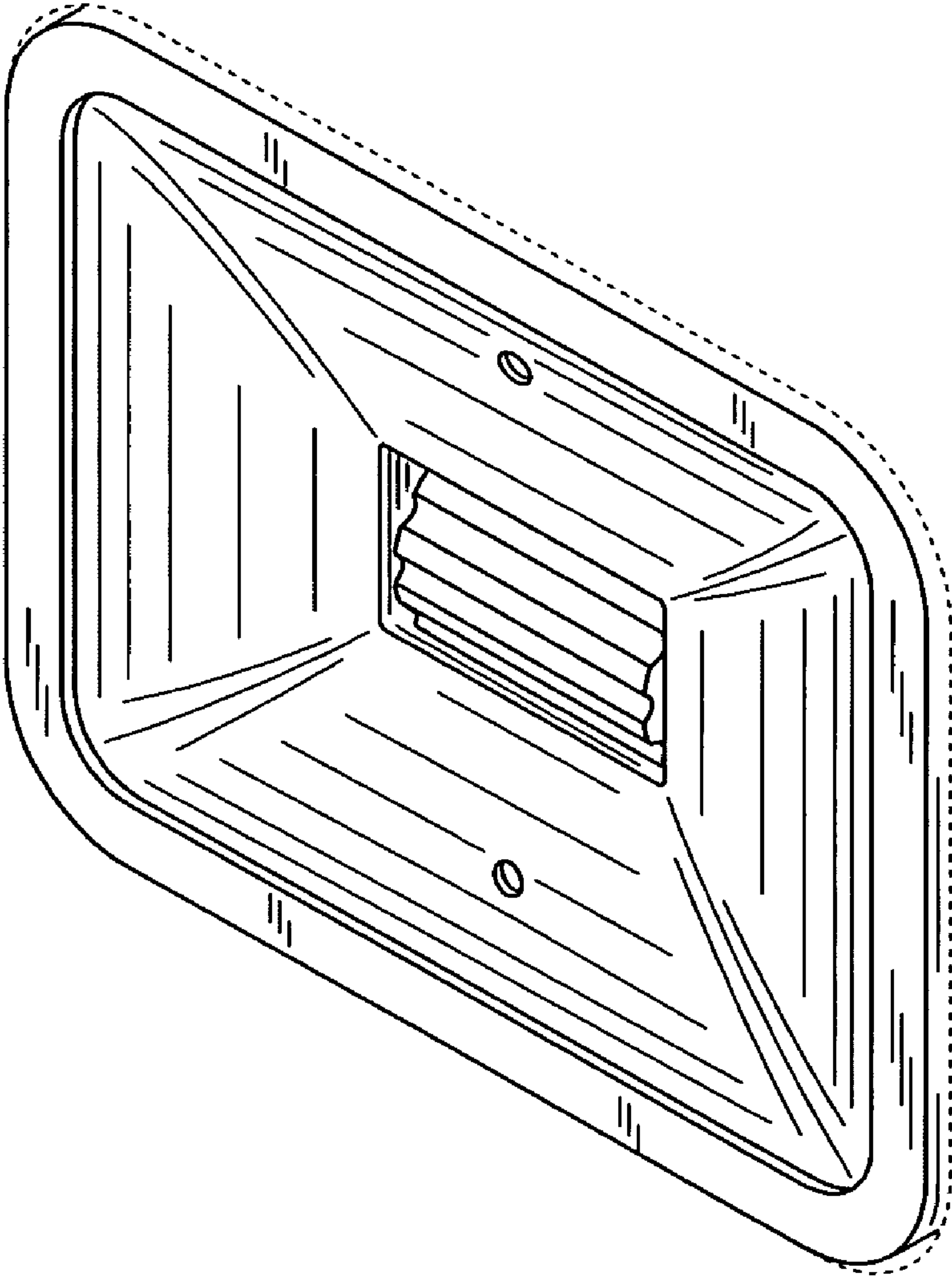


FIG.9

