



US00D596629S

(12) **United States Design Patent**
Matsuoka

(10) **Patent No.:** **US D596,629 S**
(45) **Date of Patent:** **** Jul. 21, 2009**

(54) **SET OF BUTTONS FOR A MOBILE COMPUTING DEVICE**

D491,158 S 6/2004 Mou et al.

(Continued)

(75) Inventor: **Yoshimichi Matsuoka**, Cupertino, CA (US)

FOREIGN PATENT DOCUMENTS

(73) Assignee: **Palm, Inc.**, Sunnyvale, CA (US)

WO DM/054225 2/2000

(Continued)

(**) Term: **14 Years**

OTHER PUBLICATIONS

(21) Appl. No.: **29/277,534**

Eten P300, announced 2nd quarter 2004, [online], [retrieved on Dec. 13, 2007]. Retrieved from Internet ,<URL: <http://www.gsmarena.com>>.*

(22) Filed: **Feb. 28, 2007**

(Continued)

(51) **LOC (9) Cl.** **14-03**

(52) **U.S. Cl.** **D14/247**

(58) **Field of Classification Search** D14/137, D14/138, 147, 191, 218, 247–248, 341–347, D14/455–456, 496; D10/65, 78, 104; D13/168; D18/7; 455/556.1, 566, 575.1, 575.3; 345/169
See application file for complete search history.

Primary Examiner—Jeffrey D Asch
Assistant Examiner—Bridget L Eland

(74) *Attorney, Agent, or Firm*—Shemwell Mahamedi LLP

(57) **CLAIM**

The ornamental design for a set of buttons for a mobile computing device, as shown and described.

(56) **References Cited**

DESCRIPTION

U.S. PATENT DOCUMENTS

D277,252 S	1/1985	Gulotta	
D410,468 S	6/1999	Kazama	
D433,672 S	11/2000	Kobayashi	
6,307,537 B1	10/2001	Oowada	
D450,313 S	11/2001	Koinuma	
D456,794 S *	5/2002	Laverick et al.	D14/138
D456,798 S	5/2002	Kolinen	
D459,332 S	6/2002	Peiker	
D461,185 S	8/2002	Ando	
D463,788 S	10/2002	Smith et al.	
D472,894 S	4/2003	Kim et al.	
D476,328 S	6/2003	Miao et al.	
D476,329 S	6/2003	Miao et al.	
D477,596 S	7/2003	Hayes	
D479,234 S	9/2003	Tanaka et al.	
D479,513 S	9/2003	Bricaud et al.	
D480,374 S	10/2003	Toor et al.	
D484,135 S	12/2003	Netzel et al.	
D484,863 S	1/2004	Chan	
D485,819 S *	1/2004	Ahlgren	D14/138
D488,468 S	4/2004	Hu	

FIG. 1 is a front view of a set of buttons for a mobile computing device;

FIG. 2 is a first isometric view thereof;

FIG. 3 is a second isometric view thereof;

FIG. 4 is a front view of the set of buttons for a mobile computing device of FIG. 1 in an alternate position on a different portion of a non-claimed device;

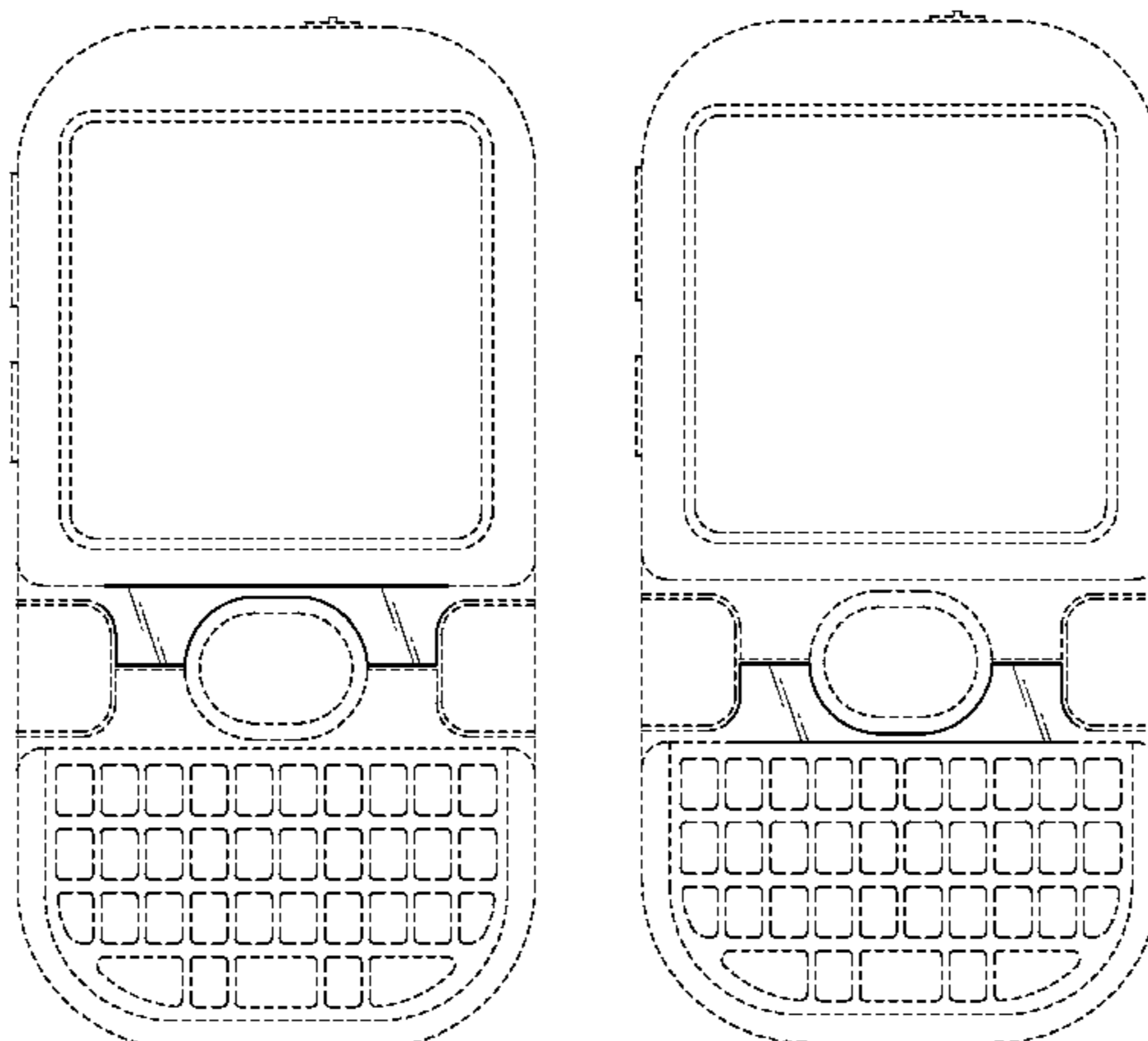
FIG. 5 is a first isometric view thereof; and,

FIG. 6 is a second isometric view thereof.

The broken lines showing the non-claimed portions of the set of buttons and the outline of the mobile computing device are directed to environment and are for illustrative purposes only and form no part of the claimed design.

The open ends of the claimed surfaces, shown without a clear boundary in FIGS. 1–6, continue up to a non-shown line formed by respectively connecting the ends of the two sets of solid lines at each end of the design.

1 Claim, 6 Drawing Sheets



US D596,629 S

U.S. PATENT DOCUMENTS

D492,657 S 7/2004 Jensfelt
 D493,451 S * 7/2004 Wada D14/247
 D494,151 S * 8/2004 Walliser et al. D14/138
 6,785,395 B1 8/2004 Arneson et al.
 D496,642 S 9/2004 Harries et al.
 D496,655 S 9/2004 Harries et al.
 D496,921 S 10/2004 Hwang
 D500,992 S 1/2005 Shen et al.
 D501,475 S 2/2005 Kim
 D506,754 S 6/2005 Schlieffers et al.
 D508,046 S 8/2005 Suzuki
 D509,215 S * 9/2005 Han et al. D14/343
 D513,503 S 1/2006 Huang
 D513,741 S 1/2006 Jensfelt
 D515,059 S 2/2006 Wu
 D517,555 S 3/2006 Disch
 D518,820 S 4/2006 Hawkins et al.
 D519,094 S 4/2006 Helin
 D519,502 S 4/2006 Hawkins et al.
 D519,998 S 5/2006 Park
 D521,023 S 5/2006 Kim et al.
 D524,786 S 7/2006 Paradise et al.
 D525,225 S 7/2006 Lee
 D526,300 S * 8/2006 Lee D14/138
 D528,095 S * 9/2006 Kwon et al. D14/138
 D528,532 S * 9/2006 Dimitriadis et al. D14/138
 D528,542 S 9/2006 Luminosu et al.
 7,102,620 B2 9/2006 Harries et al.
 D529,471 S * 10/2006 Park D14/138
 D529,488 S 10/2006 Uchida
 D529,891 S * 10/2006 Hyun et al. D14/138
 D529,909 S * 10/2006 Daw et al. D14/346
 D538,252 S 3/2007 Joung
 D539,257 S 3/2007 Obata et al.
 D539,306 S 3/2007 Naruki
 D539,775 S 4/2007 Park et al.
 D539,778 S 4/2007 Yeh et al.
 D540,765 S 4/2007 Pritchard et al.
 D541,247 S 4/2007 Lee et al.
 D541,290 S 4/2007 Swanson et al.
 D542,257 S * 5/2007 Ahn et al. D14/138
 D542,765 S 5/2007 Cho et al.
 D543,171 S 5/2007 Kim et al.
 D543,177 S * 5/2007 Kim et al. D14/138
 D543,966 S 6/2007 Peng et al.
 D543,967 S 6/2007 Peng
 D545,289 S * 6/2007 Wang D14/138
 D546,795 S 7/2007 Kim et al.
 D546,806 S 7/2007 Cho et al.
 D547,296 S 7/2007 Lin
 D548,218 S * 8/2007 Hong et al. D14/138
 D548,717 S 8/2007 Davis
 D548,732 S * 8/2007 Cebe et al. D14/341
 D549,200 S 8/2007 Park et al.
 D549,205 S 8/2007 Cho
 D549,679 S 8/2007 Park et al.
 D550,182 S 9/2007 Kim et al.
 D550,641 S 9/2007 Wang
 D552,069 S * 10/2007 Lee et al. D14/138
 D552,582 S 10/2007 Moon et al.
 D554,097 S 10/2007 Lee
 D554,634 S 11/2007 Huang et al.
 D555,132 S 11/2007 Kim et al.
 D555,133 S 11/2007 Kim et al.
 D555,169 S 11/2007 Shimizu et al.
 D555,618 S 11/2007 Mursalie et al.
 D555,621 S 11/2007 Seo
 D555,624 S 11/2007 Lee et al.
 D556,177 S 11/2007 Kim et al.
 D556,178 S 11/2007 Kim et al.
 D556,725 S 12/2007 Kim et al.

D556,749 S 12/2007 Rak et al.
 D557,243 S 12/2007 Kim et al.
 D557,245 S 12/2007 Kim et al.
 D557,246 S * 12/2007 Kim et al. D14/138
 D558,179 S 12/2007 Hansen
 D558,724 S 1/2008 Hsu et al.
 D559,223 S 1/2008 Kim et al.
 D561,074 S 2/2008 Montijo et al.
 D562,283 S 2/2008 Moon et al.
 D562,294 S * 2/2008 Bang et al. D14/138
 D562,312 S 2/2008 Hu et al.
 D562,790 S 2/2008 Hering et al.
 D563,378 S * 3/2008 Tseng et al. D14/138
 D563,415 S * 3/2008 Griffin et al. D14/439
 D564,999 S 3/2008 Richards et al.
 D566,094 S * 4/2008 Kim et al. D14/138
 D567,246 S 4/2008 Lam et al.
 D567,786 S 4/2008 Lee et al.
 D569,823 S 5/2008 Lyles et al.
 D569,836 S 5/2008 Han et al.
 D570,840 S 6/2008 Rak et al.
 D571,795 S 6/2008 Lyles et al.
 D572,715 S * 7/2008 Gloscia et al. D14/455
 2005/0099394 A1 5/2005 Chou et al.
 2006/0205450 A1 9/2006 Amano et al.
 2006/0234785 A1 * 10/2006 Lee et al. 455/575.1
 2007/0074957 A1 4/2007 Lam et al.
 2008/0026690 A1 * 1/2008 Foxenland 455/3.06
 2008/0039156 A1 * 2/2008 Lee et al. 455/575.1

FOREIGN PATENT DOCUMENTS

WO	DM/056735	4/2001
WO	DM/065843	8/2004
WO	DM/067361	9/2005
WO	DM/068501	1/2007

OTHER PUBLICATIONS

Eten glofish M700, announced Nov. 2006, [online], [retrieved on Feb. 20, 2007]. Retrieved from Internet ,<URL: <http://www.gsmarena.com>>.*

i-mate PDAL, announced Nov. 2006, [online], [retrieved on Feb. 20, 2007]. Retrieved from Internet ,<URL: <http://www.gsmarena.com>>.*

InnoStream INNO P10, announced Jun. 2005, [online], [retrieved on Feb. 20, 2007]. Retrieved from Internet ,<URL: <http://www.gsmarena.com>>.*

LG KU950, announced Feb. 2007, [online], [retrieved on Feb. 20, 2007]. Retrieved from Internet ,<URL: <http://www.gsmarena.com>>.*

Toshiba G900, announced Feb. 2007, [online], [retrieved on Feb. 20, 2007]. Retrieved from Internet ,<URL: <http://www.gsmarena.com>>.*

Palm Treo 500v, announced Sep. 2007, [online], [retrieved on Jun. 13, 2008]. Retrieved from Internet ,<URL: <http://www.gsmarena.com>>.*

Palm Centro, announced Feb. 2008, [online], [retrieved on Jun. 13, 2008]. Retrieved from Internet ,<URL: <http://www.gsmarena.com>>.*

BenQ-Siemens EF51, Feb. 2006, 2 pages. www.gsmarena.com/benq_siemens_ef51-1436.php.

Handspring Press Release, Introduction of Treo 600, "Handspring Introduces SmartphoneDesign Innovations With Treo 600 Series," Jun. 18, 2003, 2 pages. www.palm.com/us/company/pr/hs_archive/061803.html.

Handspring Press Release, Introduction of Treo 180, "Handspring Unites Phone, Messaging and PDA In Bew Treo Communicator," Oct. 15, 2001, 3 pages. www.palm.com/us/pr/hsarchive/IO1501.html.

Nokia 6681, announced 1st quarter 2005, [online], [retrieved on Apr. 11, 2008], 3 pages. Retrieved from Internet <URL: <http://www.gsmarena.com>>.*

US D596,629 S

Page 3

Sagem my400V, announced Feb. 2007, [online], [retrieved on Apr. 11, 2008] 2 pages. Retrieved from Internet <URL: <http://www.gsmarena.com>>.

Sony Ericsson K550im, announced Feb. 2007, [online], [retrieved on Apr. 11, 2008] 2 pages. Retrieved from Internet <URL: <http://www.gsmarena.com>>.

Treo 650 photo of product, 1 page, Dec. 8, 2005. Retrieved from Internet <URL: http://www.livingroom.org.au/cameraphone/images/treo_650.jpg>.

Treo 700p photo of product, Jun. 12, 2006, Retrieved from Internet <URL: [http://www.palminfocenter.com/news/8645/palm-treo-](http://www.palminfocenter.com/news/8645/palm-treo-700p-review)

[700p-review](http://www.palminfocenter.com/news/8645/palm-treo-700p-review)> and Treo 700w photo of product, Retrieved from Internet <URL: <http://hopthehip.blogspot.com/2008/03/communication-by-palmone-treo-700w.html>>, 2 pages.

Treo 90 photo of product, 1 page, Jul. 1, 2002 Retrieved from Internet <URL: http://www.palminfocenter.com/images/img_treo90_06_lrg.jp>.

Two photos of Treo 180 (three-quarter view of overall device and view of keyboard & controls) Oct. 15, 2001.

Two photos of Treo 600 (view of overall device and view of keyboard & controls) Jun. 18, 2003.

* cited by examiner

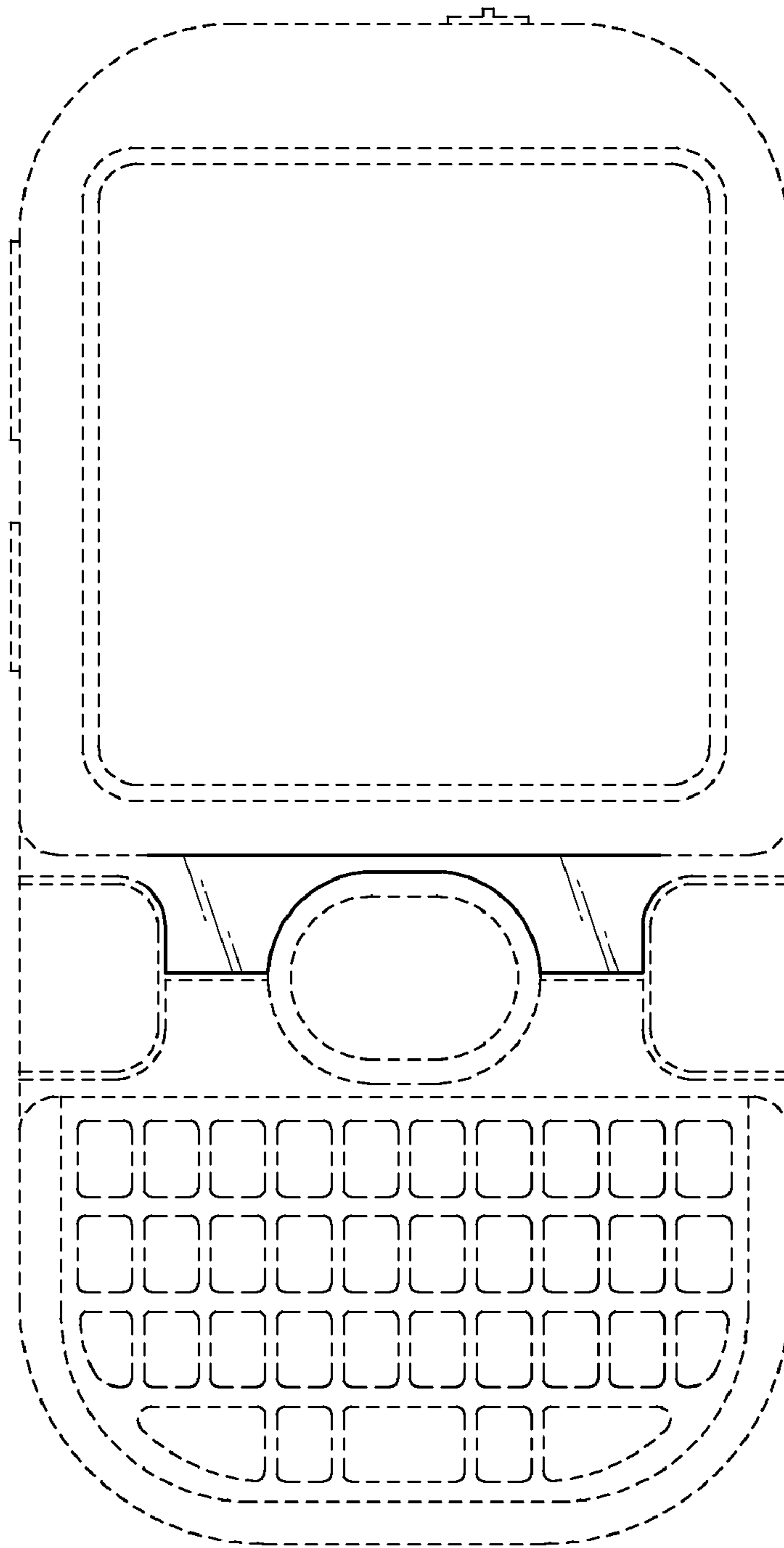


FIG.1

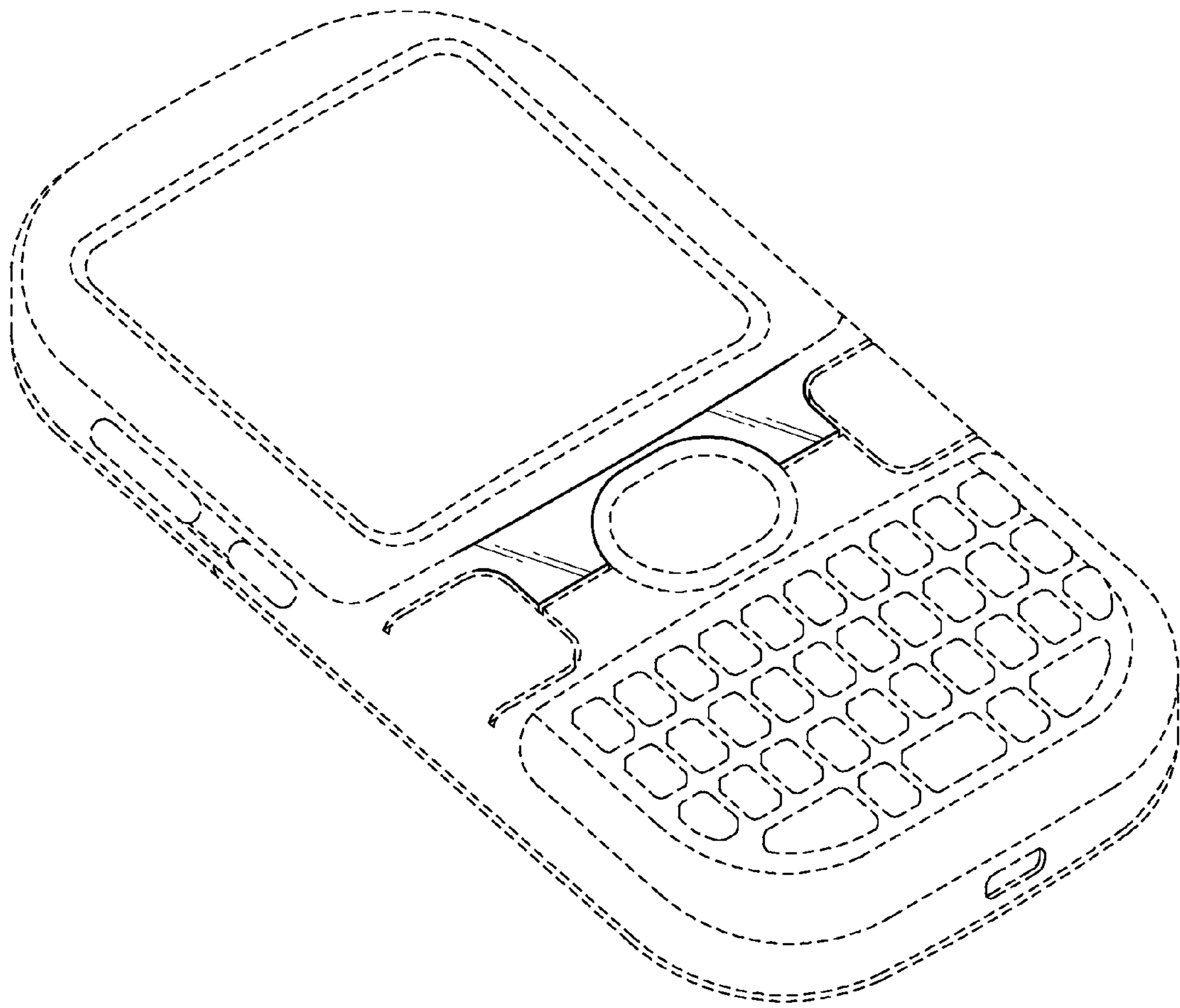


FIG.2

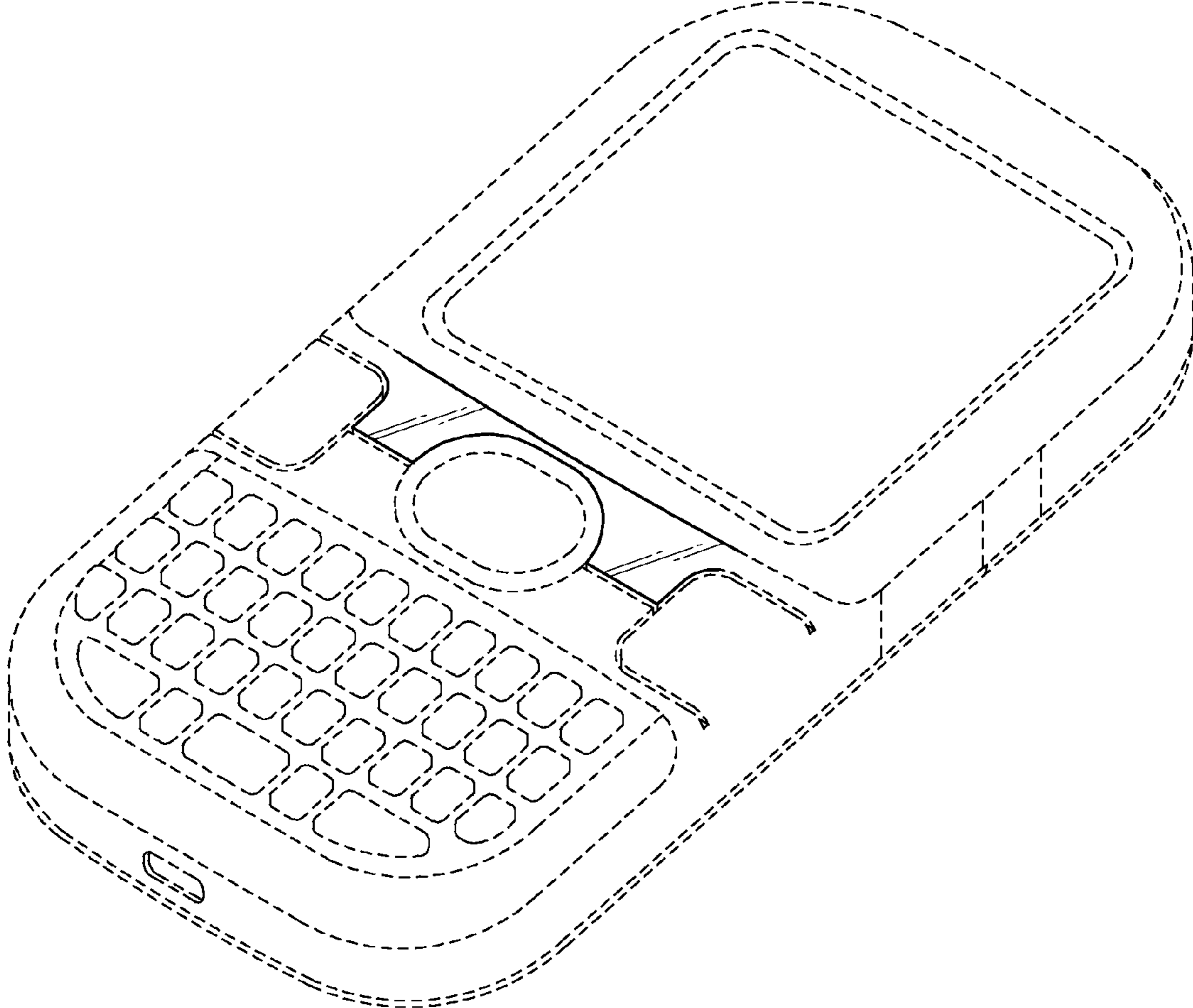


FIG.3

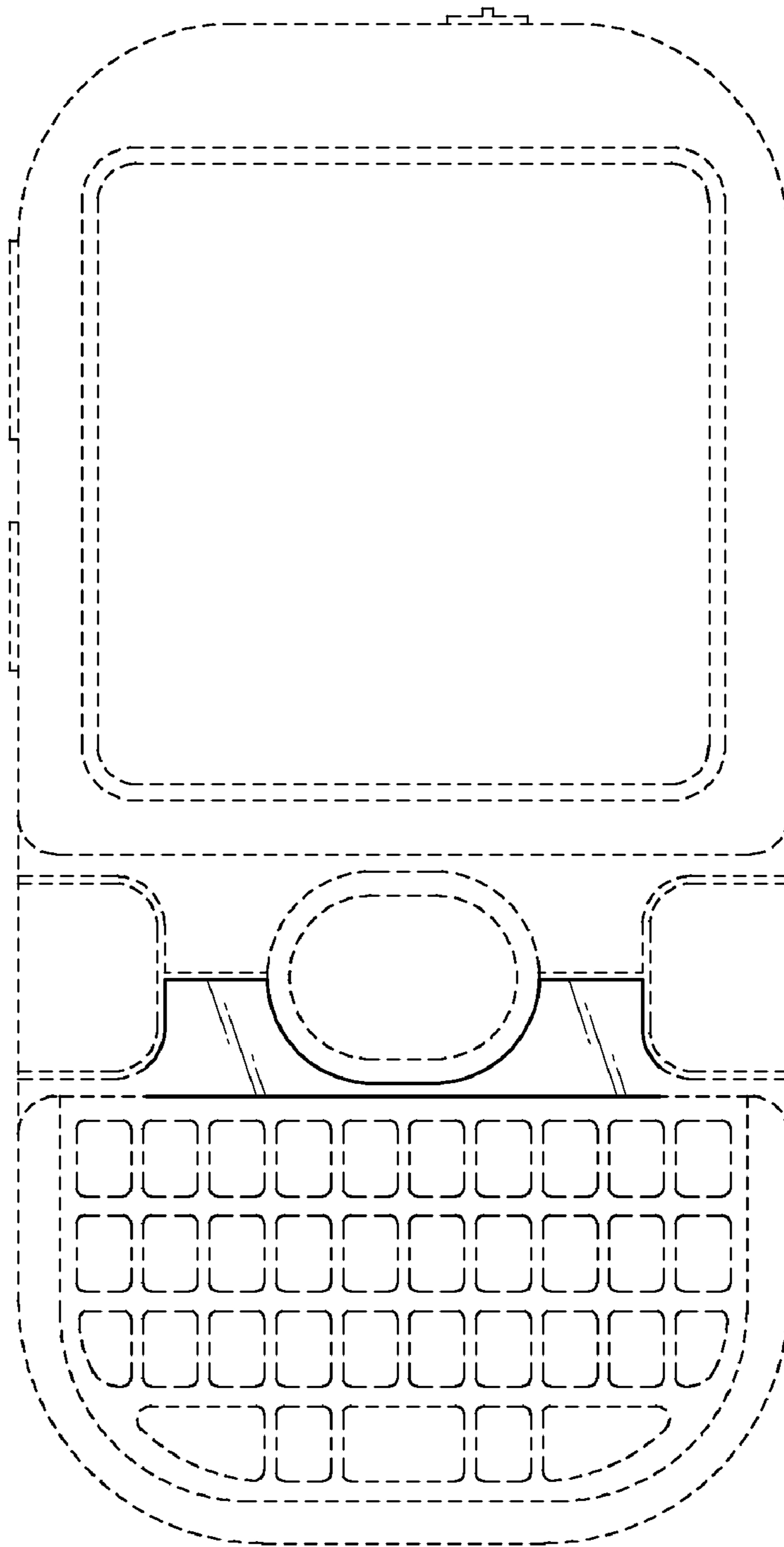


FIG.4

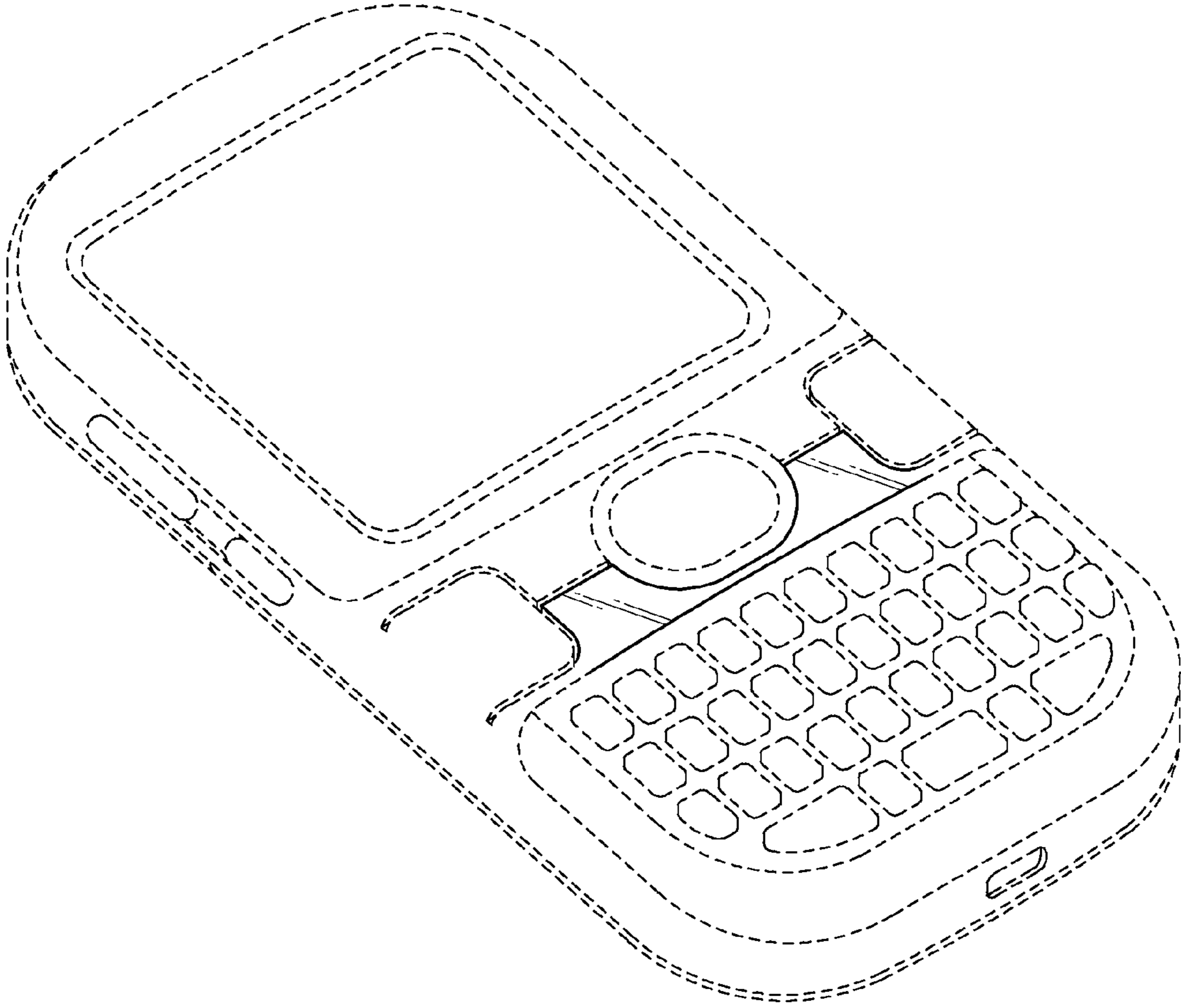


FIG.5

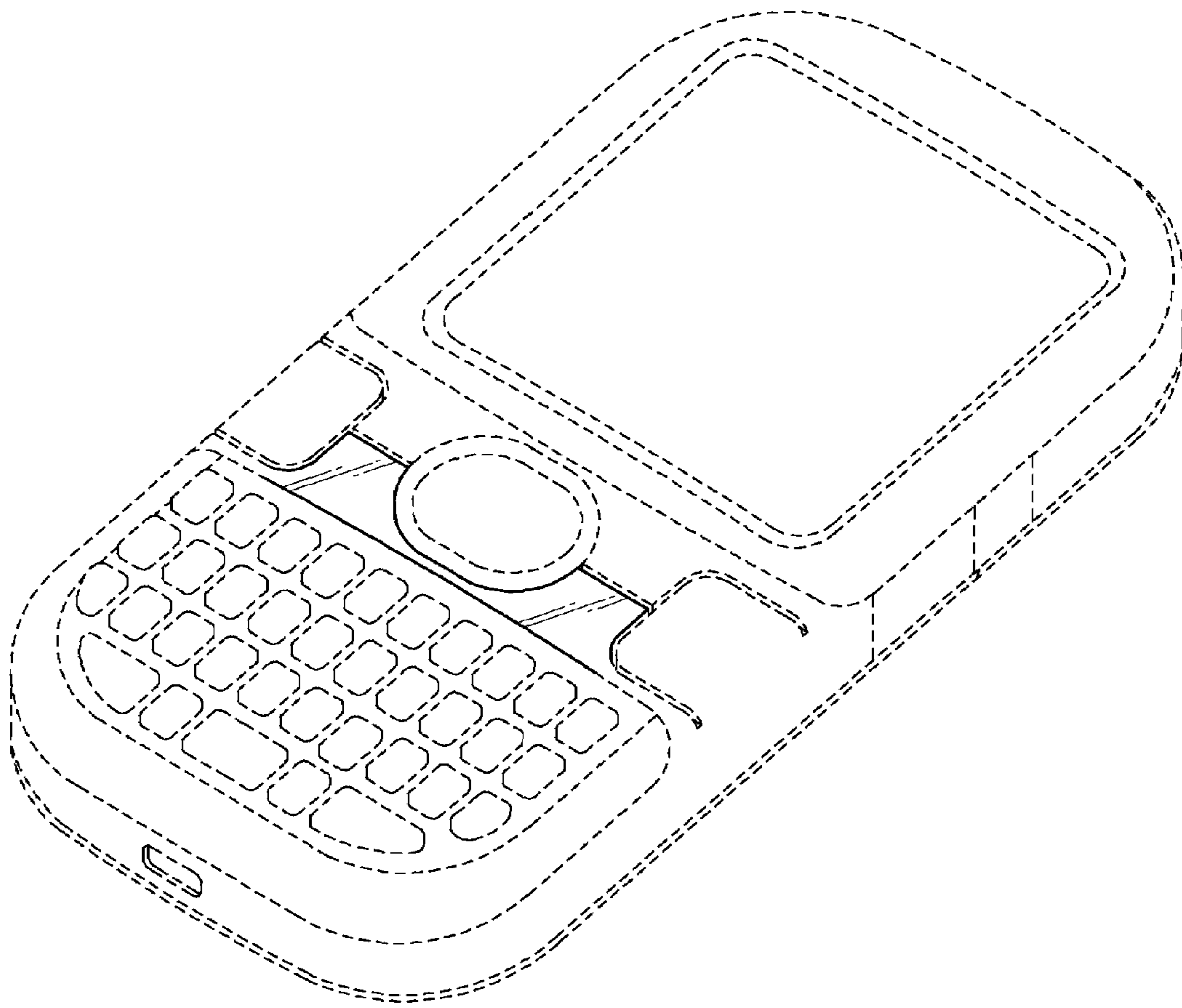


FIG.6