



US00D596627S

(12) **United States Design Patent**
Cho et al.

(10) **Patent No.:** **US D596,627 S**
(45) **Date of Patent:** **** Jul. 21, 2009**

(54) **SUBSCRIBER IN-HOUSE EQUIPMENT FOR WIRELESS BROADBAND SYSTEM**

(75) Inventors: **Chul-Yong Cho**, Seoul (KR);
Kyung-Hoon Lee, Seoul (KR); **Bum-Ho Chun**, Seoul (KR)

(73) Assignee: **Samsung Electronics Co., Ltd.**,
Suwon-Si (KR)

(**) Term: **14 Years**

(21) Appl. No.: **29/287,449**

(22) Filed: **Aug. 9, 2007**

(30) **Foreign Application Priority Data**

May 28, 2007 (KR) 30-2007-0022902

(51) **LOC (9) Cl.** **14-02**

(52) **U.S. Cl.** **D14/240**

(58) **Field of Classification Search** D14/356,
D14/358, 233, 240, 242, 300, 348, 388, 433,
D14/155; D13/184, 137.2, 107, 108, 144;
360/69; 379/220.1, 220.14, 25, 93.09, 93.15,
379/156, 900, 338, 329; 381/124; 607/36;
307/10.1; 439/668

See application file for complete search history.

(56) **References Cited**

U.S. PATENT DOCUMENTS

D391,967 S * 3/1998 Blais et al. D14/240

D487,741 S * 3/2004 Tsuzuki et al. D14/302
D519,996 S * 5/2006 Tsuzuki et al. D14/300
D538,273 S * 3/2007 Liu D14/240
D544,477 S * 6/2007 Tsuzuki et al. D14/300

* cited by examiner

Primary Examiner—Charles A Rademaker

Assistant Examiner—Charles D Hanson

(74) *Attorney, Agent, or Firm*—Staas & Halsey LLP

(57) **CLAIM**

The ornamental design for a subscriber in-house equipment for wireless broadband system, as shown and described.

DESCRIPTION

FIG. 1 is a perspective view of a subscriber in-house equipment for wireless broadband system showing our new design; FIG. 2 is a front view thereof; FIG. 3 is a rear view thereof; FIG. 4 is a left side view thereof; FIG. 5 is a right side view thereof; FIG. 6 is a top plan view thereof; and, FIG. 7 is a bottom plan view thereof.

1 Claim, 5 Drawing Sheets

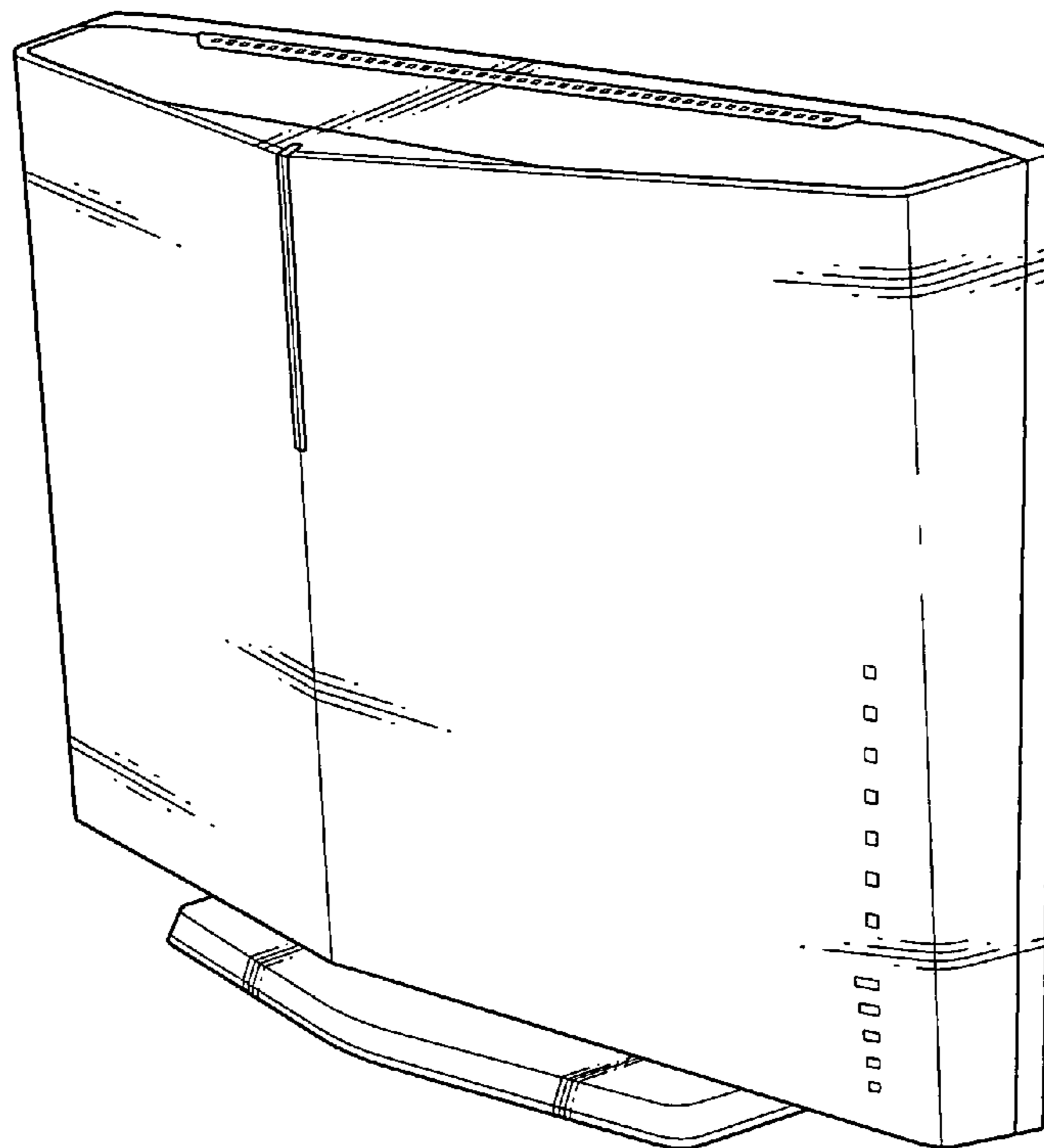


FIG. 1

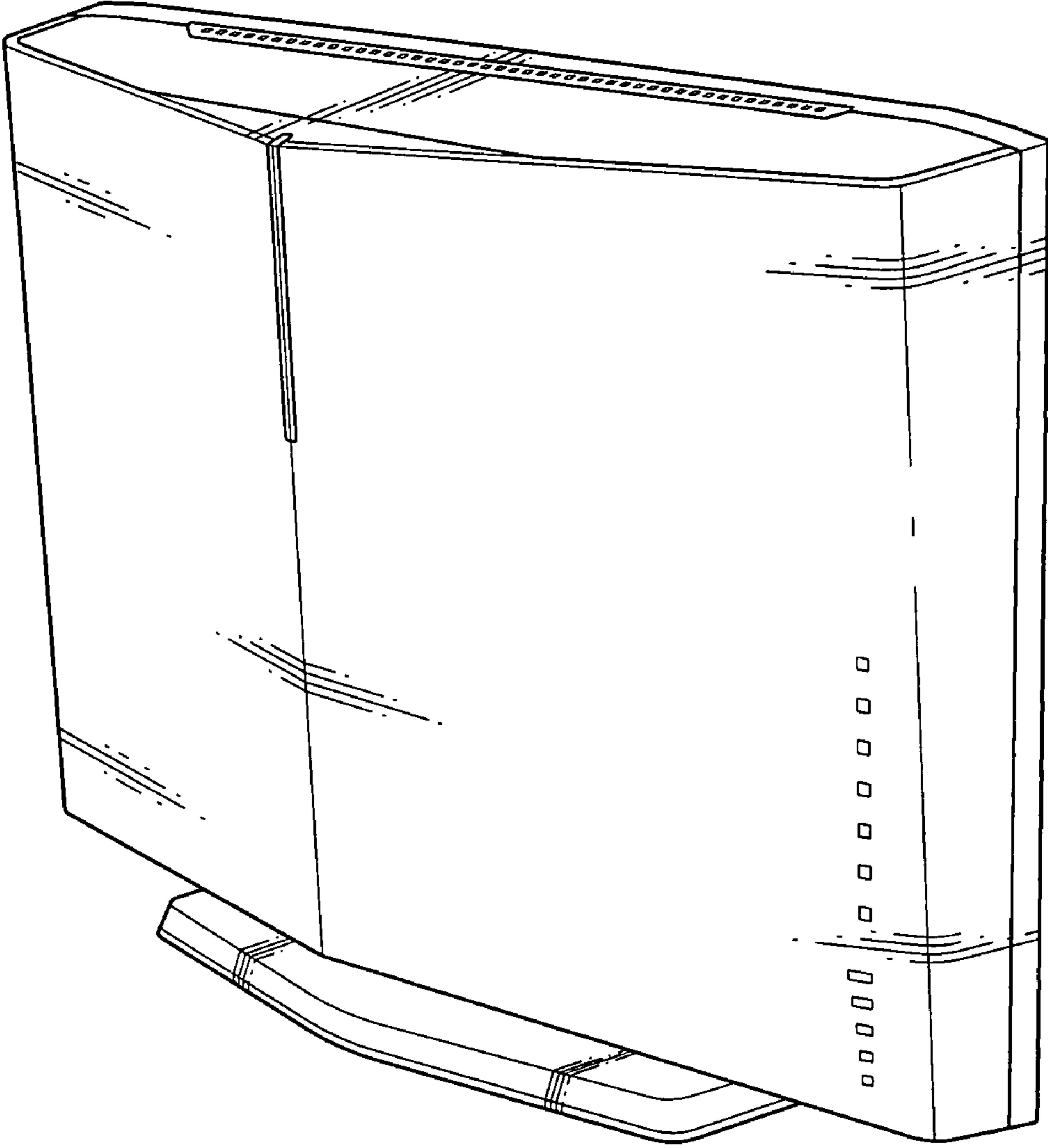


FIG. 2

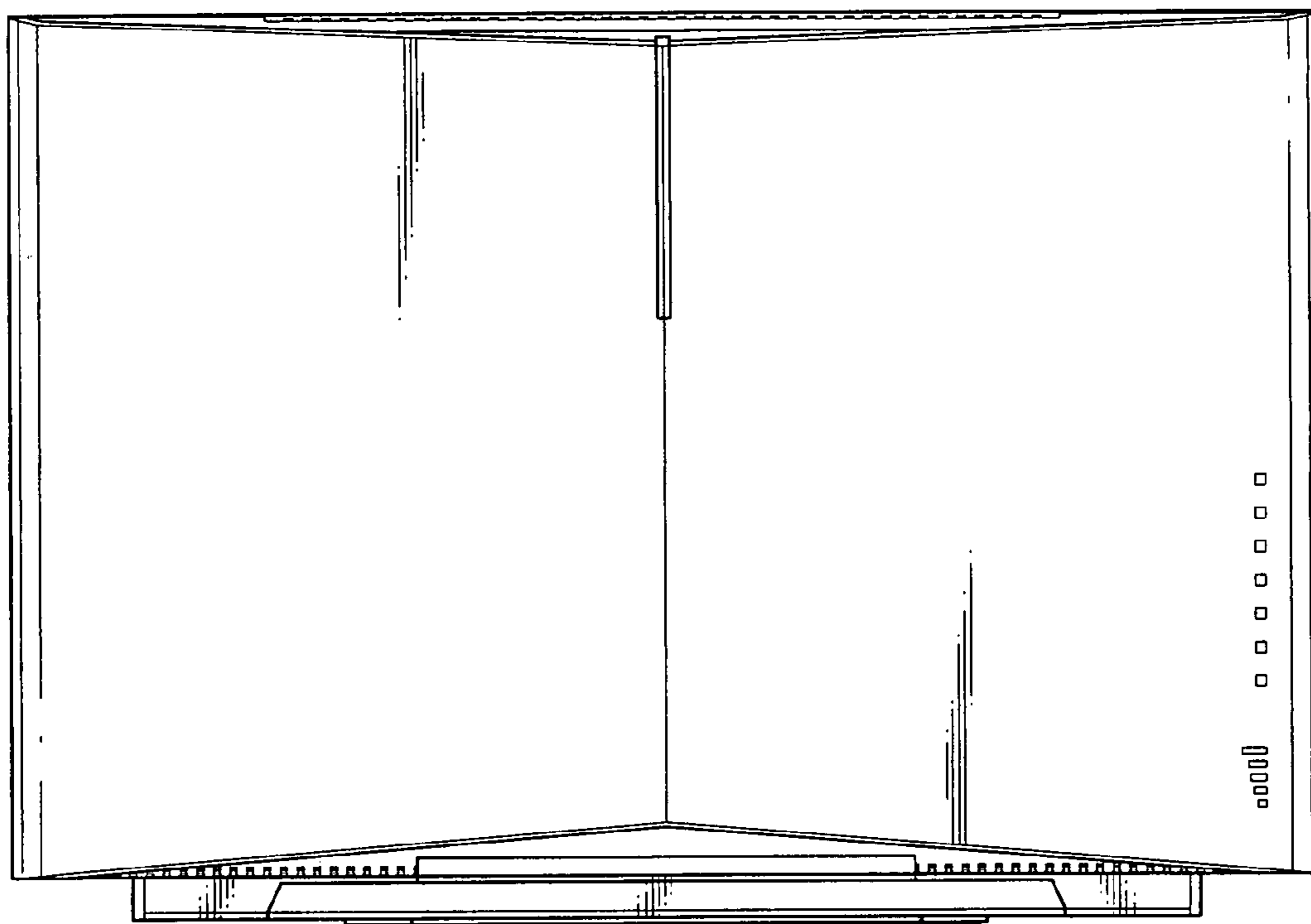


FIG. 3

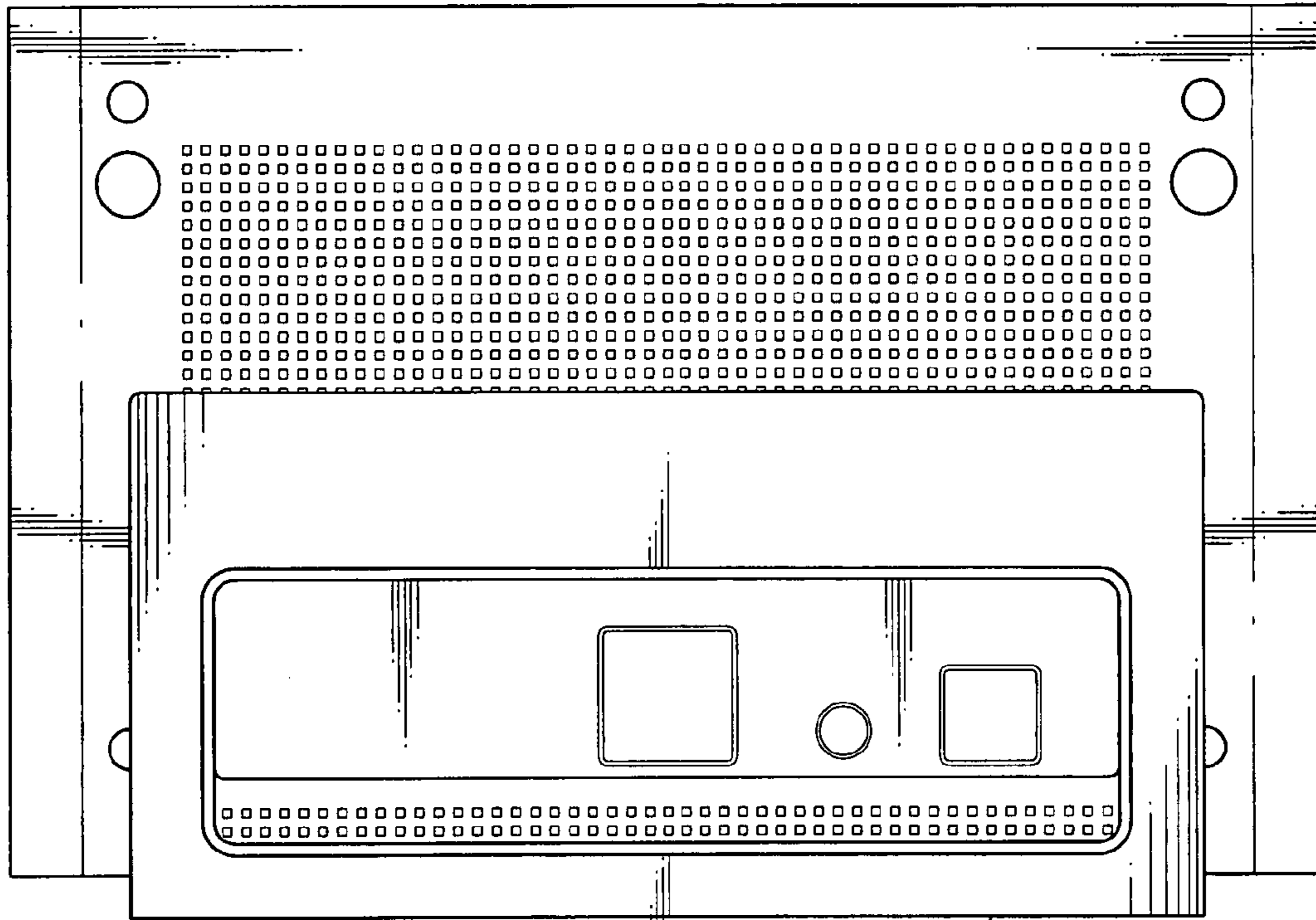


FIG.4

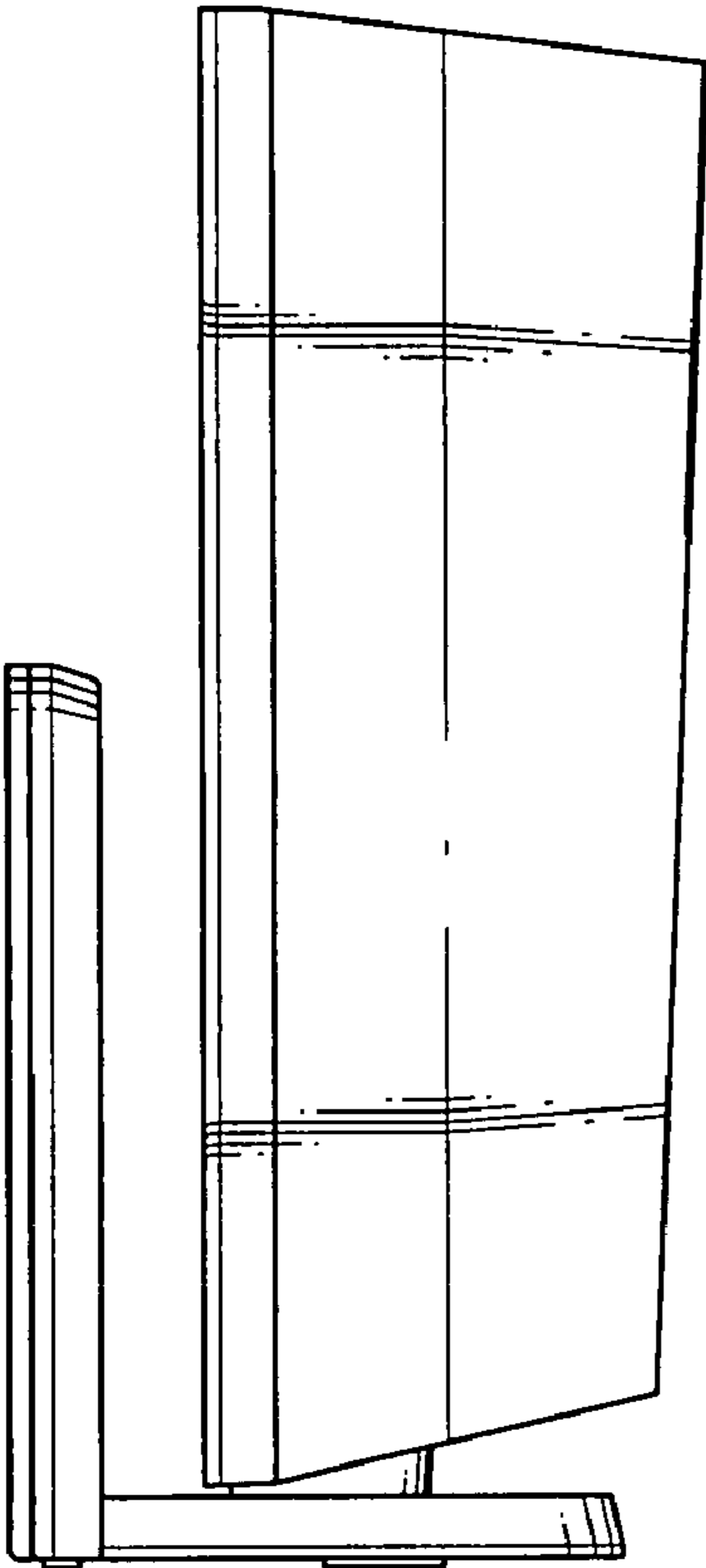


FIG.5

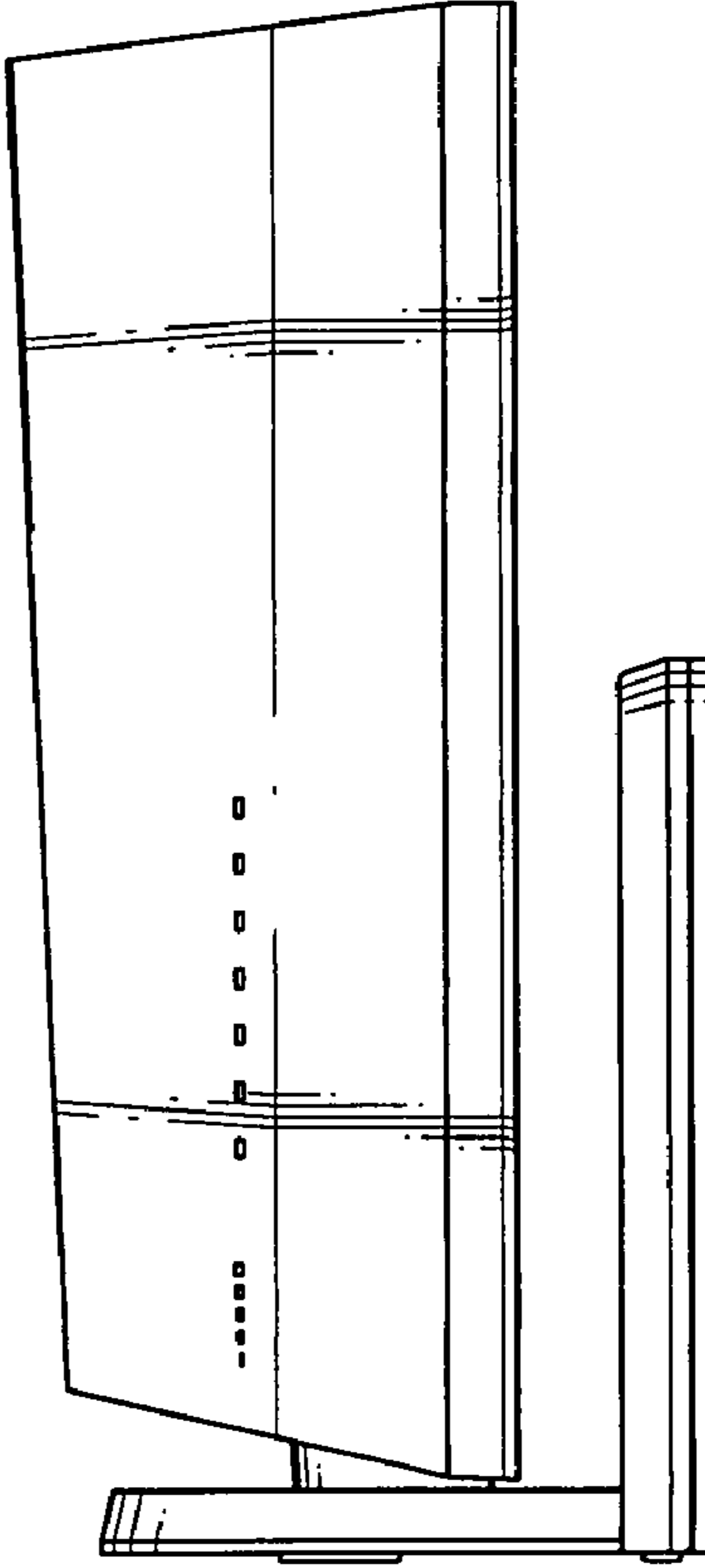


FIG.6

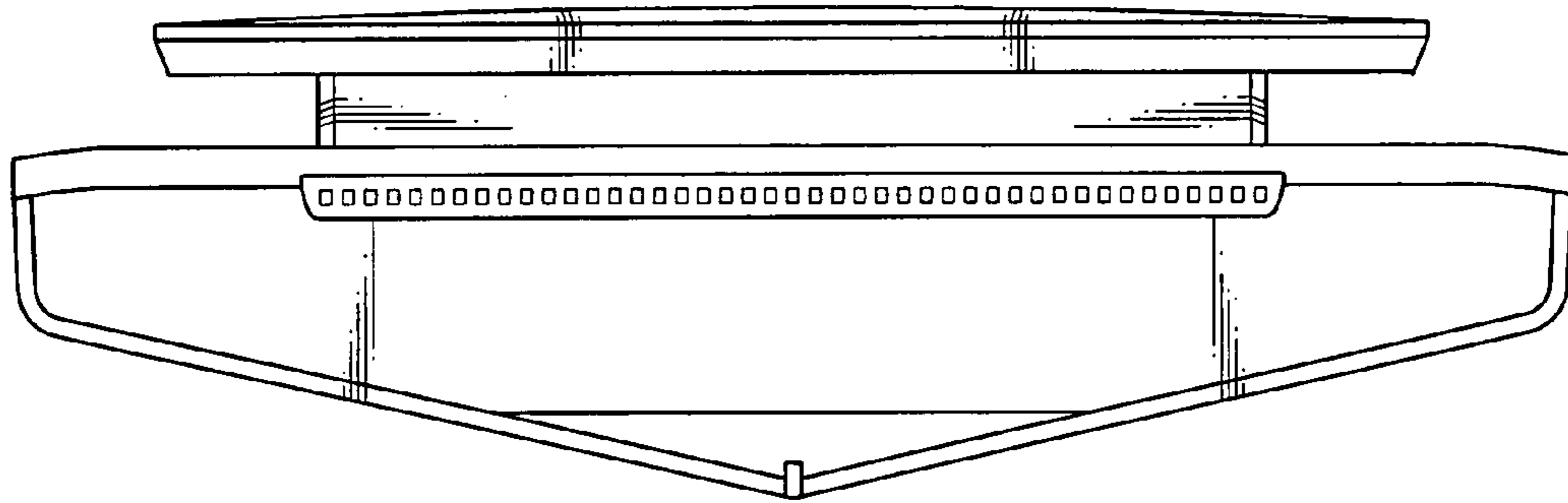


FIG.7

