



US00D596626S

(12) **United States Design Patent**
Andre et al.

(10) **Patent No.:** **US D596,626 S**
(45) **Date of Patent:** **** Jul. 21, 2009**

(54) **ELECTRONIC DEVICE**

(75) Inventors: **Bartley K. Andre**, Menlo Park, CA (US); **Daniel J. Coster**, San Francisco, CA (US); **Daniele De Iuliis**, San Francisco, CA (US); **Richard P. Howarth**, San Francisco, CA (US); **Jonathan P. Ive**, San Francisco, CA (US); **Duncan Robert Kerr**, San Francisco, CA (US); **Shin Nishibori**, San Francisco, CA (US); **Matthew Dean Rohrbach**, San Francisco, CA (US); **Peter Russell-Clarke**, San Francisco, CA (US); **Douglas B. Satzger**, Menlo Park, CA (US); **Calvin Q. Seid**, Palo Alto, CA (US); **Vincent Keane Seid**, legal representative, Los Gatos, CA (US); **Christopher J. Stringer**, Portola Valley, CA (US); **Eugene Antony Whang**, San Francisco, CA (US); **Rico Zorkendorfer**, San Francisco, CA (US)

(73) Assignee: **Apple Inc.**, Cupertino, CA (US)

(**) Term: **14 Years**

(21) Appl. No.: **29/281,459**

(22) Filed: **Jun. 22, 2007**

(51) **LOC (9) Cl.** **14-02**

(52) **U.S. Cl.** **D14/240**

(58) **Field of Classification Search** D14/188, D14/242, 496, 230–237, 241, 167, 302, 314, D14/348–358, 363, 383, 433, 43, 439–441, D14/140–140.94; D13/149, 184; D3/201, D3/273; 711/100, 115; 361/685, 725, 752; 369/272.1, 273, 75.11; 360/133, 79.01, 97.03; 379/220.01, 221.09, 220.14, 25, 93.09, 93.19, 379/156, 900, 338–339, 441

See application file for complete search history.

(56) **References Cited**

U.S. PATENT DOCUMENTS

D258,577 S * 3/1981 Bottner D10/106

(Continued)

FOREIGN PATENT DOCUMENTS

JP 1241896 6/2005

OTHER PUBLICATIONS

“Eyegonomic Eyebow”, downloaded on Feb. 7, 2005, <http://www.eyegonomic.com/page=205>.

(Continued)

Primary Examiner—Charles A Rademaker

Assistant Examiner—Charles D Hanson

(74) *Attorney, Agent, or Firm*—SAIDMAN DesignLaw Group

(57) **CLAIM**

The ornamental design for an electronic device, substantially as shown and described.

DESCRIPTION

FIG. 1 is a front perspective view of an electronic device showing our new design;

FIG. 2 is a front view thereof;

FIG. 3 is a rear view thereof;

FIG. 4 is a left side view thereof;

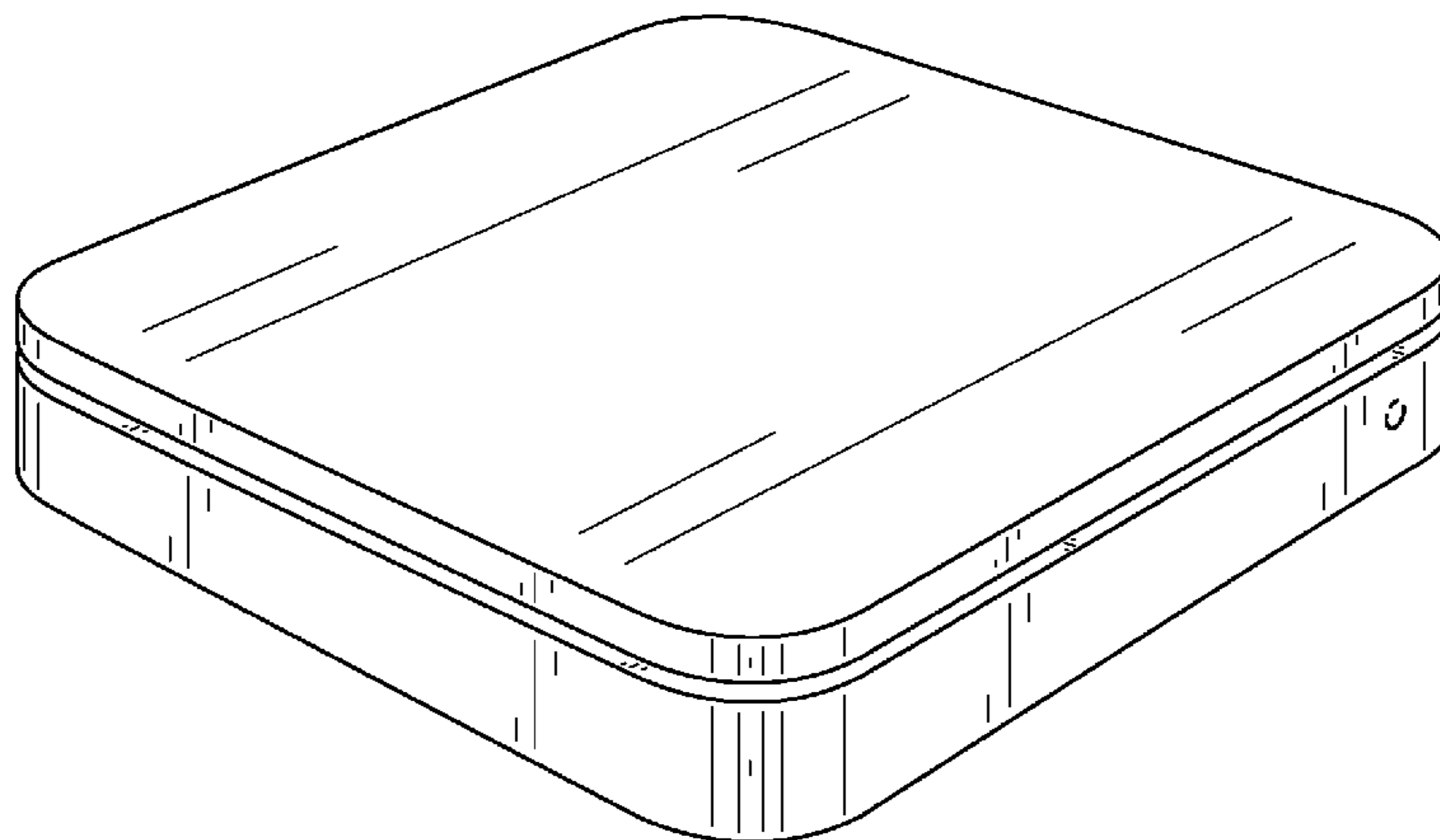
FIG. 5 is a right side view thereof;

FIG. 6 is a top plan view thereof; and,

FIG. 7 is a bottom plan view thereof.

The broken lines shown in the figure drawings illustrate environmental structure and form no part of the claimed design.

1 Claim, 5 Drawing Sheets



US D596,626 S

Page 2

U.S. PATENT DOCUMENTS

D299,651 S * 1/1989 Preussner D14/354
D301,470 S * 6/1989 Preussner D14/348
D326,089 S * 5/1992 Gowda et al. D14/355
D347,212 S 5/1994 Riley
D373,117 S 8/1996 Barthelemy et al.
D380,475 S * 7/1997 Rasmussen D14/240
D400,512 S * 11/1998 Korhonen D13/184
5,914,707 A 6/1999 Kono
D426,831 S 6/2000 Hu
D435,845 S 1/2001 Piersol
6,254,477 B1 7/2001 Sasaki et al.
D461,187 S 8/2002 Andre et al.
6,595,860 B1 7/2003 Yamamoto et al.
D494,579 S 8/2004 Chuang et al.
6,795,318 B2 9/2004 Haas et al.
D497,449 S 10/2004 Dolan
6,933,928 B1 8/2005 Lilienthal
D513,617 S 1/2006 Tierney
D520,519 S 5/2006 Chin et al.
D522,531 S 6/2006 Solomon et al.
D526,648 S 8/2006 Andre et al.
D533,177 S 12/2006 Andre et al.
7,184,802 B2 2/2007 Chadha

D537,817 S 3/2007 Andre et al.
D542,288 S * 5/2007 Andre et al. D14/314
D544,497 S * 6/2007 Kindle et al. D14/496
D558,790 S * 1/2008 Yu et al. D14/496

OTHER PUBLICATIONS

U.S. Appl. No. 29/265,955 entitled "Media Device" filed Sep. 11, 2006.
U.S. Appl. No. 29/266,005 entitled "Media Device" filed Sep. 11, 2006.
NexStar, GX, www.vantecusa.com, available at least as early as Mar. 2006.
Green House, Mac Mini, www.green-house.co.jp, Nov. 14, 2005.
Photographs of VANTEC NexStar, Mar. 2006.
Office action dated Apr. 22, 2008 in U.S. Appl. No. 29/266,005 entitled "Media Device".
Office action dated Apr. 23, 2008 in U.S. Appl. No. 29/265,955 entitled "Media Device".
Office action dated Nov. 19, 2008 in U.S. Appl. No. 29/265,955 entitled "Media Device".
Office action dated Nov. 25, 2008 in U.S. Appl. No. 29/266,005 entitled "Media Device".

* cited by examiner

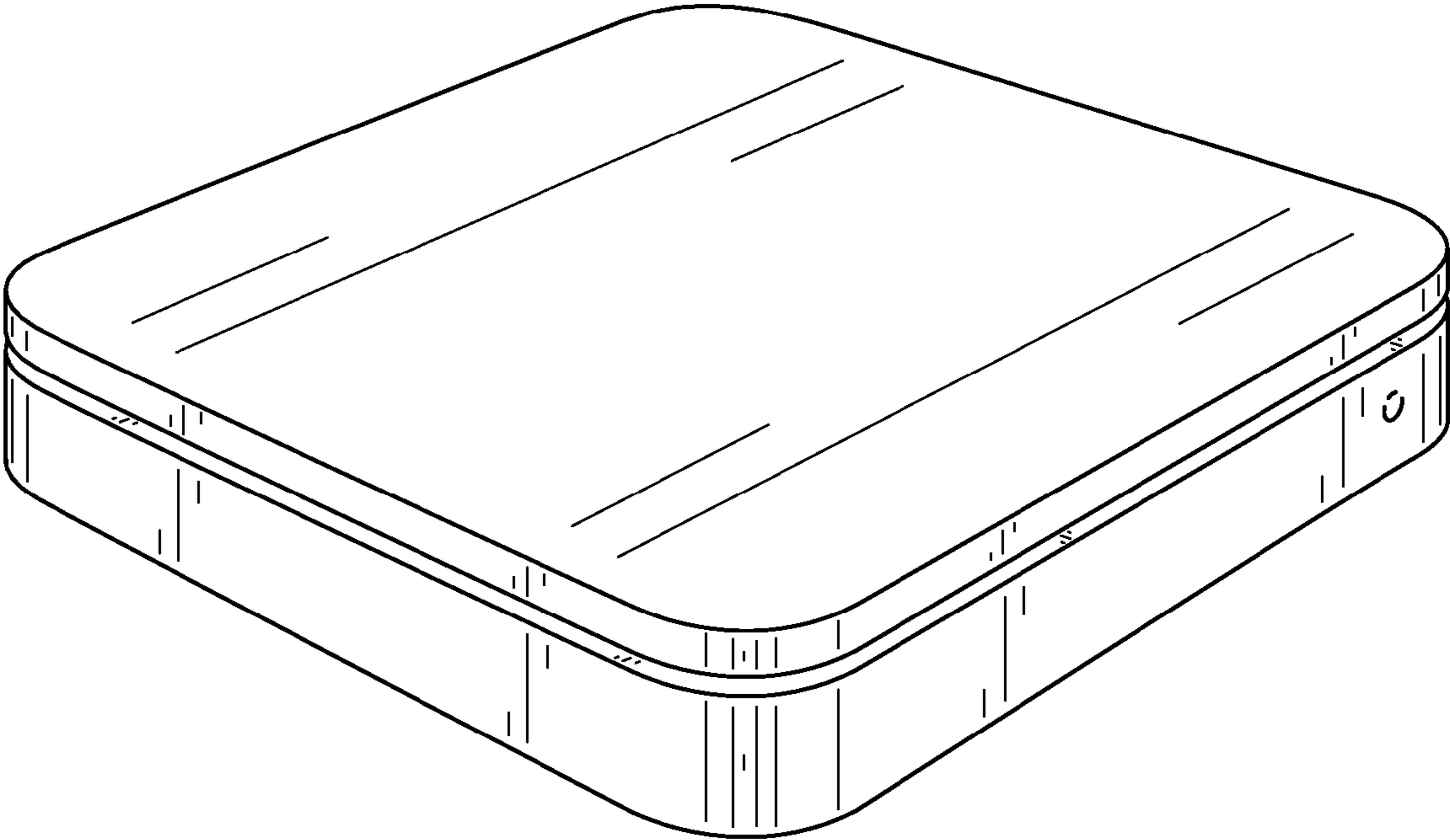


FIG. 1

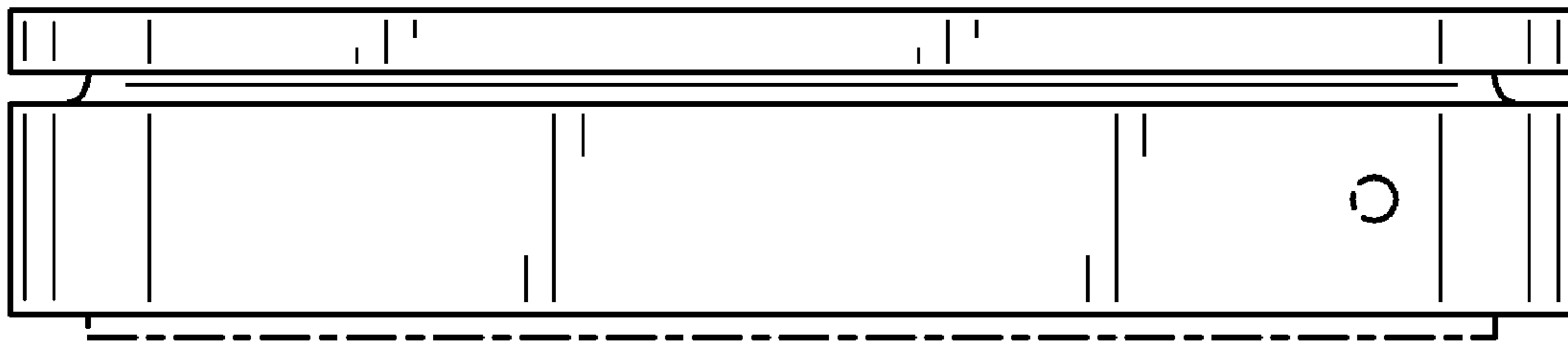


FIG. 2



FIG. 3

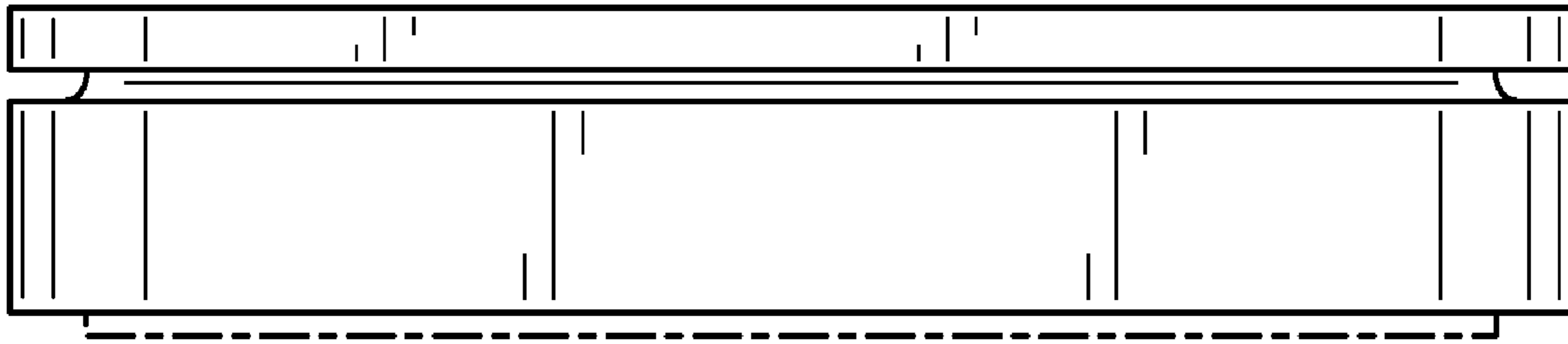


FIG. 4

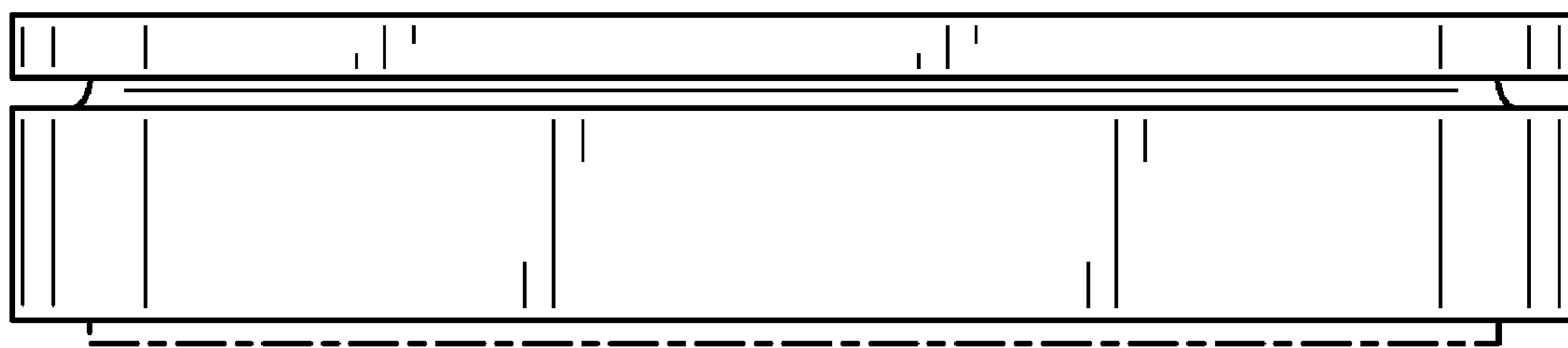


FIG. 5

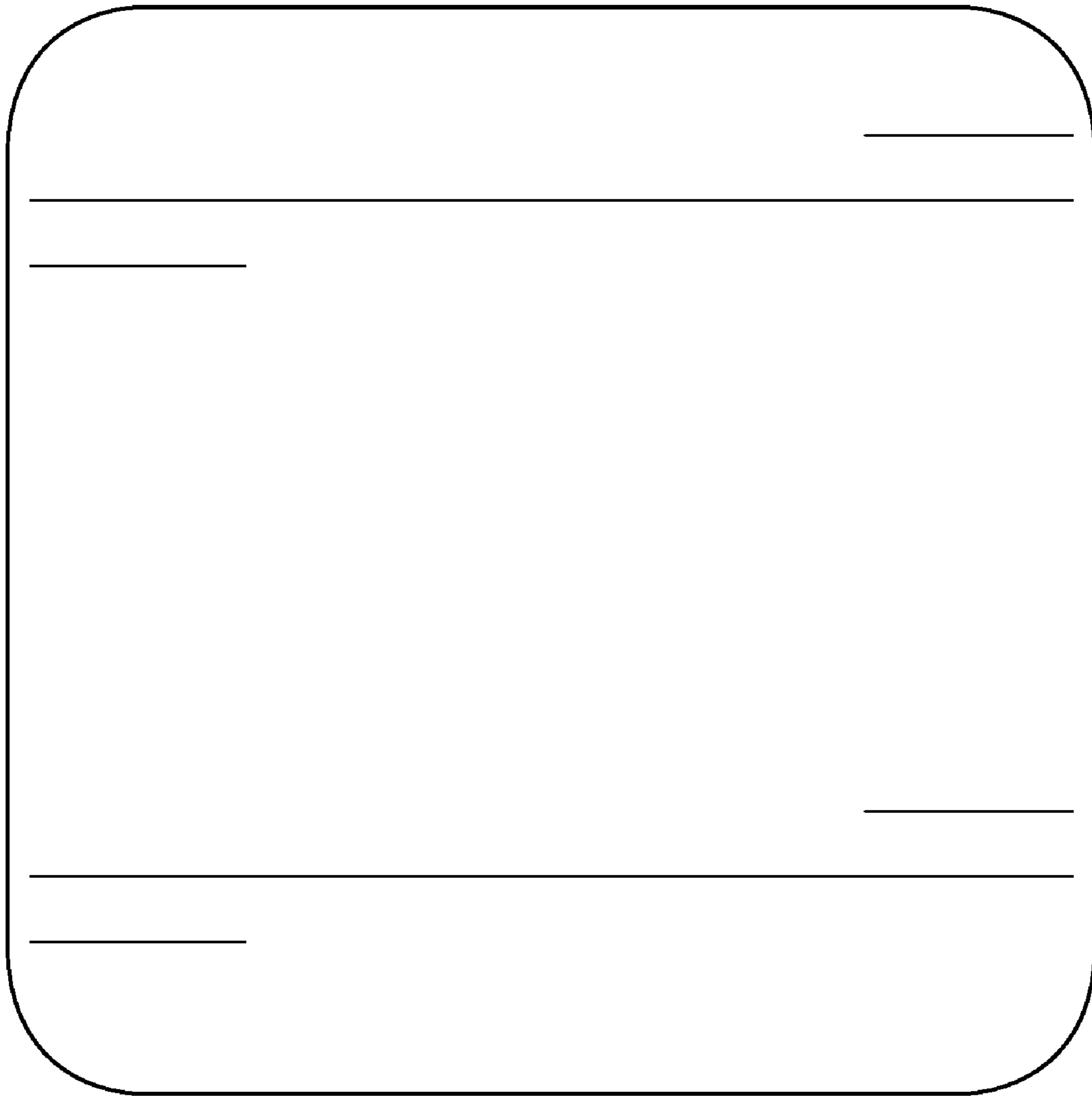


FIG. 6

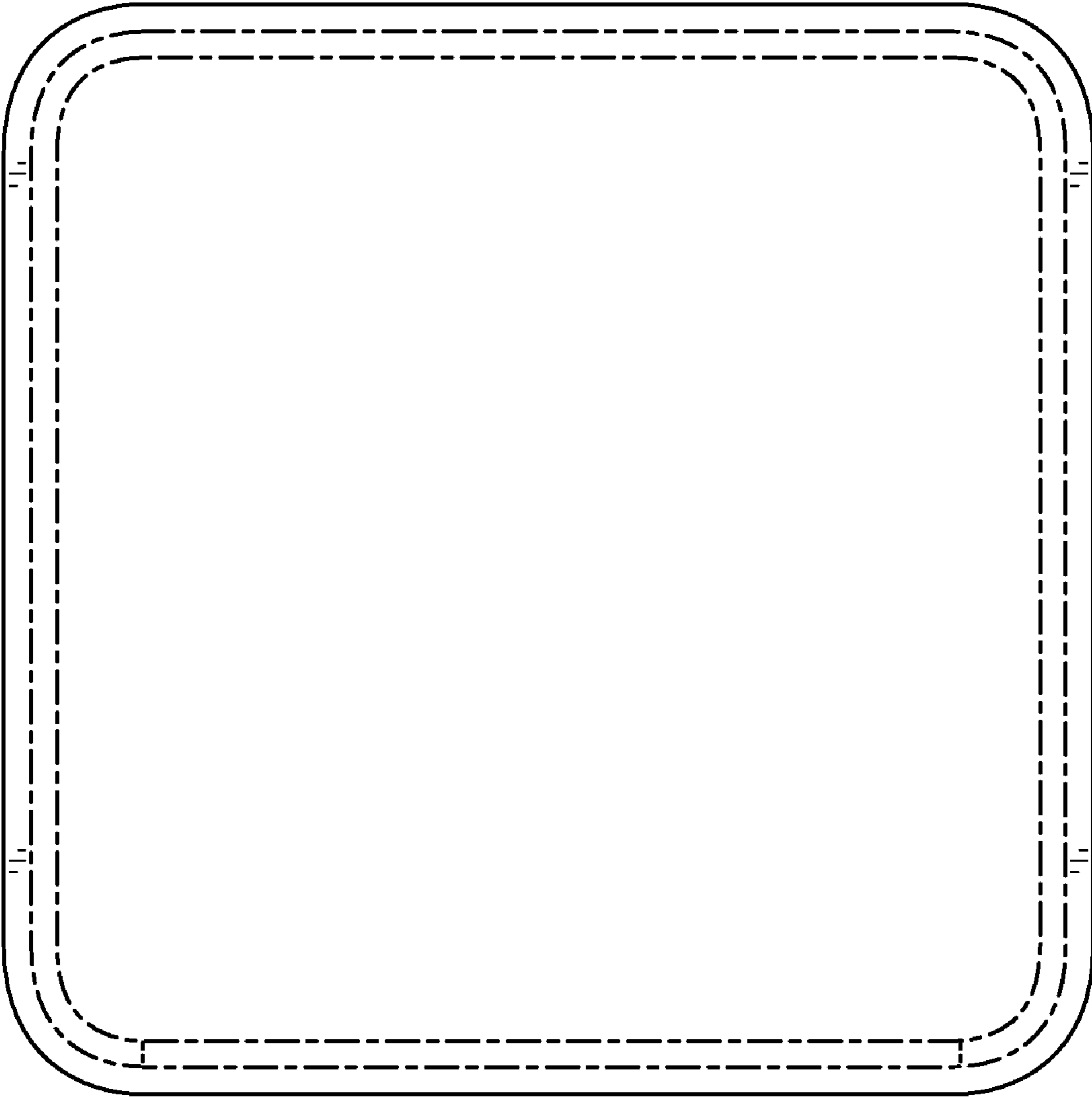


FIG. 7