



US00D596625S

(12) **United States Design Patent**
Tkachuk

(10) **Patent No.:** **US D596,625 S**
(45) **Date of Patent:** **** Jul. 21, 2009**

(54) **BLUETOOTH EARSET**

(75) Inventor: **Steven Tkachuk**, Los Angeles, CA (US)

(73) Assignee: **Samsung Electronics Co., Ltd.**,
Suwon-Si (KR)

(**) Term: **14 Years**

(21) Appl. No.: **29/326,952**

(22) Filed: **Oct. 28, 2008**

(30) **Foreign Application Priority Data**

Aug. 18, 2008 (KR) 30-2008-0035619

(51) **LOC (9) Cl.** **14-01**

(52) **U.S. Cl.** **D14/223**

(58) **Field of Classification Search** D14/205,
D14/206, 223; D24/173, 174; 181/129,
181/130, 135; 381/380, 381, 322, 324, 328,
381/330, 370, 374, 376, 378; 379/430, 420.04,
379/420.03, 420.02; 128/864, 865; 455/575.1,
455/575.2

See application file for complete search history.

(56) **References Cited**

U.S. PATENT DOCUMENTS

D213,109	S *	1/1969	Young	D24/174
4,069,400	A *	1/1978	Johanson et al.	381/324
D266,590	S *	10/1982	Bennett	D24/174
D297,979	S *	10/1988	Voroba et al.	D24/174
4,852,177	A *	7/1989	Ambrose	381/338
4,972,492	A *	11/1990	Tanaka et al.	381/380
5,185,802	A *	2/1993	Stanton	381/328
D354,568	S *	1/1995	Araki et al.	D24/174
D367,113	S *	2/1996	Weeks	D24/174

D375,556	S *	11/1996	Narisawa et al.	D24/174
D470,121	S *	2/2003	Nguyen et al.	D14/205
6,879,697	B2 *	4/2005	Tøpholm	381/322
D517,054	S *	3/2006	Yang	D14/223
D532,770	S *	11/2006	Engstrom et al.	D14/205
D563,945	S *	3/2008	Johns et al.	D14/205
D565,022	S *	3/2008	Belliveau et al.	D14/205
D568,480	S *	5/2008	Lockenwitz	D24/174
D575,773	S *	8/2008	Yanai	D14/223
D579,006	S *	10/2008	Kim et al.	D14/223
D586,778	S *	2/2009	Yang	D14/205
D587,247	S *	2/2009	Densho	D14/223
D587,249	S *	2/2009	Densho	D14/223
D587,681	S *	3/2009	Yanai	D14/205
D587,685	S *	3/2009	Densho	D14/206

* cited by examiner

Primary Examiner—Paula Greene

(74) *Attorney, Agent, or Firm*—Staas & Halsey LLP

(57) **CLAIM**

The ornamental design for a bluetooth earset, as shown and described.

DESCRIPTION

FIG. 1 is a front perspective view of a bluetooth earset showing my new design;

FIG. 2 is a front view of the bluetooth earset of FIG. 1;

FIG. 3 is a rear view of the bluetooth earset of FIG. 1;

FIG. 4 is a left-side view of the bluetooth earset of FIG. 1;

FIG. 5 is a right-side view of the bluetooth earset of FIG. 1;

FIG. 6 is a top plan view of the bluetooth earset of FIG. 1; and,

FIG. 7 is a bottom plan view of the bluetooth earset of FIG. 1.

1 Claim, 4 Drawing Sheets

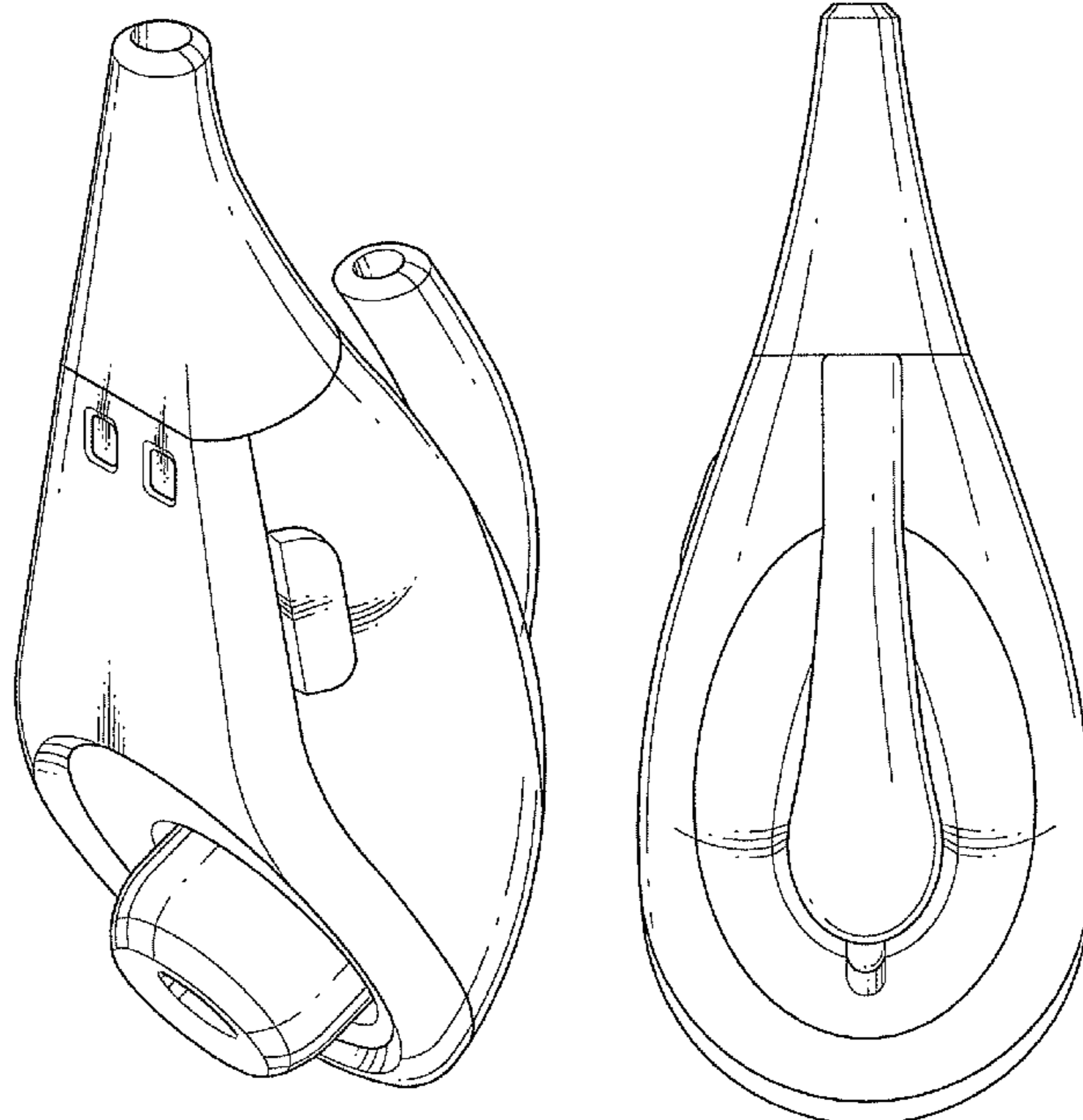


FIG. 1

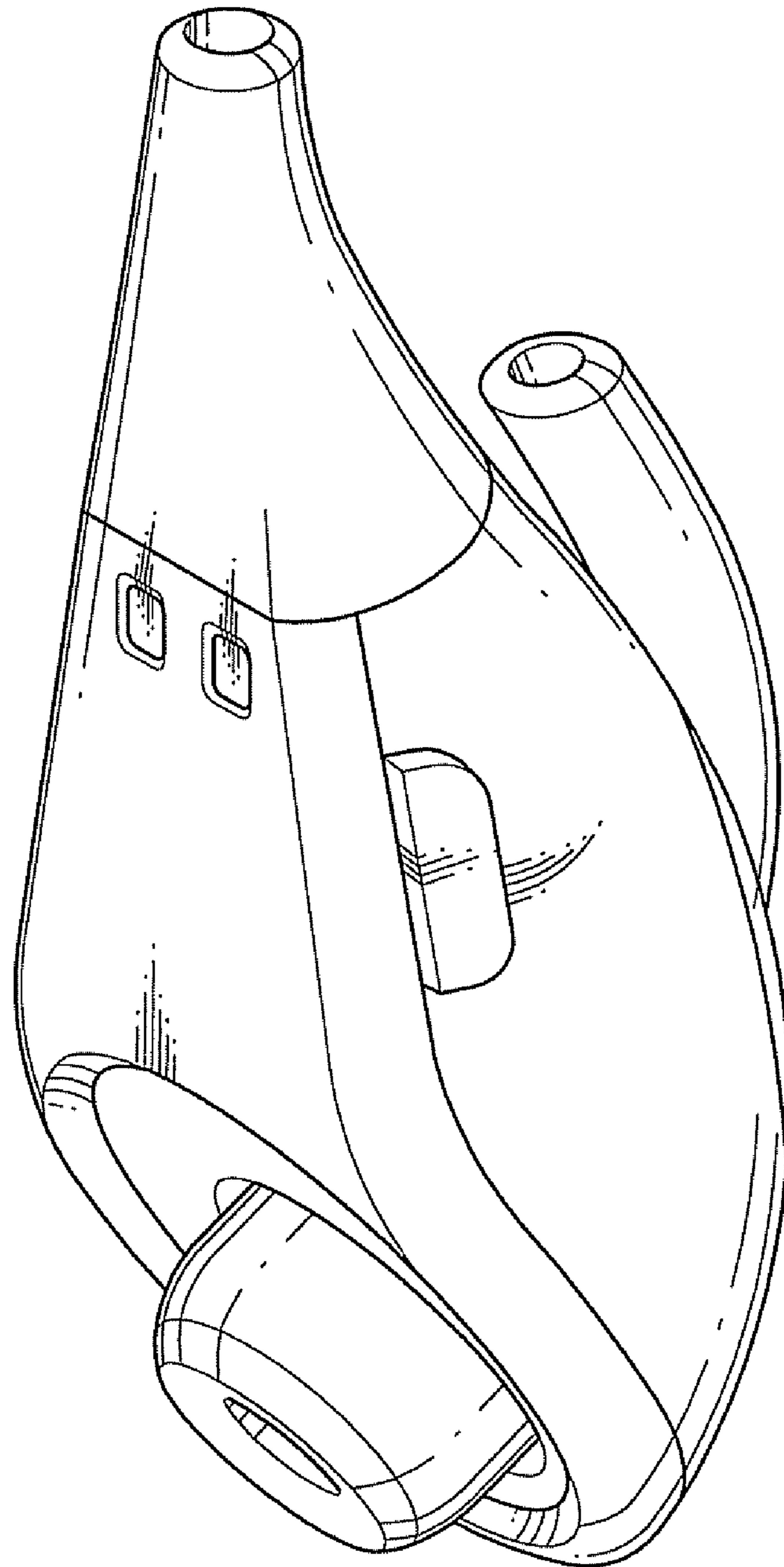


FIG.2

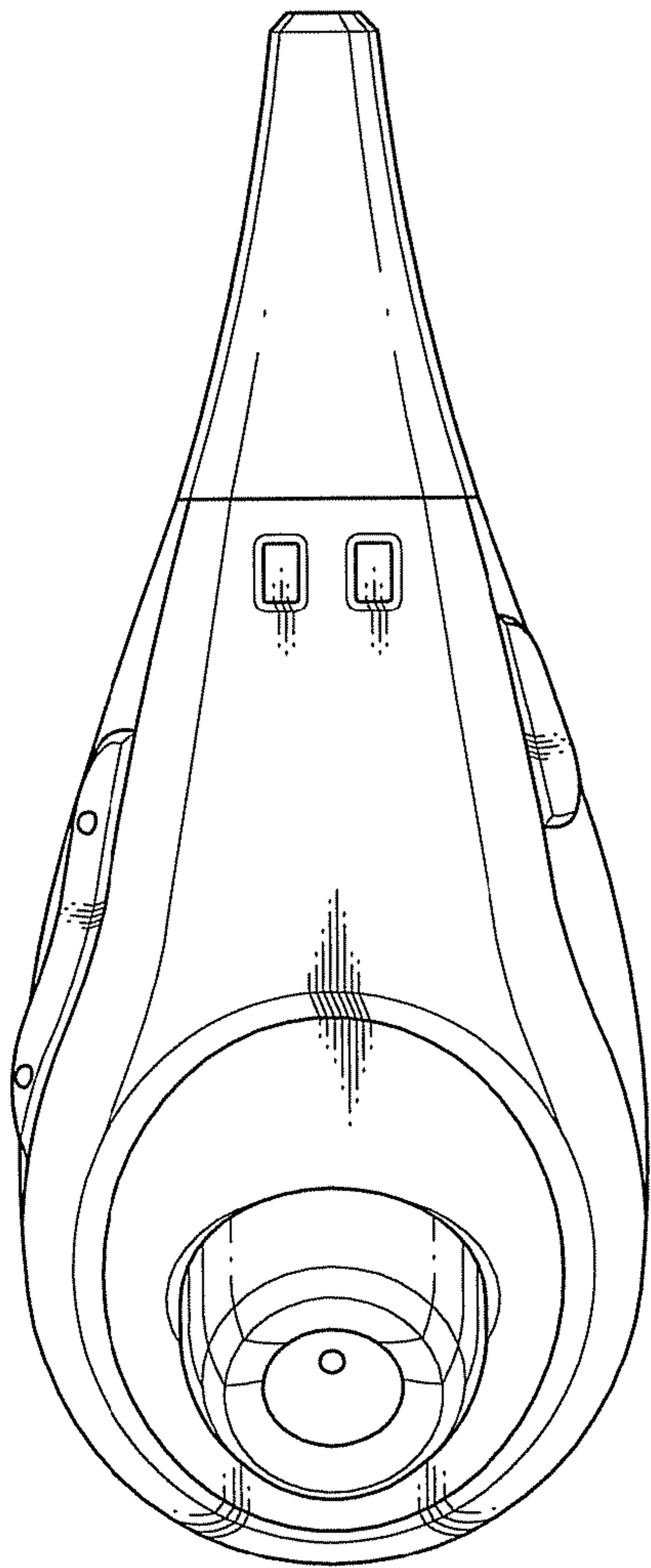


FIG.3

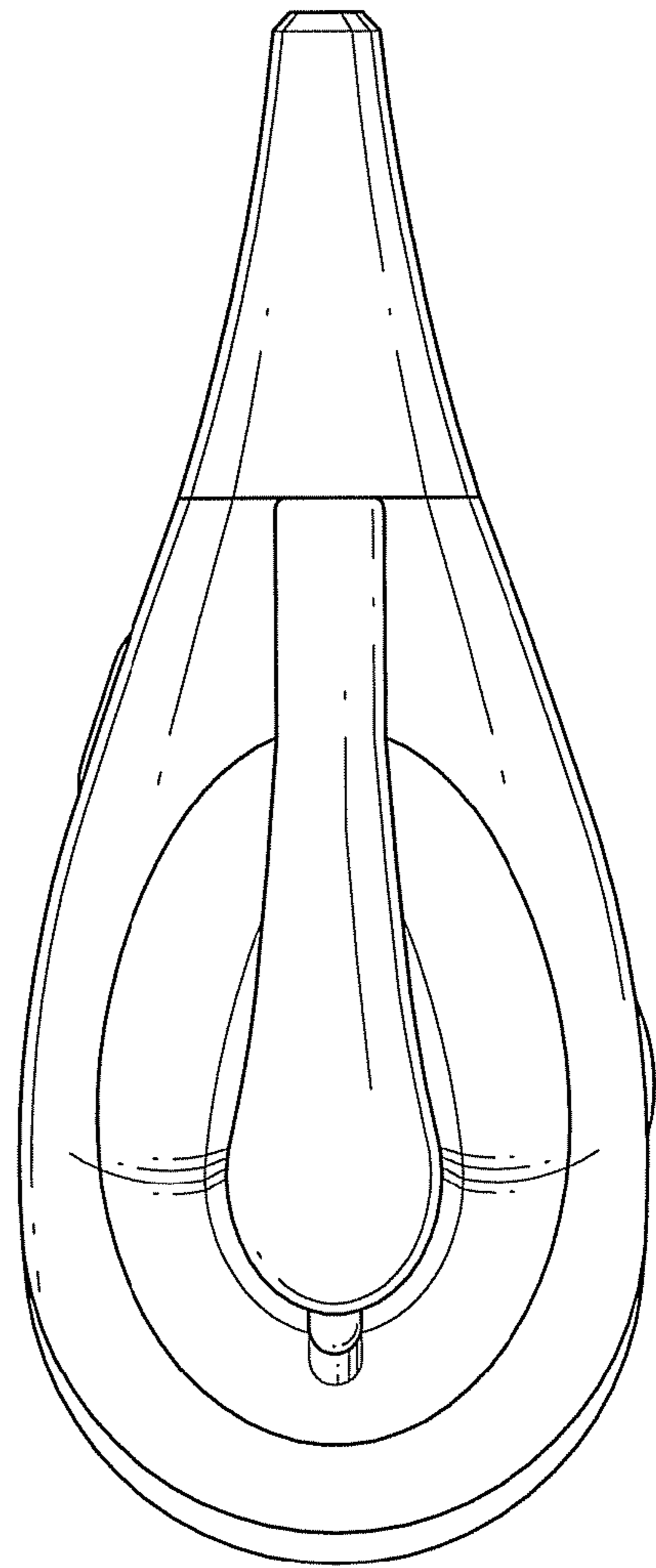


FIG.4

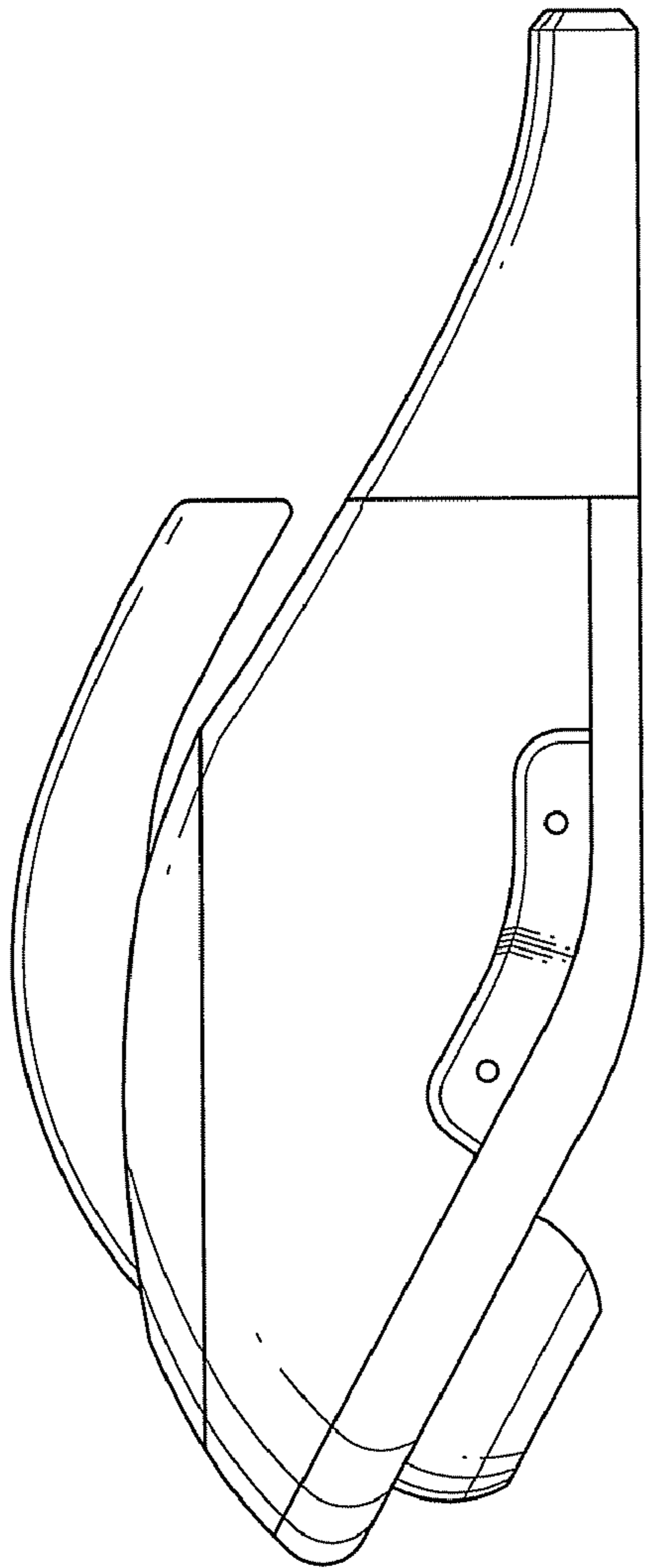


FIG.5

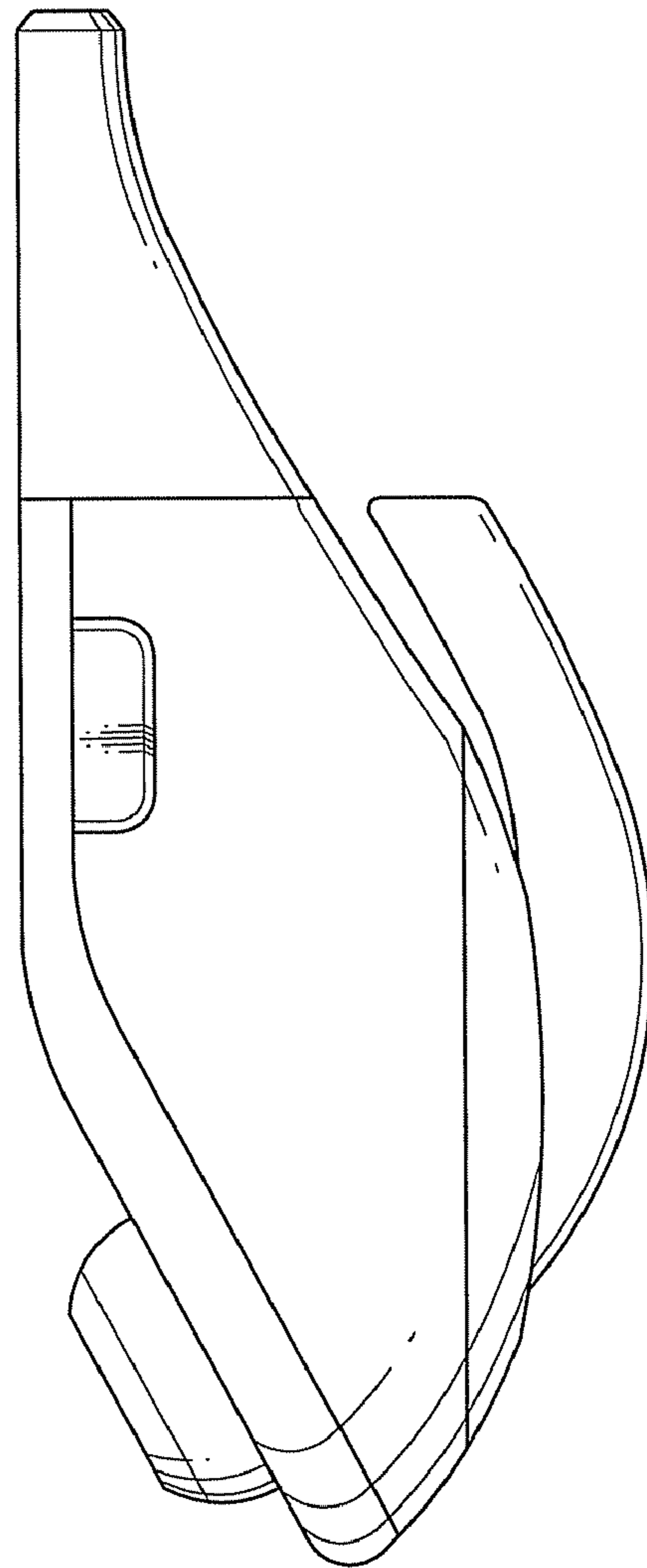


FIG.6

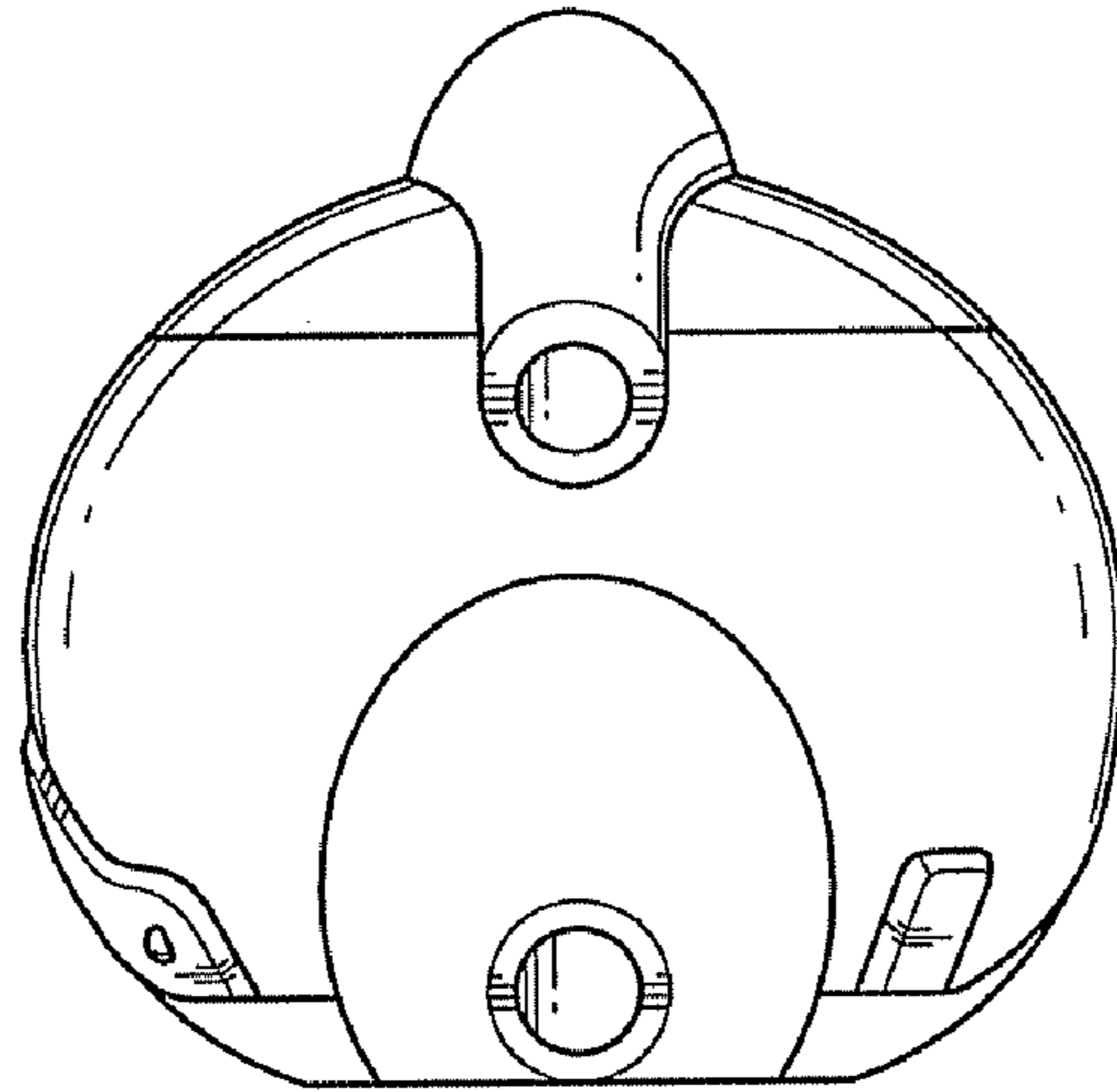


FIG.7

