

US00D596621S

(12) **United States Design Patent**  
**Andre et al.**

(10) **Patent No.:** **US D596,621 S**  
(45) **Date of Patent:** **\*\* Jul. 21, 2009**

(54) **DOCKING STATION**

(75) Inventors: **Bartley K. Andre**, Menlo Park, CA (US); **Daniel J. Coster**, San Francisco, CA (US); **Daniele De Iuliis**, San Francisco, CA (US); **Richard P. Howarth**, San Francisco, CA (US); **Jonathan P. Ive**, San Francisco, CA (US); **Duncan Robert Kerr**, San Francisco, CA (US); **Shin Nishibori**, San Francisco, CA (US); **Matthew Dean Rohrbach**, San Francisco, CA (US); **Douglas B. Satzger**, Menlo Park, CA (US); **Calvin Q. Seid**, Palo Alto, CA (US); **Vincent Keane Seid**, legal representative, Los Gatos, CA (US); **Christopher J. Stringer**, Portola Valley, CA (US); **Eugene Antony Whang**, San Francisco, CA (US); **Rico Zorkendorfer**, San Francisco, CA (US)

(73) Assignee: **Apple Inc.**, Cupertino, CA (US)

(\*\*) Term: **14 Years**

(21) Appl. No.: **29/326,229**

(22) Filed: **Oct. 14, 2008**

**Related U.S. Application Data**

(63) Continuation of application No. 29/282,424, filed on Jul. 19, 2007, now Pat. No. Des. 578,512, which is a continuation of application No. 29/237,233, filed on Aug. 24, 2005, now Pat. No. Des. 558,739.

(51) **LOC (9) Cl.** ..... **14-03**

(52) **U.S. Cl.** ..... **D14/217**

(58) **Field of Classification Search** ..... D14/142, D14/149, 155, 157, 188, 191-193, 230.1-203.8, D14/217, 251, 253, 432-435.1, 447, 451, D14/496, 474, 480.1-480.7; D13/107, 108, D13/118; D3/218; 248/221.11, 309.1; 320/107, 320/110, 113-115; 361/600, 679, 683, 686; 439/529, 534; 455/556.1-556.2, 557

See application file for complete search history.

(56) **References Cited**

U.S. PATENT DOCUMENTS

D358,821 S	5/1995	Hellier et al.	
5,602,458 A	2/1997	Dowe	
D385,530 S	10/1997	Hames et al.	
D390,824 S	2/1998	Foster et al.	
5,952,814 A	9/1999	Van Lerberghe	
6,042,414 A	3/2000	Kunert	
D442,939 S	5/2001	Goldenburg	
D463,361 S	9/2002	Ruohonen	
D477,823 S	7/2003	Lavello, Sr.	
D495,336 S	8/2004	Andre et al.	
7,075,579 B2	7/2006	Whitby et al.	
D530,717 S	10/2006	Mori et al.	
D532,005 S *	11/2006	Leith .....	D14/253
D535,614 S	1/2007	Majanen et al.	
D540,327 S	4/2007	Wong et al.	
D544,899 S	6/2007	Li et al.	
D551,214 S	9/2007	Hussaini et al.	
D551,658 S	9/2007	Hussaini et al.	
D553,106 S	10/2007	Griffin	
D558,208 S	12/2007	Ikeda et al.	
D558,738 S	1/2008	Andre et al.	
D558,739 S	1/2008	Andre et al.	
D575,275 S	8/2008	Andre et al.	
D578,110 S	10/2008	Andre et al.	
D578,512 S	10/2008	Andre et al.	
D580,855 S *	11/2008	Haspil et al. ....	D13/108
D580,856 S *	11/2008	Haspil et al. ....	D13/108
D582,887 S *	12/2008	Poandl .....	D14/172
2006/0250764 A1	11/2006	Howarth et al.	
2007/0047198 A1	3/2007	Crooijmans et al.	

OTHER PUBLICATIONS

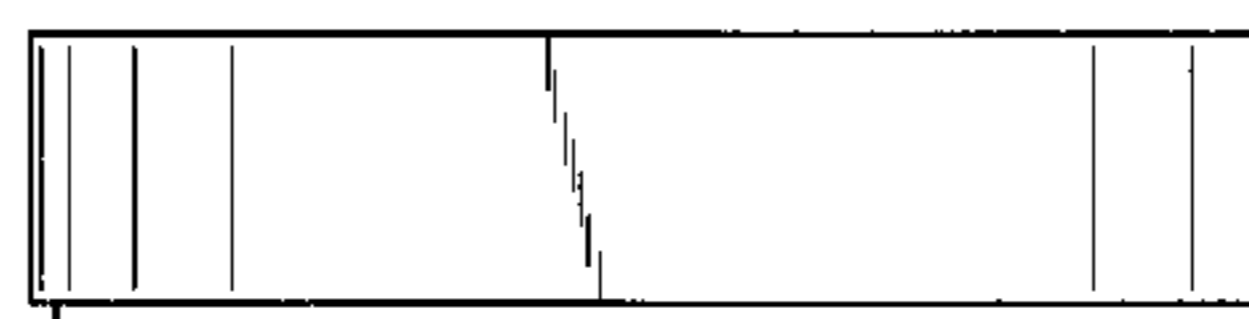
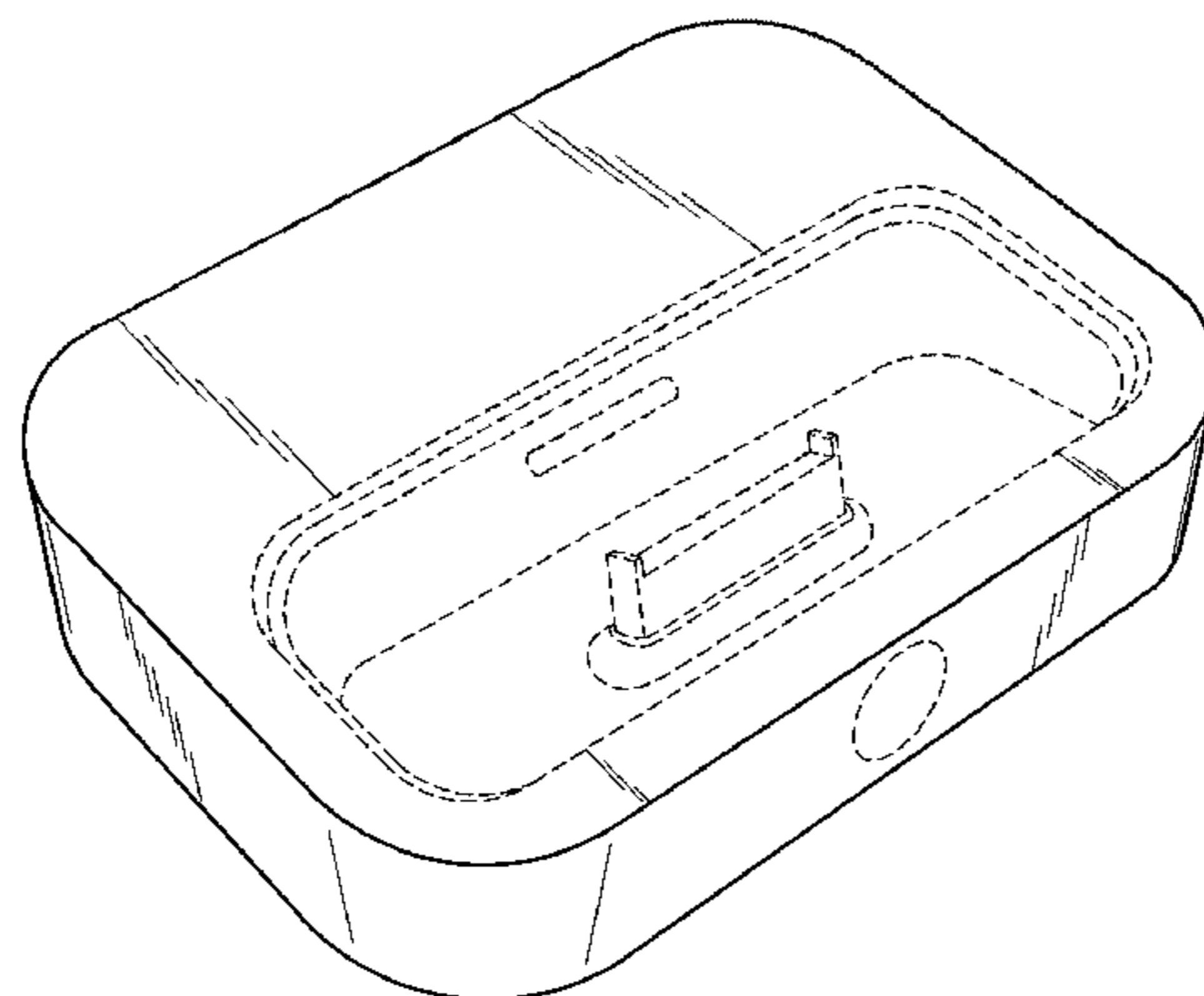
U.S. Appl. No. 29/237,687 entitled "Docking Station" filed Sep. 2, 2005.  
U.S. Appl. No. 29/296,895 entitled "Docking Station" filed Oct. 30, 2007.  
U.S. Appl. No. 29/319,154 entitled "Stand" filed Jun. 4, 2008.  
U.S. Appl. No. 29/319,238 entitled "Stand" filed Jun. 5, 2008.

\* cited by examiner

*Primary Examiner*—Stella M Reid

*Assistant Examiner*—Keli L Hill

(74) *Attorney, Agent, or Firm*—Sterne Kessler Goldstein & Fox P.L.L.C.



(57)

**CLAIM**

The ornamental design for a docking station, as shown and described.

**DESCRIPTION**

This application is related to U.S. application Ser. No. 29/296,825, filed Oct. 29, 2007, which is now U.S. Pat. No. D575,275 and to U.S. application Ser. No. 29/237,084, filed Aug. 24, 2005, which is now U.S. Pat. No. D558,738. The disclosures of application Ser. Nos. 29/282,424, 29/237,233, and 29/296,825 are herein incorporated in their entireties by reference thereto.

FIG. 1 is a front perspective view of a docking station showing our new design;

FIG. 2 is a rear perspective view thereof;

FIG. 3 is a top view thereof;

FIG. 4 is a bottom view thereof;

FIG. 5 is a front view thereof;

FIG. 6 is a rear view thereof;

FIG. 7 is a left side view thereof;

FIG. 8 is a right side view thereof;

FIG. 9 is an exemplary perspective view of how a docking system can incorporate a dock insert with the docking station; and,

FIGS. 10–13 are exemplary top views of a docking system that incorporates different dock inserts into the docking station.

Various examples of dock insert embodiments are shown and described, for example, in (i) U.S. Design patent application Ser. No. 29/237,097, filed Aug. 24, 2005, now U.S. Pat. No. D552,085; (ii) U.S. Design patent application Ser. No. 29/237,111, filed Aug. 24, 2005, now U.S. Pat. No. D551,212; and (iii) U.S. Design patent application Ser. No. 29/237,112, filed Aug. 24, 2005, now U.S. Pat. No. D551,213.

The broken lines in the Figures are for illustrating environmental structure only and form no part of the claimed design.

**1 Claim, 6 Drawing Sheets**

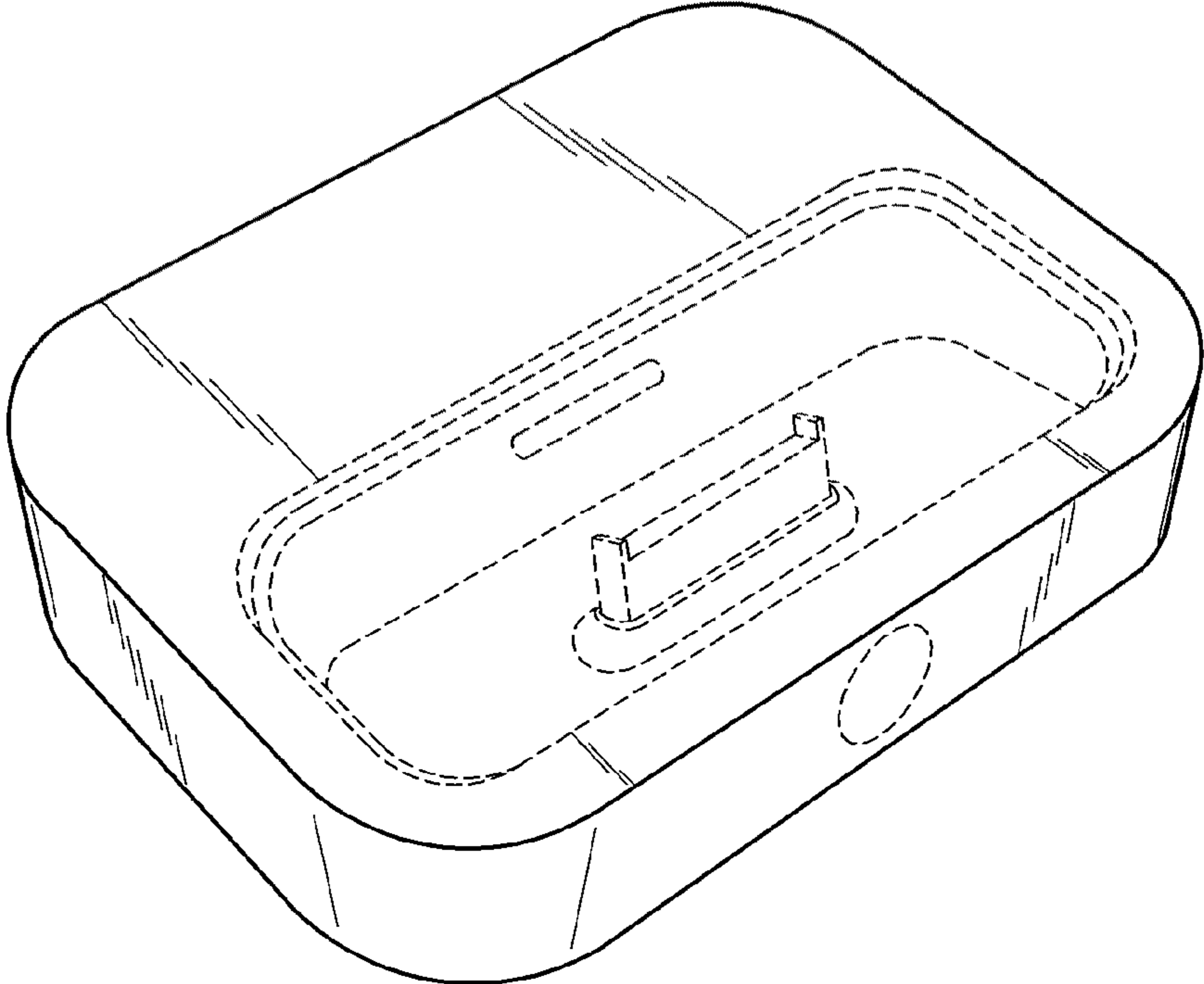


FIG. 1

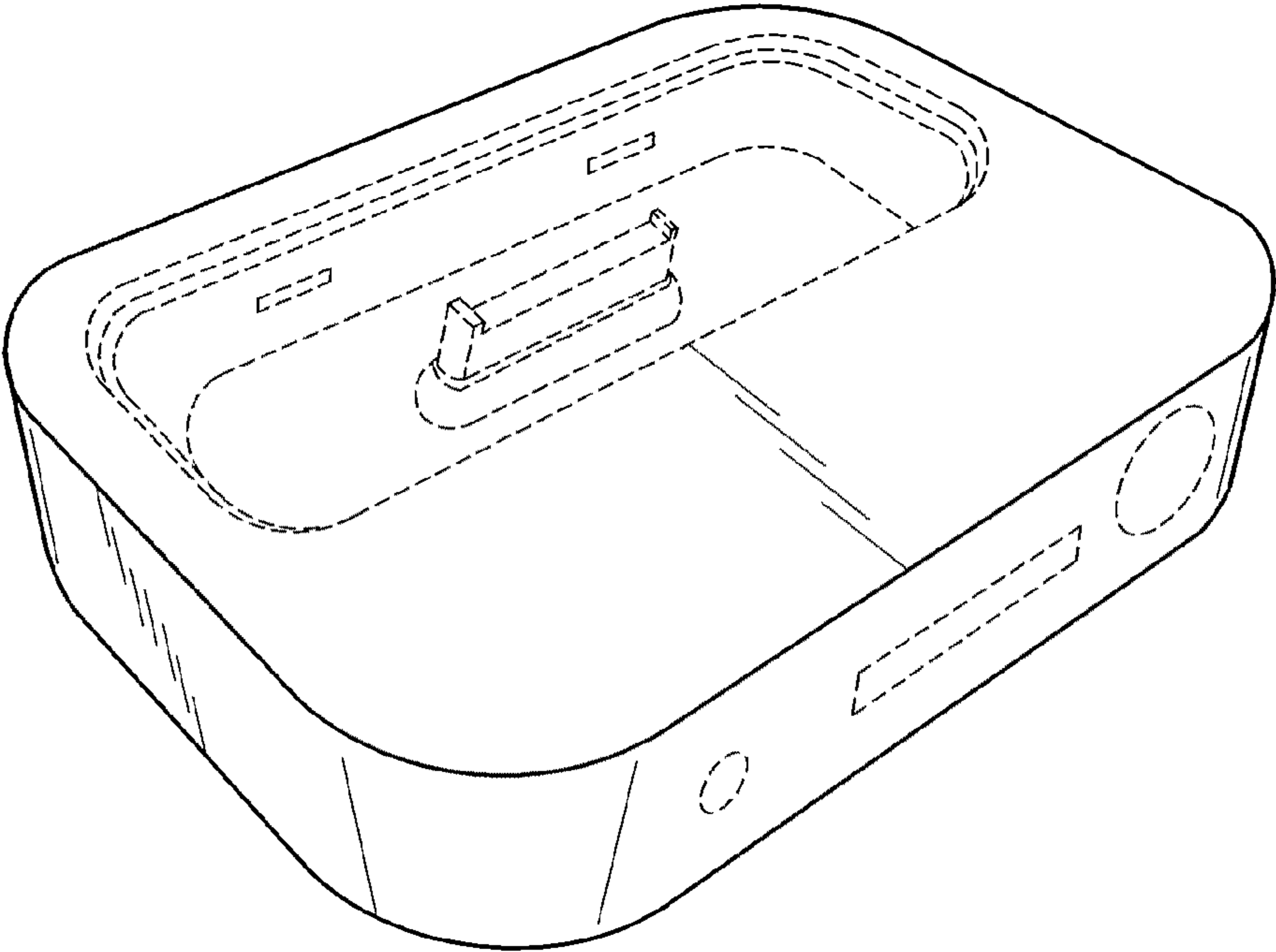
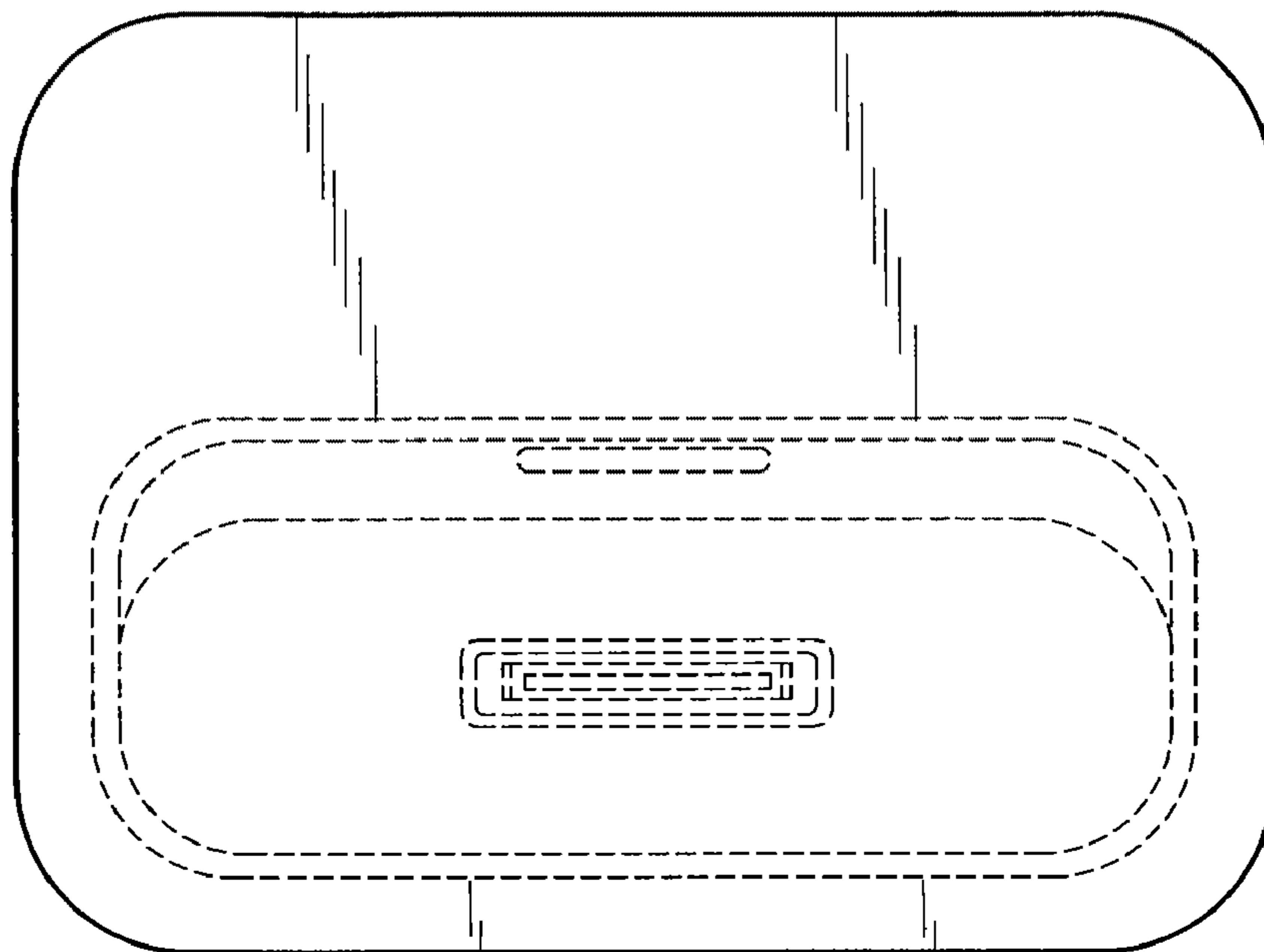
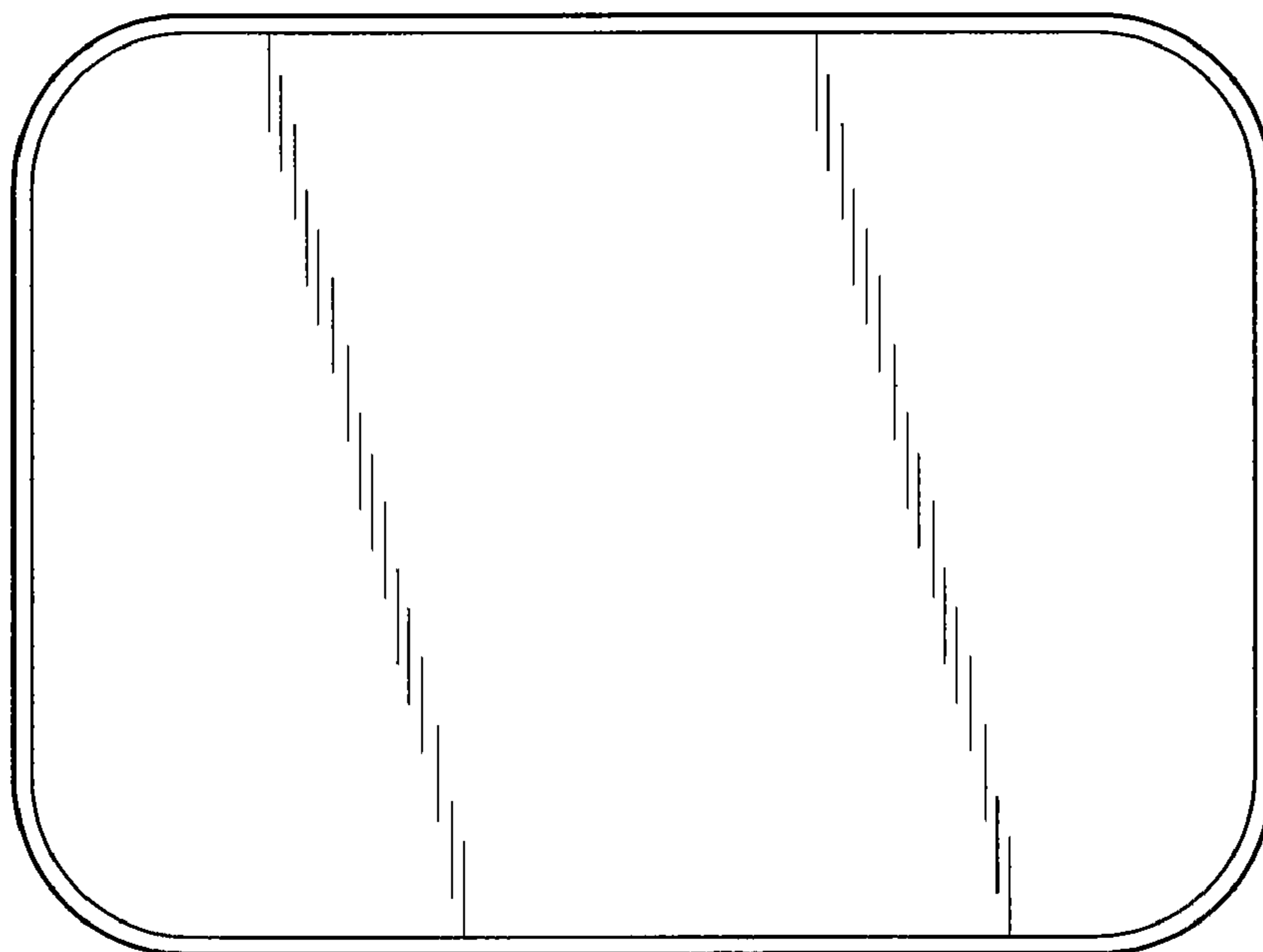


FIG. 2



*FIG. 3*



*FIG. 4*

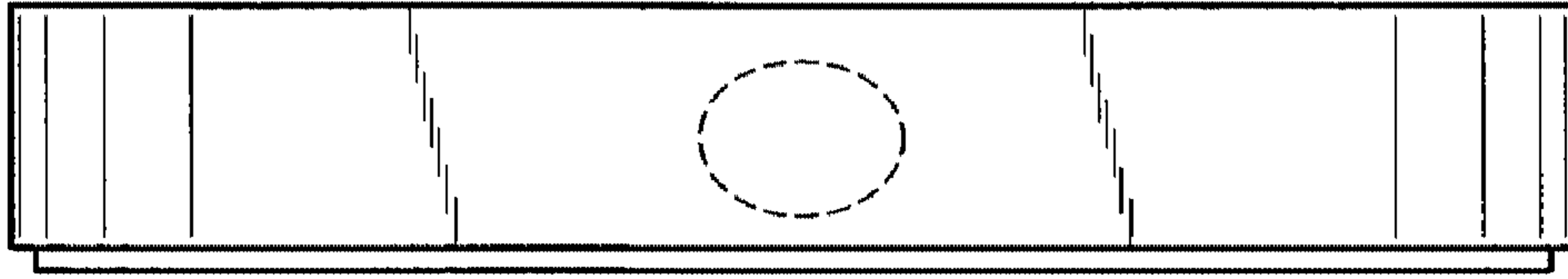


FIG. 5

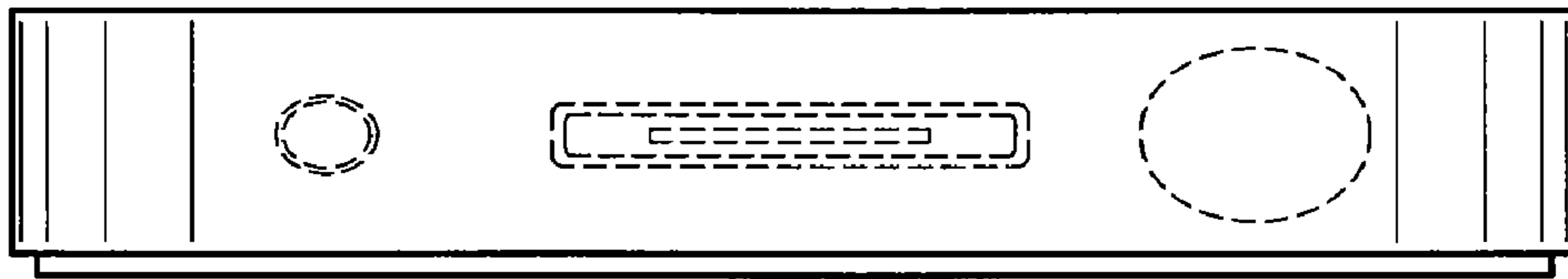


FIG. 6

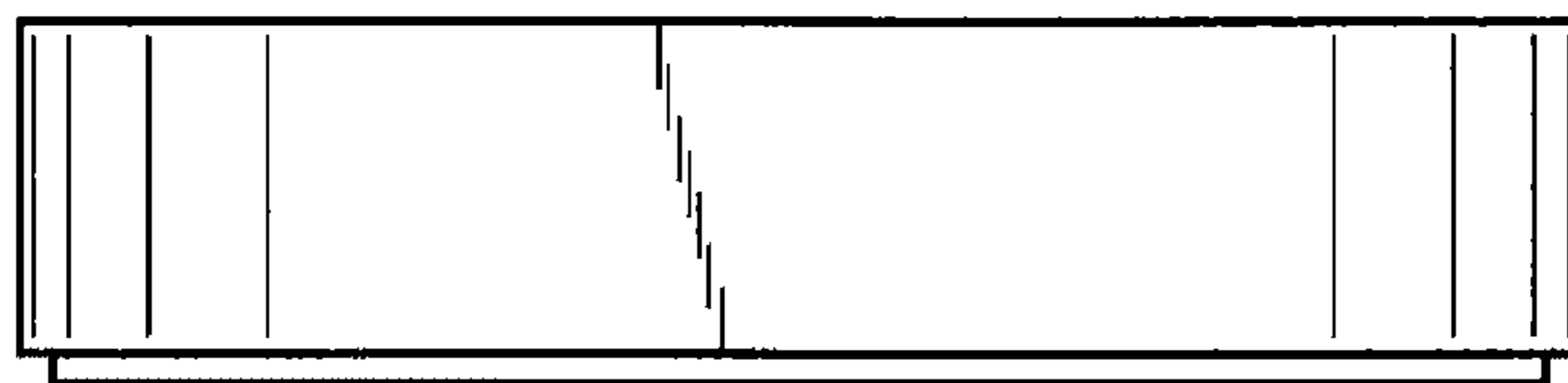


FIG. 7

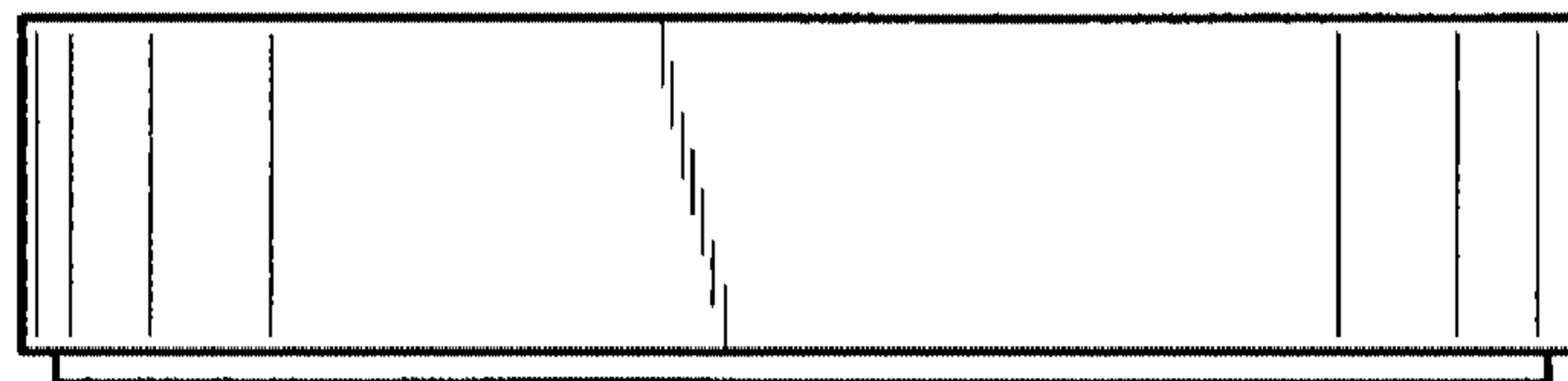


FIG. 8

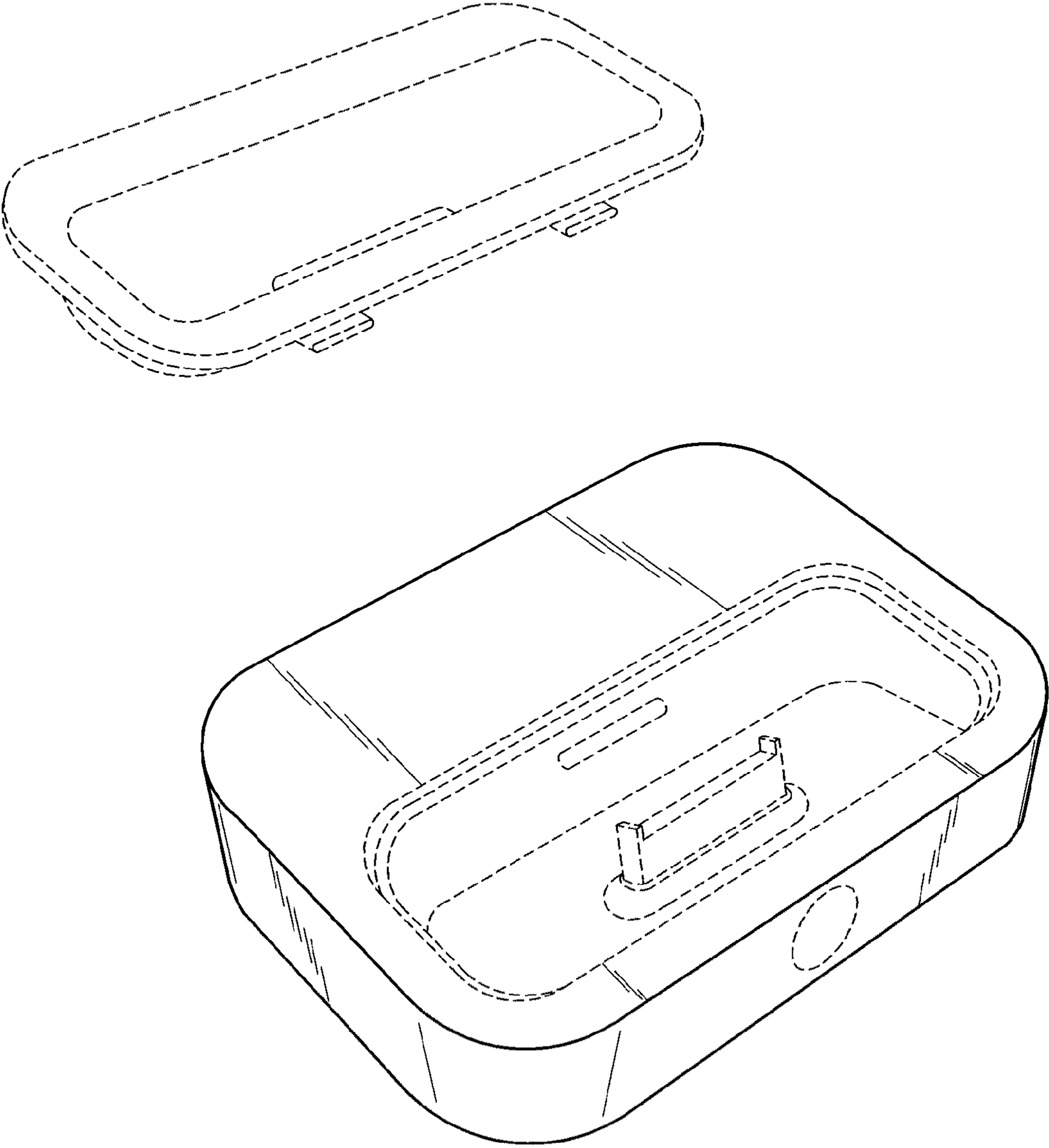


FIG. 9

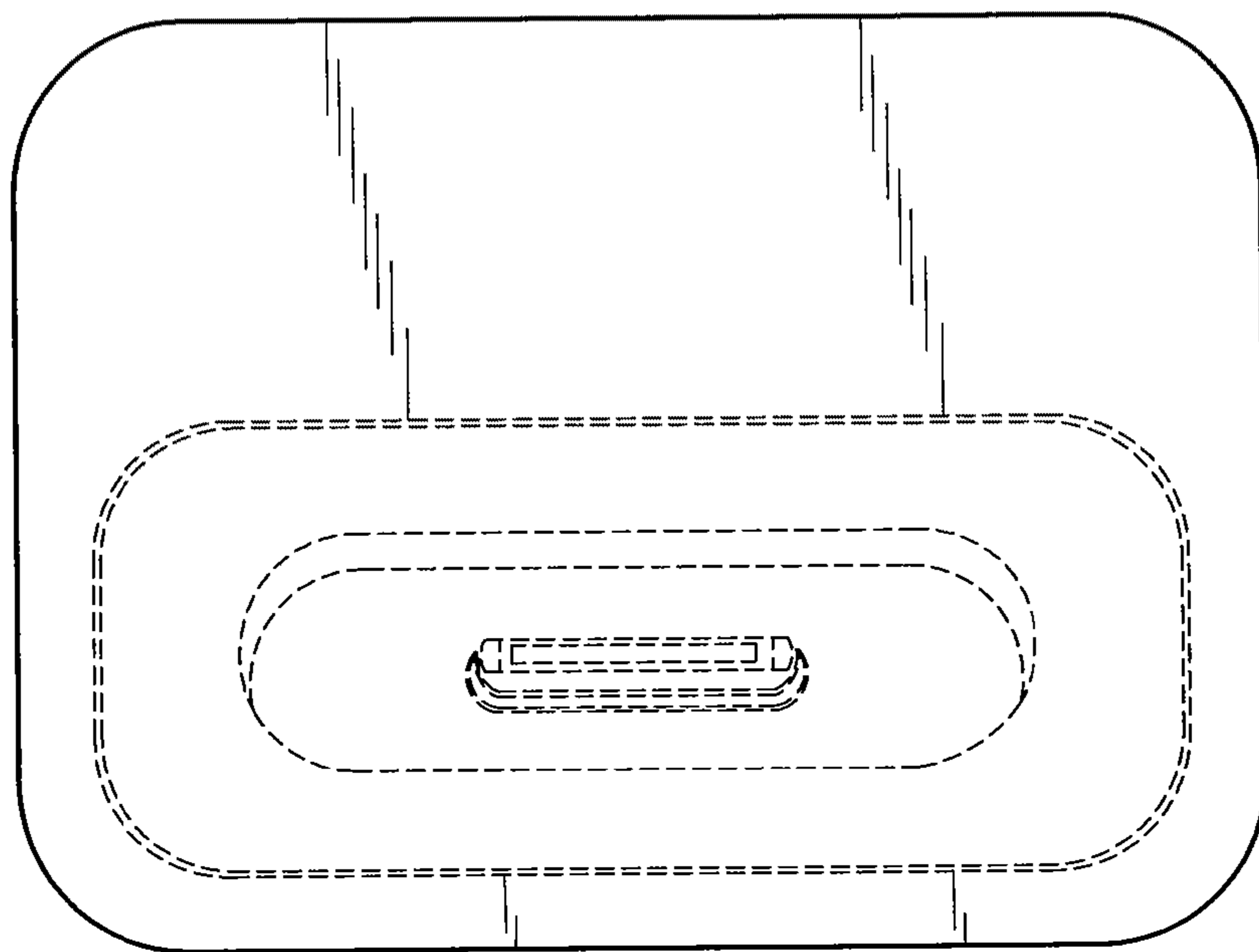


FIG. 10

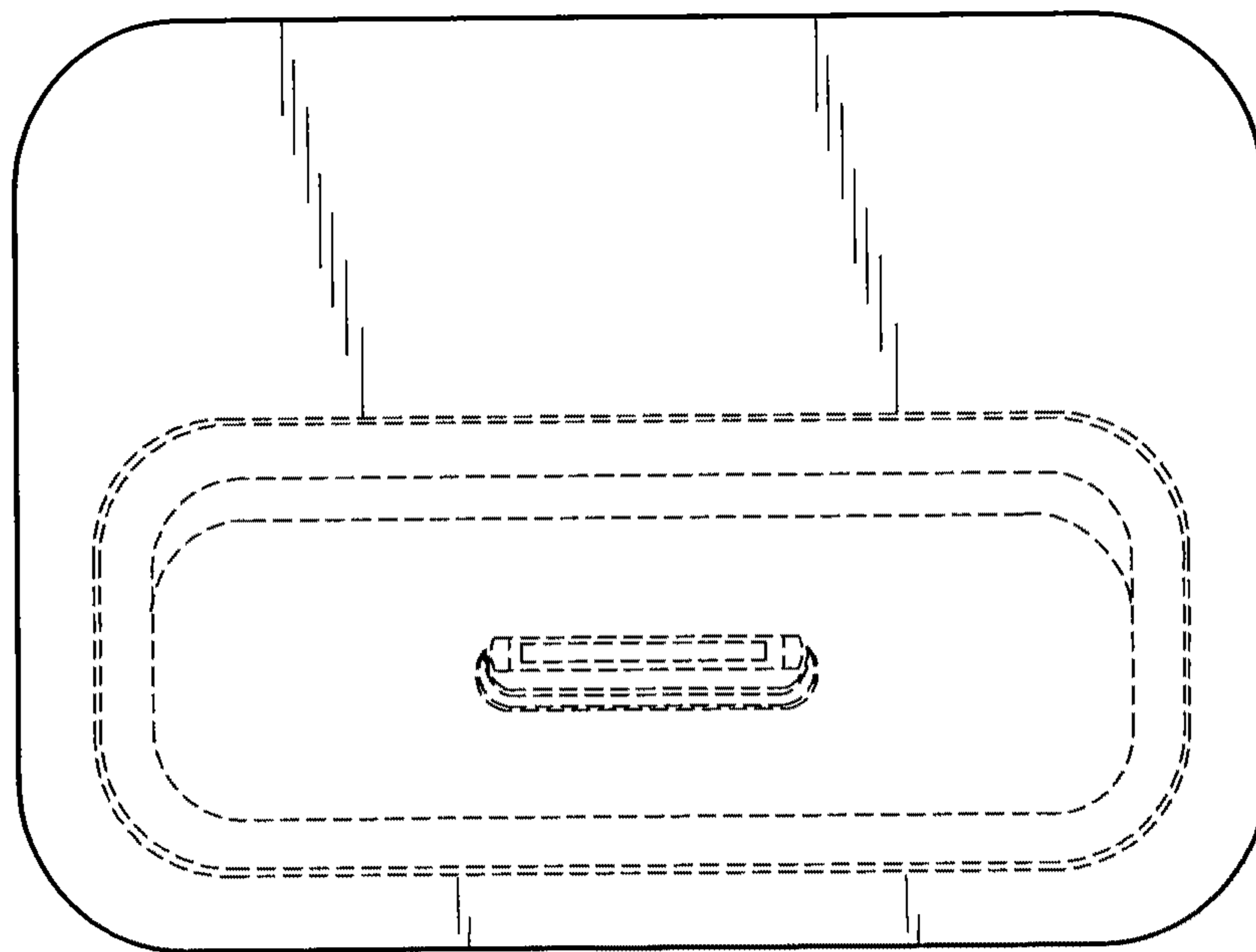


FIG. 11

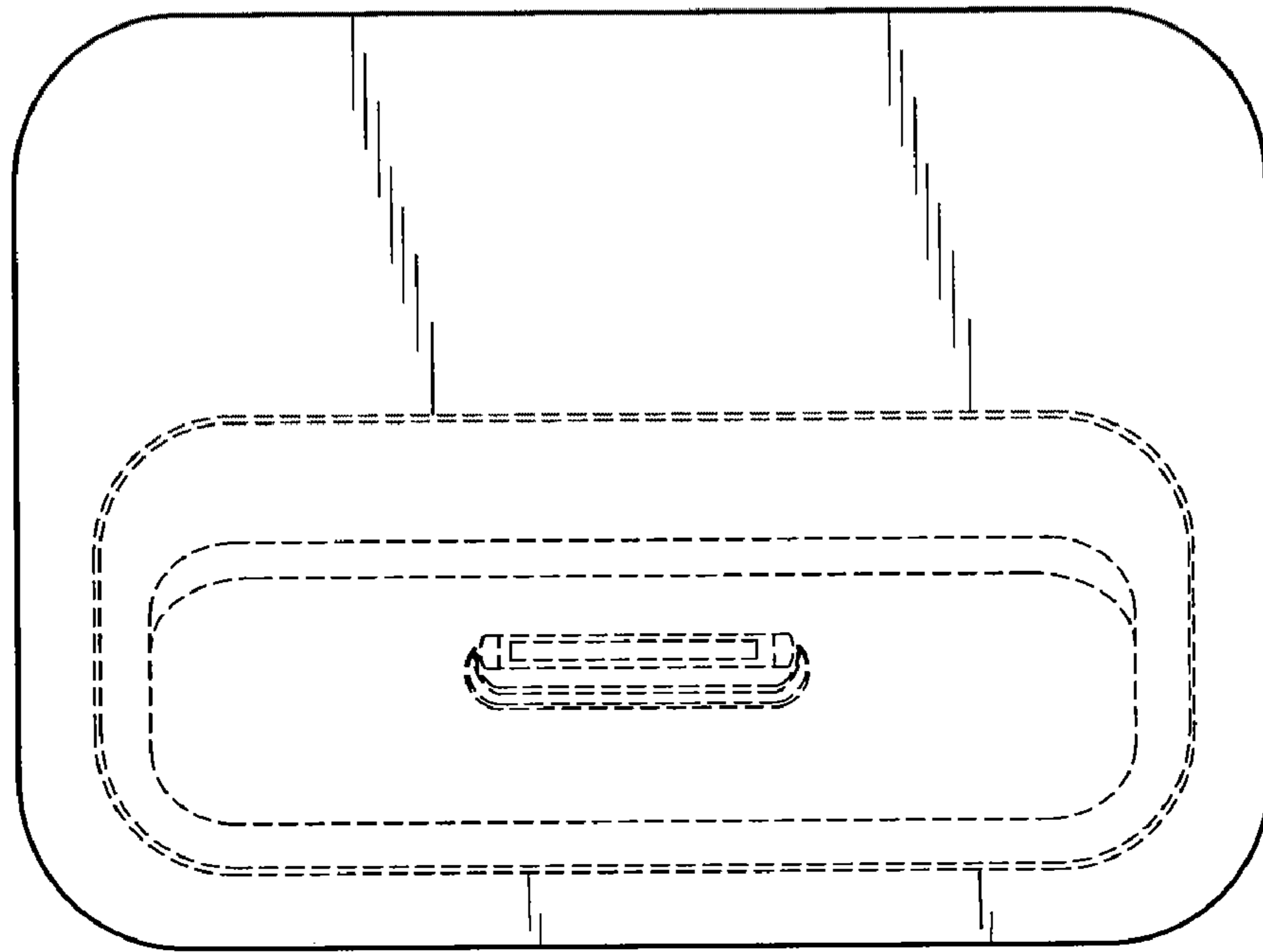


FIG. 12

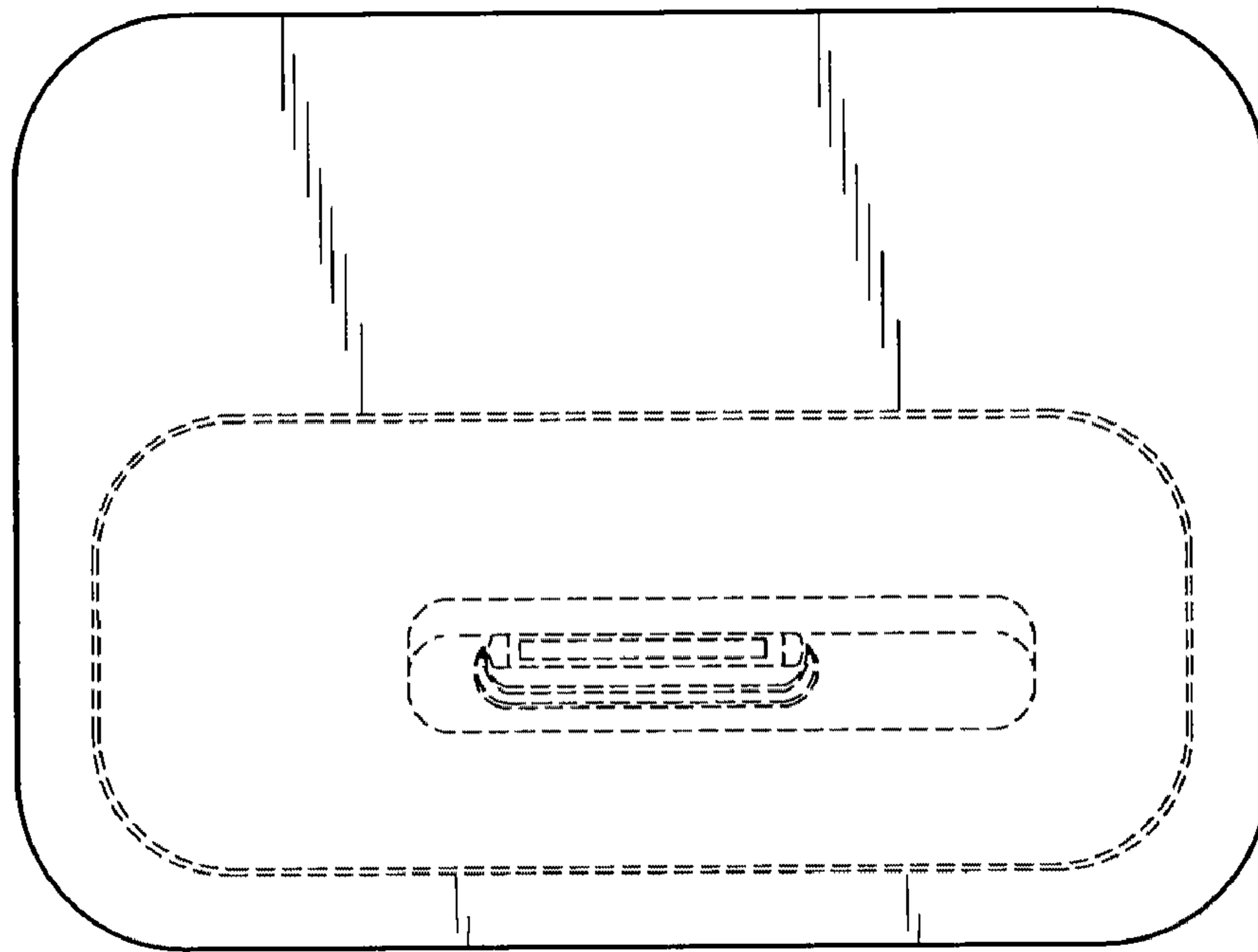


FIG. 13