

US00D596620S

(12) **United States Design Patent**
Ichikawa et al.

(10) **Patent No.:** **US D596,620 S**
(45) **Date of Patent:** **** Jul. 21, 2009**

(54) **SPEAKER FOR VEHICLE**

D522,496 S 6/2006 Smith et al.

(75) Inventors: **Takashi Ichikawa**, Tokyo (JP); **Hiroshi Fujimoto**, Yachiyo (JP)

OTHER PUBLICATIONS

(73) Assignee: **Alpine Electronics, Inc.**, Tokyo (JP)

U.S. Appl. No. 29/261,782, inventor Taro Iwamoto, filed Jun. 20, 2006.*
U.S. Appl. No. 29/288,555, inventor Takashi Ichikawa, filed Jun. 14, 2007.*
U.S. Appl. No. 29/308,156, inventor Ichikawa et al., filed May 30, 2008.*

(**) Term: **14 Years**

* cited by examiner

(21) Appl. No.: **29/308,161**

(22) Filed: **May 30, 2008**

Primary Examiner—Nanda Bondade

(30) **Foreign Application Priority Data**

(74) *Attorney, Agent, or Firm*—Brinks Hofer Gilson & Lione

Dec. 6, 2007 (JP) 2007-033474

(57) **CLAIM**

(51) **LOC (9) Cl.** **14-01**

We claim the ornamental design for a speaker for vehicle, as shown and described.

(52) **U.S. Cl.** **D14/216**

(58) **Field of Classification Search** D14/204,
D14/209–216, 219–220; 181/143–144, 147–148,
181/150, 157, 198–199, 151, 153; 381/300–302,
381/306, 333, 345, 361–364, 386–388, 332,
381/336

DESCRIPTION

See application file for complete search history.

FIG. 1 is a perspective view of a speaker for vehicle, showing our new, original and ornamental design;
FIG. 2 is a front elevational view thereof;
FIG. 3 is a rear elevational view thereof;
FIG. 4 is a top plan view thereof;
FIG. 5 is a bottom plan view thereof;
FIG. 6 is a left side elevational view thereof; and,
FIG. 7 is a right side elevational view thereof.

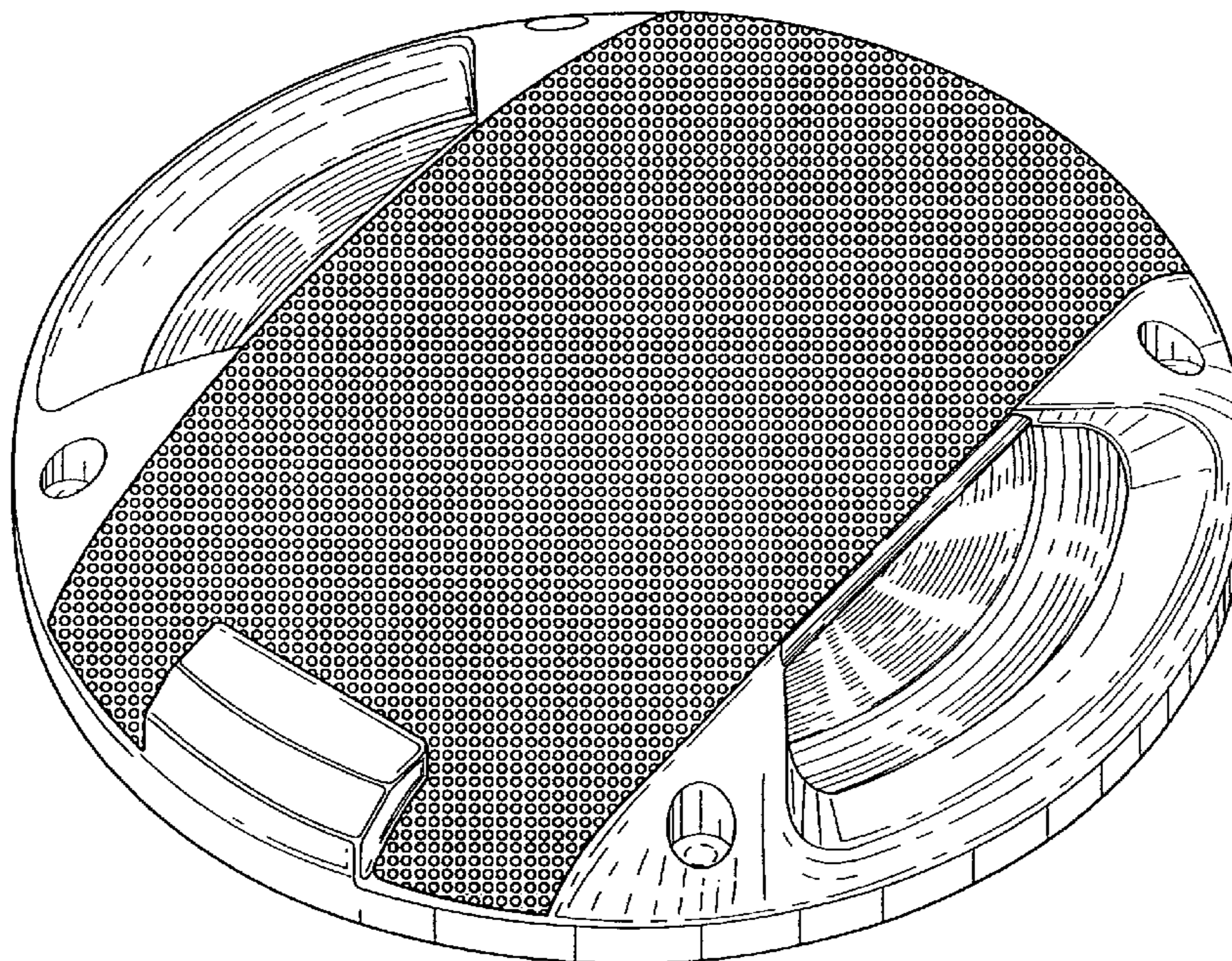
(56) **References Cited**

U.S. PATENT DOCUMENTS

D279,183 S *	6/1985	Yoshikawa	D14/215
D295,741 S *	5/1988	Keitoku	D14/215
D464,298 S	10/2002	Bartholomäi et al.		
D487,076 S *	2/2004	Nakane et al.	D14/216
D488,802 S	4/2004	Uehara et al.		
D489,359 S	5/2004	Hakoda		
D494,566 S	8/2004	Allen		
D497,902 S	11/2004	Farinelli et al.		

The broken line showing on the drawing disclosure is for illustrative purposes only and forms no part of the claimed design.

1 Claim, 6 Drawing Sheets



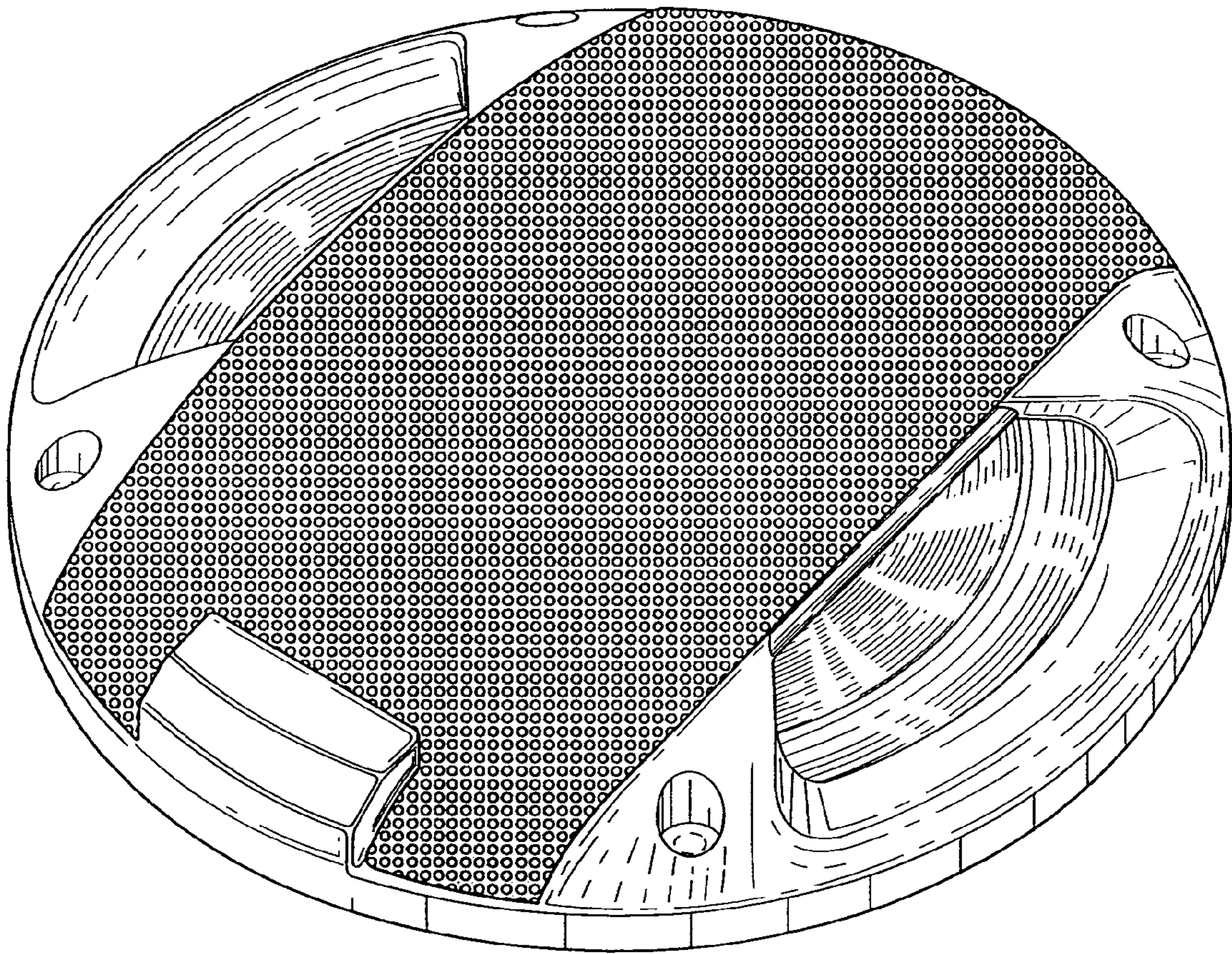


Fig. 1

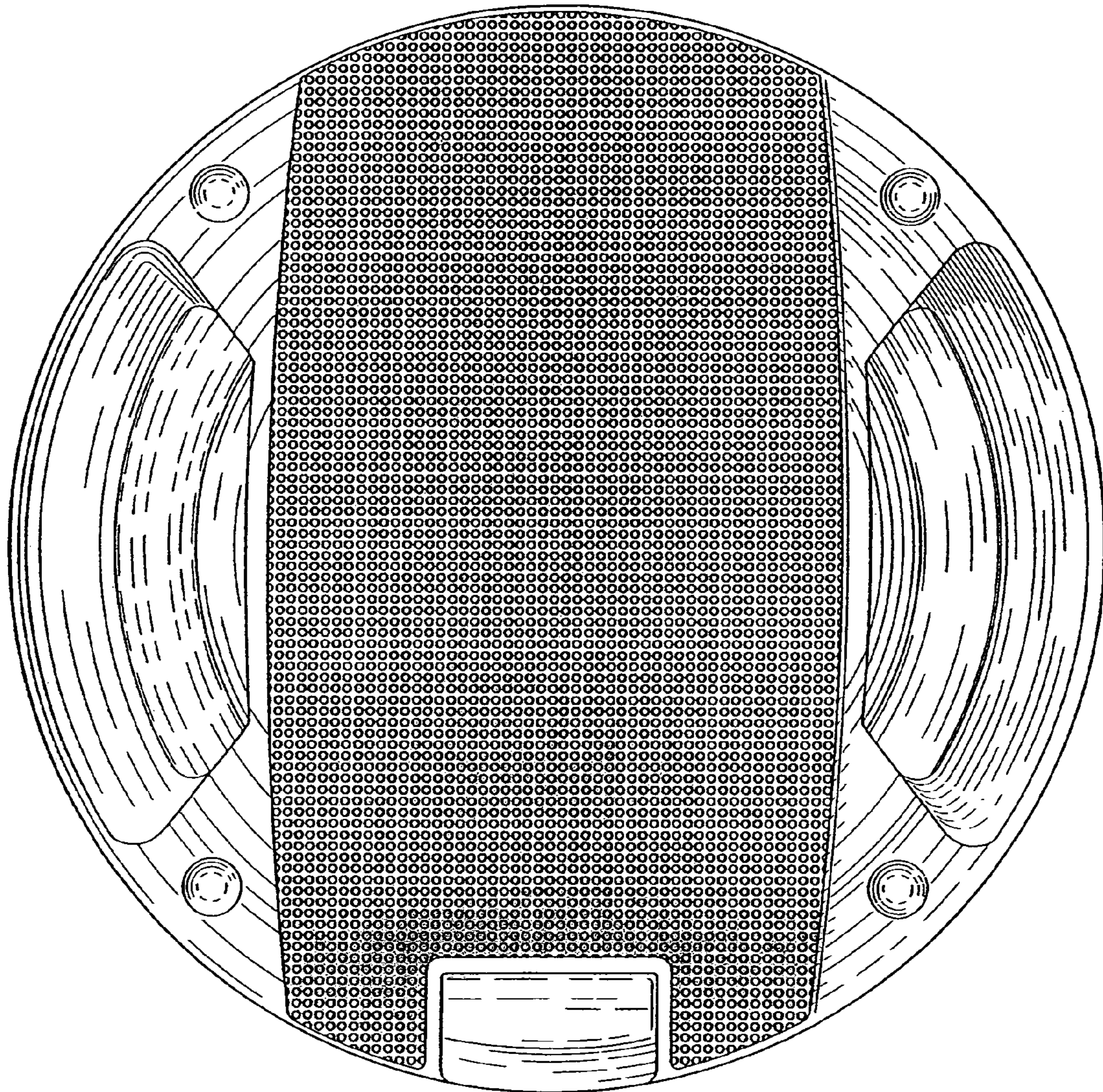


Fig. 2

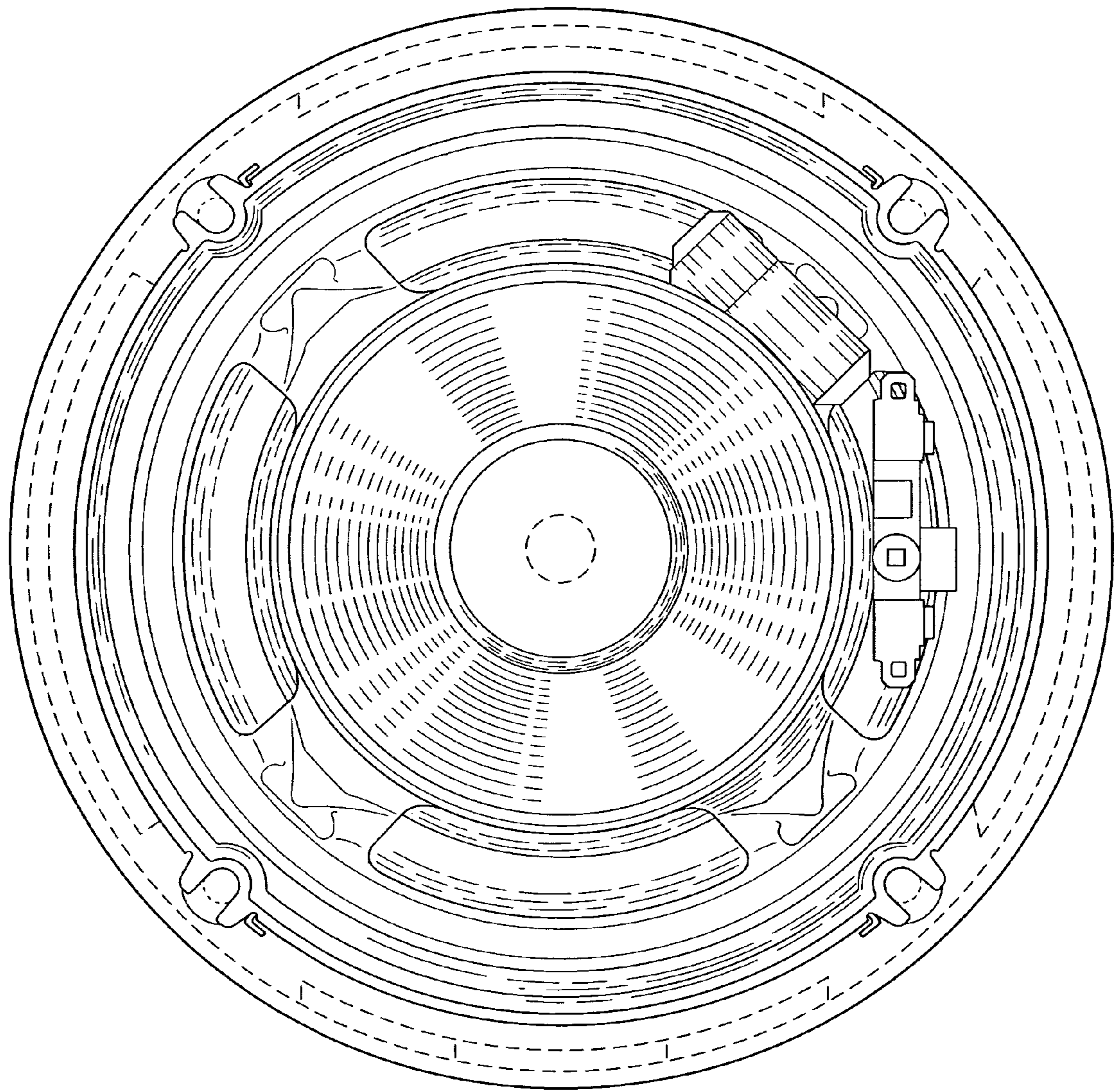


Fig. 3

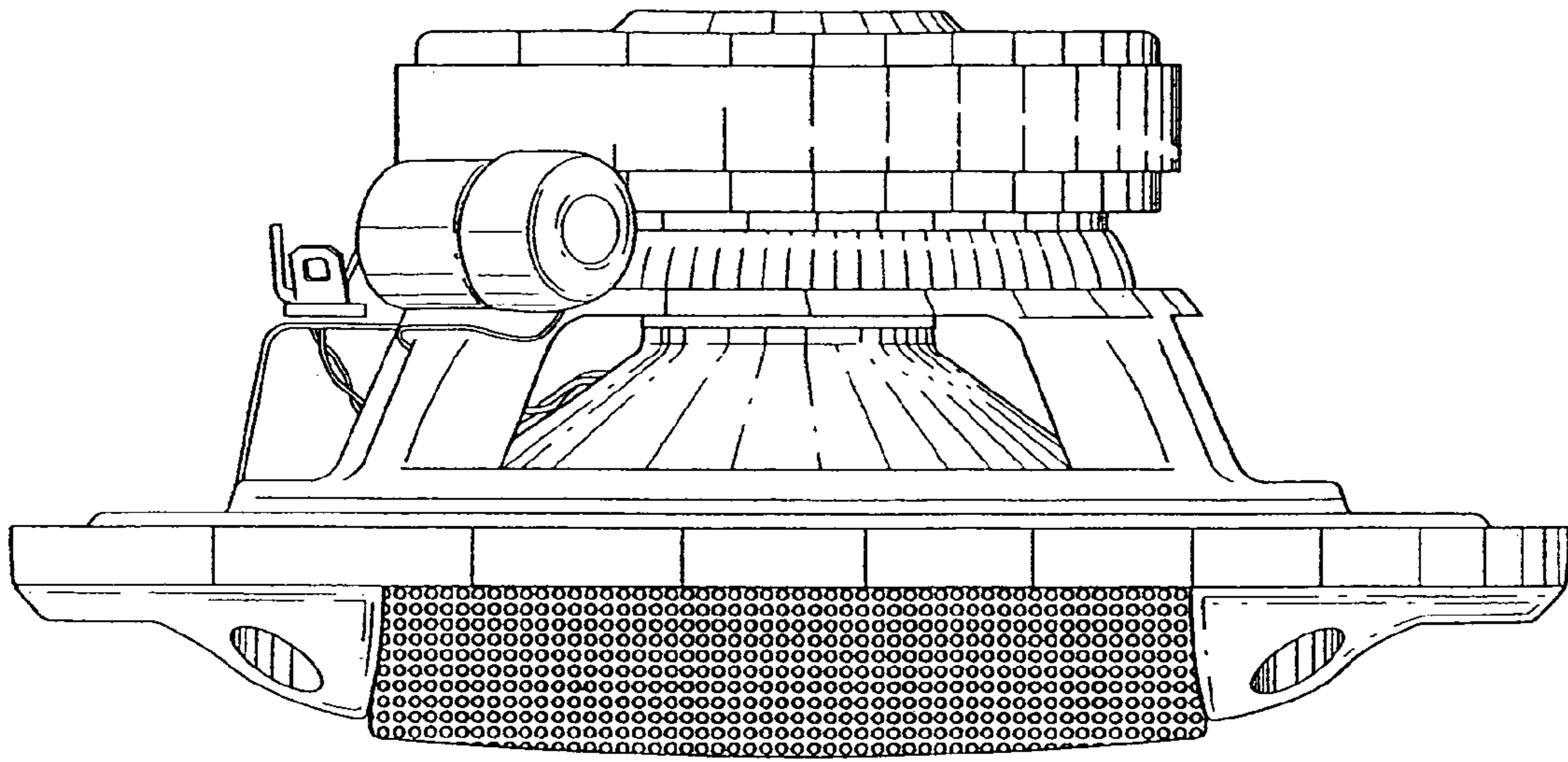


Fig. 4

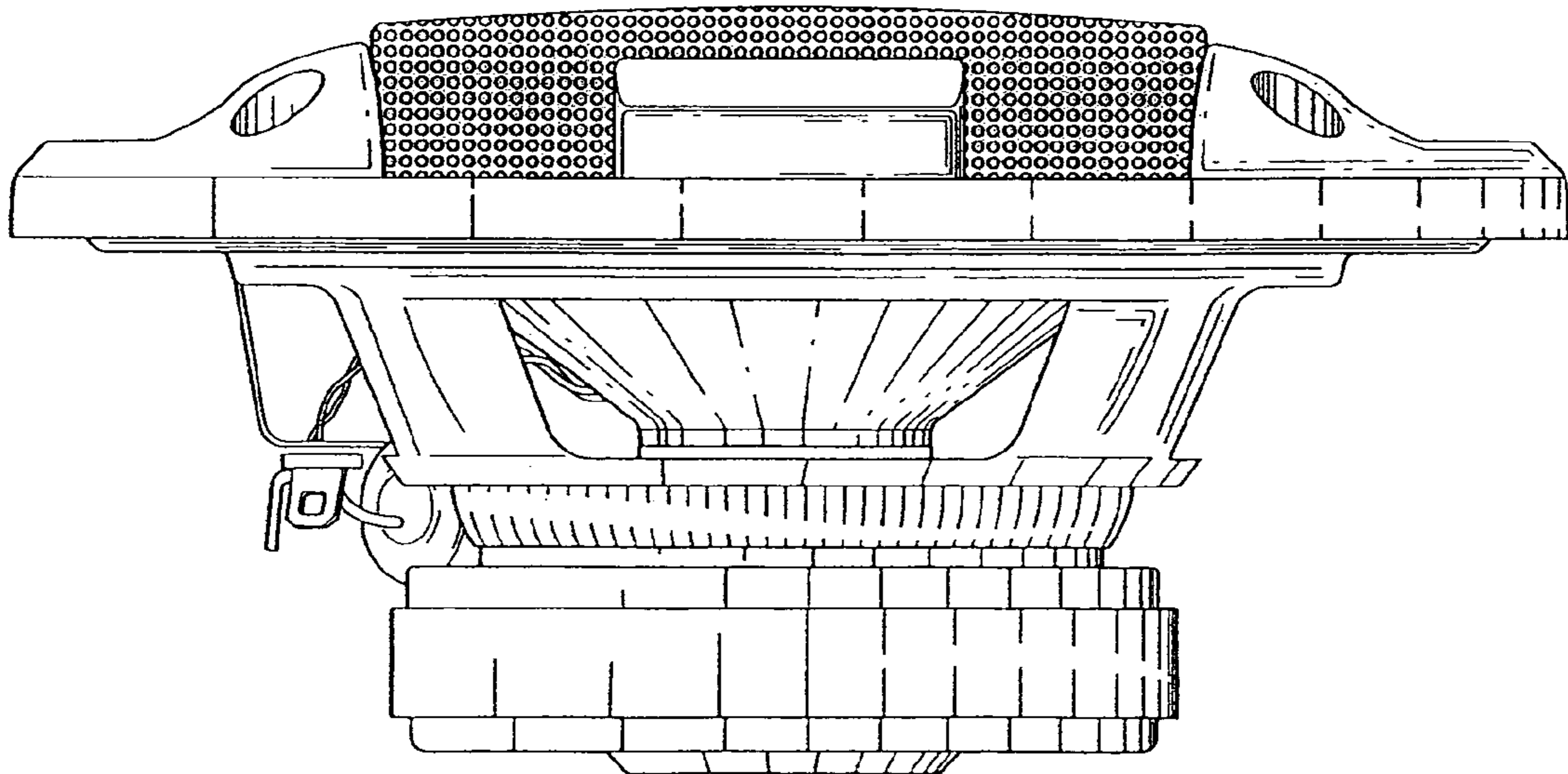


Fig. 5

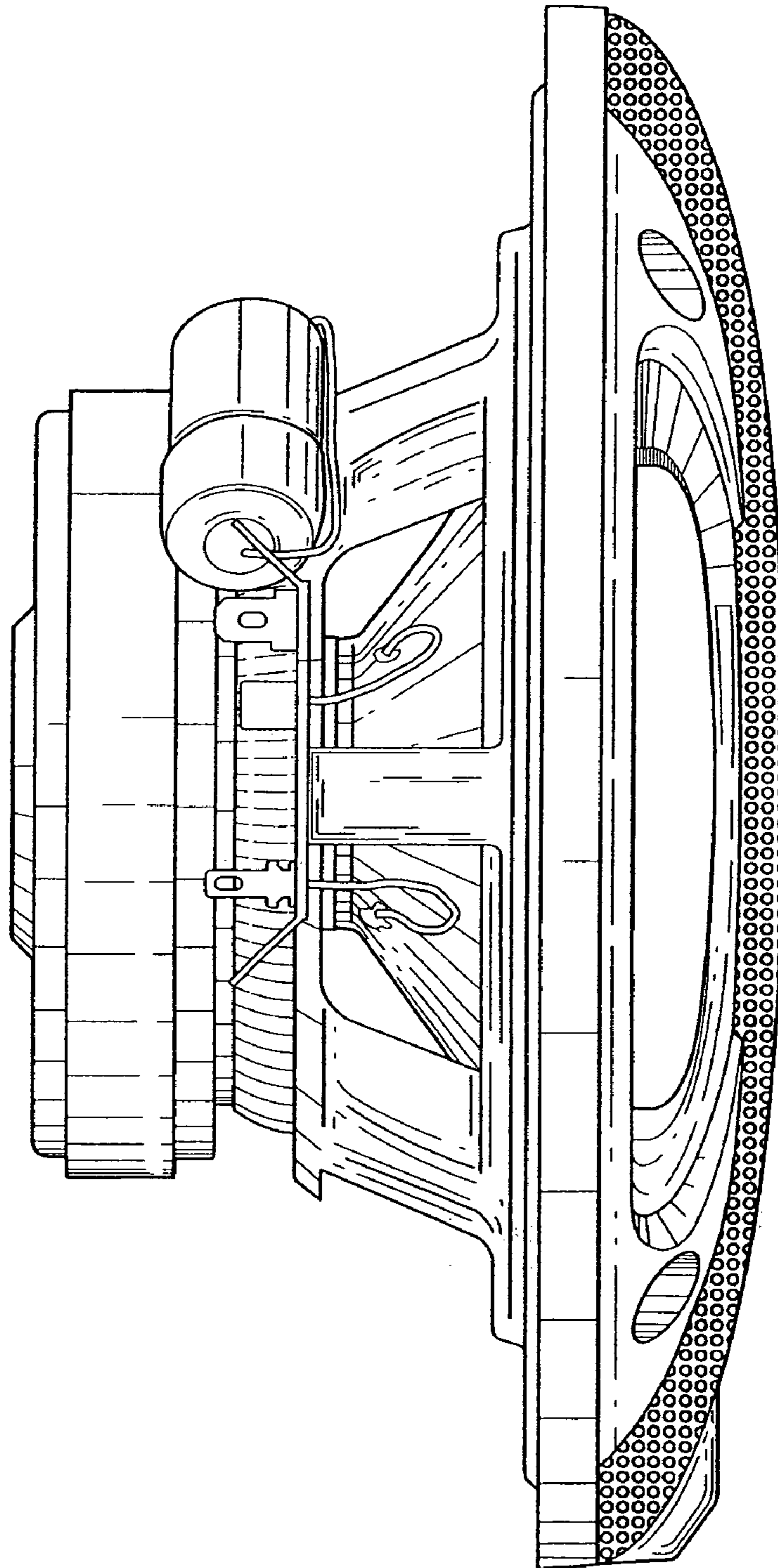


Fig. 6

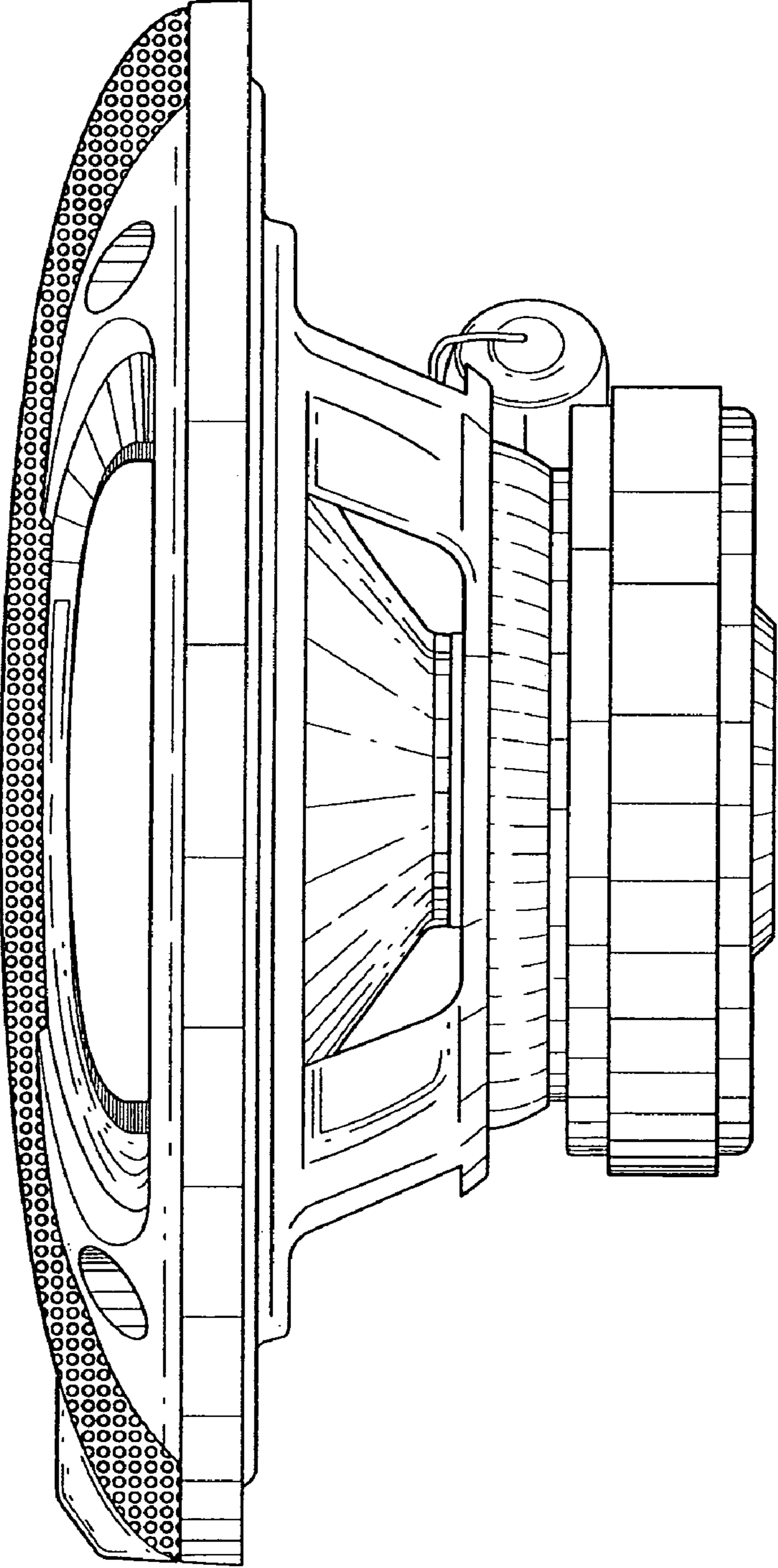


Fig. 7