

US00D596618S

(12) **United States Design Patent**
Zha

(10) **Patent No.:** **US D596,618 S**

(45) **Date of Patent:** **** Jul. 21, 2009**

(54) **LOUDSPEAKER**

(75) Inventor: **Yan Hui Zha**, Shanghai (CN)

(73) Assignee: **Creative Technology Ltd**, Singapore (SG)

(**) Term: **14 Years**

(21) Appl. No.: **29/322,842**

(22) Filed: **Aug. 13, 2008**

(51) **LOC (9) Cl.** **14-01**

(52) **U.S. Cl.** **D14/209.1; D14/203.8**

(58) **Field of Classification Search** D14/203.8, D14/204, 209.1, 210–217, 172, 168; 181/143–144, 181/147–148, 150–153, 157, 198–199; 381/300–303, 381/306, 332–333, 336, 345, 361–364, 386–388
See application file for complete search history.

(56) **References Cited**

U.S. PATENT DOCUMENTS

D527,018 S * 8/2006 Christianson D14/209.1
D555,632 S * 11/2007 Iikura D14/168

D556,188 S * 11/2007 Ang et al. D14/214

* cited by examiner

Primary Examiner—Nanda Bondade

(74) *Attorney, Agent, or Firm*—Kennedy Koblin

(57) **CLAIM**

The ornamental design for a loudspeaker, substantially as shown and described.

DESCRIPTION

FIG. 1 is a front perspective view of a loudspeaker in accordance with the present design;

FIG. 2 is a rear perspective view thereof;

FIG. 3 is a front elevational view thereof;

FIG. 4 is a rear elevational view thereof;

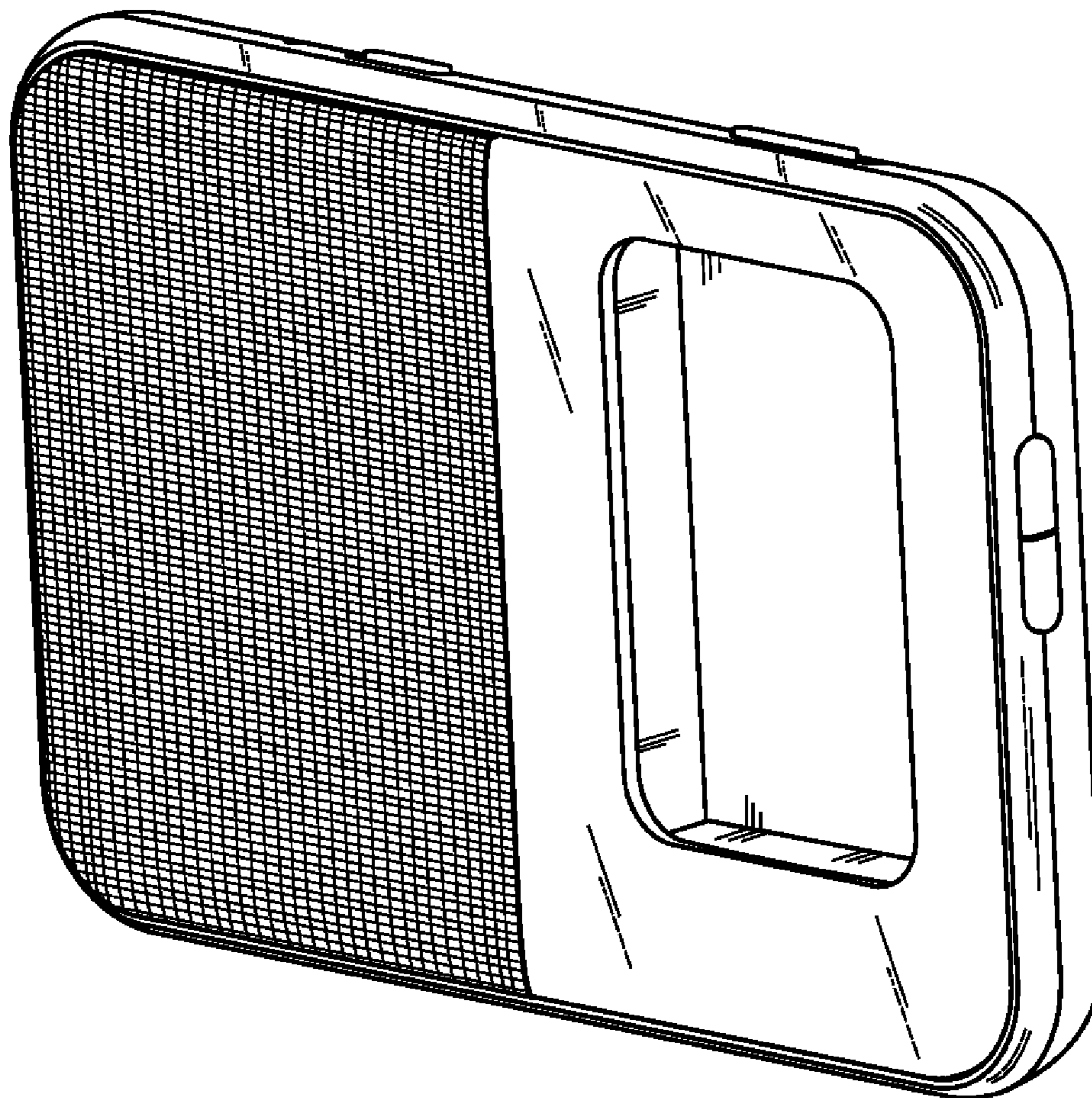
FIG. 5 is a left side elevational view thereof;

FIG. 6 is a right side elevational view thereof;

FIG. 7 is a top plan view thereof; and,

FIG. 8 is a bottom plan view thereof.

1 Claim, 4 Drawing Sheets



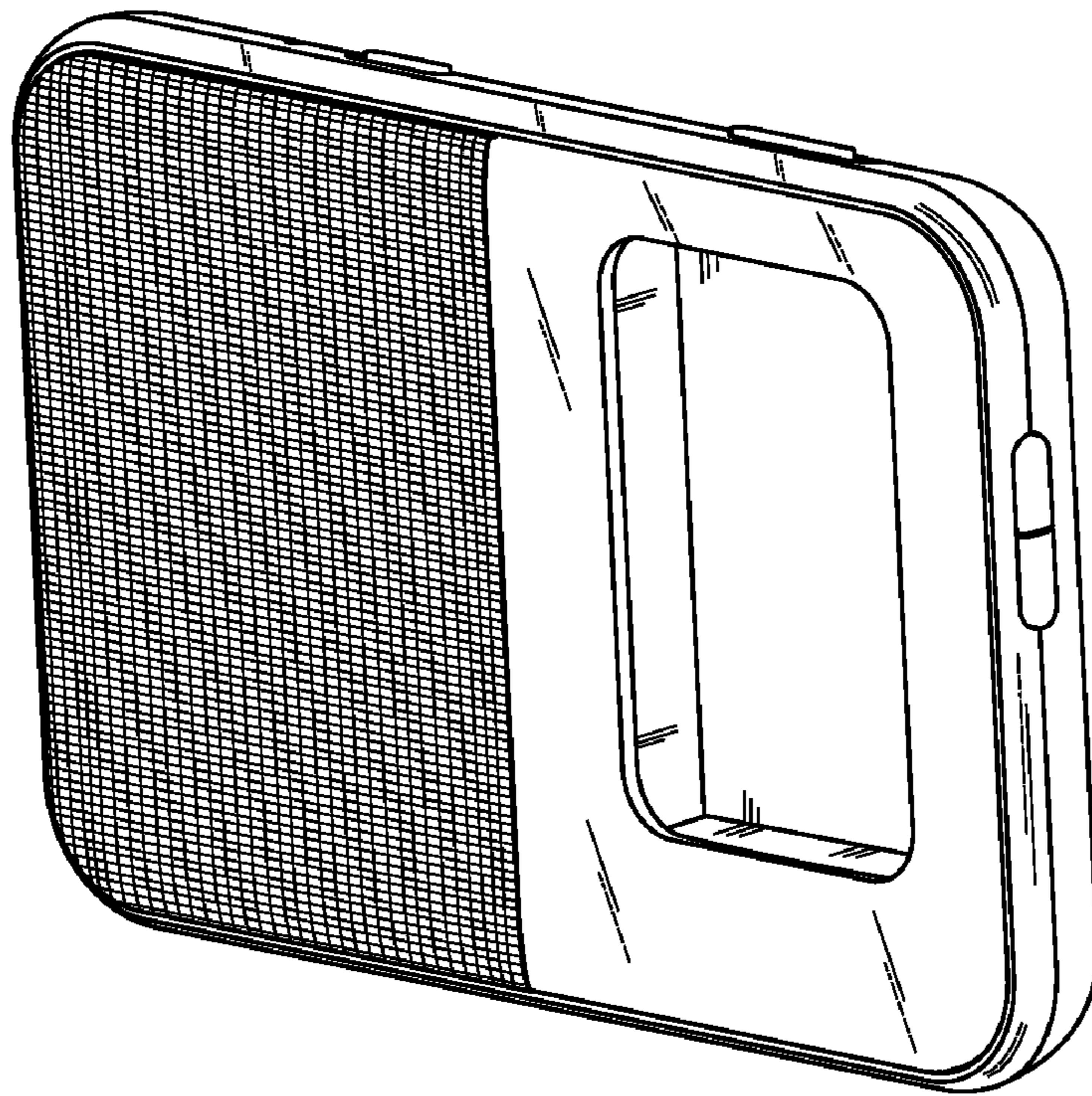


FIG. 1

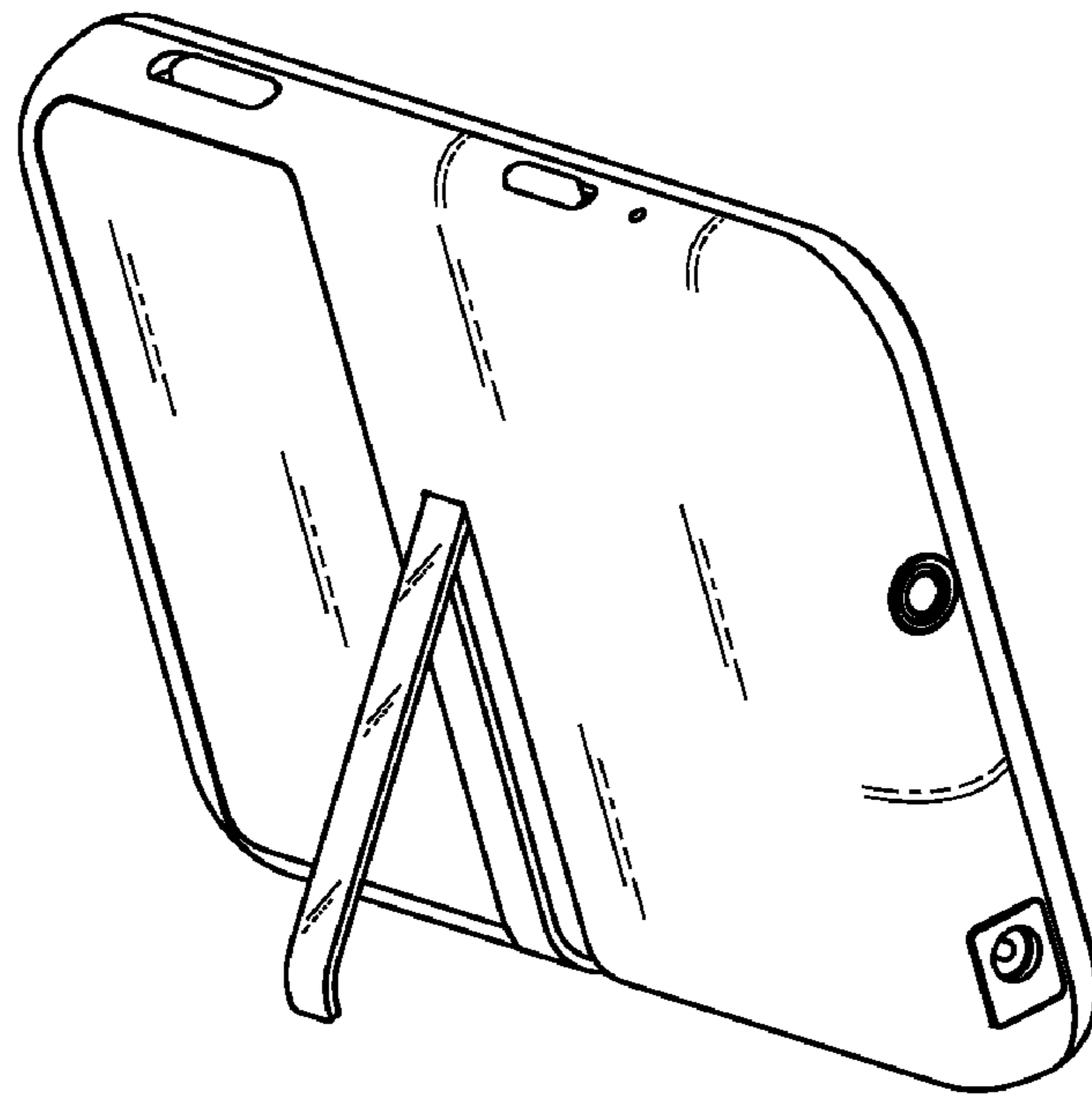


FIG. 2

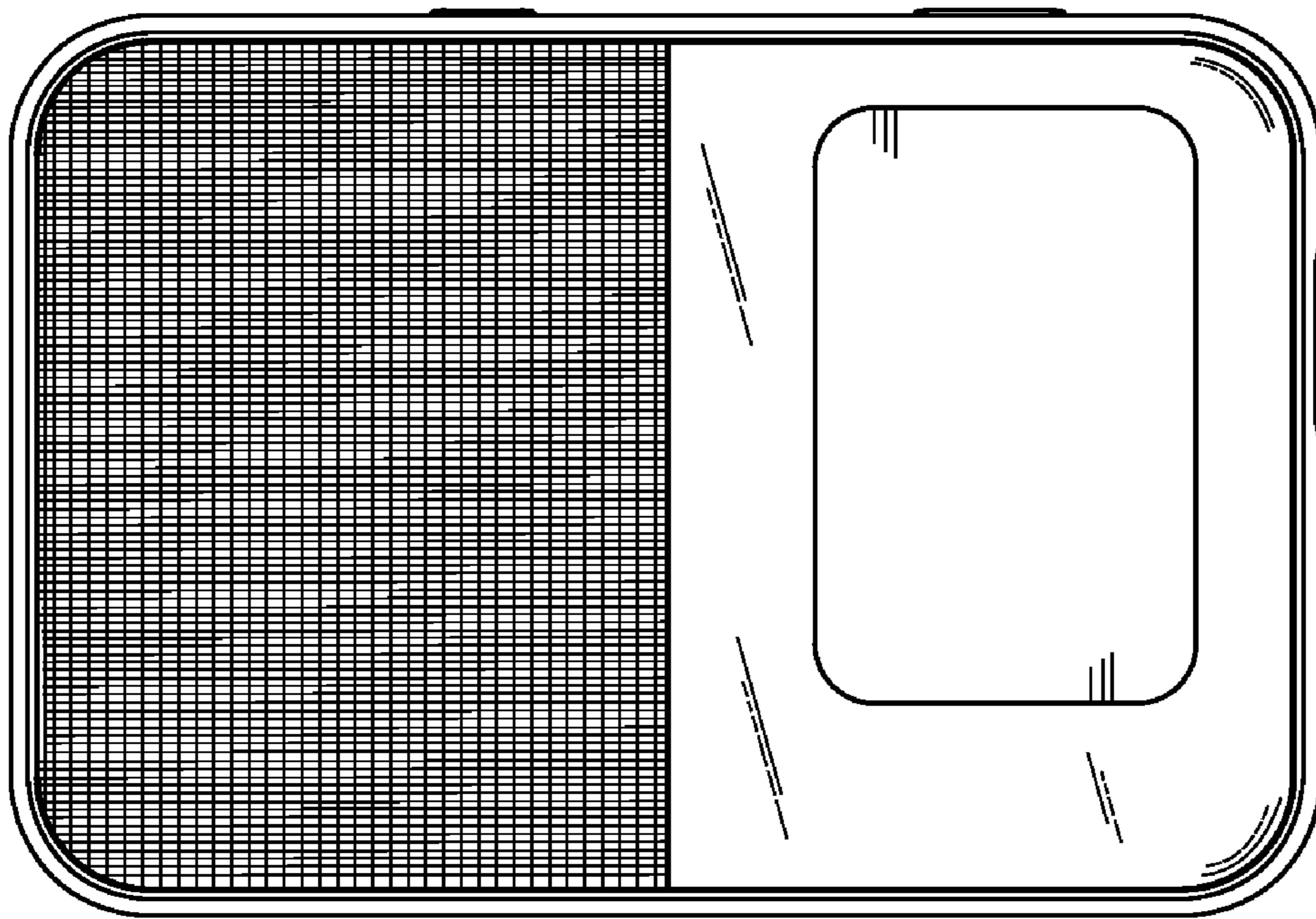


FIG. 3

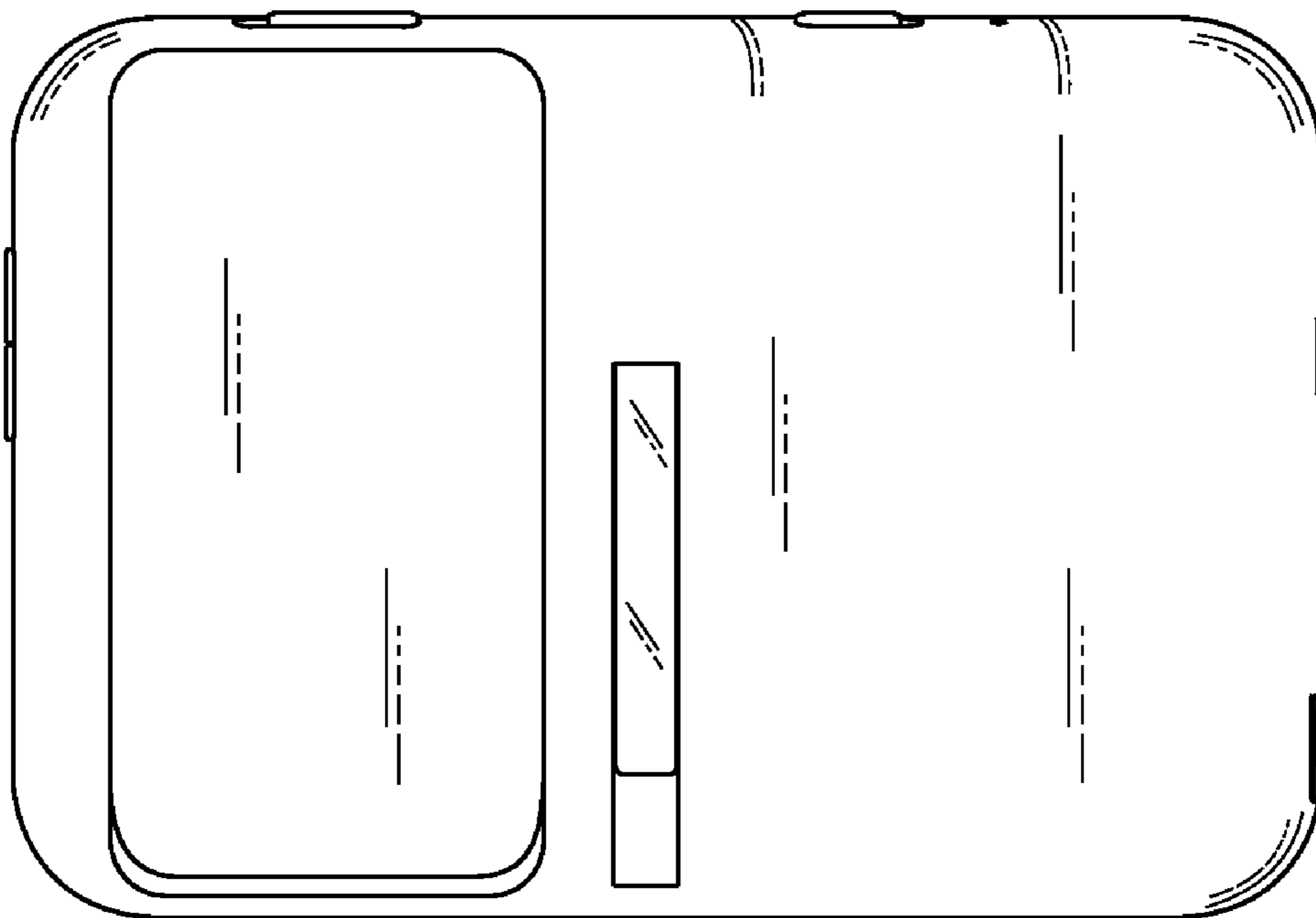


FIG. 4

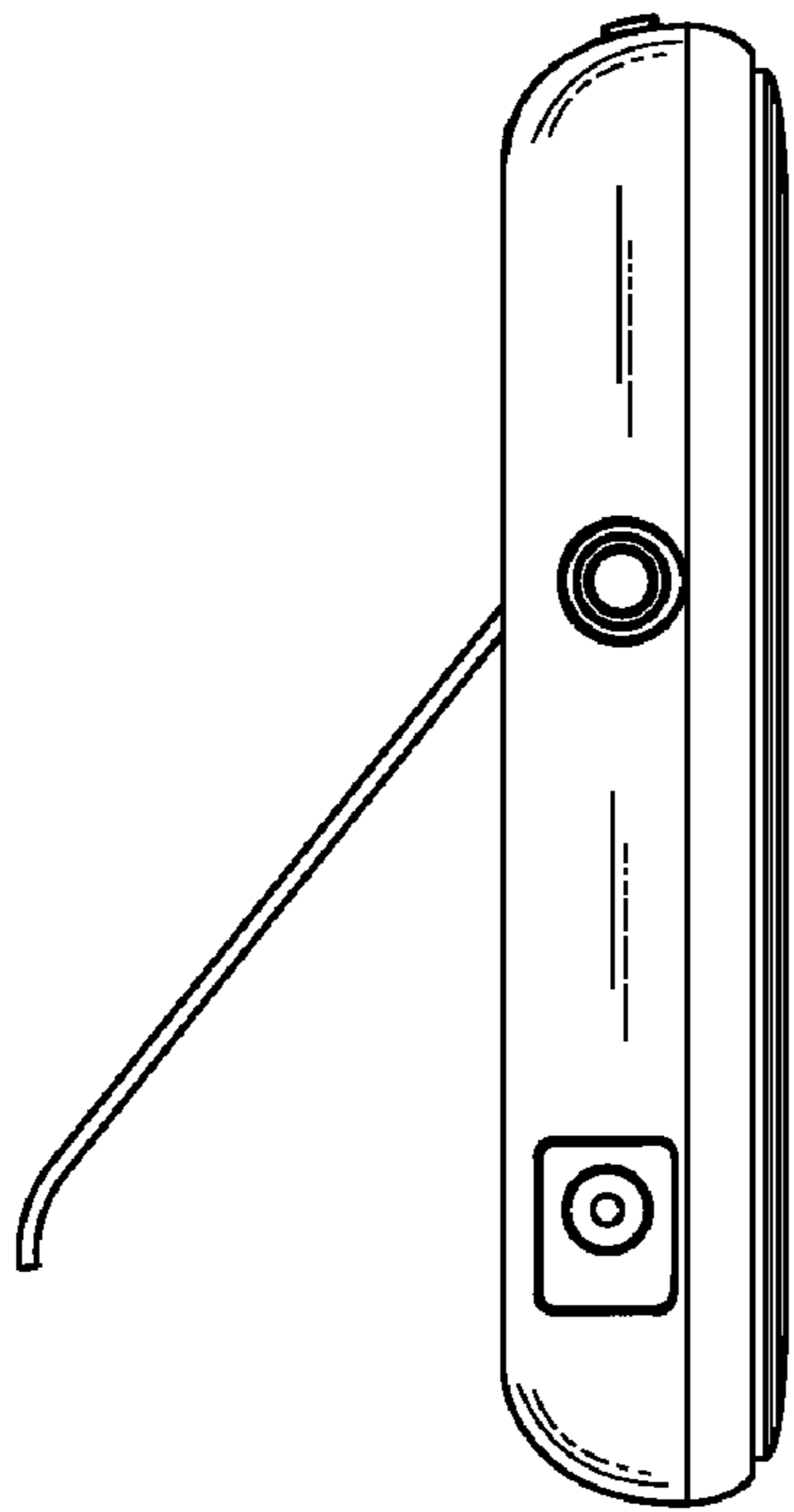


FIG. 5

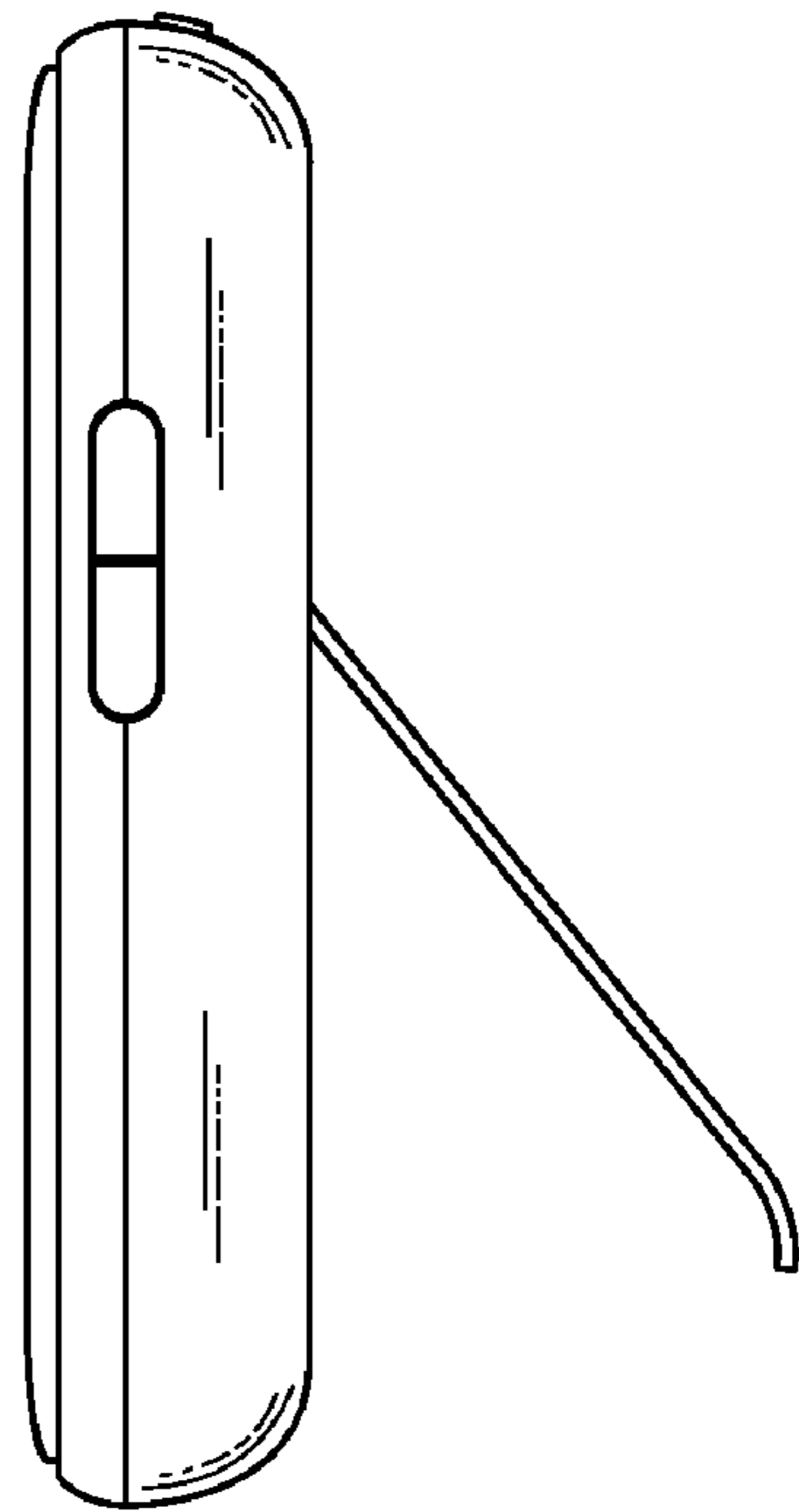


FIG. 6

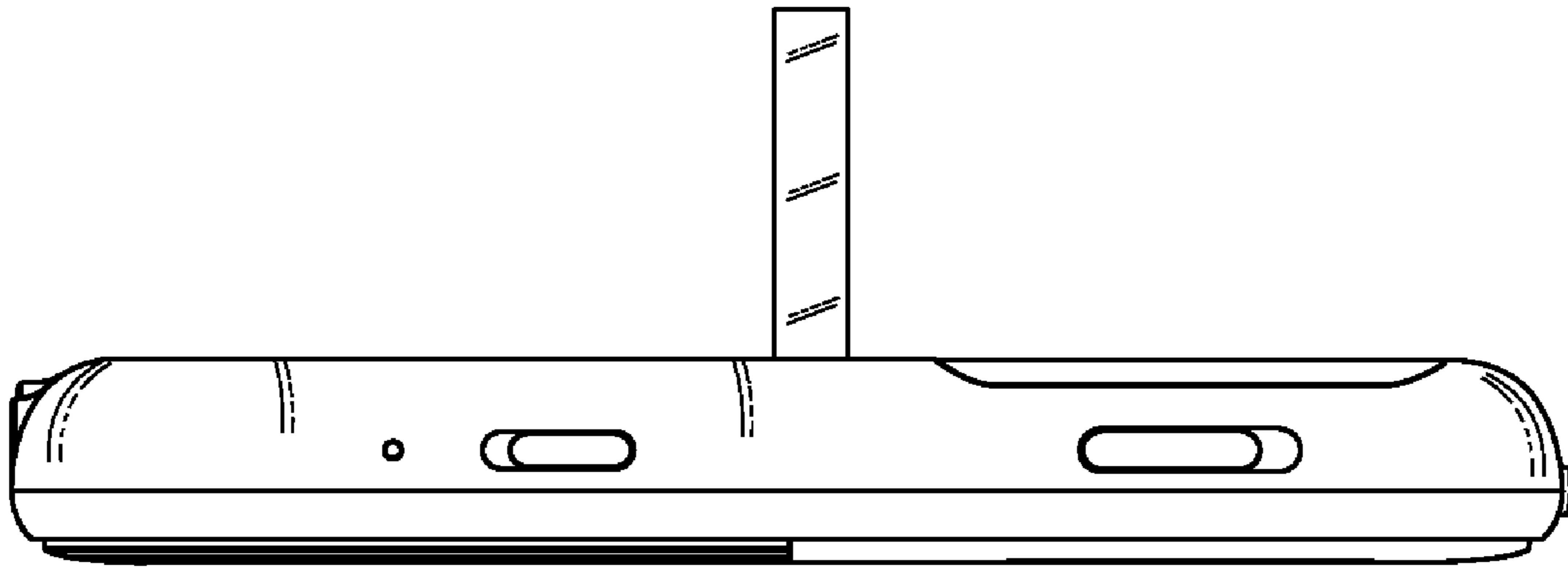


FIG. 7

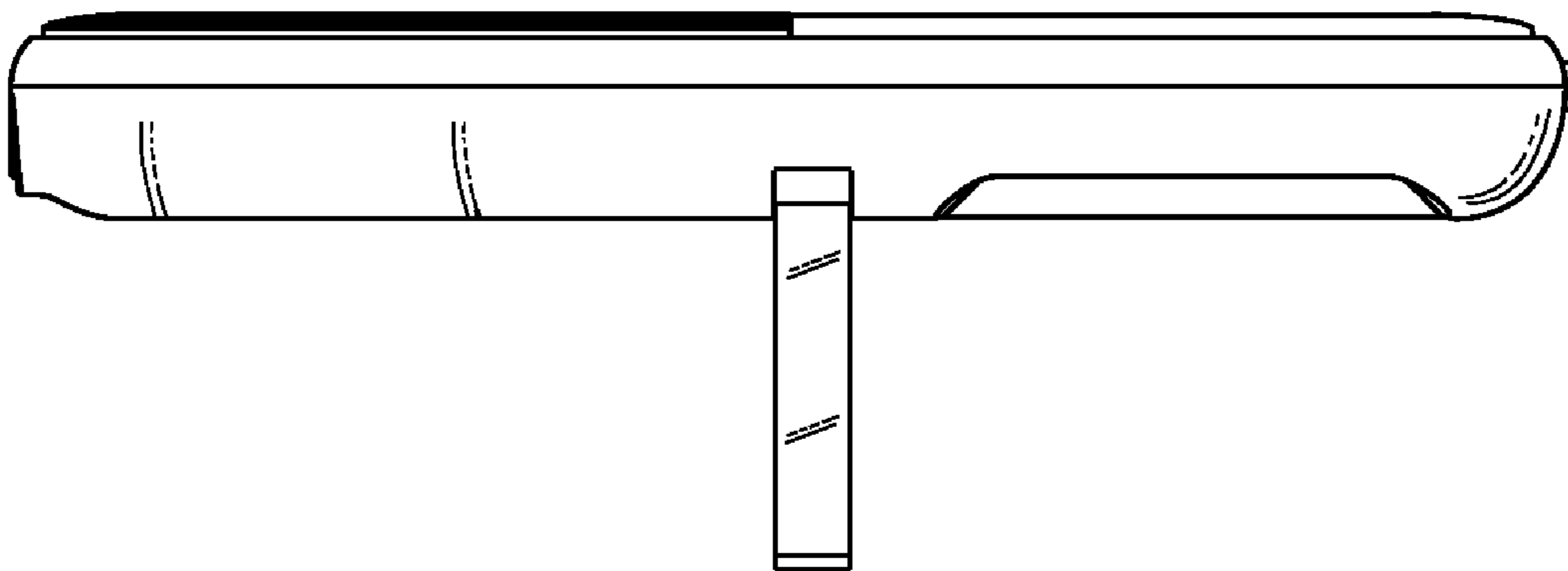


FIG. 8