



US00D596616S

(12) **United States Design Patent**
Andre et al.

(10) **Patent No.:** **US D596,616 S**
(45) **Date of Patent:** **** Jul. 21, 2009**

(54) **EARPHONE**

(75) Inventors: **Bartley K. Andre**, Menlo Park, CA (US); **Daniel J. Coster**, San Francisco, CA (US); **Daniele De Iuliis**, San Francisco, CA (US); **Richard P. Howarth**, San Francisco, CA (US); **Jonathan P. Ive**, San Francisco, CA (US); **Duncan Robert Kerr**, San Francisco, CA (US); **Shin Nishibori**, Portola Valley, CA (US); **Matthew Dean Rohrbach**, San Francisco, CA (US); **Peter Russell-Clarke**, San Francisco, CA (US); **Douglas B. Satzger**, Menlo Park, CA (US); **Christopher J. Stringer**, Woodside, CA (US); **Eugene Antony Whang**, San Francisco, CA (US); **Rico Zorkendorfer**, San Francisco, CA (US)

(73) Assignee: **Apple Inc.**, Cupertino, CA (US)

(**) Term: **14 Years**

(21) Appl. No.: **29/324,132**

(22) Filed: **Sep. 5, 2008**

(51) **LOC (9) Cl.** **14-01**

(52) **U.S. Cl.** **D14/205**

(58) **Field of Classification Search** D14/205,
D14/206, 223; 181/129, 130, 135; D24/174;
379/430; 381/380, 381, 322, 370, 371; 128/864,
128/865; 2/209; 600/559

See application file for complete search history.

(56) **References Cited**

U.S. PATENT DOCUMENTS

4,122,841 A * 10/1978 Rock et al. 600/559
D278,234 S 4/1985 Saito
4,588,867 A 5/1986 Konomi
4,646,872 A 3/1987 Kamon et al.
4,736,435 A * 4/1988 Yokoyama et al. 381/380

4,942,617 A 7/1990 Boylan
D311,007 S 10/1990 Daido
D316,550 S 4/1991 Sogabe
D318,670 S 7/1991 Taniguchi
D318,864 S 8/1991 Daido et al.
D318,865 S 8/1991 Ichikawa
D334,043 S 3/1993 Taniguchi et al.
D337,118 S 7/1993 Seikita
5,991,422 A * 11/1999 Chiang 381/370
6,056,082 A * 5/2000 Lindgren et al. 181/130

(Continued)

OTHER PUBLICATIONS

U.S. Appl. No. 29/324,197, filed Sep. 8, 2008, entitled "Earphone".

(Continued)

Primary Examiner—Paula Greene
(74) *Attorney, Agent, or Firm*—Sterne Kessler Goldstein & Fox P.L.L.C.

(57) **CLAIM**

The ornamental design for an earphone, as shown and described.

DESCRIPTION

FIG. 1 is a front perspective view of an earphone showing our new design;

FIG. 2 is a rear perspective view thereof;

FIG. 3 is a front view thereof;

FIG. 4 is a rear view thereof;

FIG. 5 is a right side view thereof;

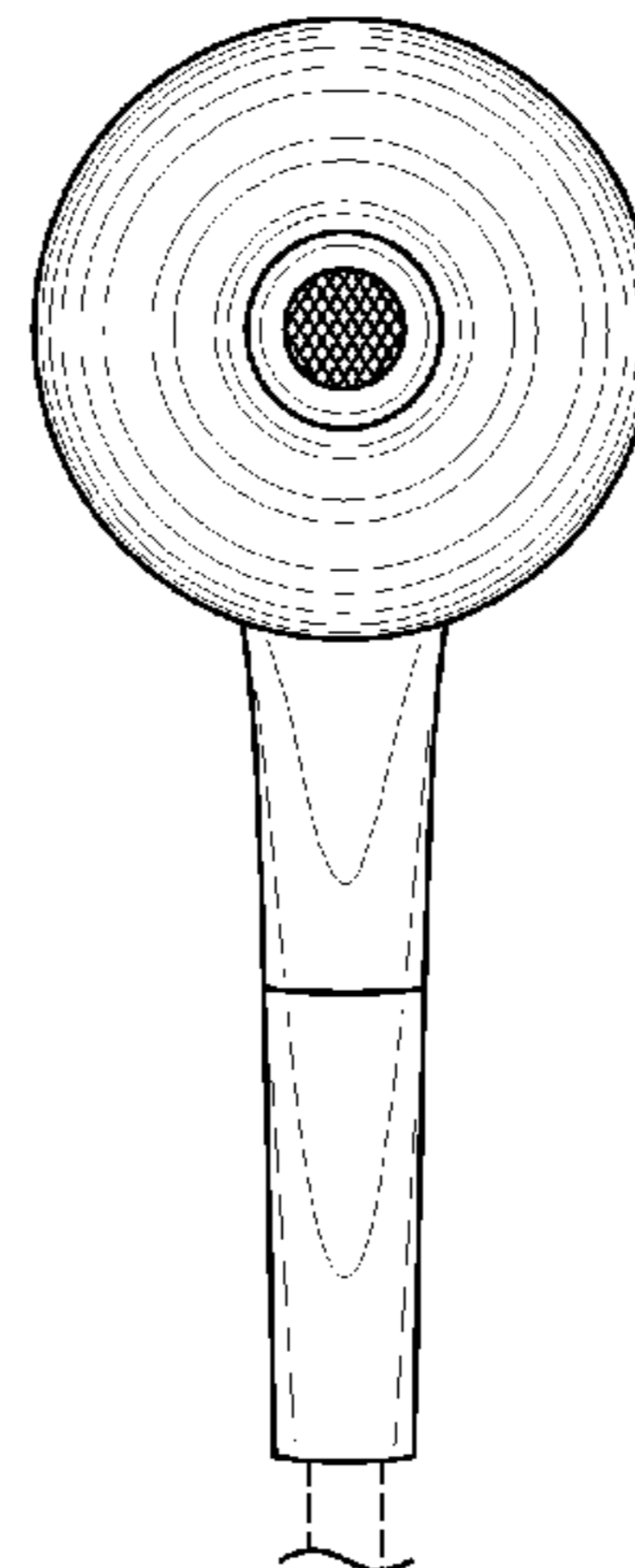
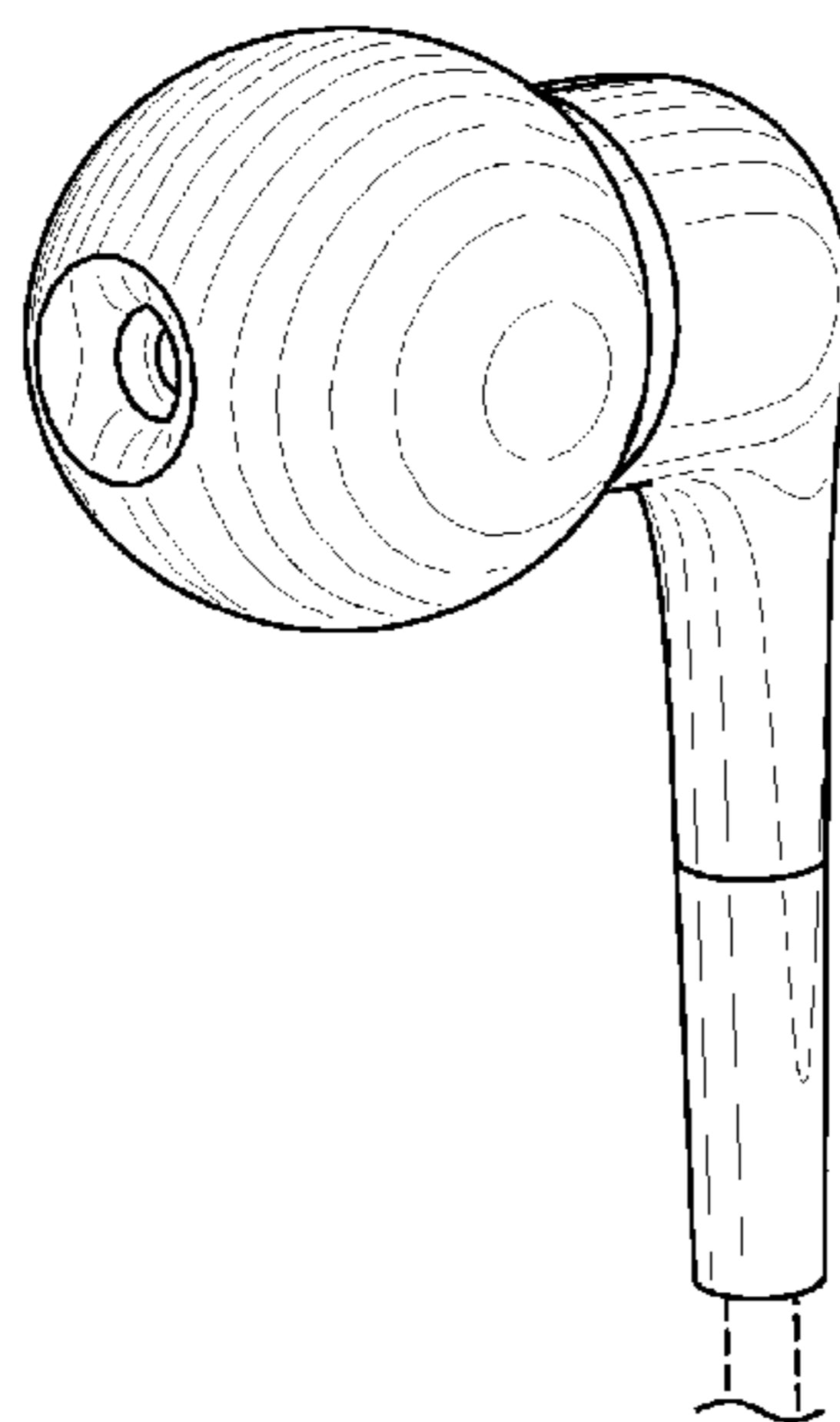
FIG. 6 is left side view thereof;

FIG. 7 is a top plan view thereof; and,

FIG. 8 is a bottom plan view thereof.

The broken lines in the Figures show environment only and form no part of the claimed design. The shade lines in the Figures show contour and not surface ornamentation.

1 Claim, 2 Drawing Sheets



US D596,616 S

Page 2

U.S. PATENT DOCUMENTS

D431,553 S *	10/2000	Suzuki	D14/223	D572,703 S *	7/2008	Ledbetter et al.	D14/205
D469,753 S	2/2003	Andre et al.			D573,977 S *	7/2008	Ledbetter et al.	D14/205
D485,548 S *	1/2004	Obata	D14/223	D573,978 S *	7/2008	Ledbetter et al.	D14/205
D487,077 S *	2/2004	Obata	D14/223	D575,269 S *	8/2008	Ledbetter et al.	D14/205
6,738,487 B1 *	5/2004	Nageno et al.	381/322	D576,154 S *	9/2008	Ledbetter et al.	D14/223
D506,744 S	6/2005	Andre et al.			D578,518 S *	10/2008	Ewert	D14/223
D515,070 S *	2/2006	Andre et al.	D14/205	D579,005 S *	10/2008	Wilhelmsen	D14/223
D542,782 S *	5/2007	Pena Angarita	D14/223	D579,444 S *	10/2008	Ewert et al.	D14/223
D550,657 S *	9/2007	Gan et al.	D14/223	D579,923 S	11/2008	Andre et al.		
D554,109 S *	10/2007	Ledbetter et al.	D14/223	D586,332 S *	2/2009	Ewert et al.	D14/223
D554,627 S *	11/2007	Gondo	D14/223					
D555,152 S *	11/2007	Wang	D14/223					
D557,689 S *	12/2007	Huang	D14/223					
D564,495 S *	3/2008	Sasaki	D14/205					
D566,687 S *	4/2008	Duarte et al.	D14/205					
D568,291 S	5/2008	Andre et al.							

OTHER PUBLICATIONS

U.S. Appl. No. 29/321,427, filed Jul. 16, 2008, entitled "Ear Piece".

U.S. Appl. No. 29/266,003, filed Sep. 11, 2006, entitled "Earphone".

U.S. Appl. No. 29/317,749, filed May 6, 2008, entitled "Earphone".

* cited by examiner

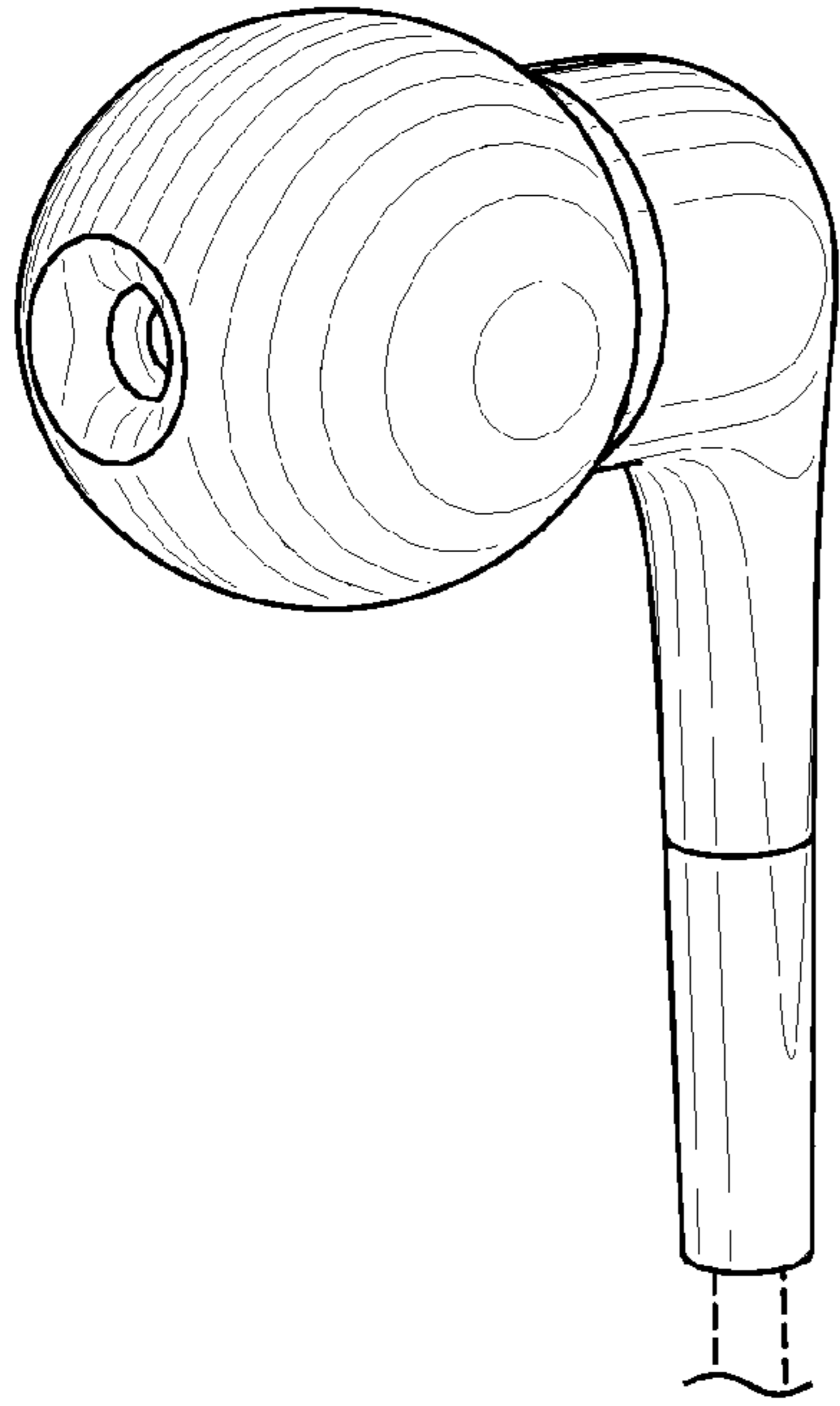


FIG. 1

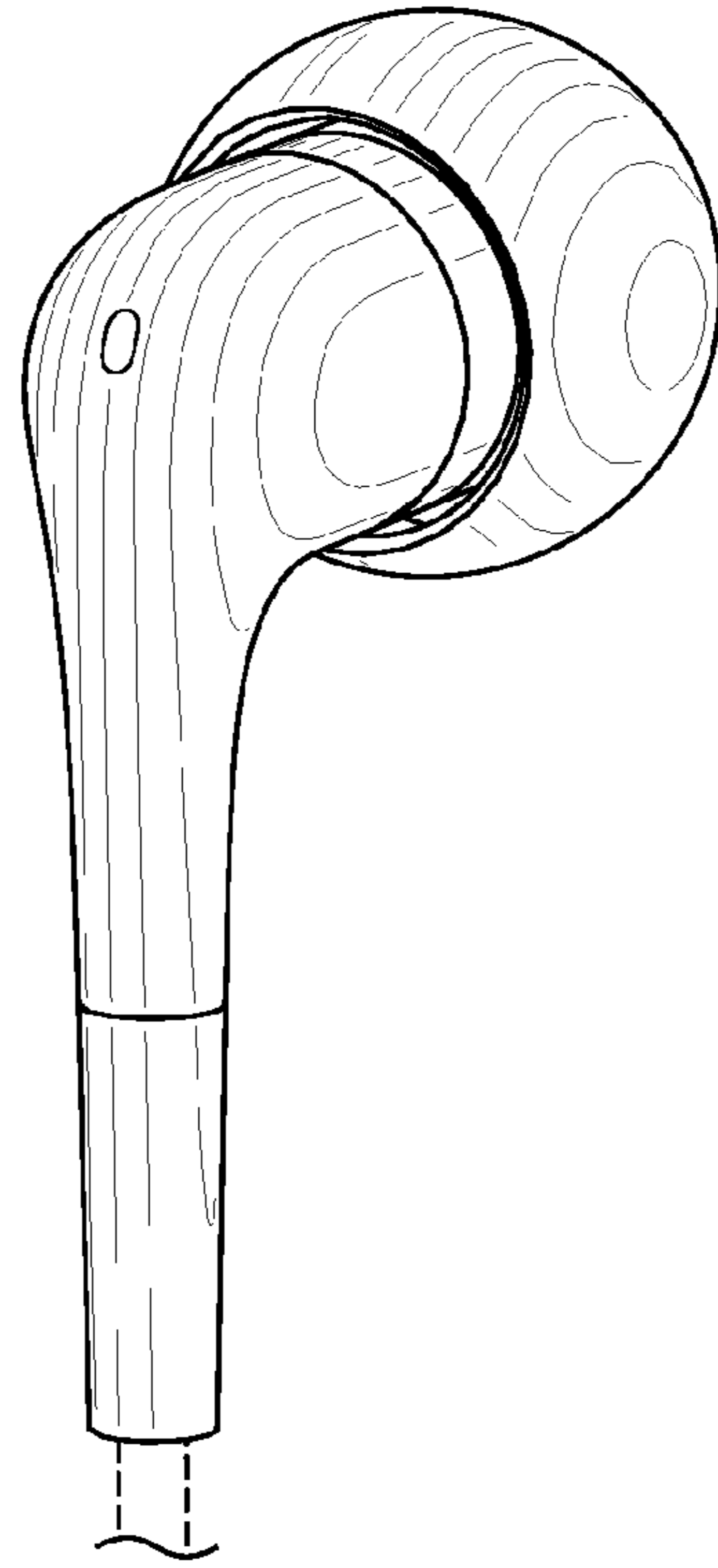


FIG. 2

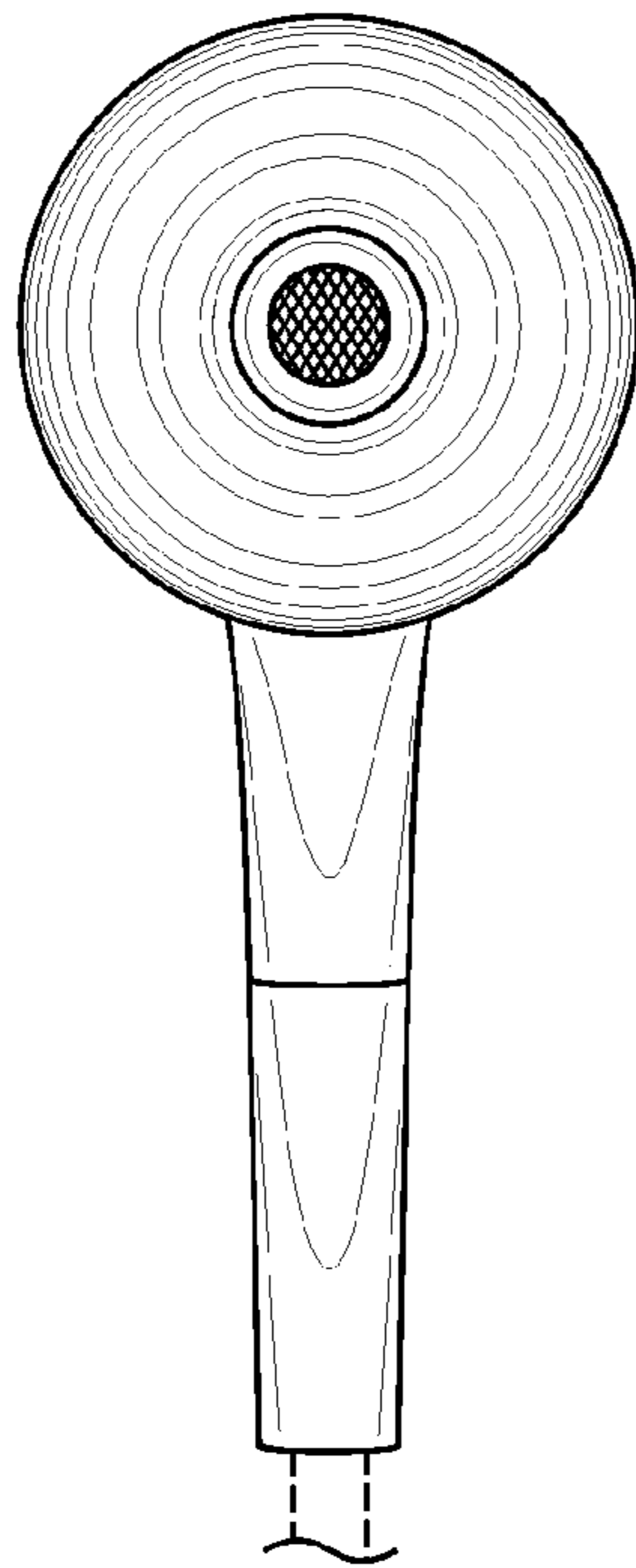


FIG. 3

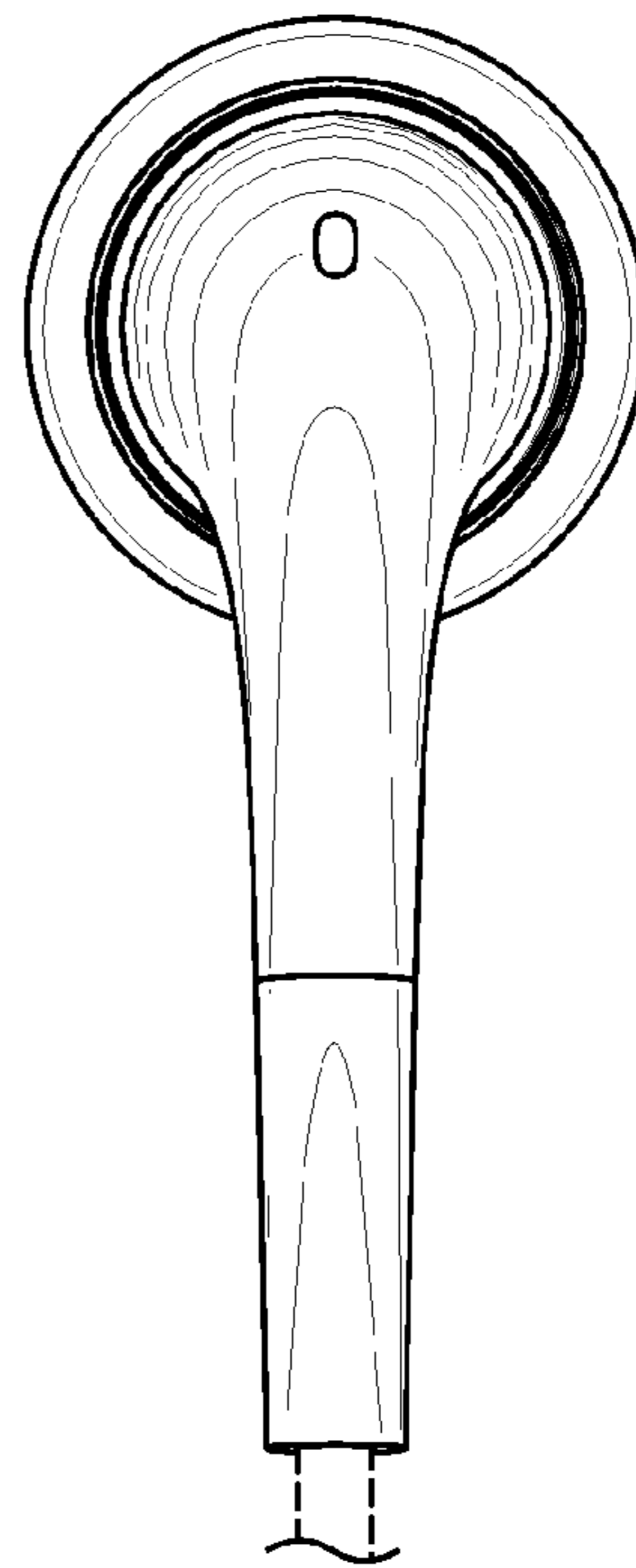


FIG. 4

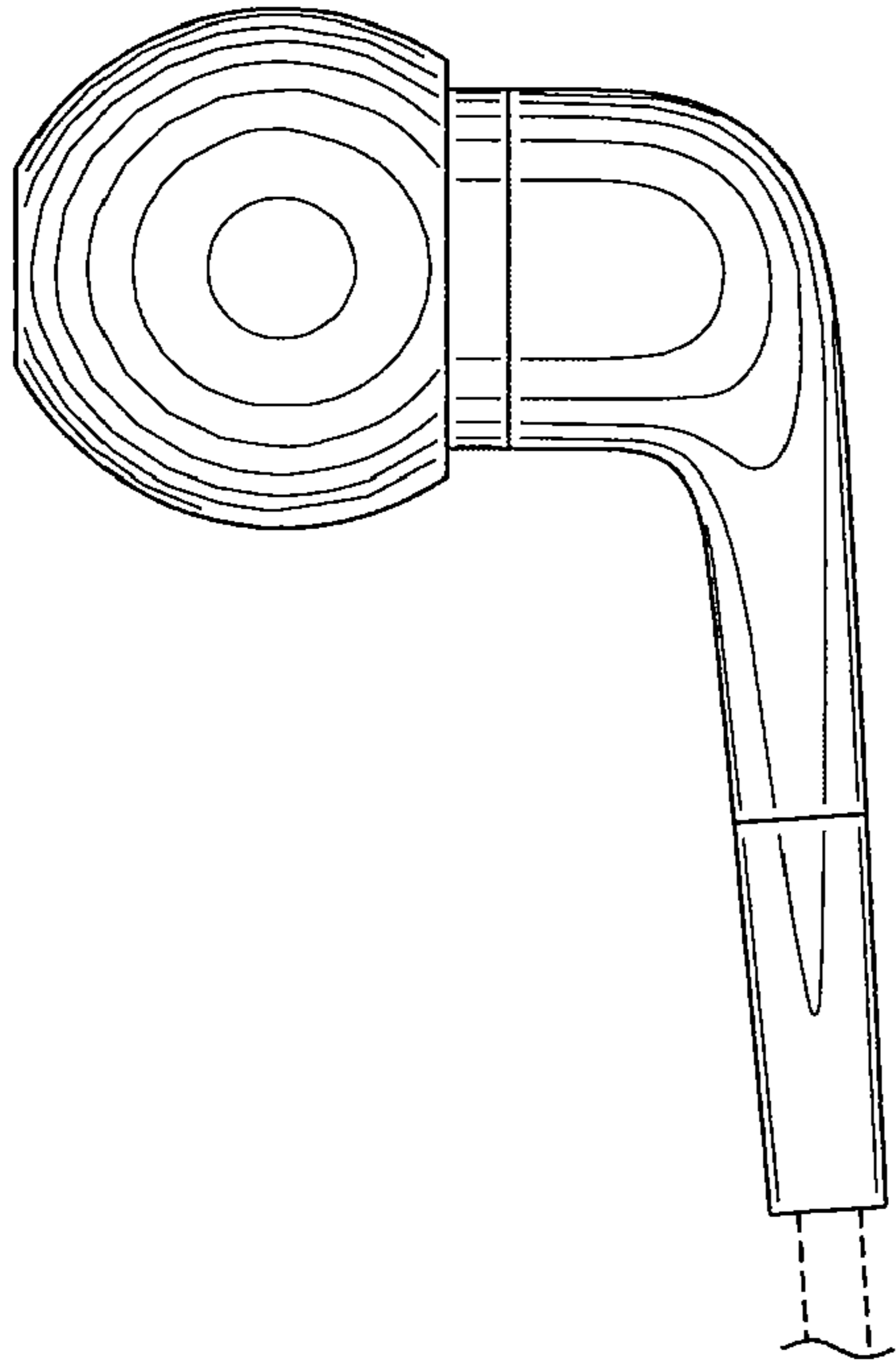


FIG. 5

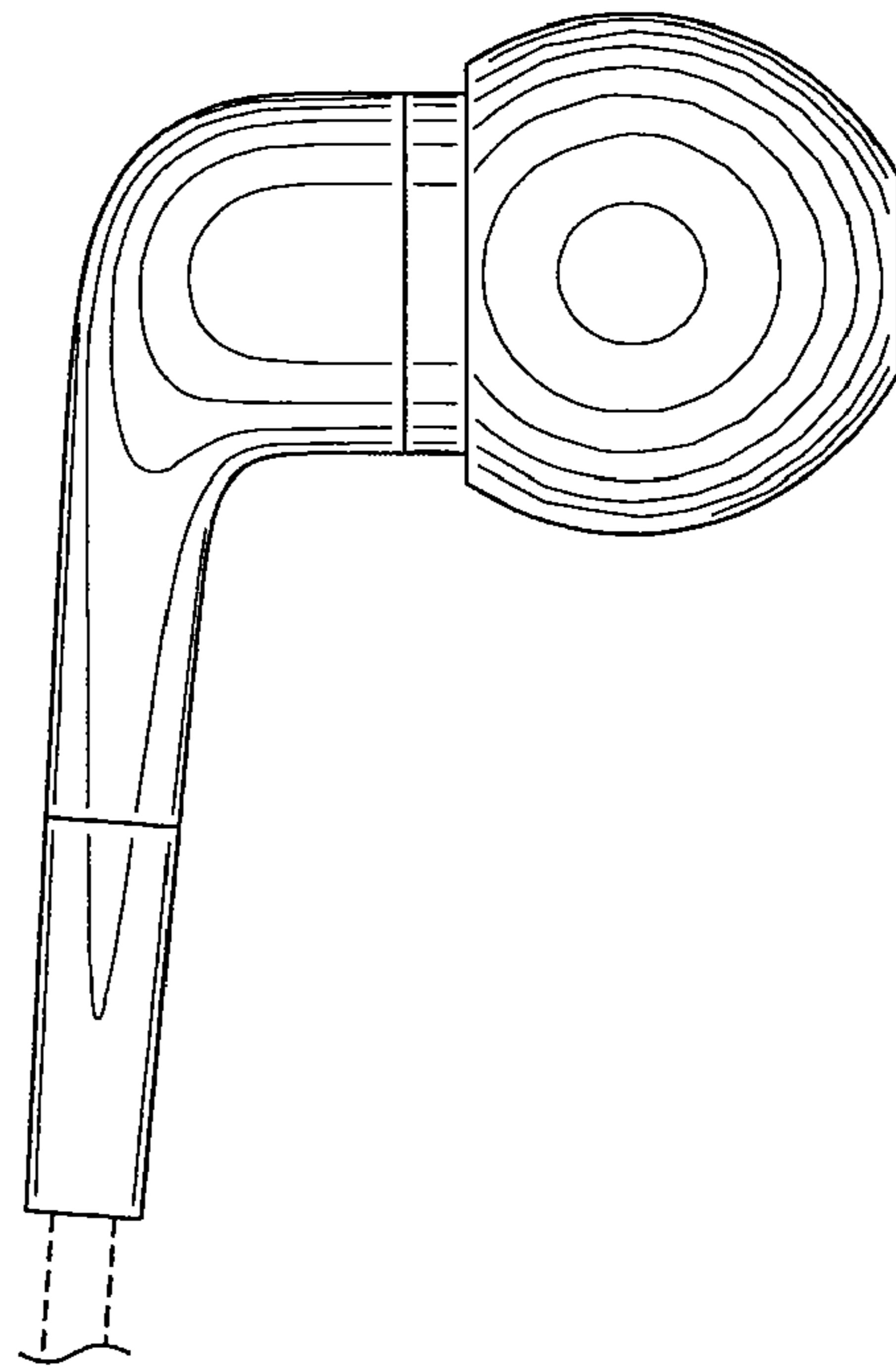


FIG. 6

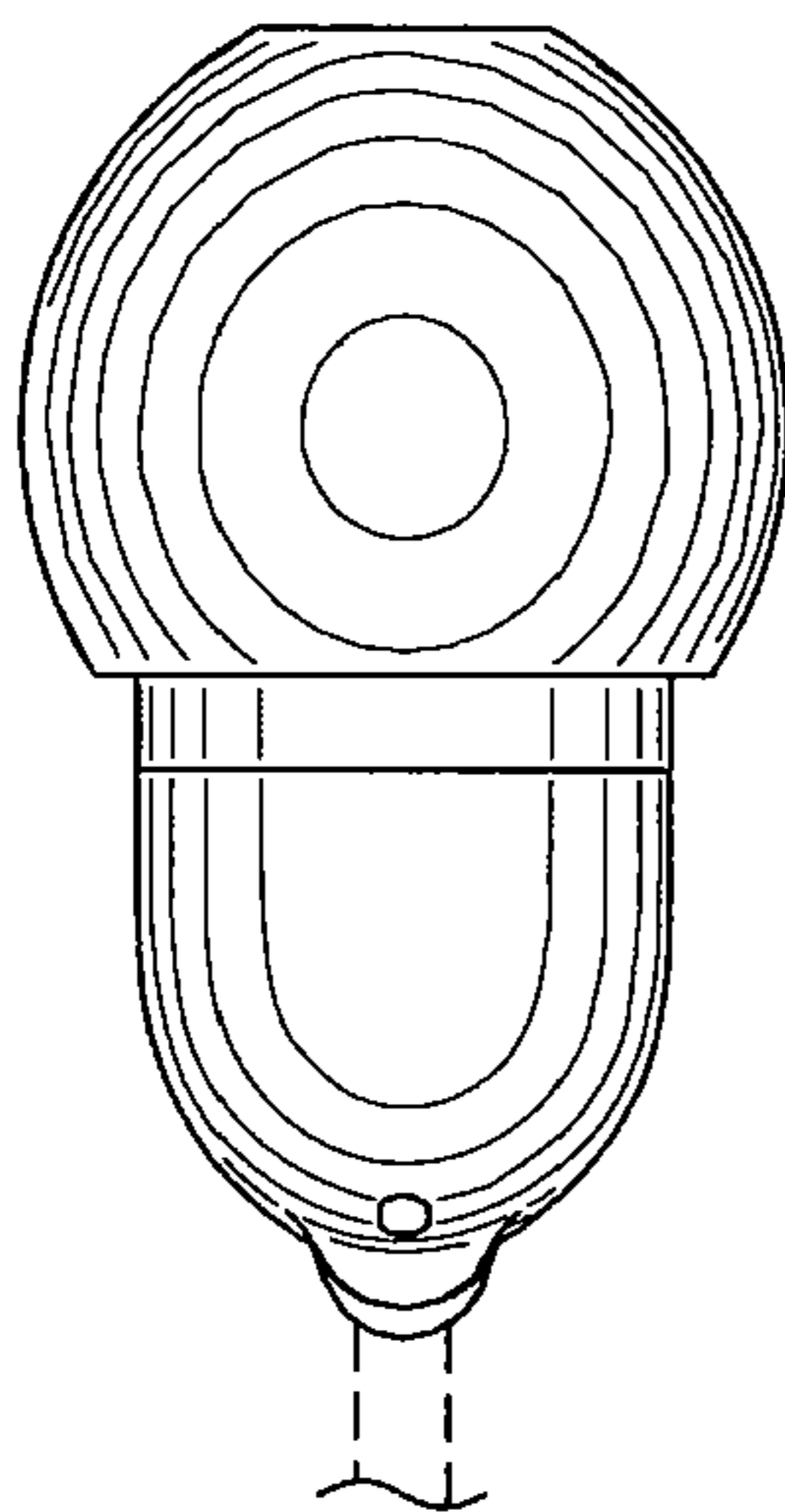


FIG. 7

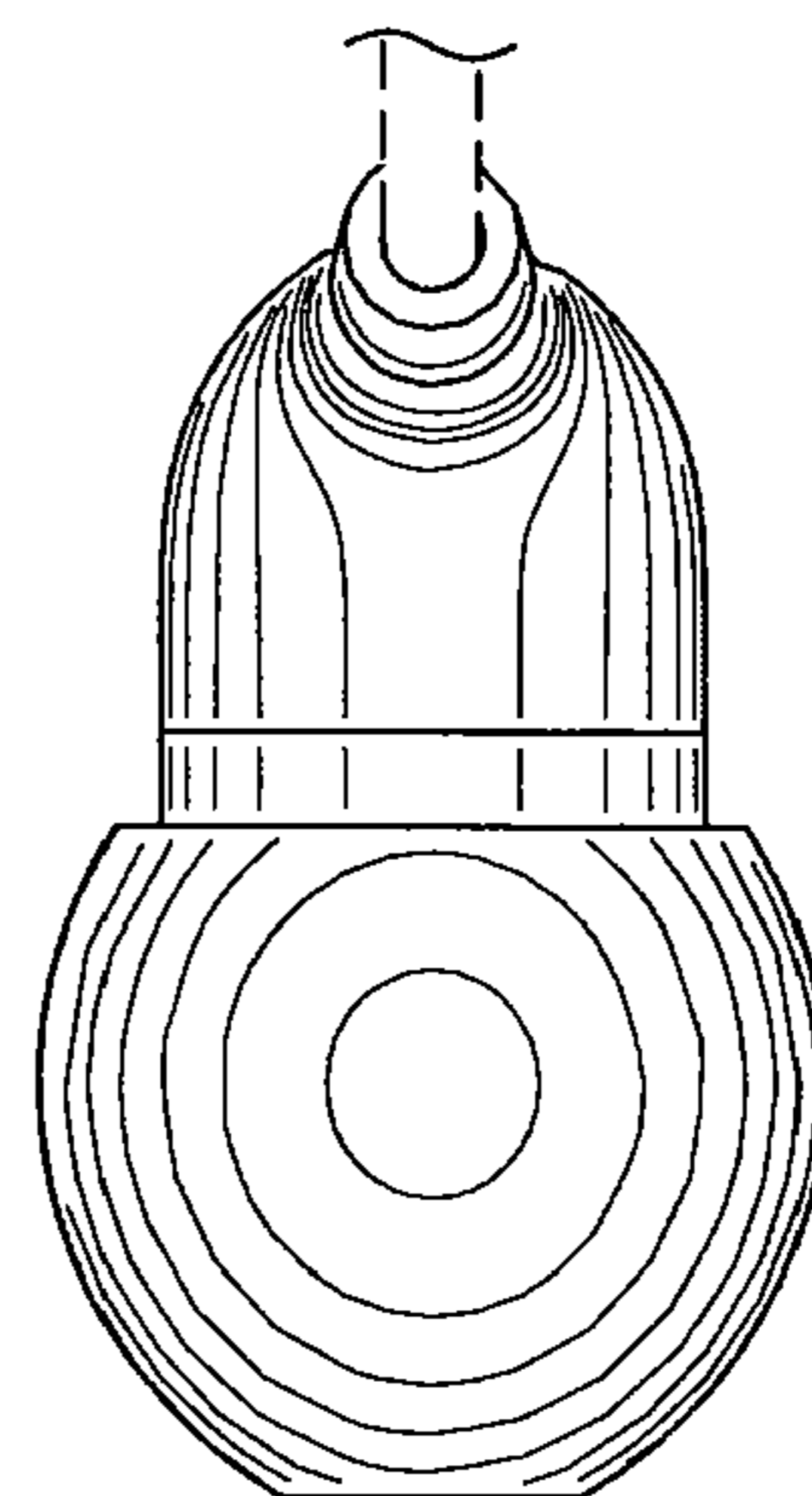


FIG. 8