



US00D596615S

(12) **United States Design Patent**  
**Wilson**

(10) **Patent No.:** **US D596,615 S**

(45) **Date of Patent:** **\*\* Jul. 21, 2009**

(54) **AMPLIFIER CASE**

(75) **Inventor:** **James W. Wilson**, Saint George, UT  
(US)

(73) **Assignee:** **Wilson Electronics, Inc.**, Saint George,  
UT (US)

(\*\*) **Term:** **14 Years**

(21) **Appl. No.:** **29/310,963**

(22) **Filed:** **Sep. 19, 2008**

(51) **LOC (9) Cl.** ..... **14-03**

(52) **U.S. Cl.** ..... **D14/188**

(58) **Field of Classification Search** ..... D14/168,  
D14/169, 179, 188, 194–198, 215, 217, 257,  
D14/265, 299, 496; 330/1 R, 3, 4, 250; 381/86,  
381/120; 455/344–351

See application file for complete search history.

(56) **References Cited**

**U.S. PATENT DOCUMENTS**

D400,206 S *	10/1998	Mahgerefteh	.....	D14/188
D459,339 S *	6/2002	Tong	.....	D14/197
D480,381 S *	10/2003	Harris et al.	.....	D14/188
D485,563 S *	1/2004	Wei	.....	D14/496
D489,070 S *	4/2004	Chatterjee	.....	D14/433
D520,519 S *	5/2006	Chin et al.	.....	D14/203.3
D522,531 S *	6/2006	Solomon et al.	.....	D14/496

D535,974 S *	1/2007	Alwicker et al.	.....	D14/188
D536,692 S *	2/2007	Alwicker et al.	.....	D14/188
D574,809 S *	8/2008	Yagihashi	.....	D14/188
D580,931 S *	11/2008	Chang et al.	.....	D14/356

\* cited by examiner

*Primary Examiner*—Stella M Reid

*Assistant Examiner*—Keli L Hill

(74) *Attorney, Agent, or Firm*—Leon D. Rosen

(57) **CLAIM**

The ornamental design for amplifier case, as shown and described.

**DESCRIPTION**

FIG. 1 is a top, front, and left side isometric view of a amplifier case showing my design.

FIG. 2 is a top view thereof.

FIG. 3 is a bottom view thereof.

FIG. 4 is a front elevation view thereof.

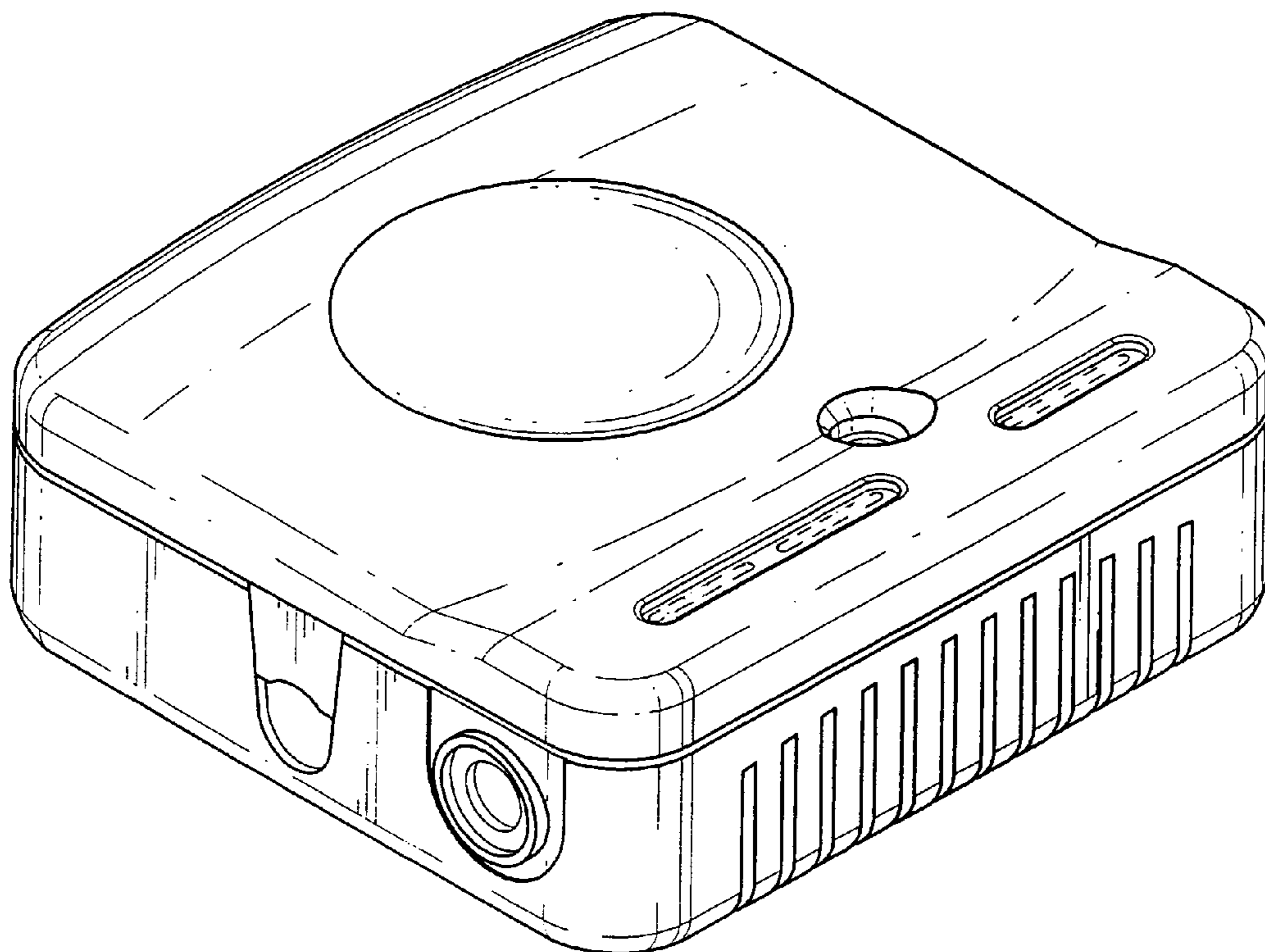
FIG. 5 is a rear elevation view thereof.

FIG. 6 is a right side elevation view thereof; and,

FIG. 7 is a left side elevation view thereof.

The broken lines represent the portions of the design that form no part of the claim.

**1 Claim, 5 Drawing Sheets**



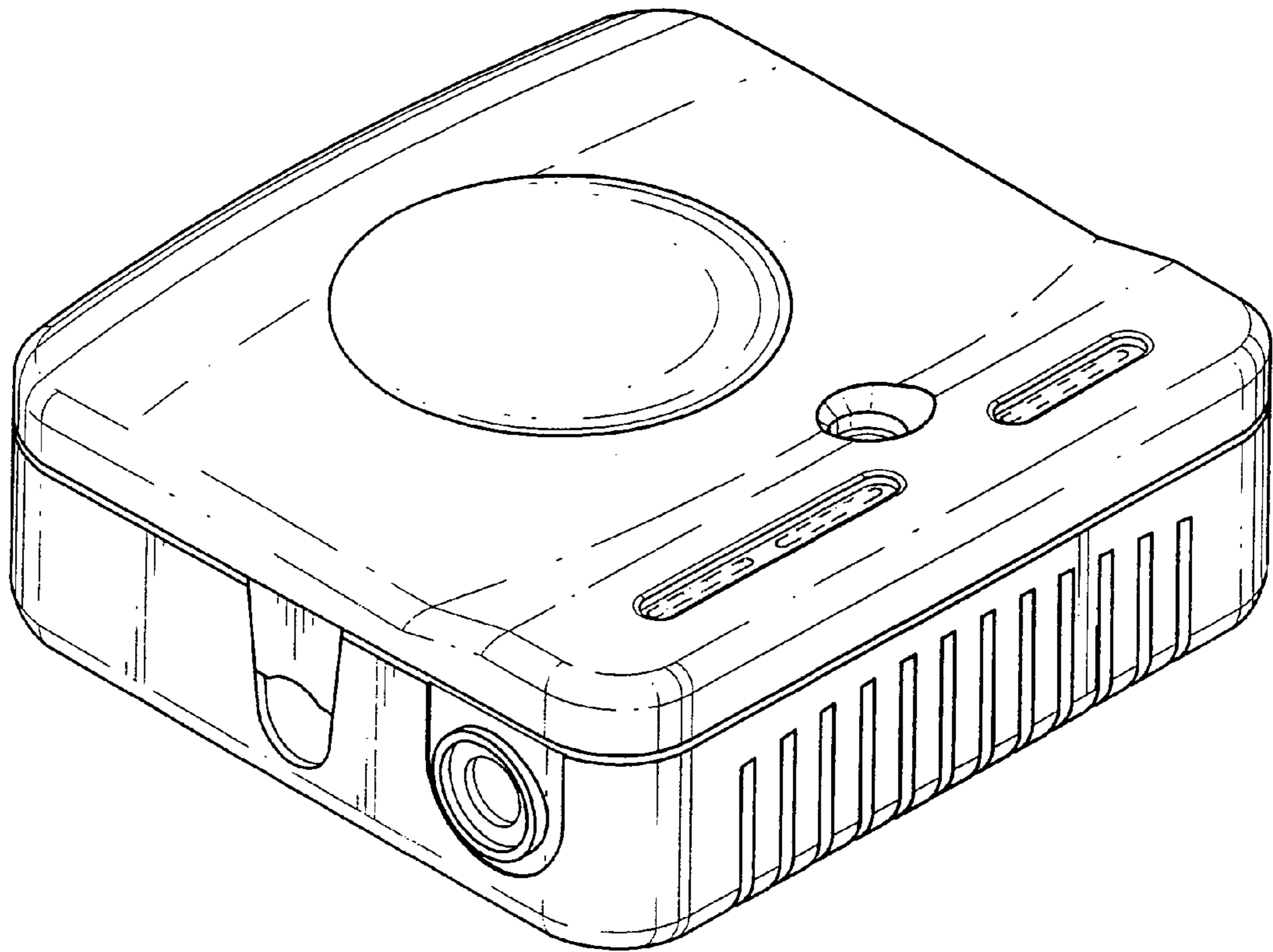


FIG. 1

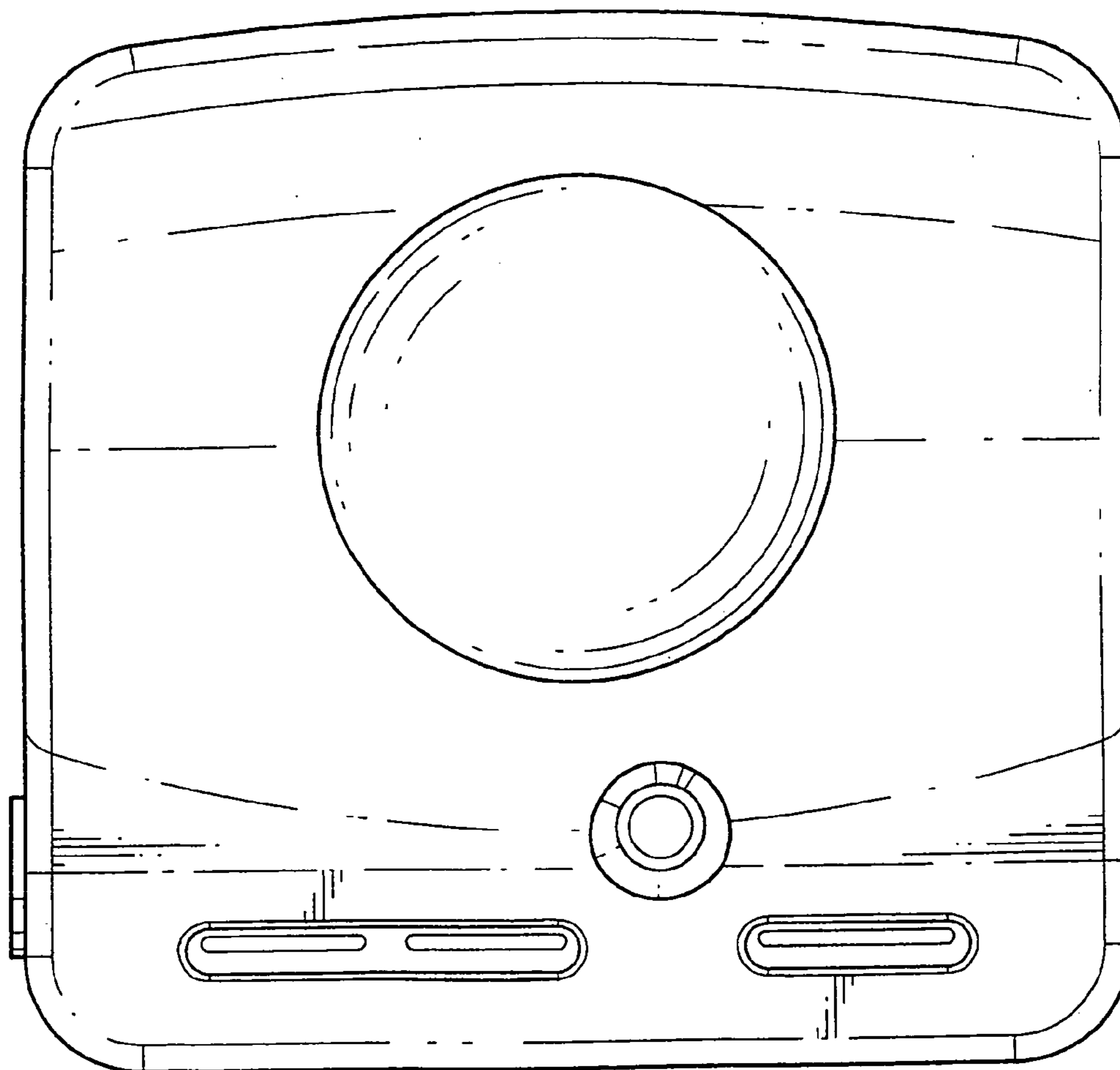


FIG. 2

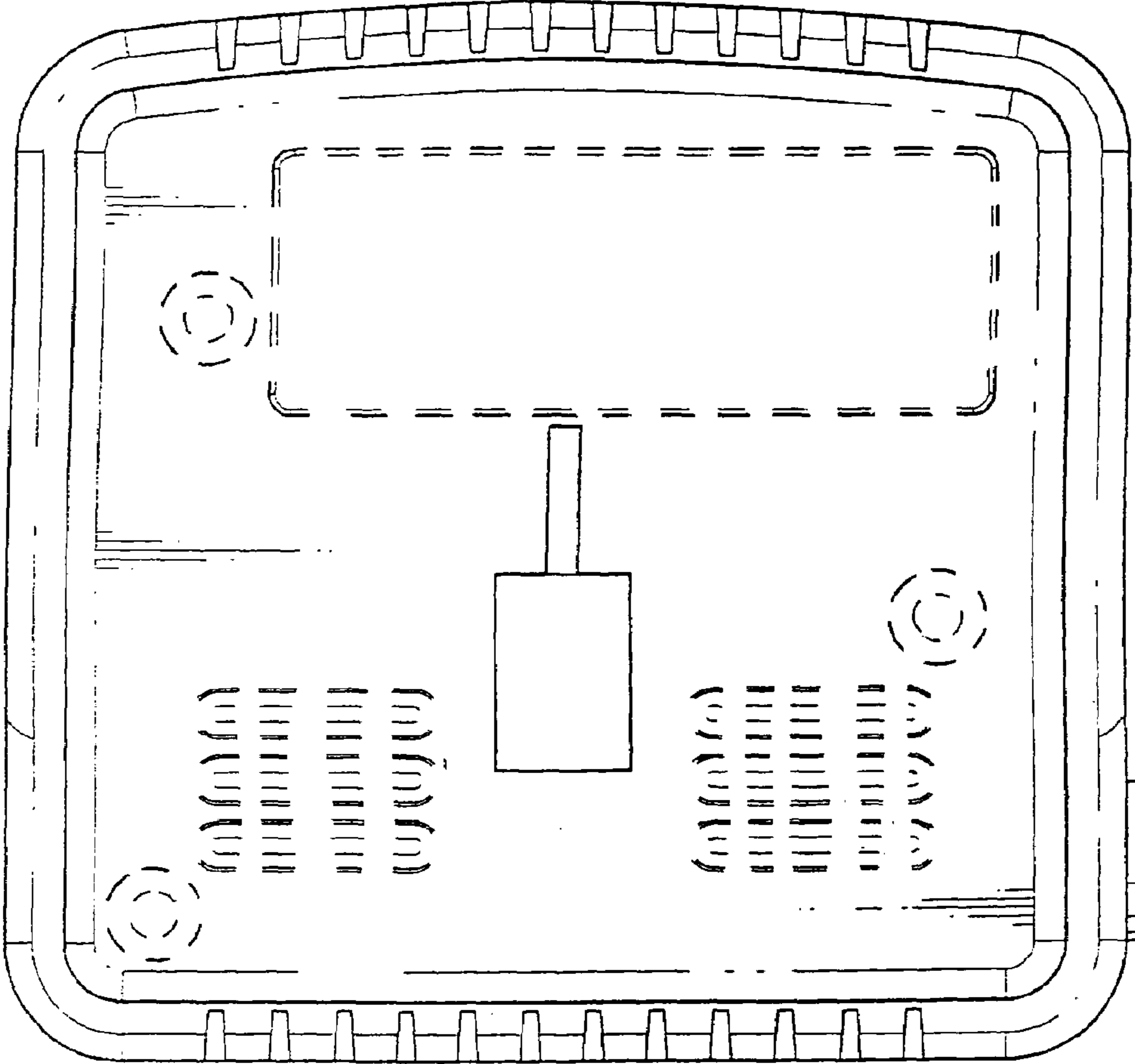


FIG. 3

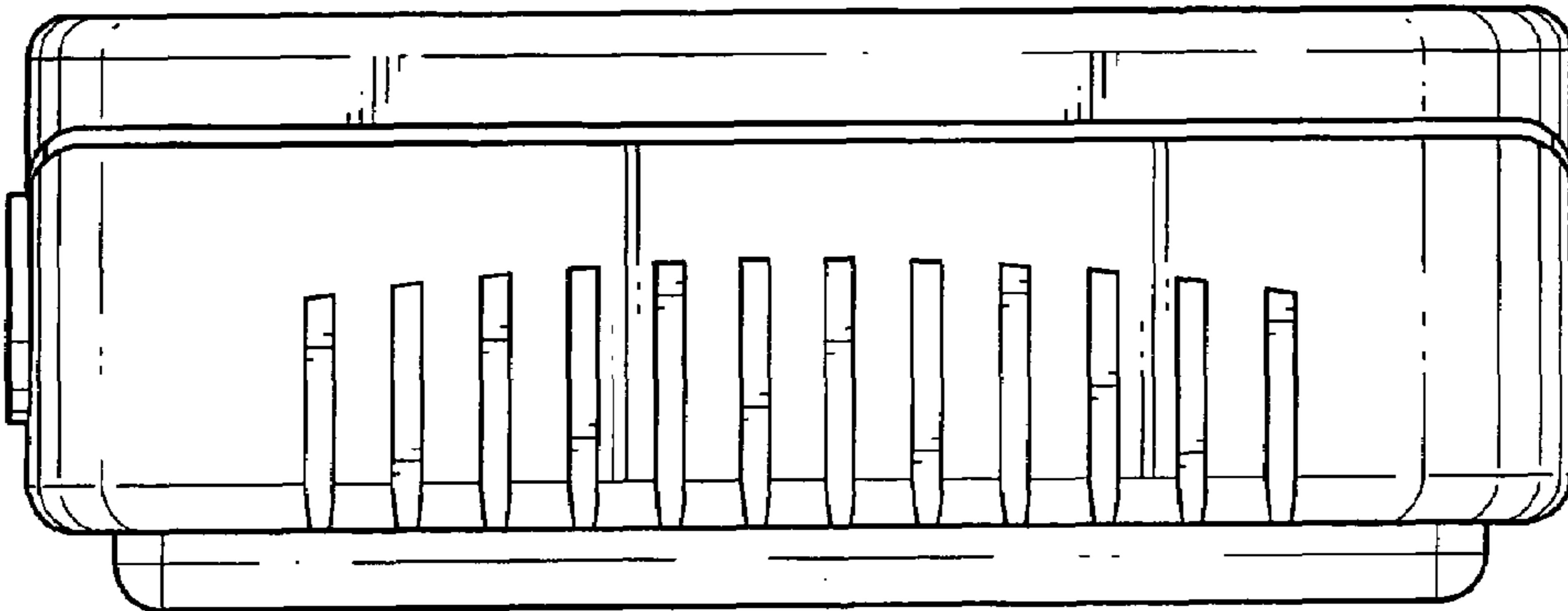


FIG. 4

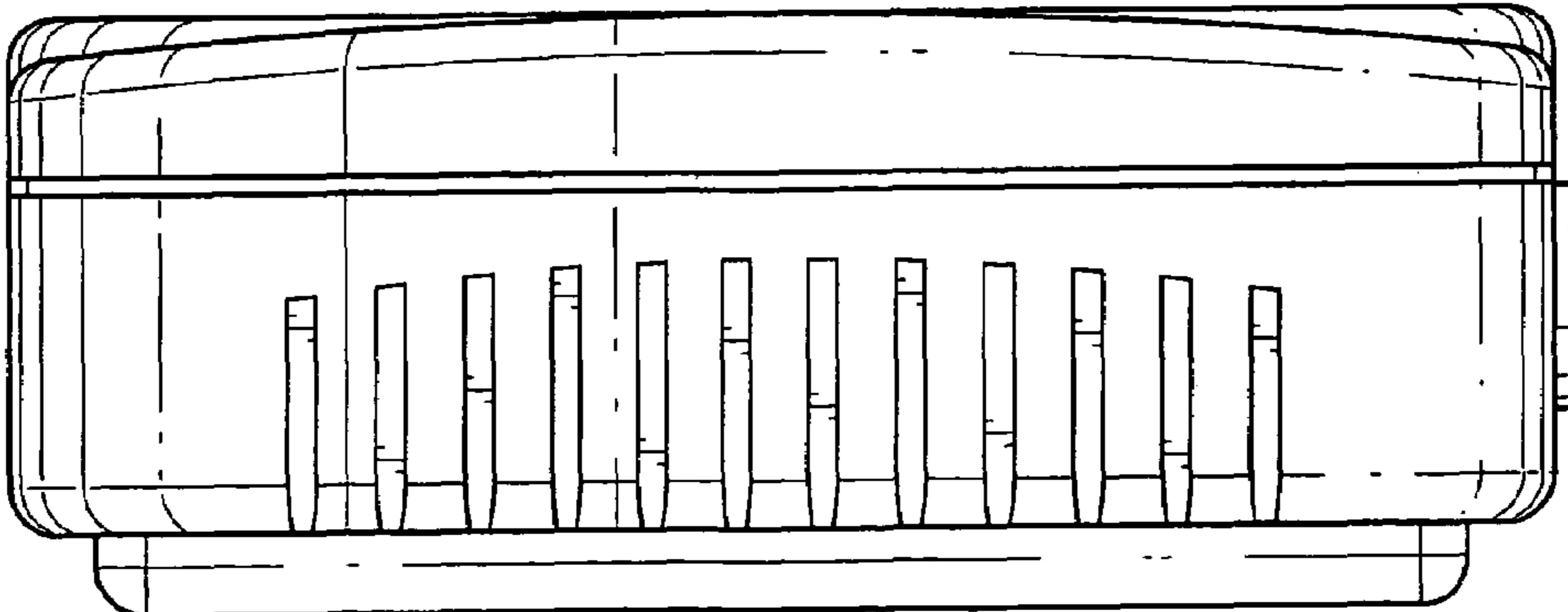


FIG. 5

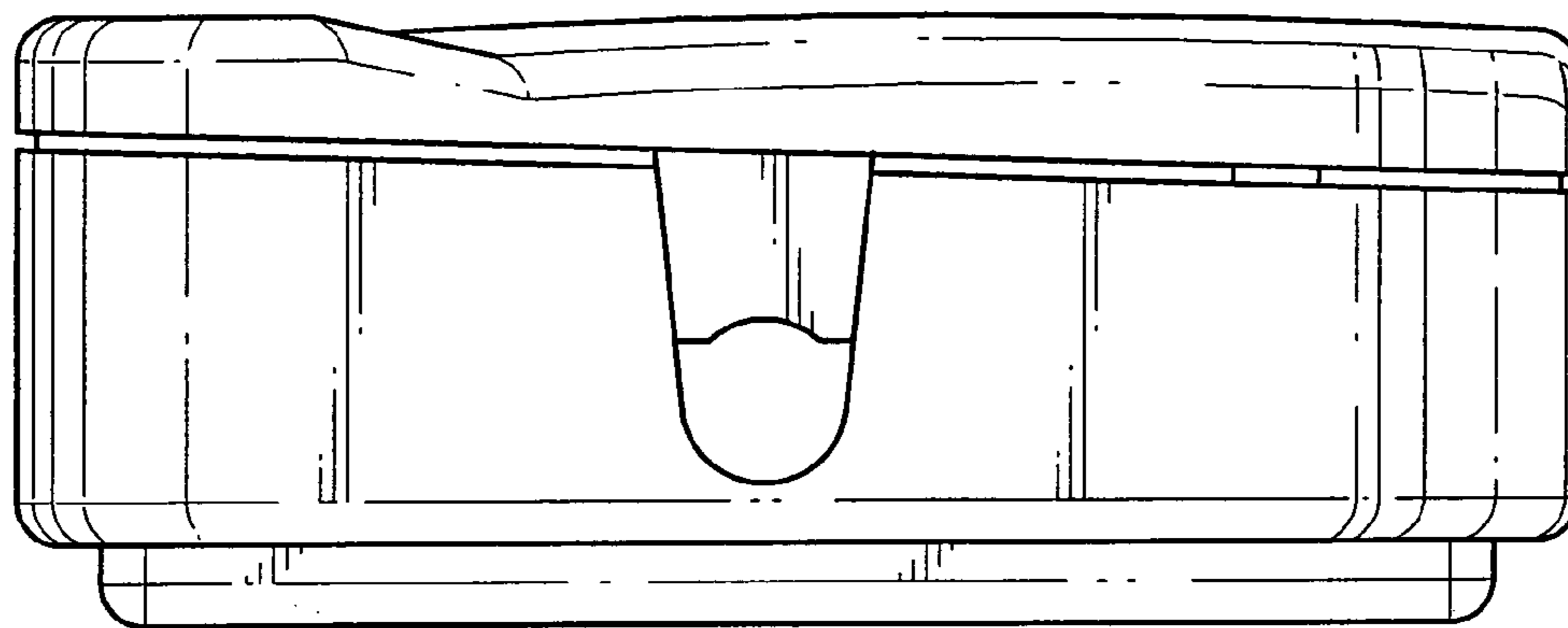


FIG. 6

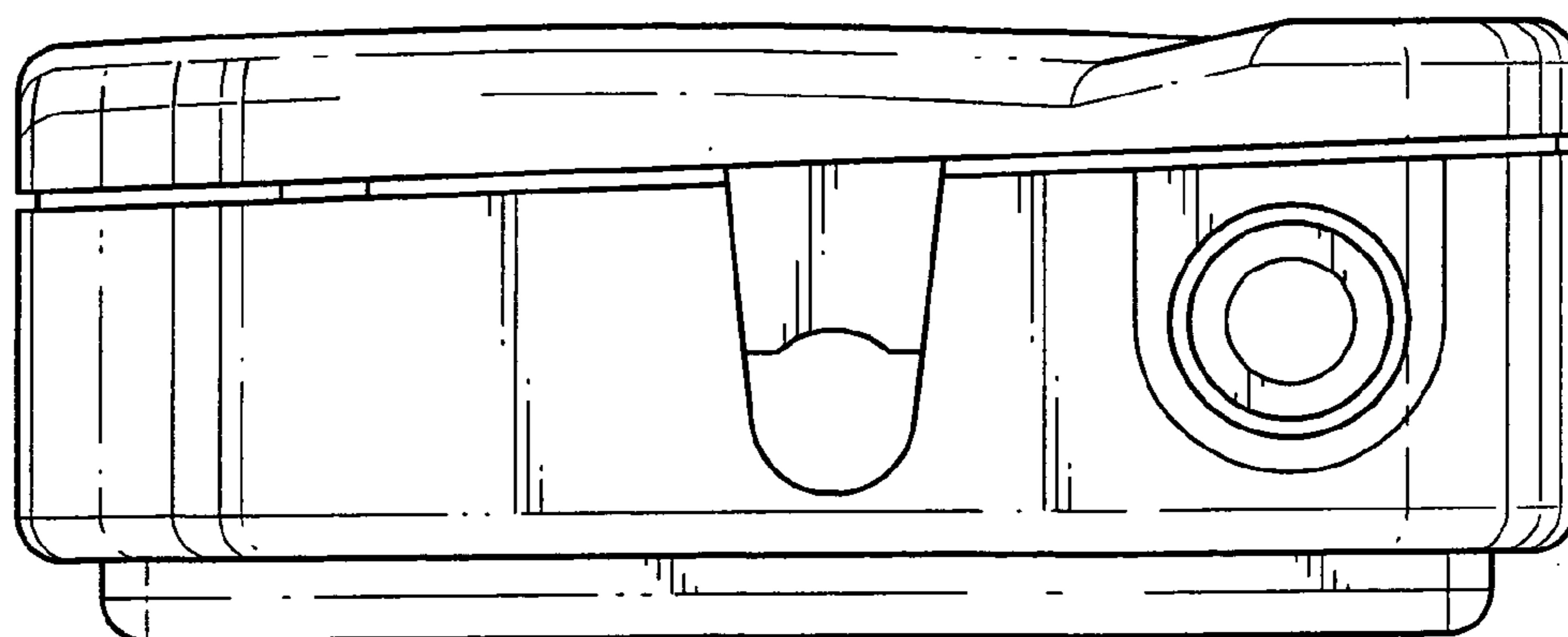


FIG. 7