



US00D596614S

(12) **United States Design Patent**
Wilson

(10) **Patent No.:** **US D596,614 S**
(45) **Date of Patent:** **** Jul. 21, 2009**

(54) **AMPLIFIER CASE**

(75) Inventor: **James W. Wilson**, Saint George, UT
(US)

(73) Assignee: **Wilson Electronics, Inc.**, Saint George,
UT (US)

(**) Term: **14 Years**

(21) Appl. No.: **29/310,945**

(22) Filed: **Sep. 19, 2008**

(51) **LOC (9) Cl.** **14-03**

(52) **U.S. Cl.** **D14/188**

(58) **Field of Classification Search** D14/168,
D14/169, 179, 188, 194-198, 215, 217, 257,
D14/265, 299, 496; 330/1 R, 3, 4, 250; 381/86,
381/120; 455/344-351

See application file for complete search history.

(56) **References Cited**

U.S. PATENT DOCUMENTS

D352,038 S	*	11/1994	Kobayashi	D14/215
D530,325 S	*	10/2006	Kerila et al.	D14/356
D534,154 S	*	12/2006	Shen	D14/188
D535,974 S	*	1/2007	Alwicker et al.	D14/188
D536,692 S	*	2/2007	Alwicker et al.	D14/188
D553,609 S	*	10/2007	Chow	D14/171

D563,390 S	*	3/2008	Vafiadis	D14/215
D581,943 S	*	12/2008	Pedersen et al.	D14/496
D582,385 S	*	12/2008	Sanguinetti	D14/188

* cited by examiner

Primary Examiner—Stella M Reid

Assistant Examiner—Keli L Hill

(74) *Attorney, Agent, or Firm*—Leon D. Rosen

(57) **CLAIM**

The ornamental design for amplifier case, as shown and described.

DESCRIPTION

FIG. 1 is a top, front, and right side isometric view of an amplifier case showing my design.

FIG. 2 is a top view thereof.

FIG. 3 is a bottom view thereof.

FIG. 4 is a front elevation view thereof.

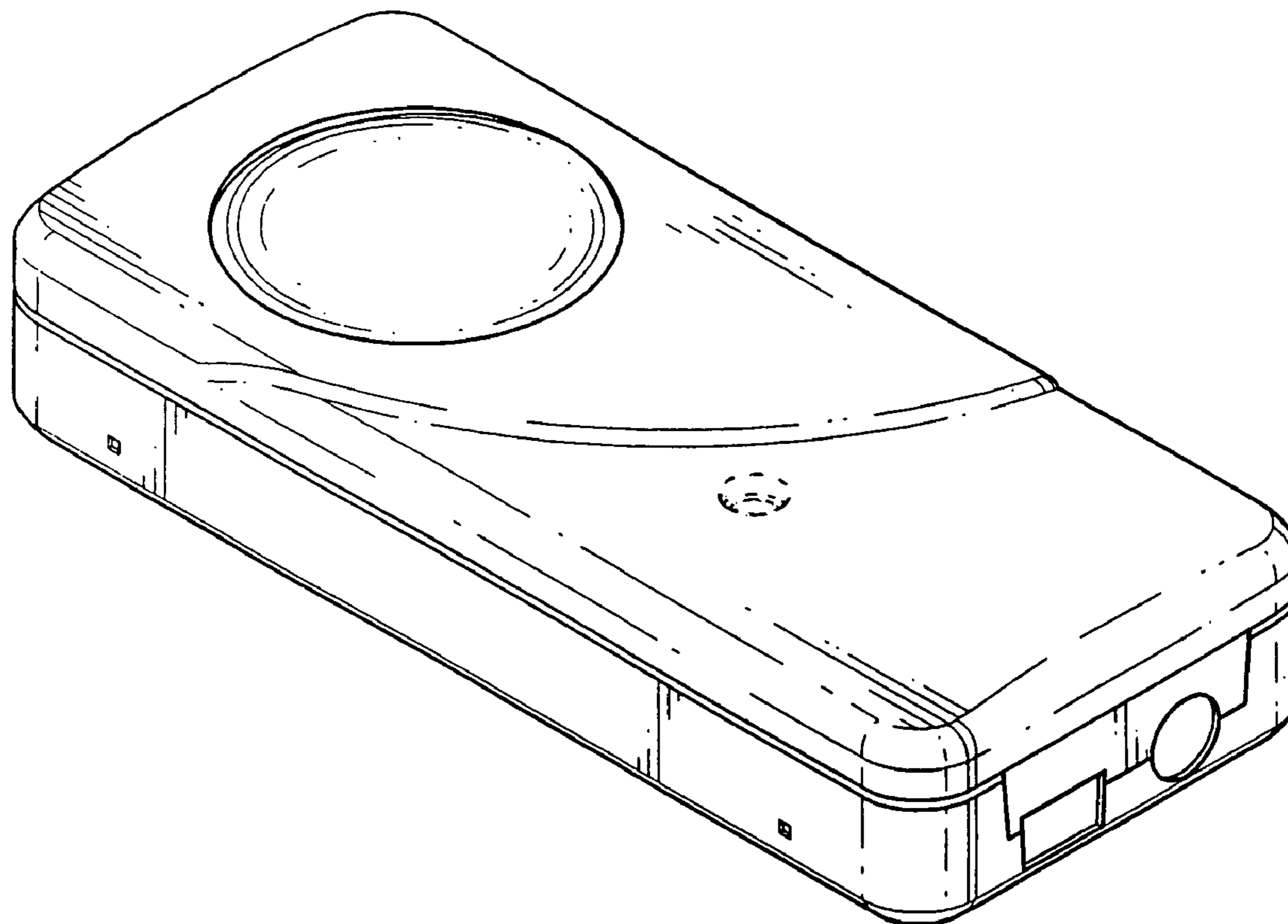
FIG. 5 is a rear elevation view thereof.

FIG. 6 is a left side elevation view thereof; and,

FIG. 7 is a right side elevation view thereof.

The broken lines represent the portions of the design that form no part of the claim.

1 Claim, 4 Drawing Sheets



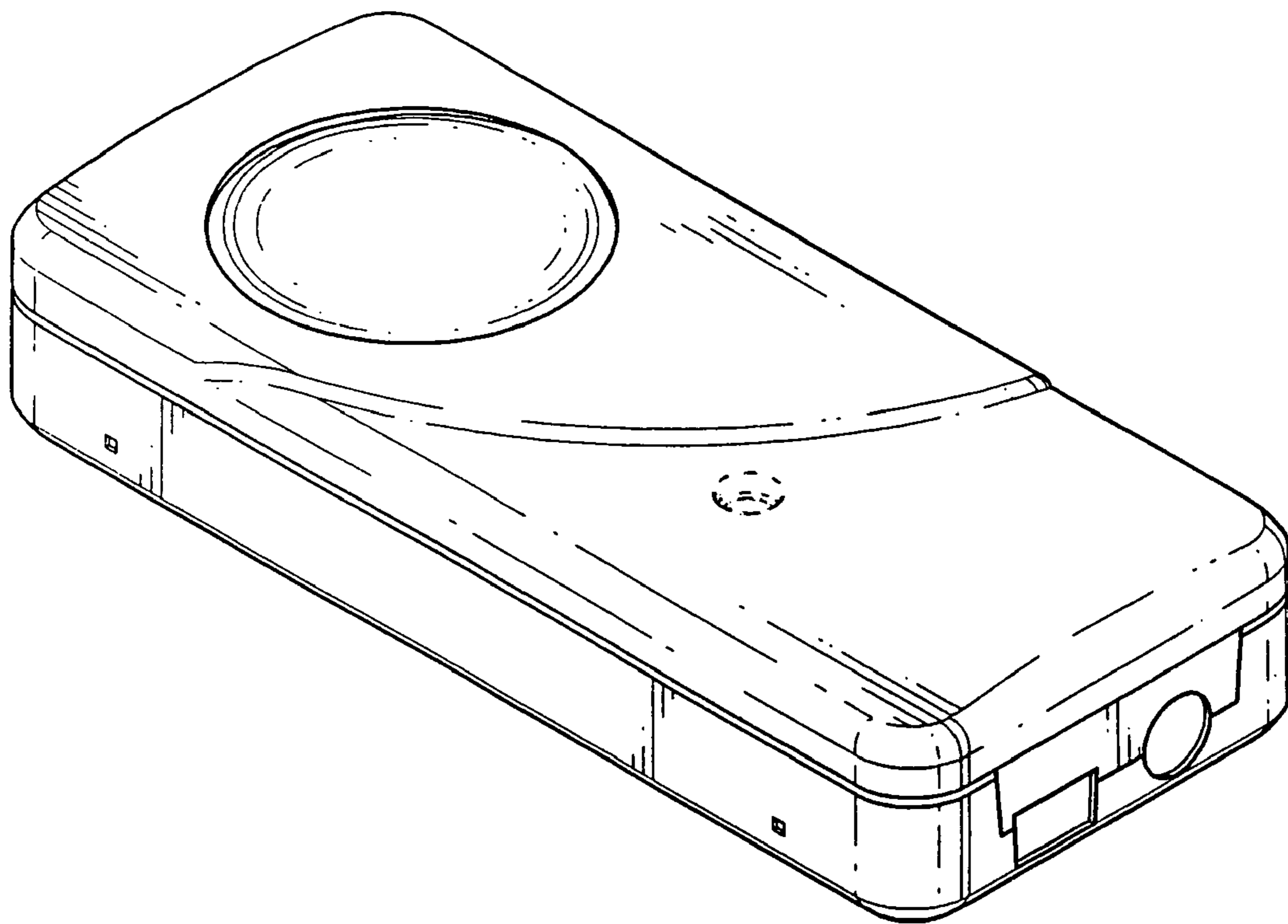


FIG. 1

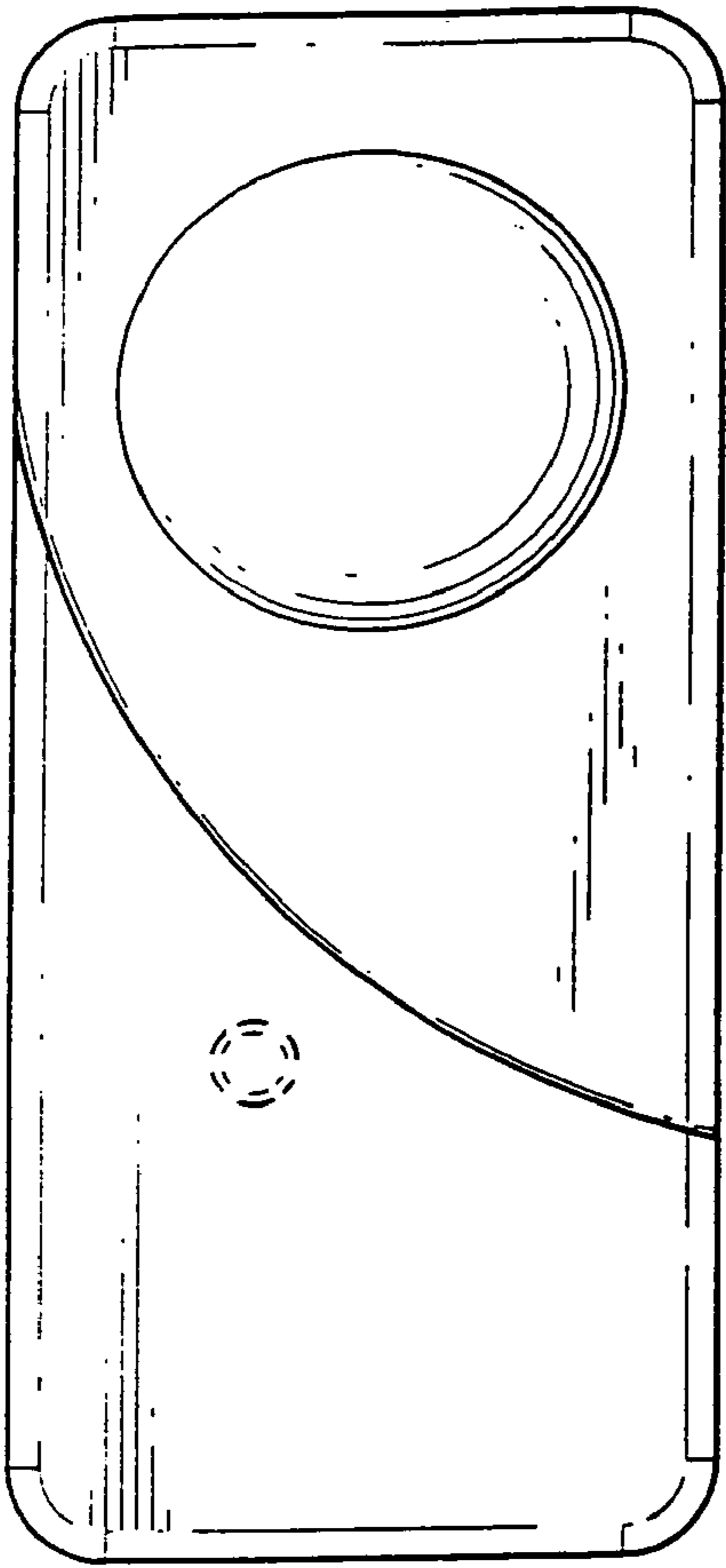


FIG. 2

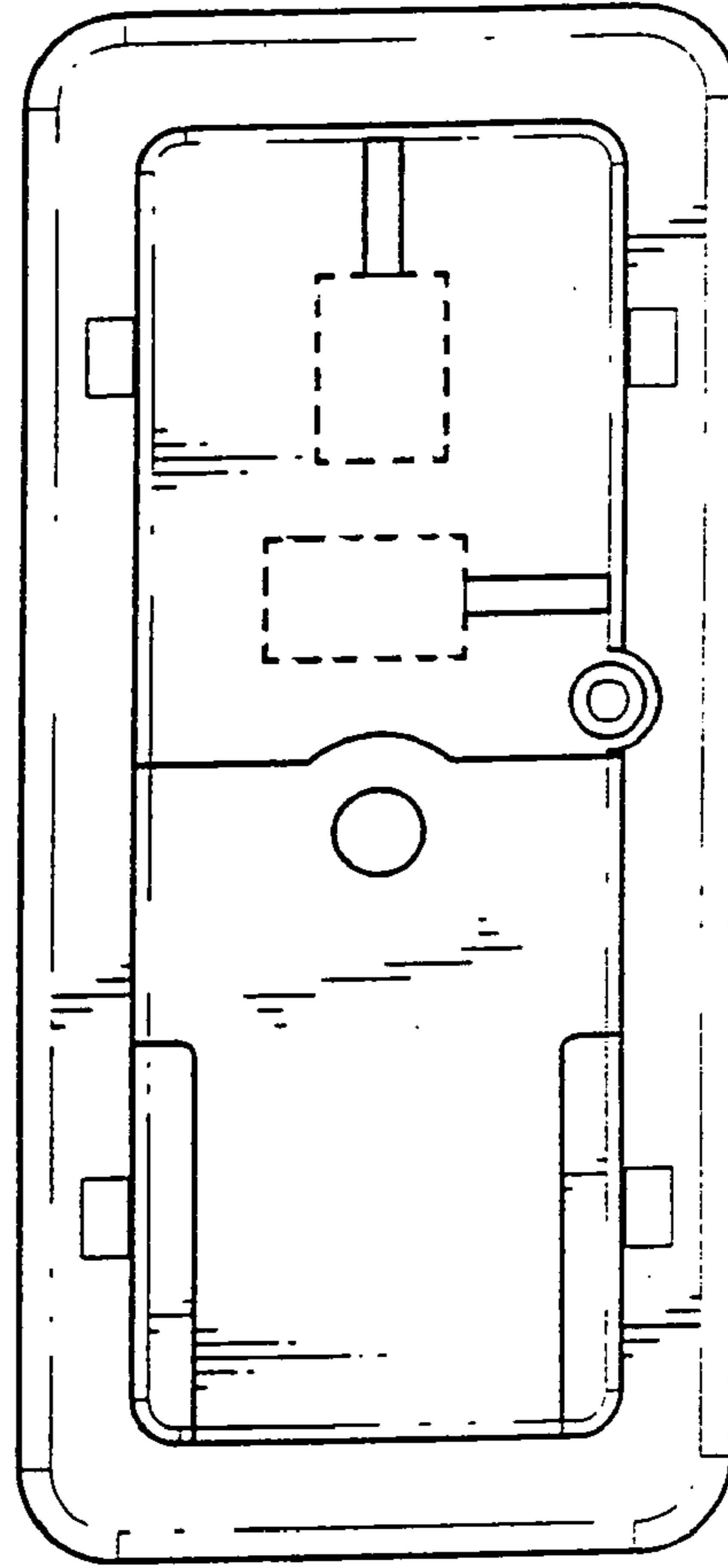


FIG. 3

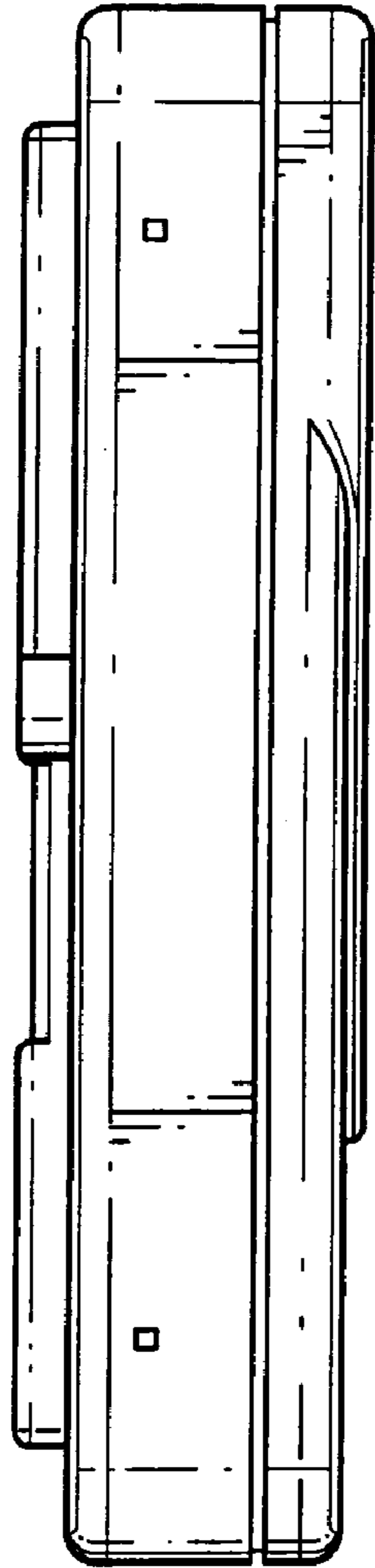


FIG. 4

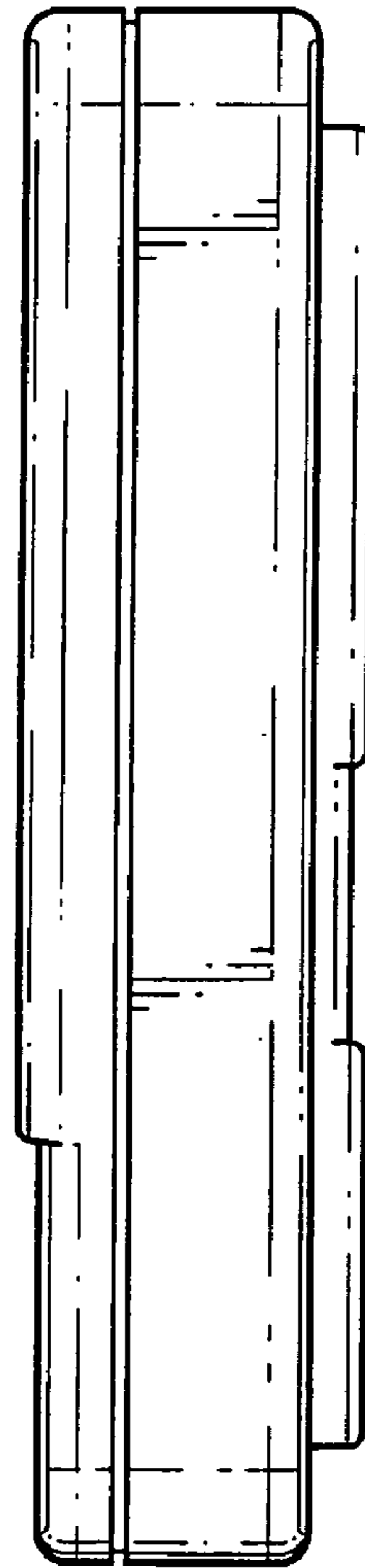


FIG. 5

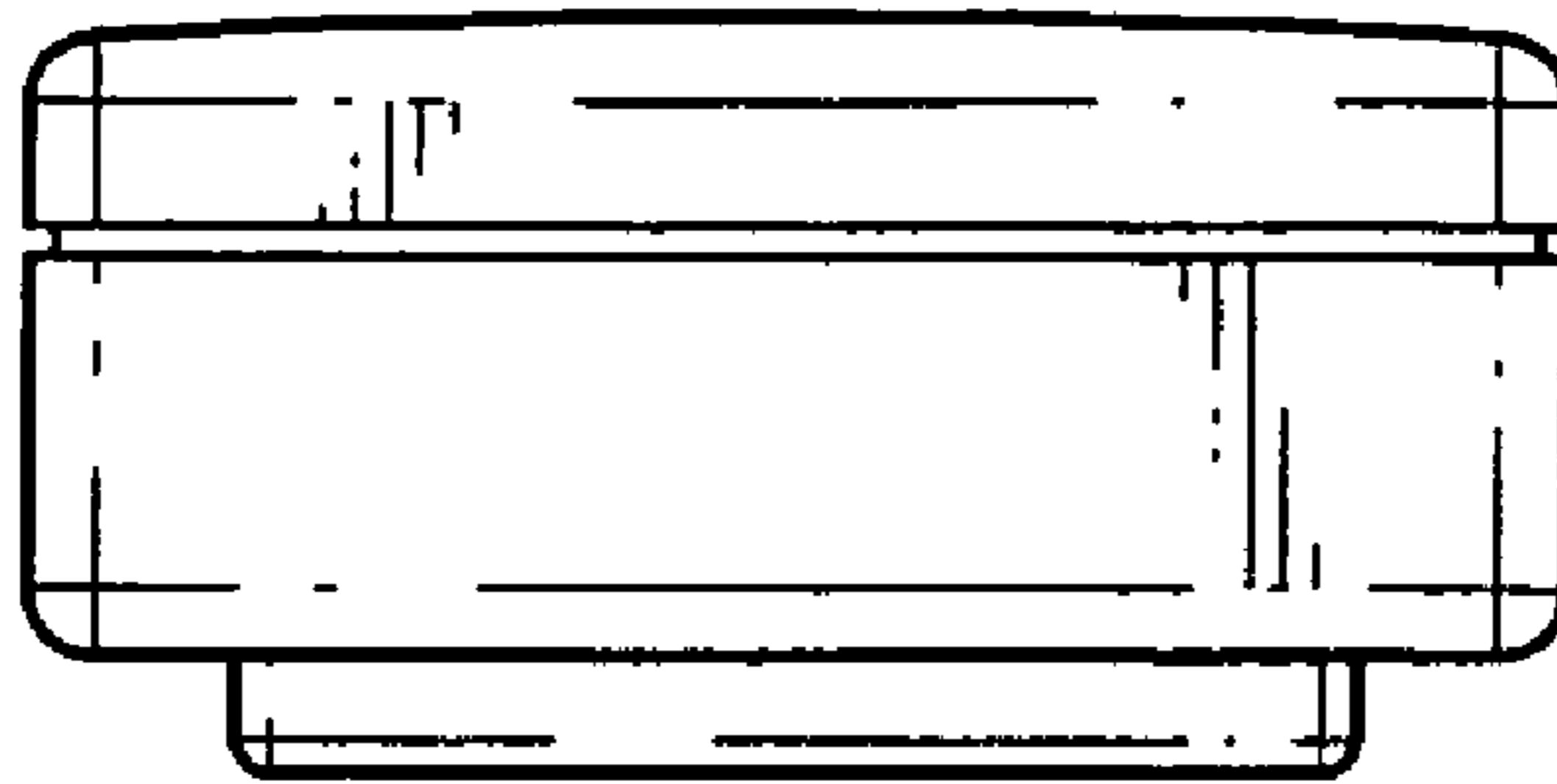


FIG. 6

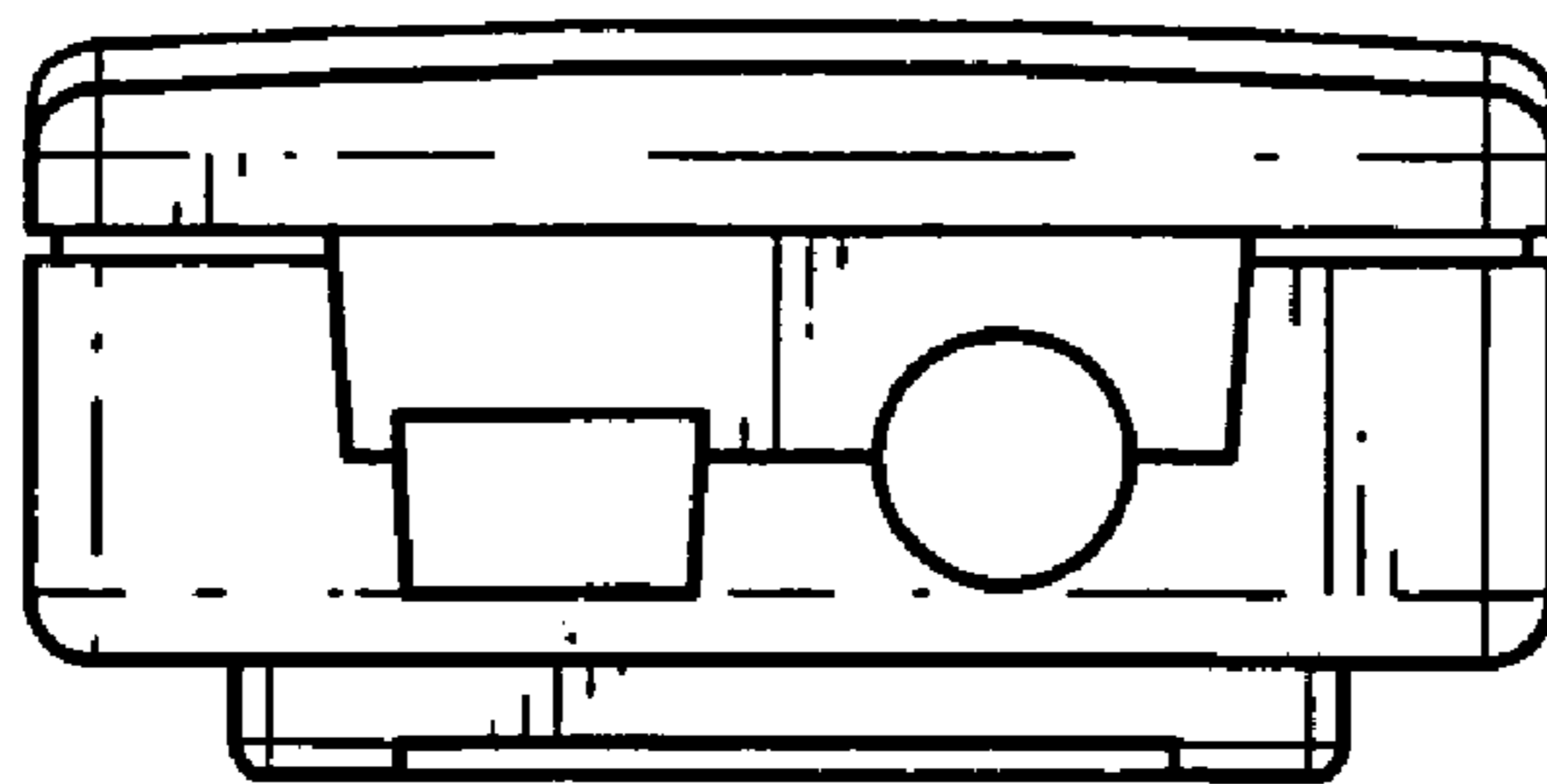


FIG. 7