



US00D596611S

(12) **United States Design Patent**
Hasegawa et al.

(10) **Patent No.:** **US D596,611 S**
(45) **Date of Patent:** **** Jul. 21, 2009**

(54) **TELEPHONE BASE UNIT**

(75) Inventors: **Takashi Hasegawa**, Kadoma (JP);
Takayuki Okawa, Kadoma (JP)

(73) Assignee: **Panasonic Corporation**, Osaka (JP)

(**) Term: **14 Years**

(21) Appl. No.: **29/322,164**

(22) Filed: **Jul. 30, 2008**

Related U.S. Application Data

(62) Division of application No. 29/297,402, filed on Nov. 9, 2007, now Pat. No. Des. 582,383.

(51) **LOC (9) Cl.** **14-03**

(52) **U.S. Cl.** **D14/149**

(58) **Field of Classification Search** D14/125-130,
D14/137, 140-142, 147-151, 158-159, 171,
D14/188, 225-226, 240, 243, 247, 251, 253,
D14/349, 356, 358, 434; 379/88.17, 90.01,
379/93.17, 387.01, 388.02, 419-420.04,
379/428.01-428.04, 434-436, 440, 446-447,
379/454-455; 381/16, 71.1; D13/107-108;
191/12.2 R; 320/108, 110, 113-115; 455/411,
455/550.1-90.3; 348/14.01-14.06

See application file for complete search history.

(56) **References Cited**

U.S. PATENT DOCUMENTS

D292,921 S	11/1987	Korellis	
D294,253 S	2/1988	Read	
4,979,205 A	12/1990	Haraguchi et al.	
D334,747 S	4/1993	Roegner	
D351,132 S *	10/1994	Brooks et al.	D13/108
D367,651 S *	3/1996	Hellier et al.	D14/149
D375,954 S	11/1996	Smith	
D395,280 S *	6/1998	Phelps	D13/108
D409,190 S *	5/1999	Tamura et al.	D14/151
6,130,521 A *	10/2000	Collins et al.	320/115
D456,795 S *	5/2002	Hughes et al.	D14/149
D460,446 S *	7/2002	Hughes et al.	D14/253

D466,476 S *	12/2002	Stratford	D13/108
D469,074 S	1/2003	Muensch et al.	
D488,440 S	4/2004	Senda	
D489,323 S	5/2004	Yoshida	
D495,312 S	8/2004	Fitzgerald	
D525,233 S	7/2006	Franck et al.	
D528,979 S	9/2006	Franck et al.	

(Continued)

OTHER PUBLICATIONS

AT&T EP562, <URL:http://www.101phones.com/details/6427-4256/ATT-5-8GHz-Extra-Handsets-EP562.html>, retrieved from internet Apr. 10, 2009.*

Primary Examiner—Charles A Rademaker

Assistant Examiner—Carla Jobe Wright

(74) *Attorney, Agent, or Firm*—Brinks Hofer Gilson & Lione

(57) **CLAIM**

We claim the ornamental design for a telephone base unit, as shown and described.

DESCRIPTION

FIG. 1 is a top perspective view of a telephone base unit of the present invention;

FIG. 2 is a front view thereof;

FIG. 3 is a rear view thereof;

FIG. 4 is a first side view thereof;

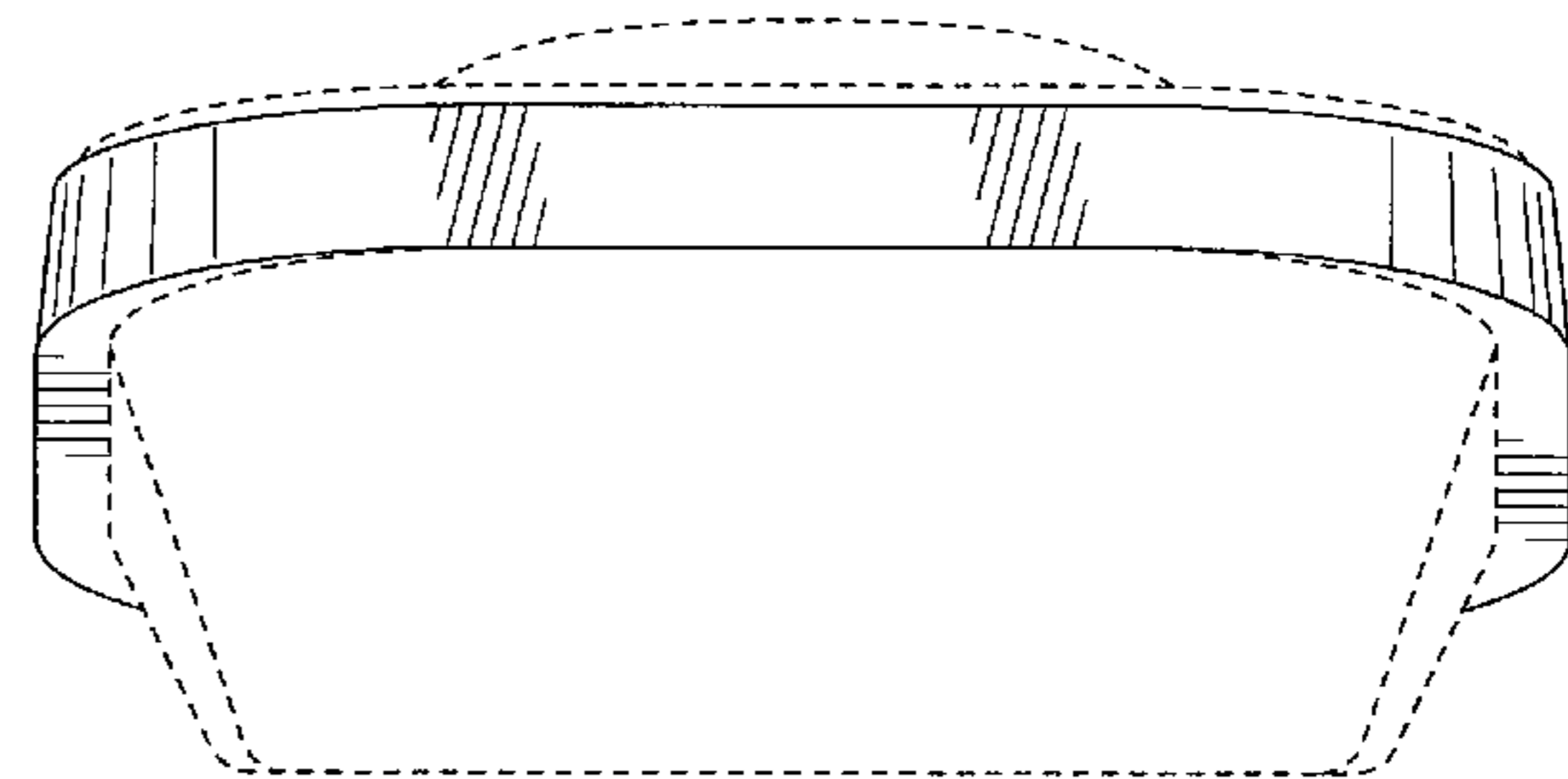
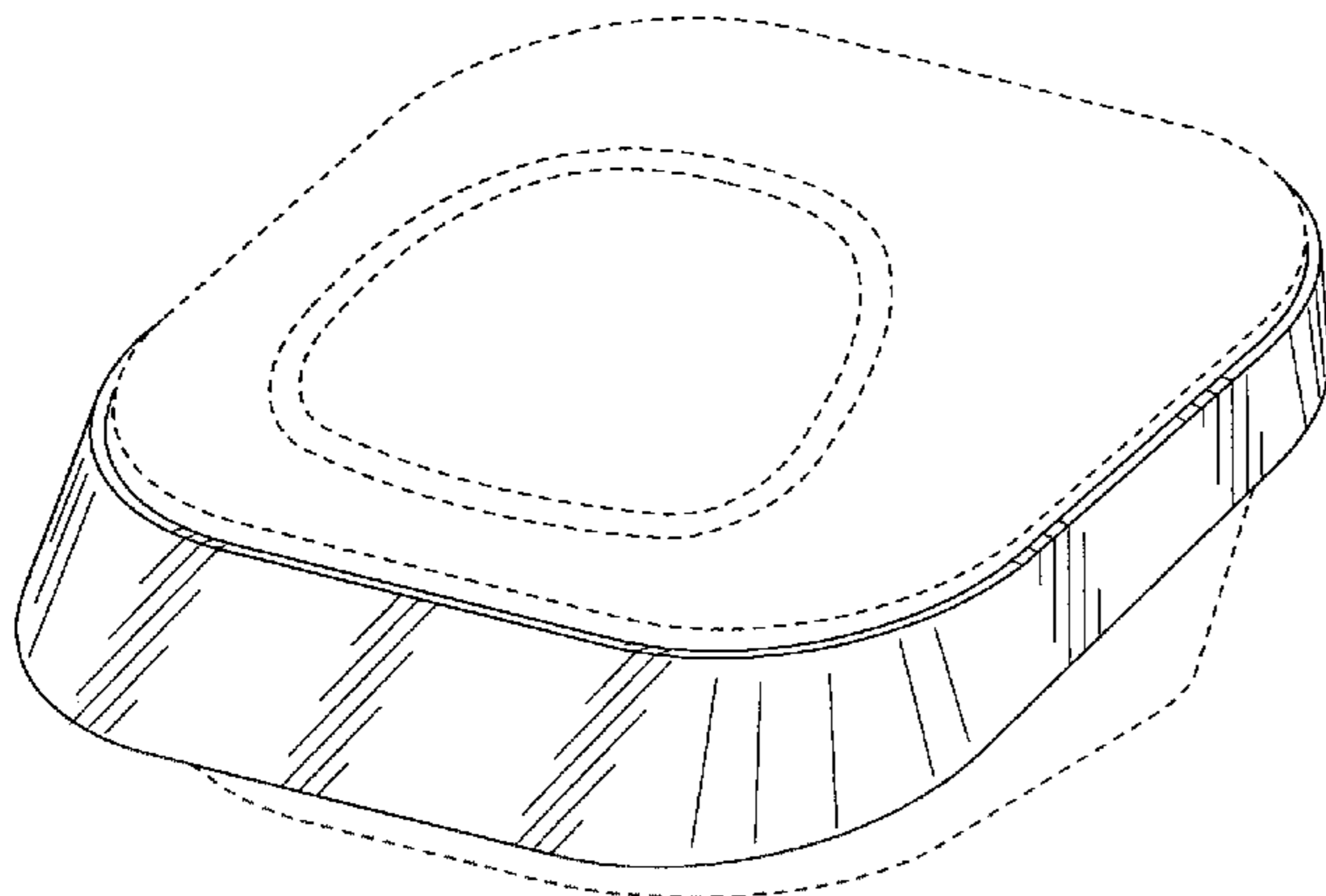
FIG. 5 is a second side view thereof;

FIG. 6 is a top view thereof; and,

FIG. 7 is a bottom view thereof.

The broken lines immediately adjacent the shaded areas, which define the unshaded regions, represent the bounds of the claimed design. All other broken lines are directed to environment and are for illustrative purposes only. The broken lines and unshaded regions within the broken lines form no part of the claimed design.

1 Claim, 7 Drawing Sheets



US D596,611 S

Page 2

U.S. PATENT DOCUMENTS

D530,302 S	10/2006	Franck et al.		
D544,476 S	6/2007	Wilson et al.		
D558,749 S	1/2008	Furuno et al.		
D562,762 S *	2/2008	Saddlemire et al.	D13/108	
D563,868 S *	3/2008	Christopher et al.	D13/108	
D566,041 S	4/2008	Stratford		
D570,324 S	6/2008	Furuno et al.		
D570,325 S *	6/2008	Hasegawa et al.	D14/149	
D570,820 S	6/2008	Katori		
D576,997 S *	9/2008	Furuno et al.	D14/149	
D580,855 S *	11/2008	Haspil et al.	D13/108	

* cited by examiner

FIG. 1

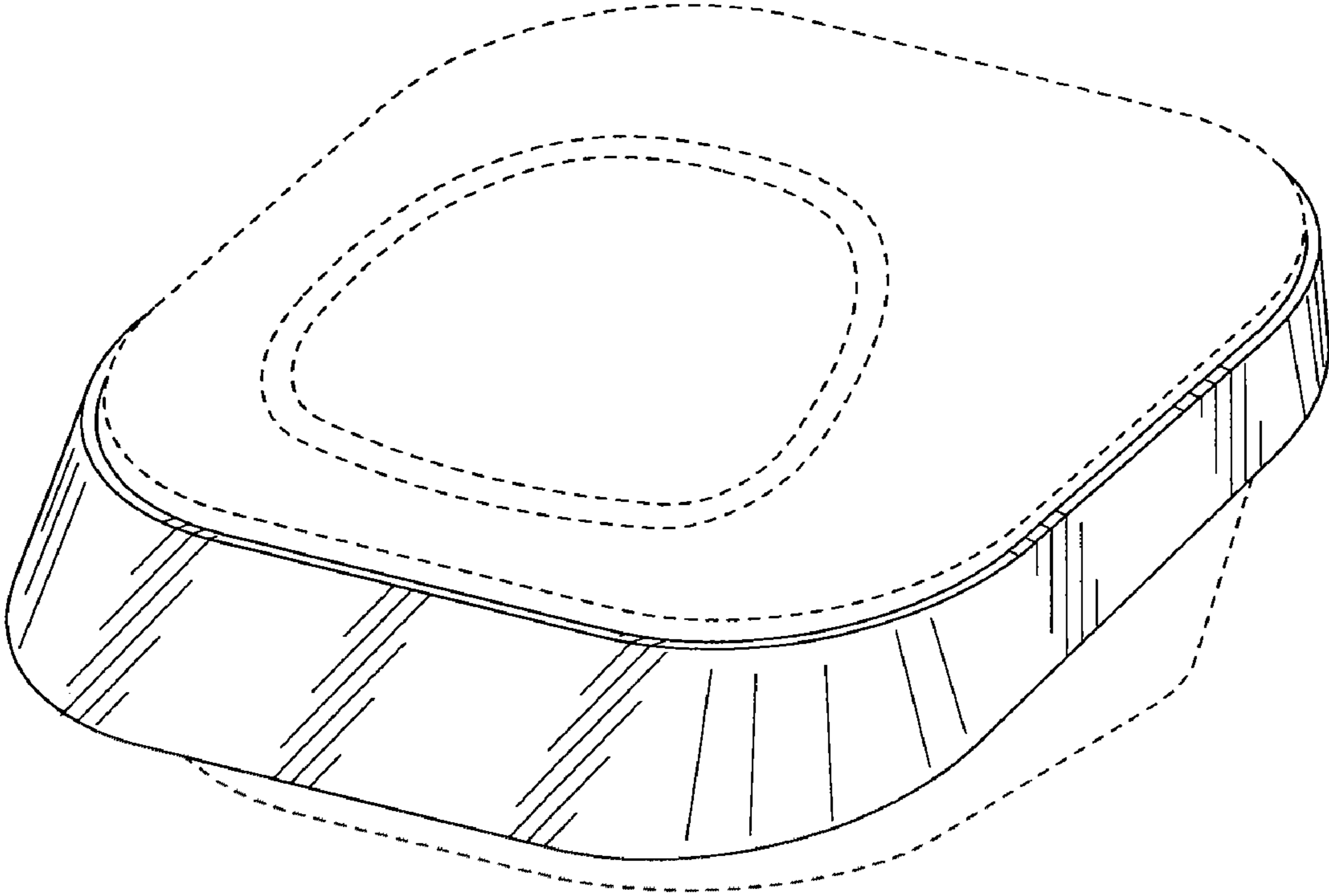


FIG.2

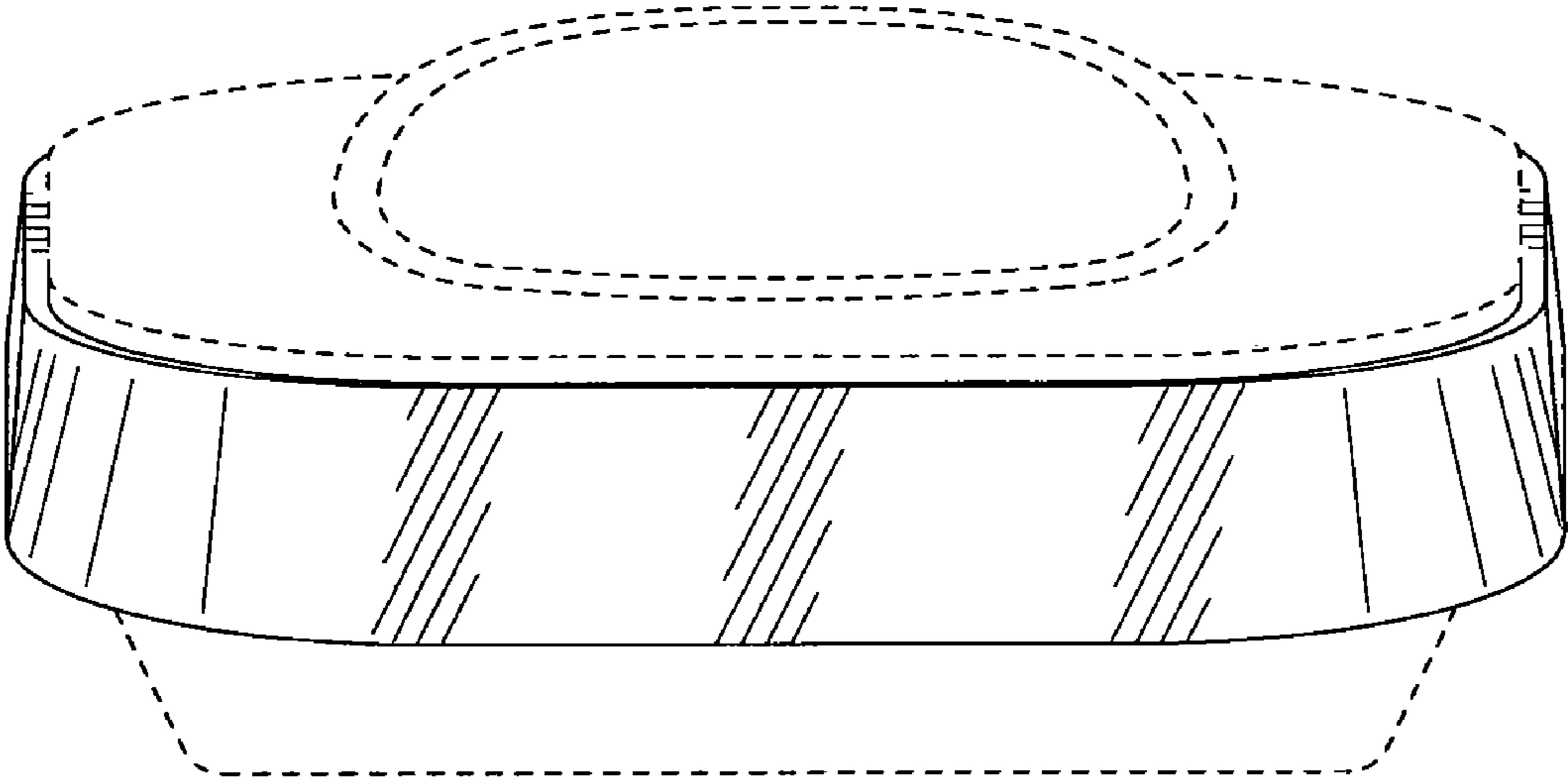


FIG.3

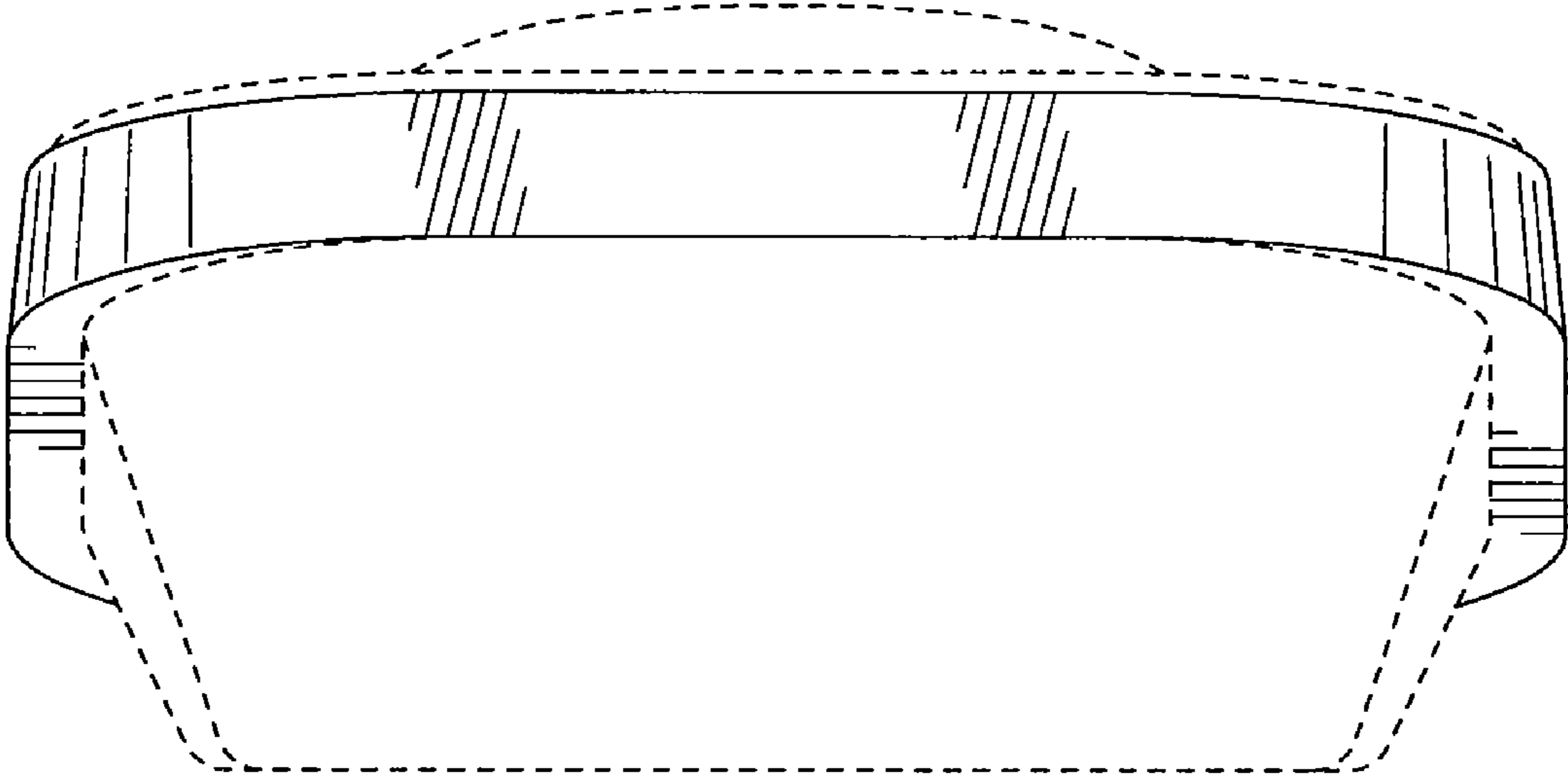


FIG. 4

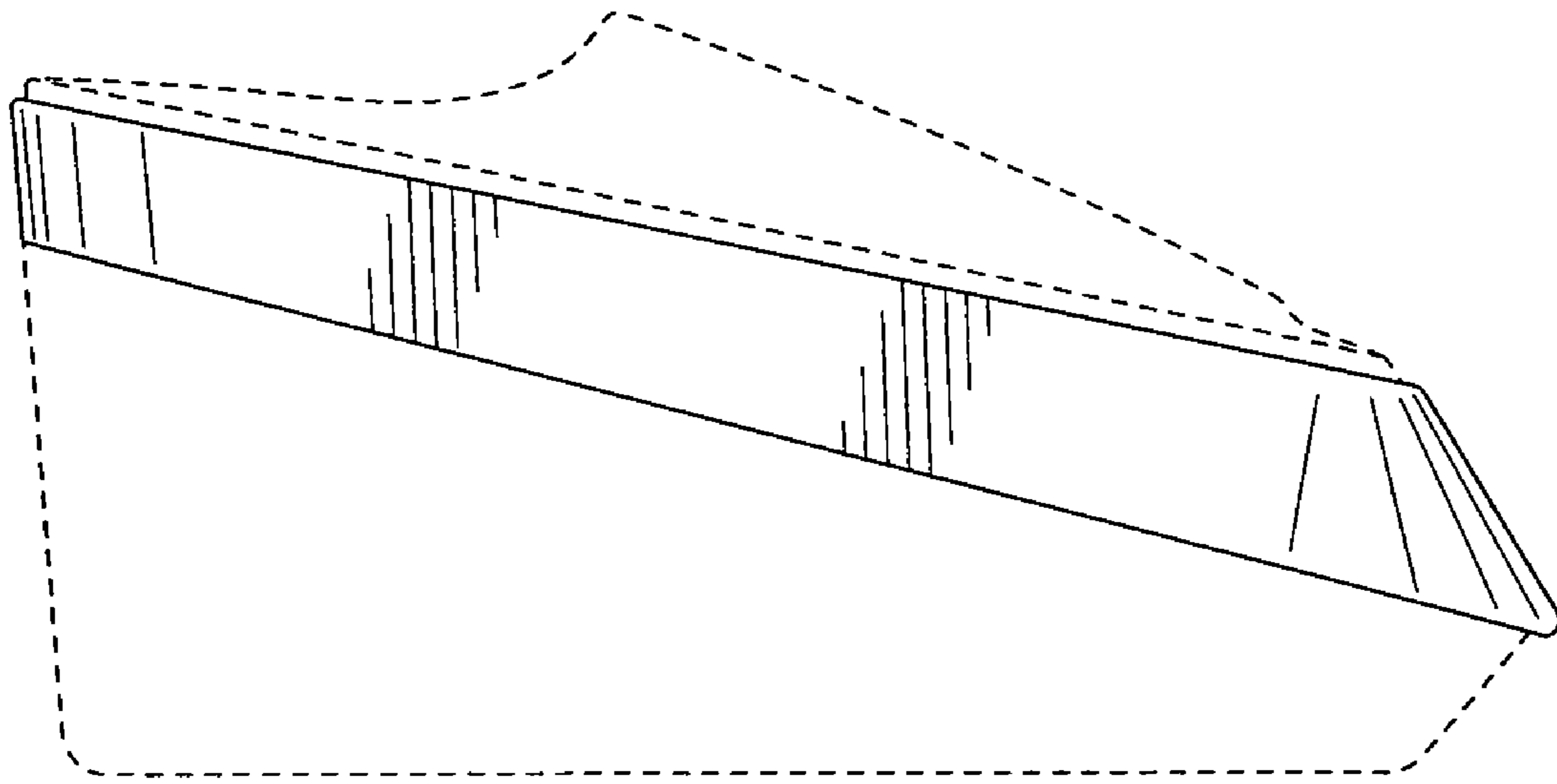


FIG. 5

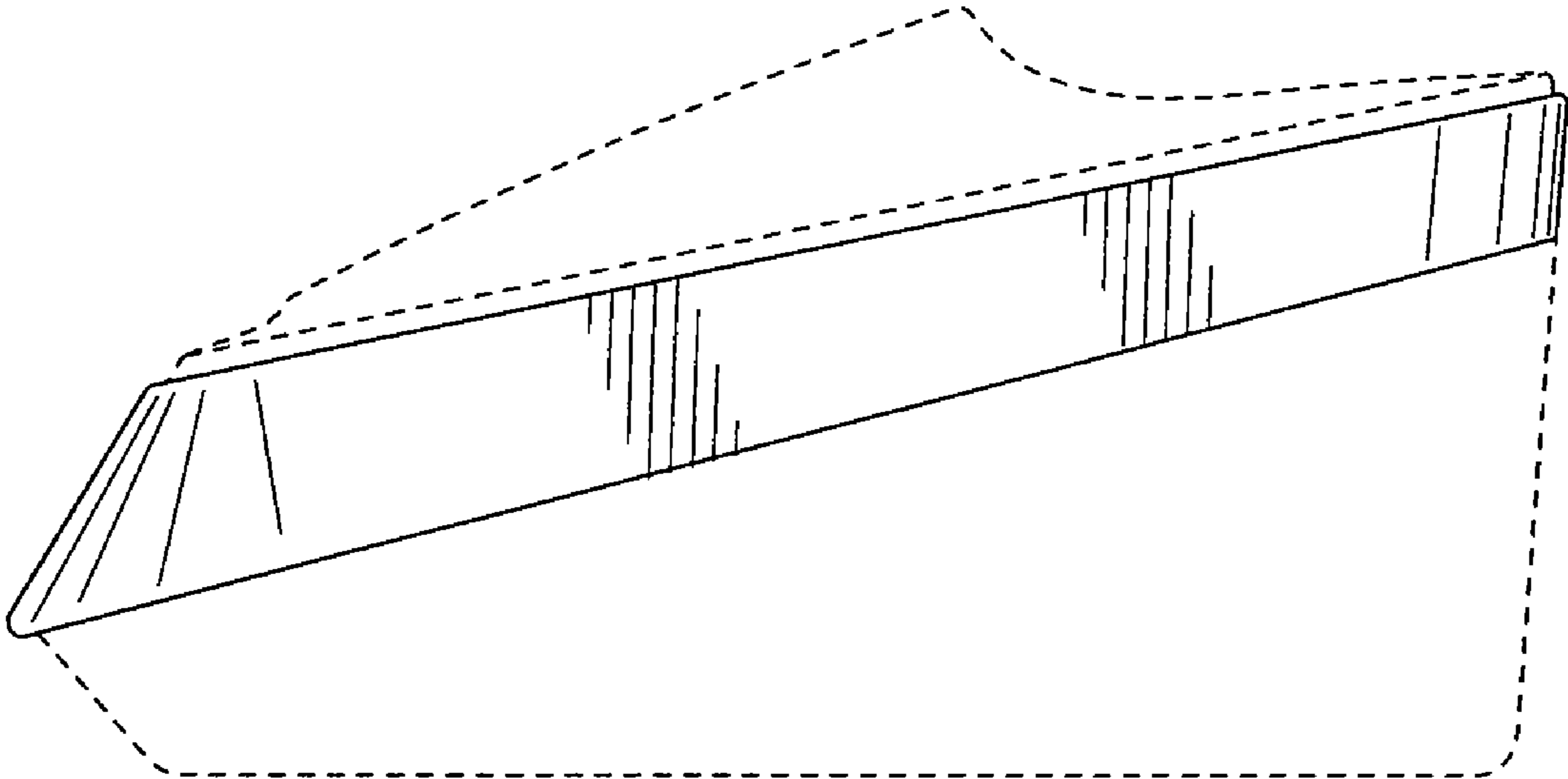


FIG. 6

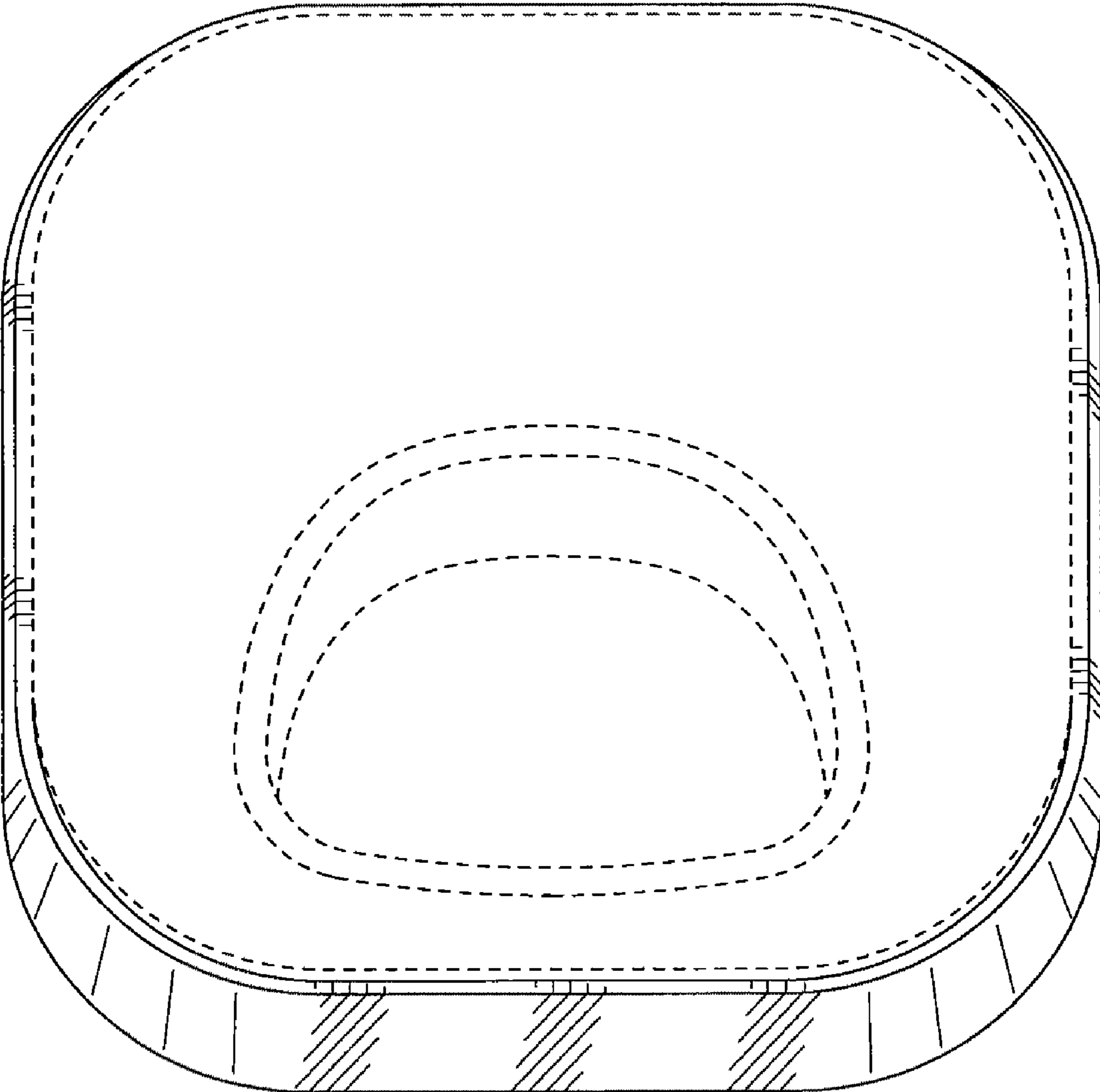


FIG. 7

