



US00D596610S

(12) **United States Design Patent**
Hou

(10) **Patent No.:** **US D596,610 S**
(45) **Date of Patent:** **** Jul. 21, 2009**

(54) **WRIST TYPE MOBILE PHONE**

(75) Inventor: **Hsiang Fei Hou, Tu-Cheng (TW)**

(73) Assignee: **Cheng Uei Precision Industry Co., Ltd., Taipei Hsien (TW)**

(**) Term: **14 Years**

(21) Appl. No.: **29/309,900**

(22) Filed: **Nov. 7, 2008**

(51) **LOC (9) Cl.** **14-03**

(52) **U.S. Cl.** **D14/144; D10/32**

(58) **Field of Classification Search** D14/137,
D14/138 R, 138 AA, 138 AB, 138 AC, 138 AD,
D14/138 C, 138 G, 144, 147-148, 156, 191,
D14/218, 247-248, 341-347, 390, 399, 455-456,
D14/496; D16/208; D21/329, 331, 333,
D21/517; 348/14.01-14.02; 361/814; 379/433.01-433.13;
455/90.3, 556.1-556.2, 566, 575.1, 575.3,
455/575.4, 575.6; D13/164, 168; 439/165;
343/702; 345/167, 168, 169; D10/65, 78,
D10/104, 31-32, 38-39; D18/7; D24/186;
368/10

See application file for complete search history.

(56) **References Cited**

U.S. PATENT DOCUMENTS

5,228,012	A	*	7/1993	Seager	368/10
D342,571	S	*	12/1993	Givens, Sr.	D24/186
D342,740	S	*	12/1993	Parker	D14/218
D355,132	S	*	2/1995	Williams	D10/32
D361,042	S	*	8/1995	Nanayakkara	D10/31
D366,036	S	*	1/1996	Houlihan	D14/344
D421,396	S	*	3/2000	Nakai	D10/31
D466,487	S	*	12/2002	Wada et al.	D14/138 R
D482,671	S	*	11/2003	DiDonato	D14/144
D507,550	S	*	7/2005	Kim et al.	D14/138 R

D543,192	S	*	5/2007	Jung	D14/138 R
D576,501	S	*	9/2008	Tang	D10/32
2007/0270199	A1	*	11/2007	Kim et al.	455/575.6

OTHER PUBLICATIONS

LG GD910, announced Jan. 2009, <URL:http://www.gsmarena.com/lg_gd910-pictures-2644.php>, retrieved from internet Mar. 11, 2009.*

Samsung Watch Phone, announced 4Q 2003, <URL:http://www.gsmarena.com/samsung_watch_phone-pictures-418.php>, retrieved from internet Mar. 11, 2009.*

* cited by examiner

Primary Examiner—Ian Simmons

Assistant Examiner—Carla Jobe Wright

(74) *Attorney, Agent, or Firm*—Rosenberg, Klein & Lee

(57) **CLAIM**

The ornamental design for a wrist type mobile phone, as shown and described.

DESCRIPTION

FIG. 1 is a perspective view of a wrist type mobile phone showing my new design;

FIG. 2 is a front elevational view thereof;

FIG. 3 is a rear elevational view thereof;

FIG. 4 is a left side elevational view thereof;

FIG. 5 is a right side elevational view thereof;

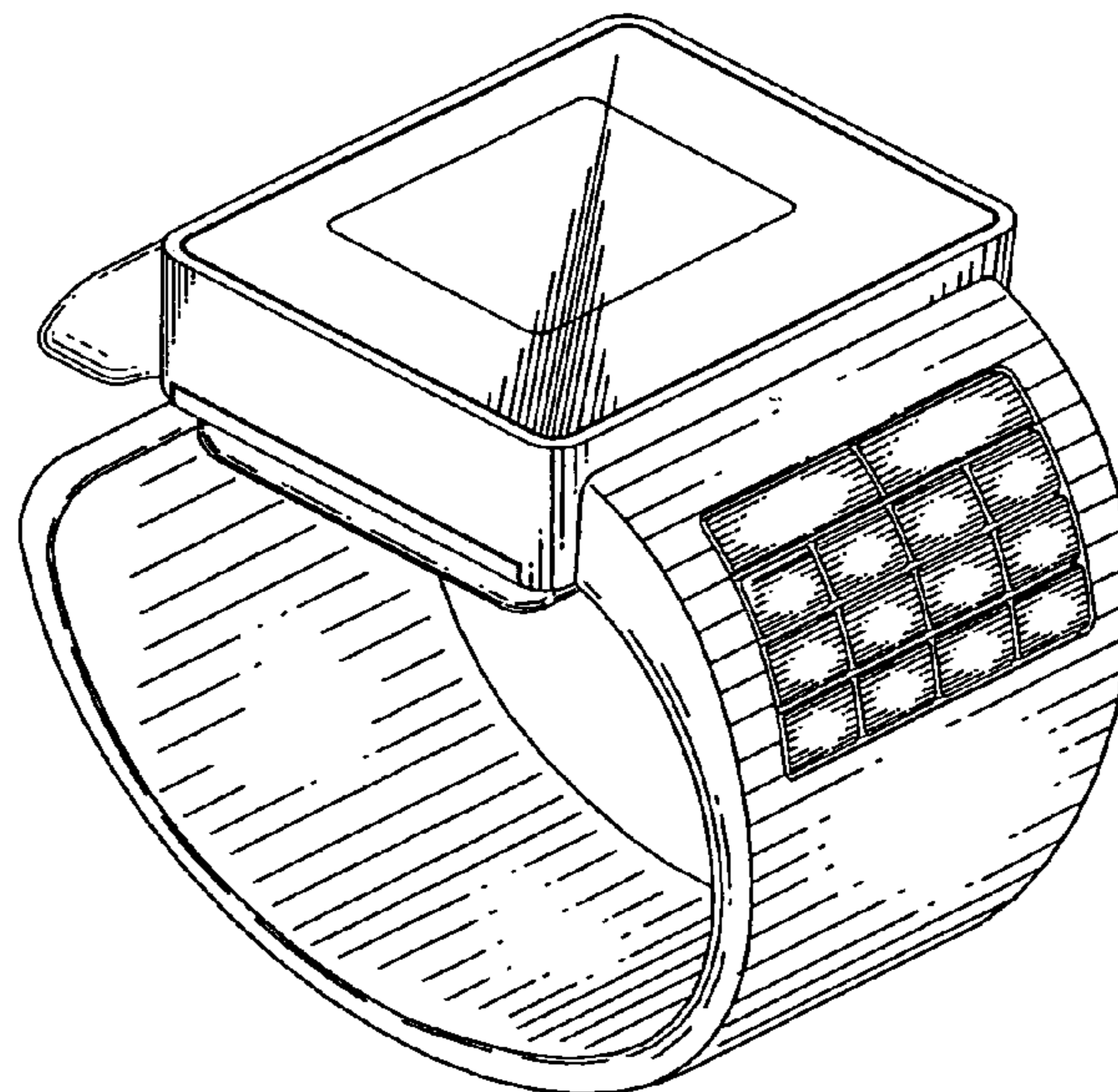
FIG. 6 is a top plan view thereof;

FIG. 7 is a bottom plan view thereof; and,

FIG. 8 is another perspective view of the wrist type mobile phone showing my new design.

The broken line showing of the two small round features in FIGS. 7 and 8 is for illustrative purposes only and forms no part of the claimed design.

1 Claim, 8 Drawing Sheets



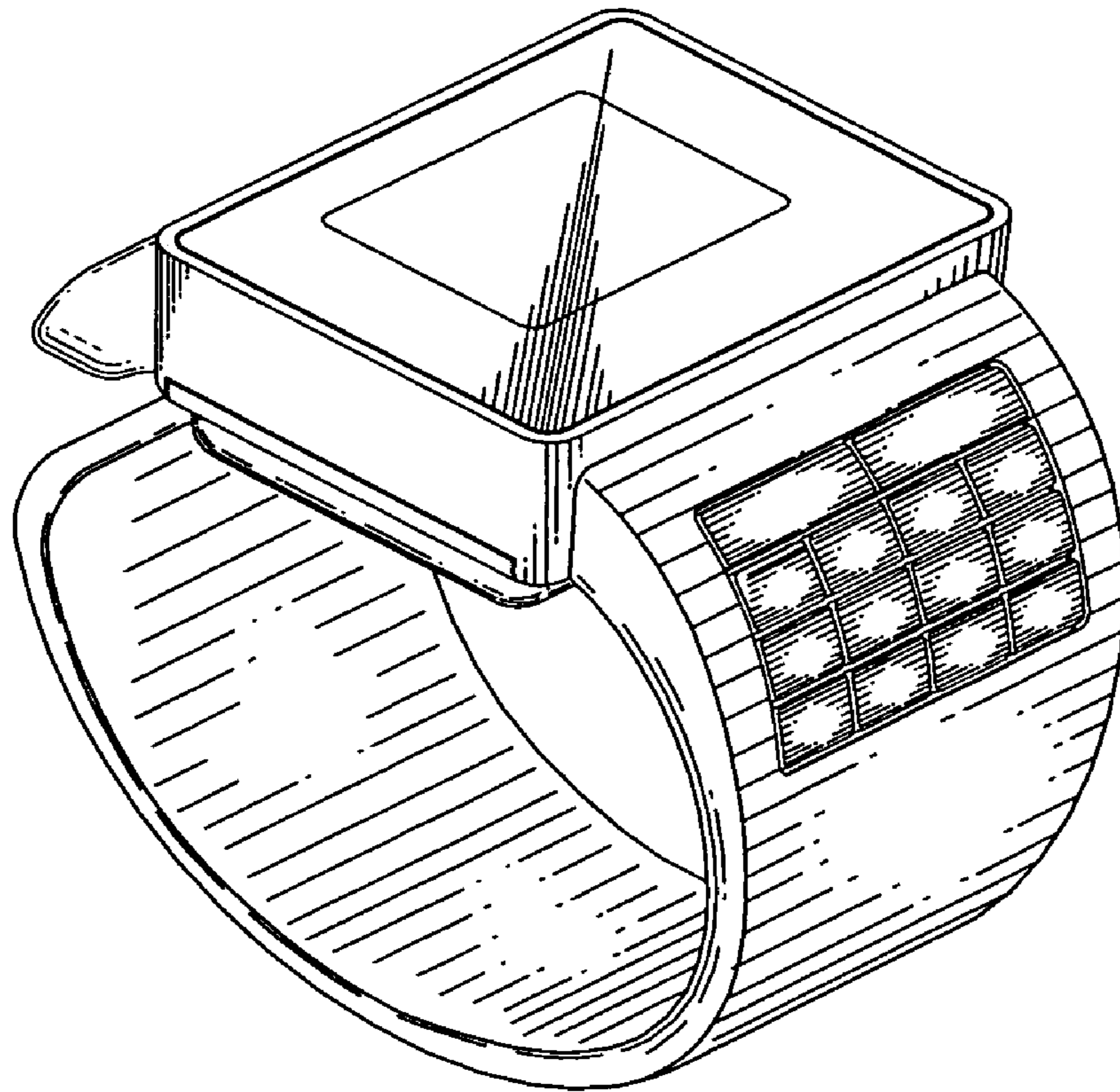


FIG. 1

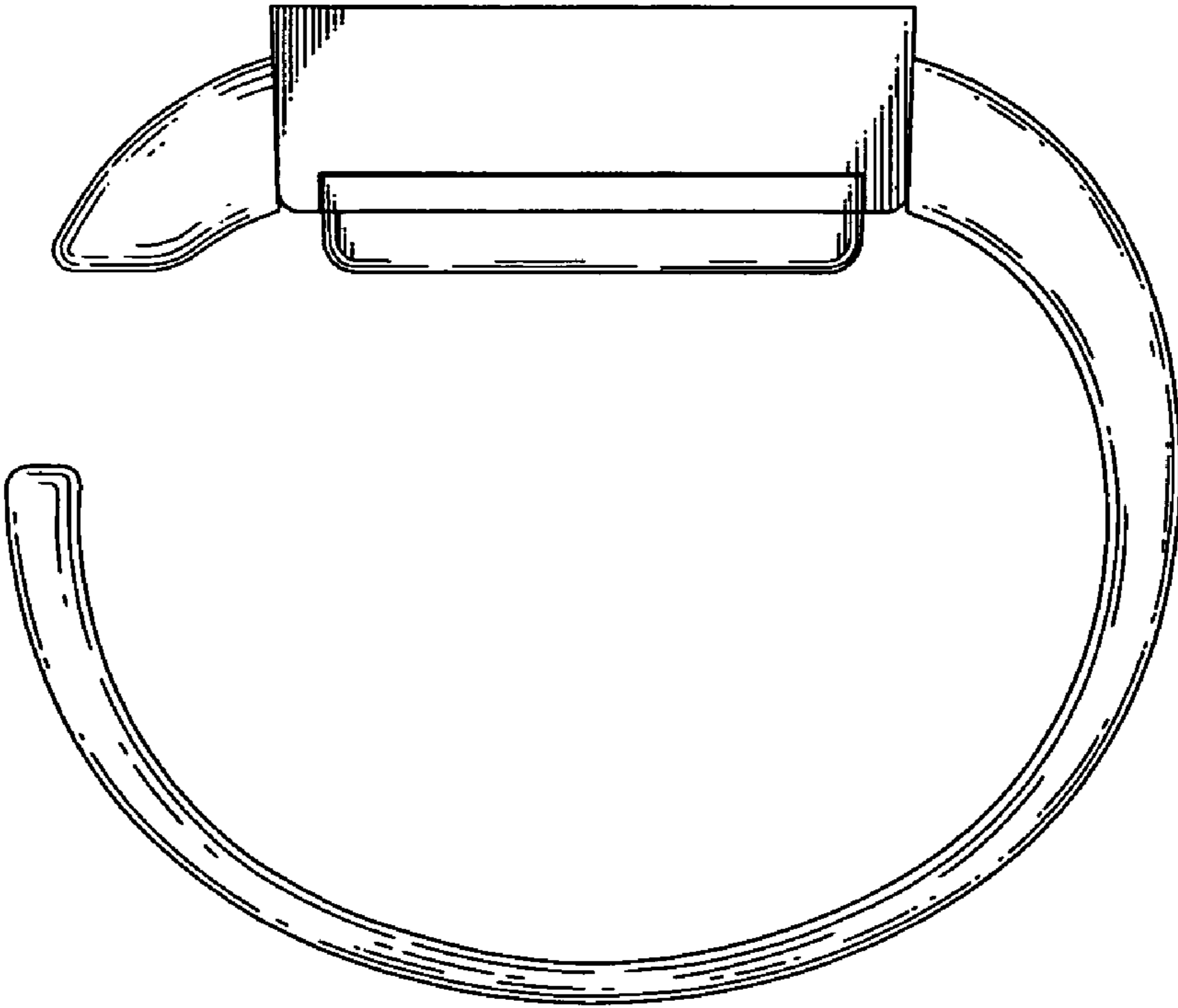


FIG. 2

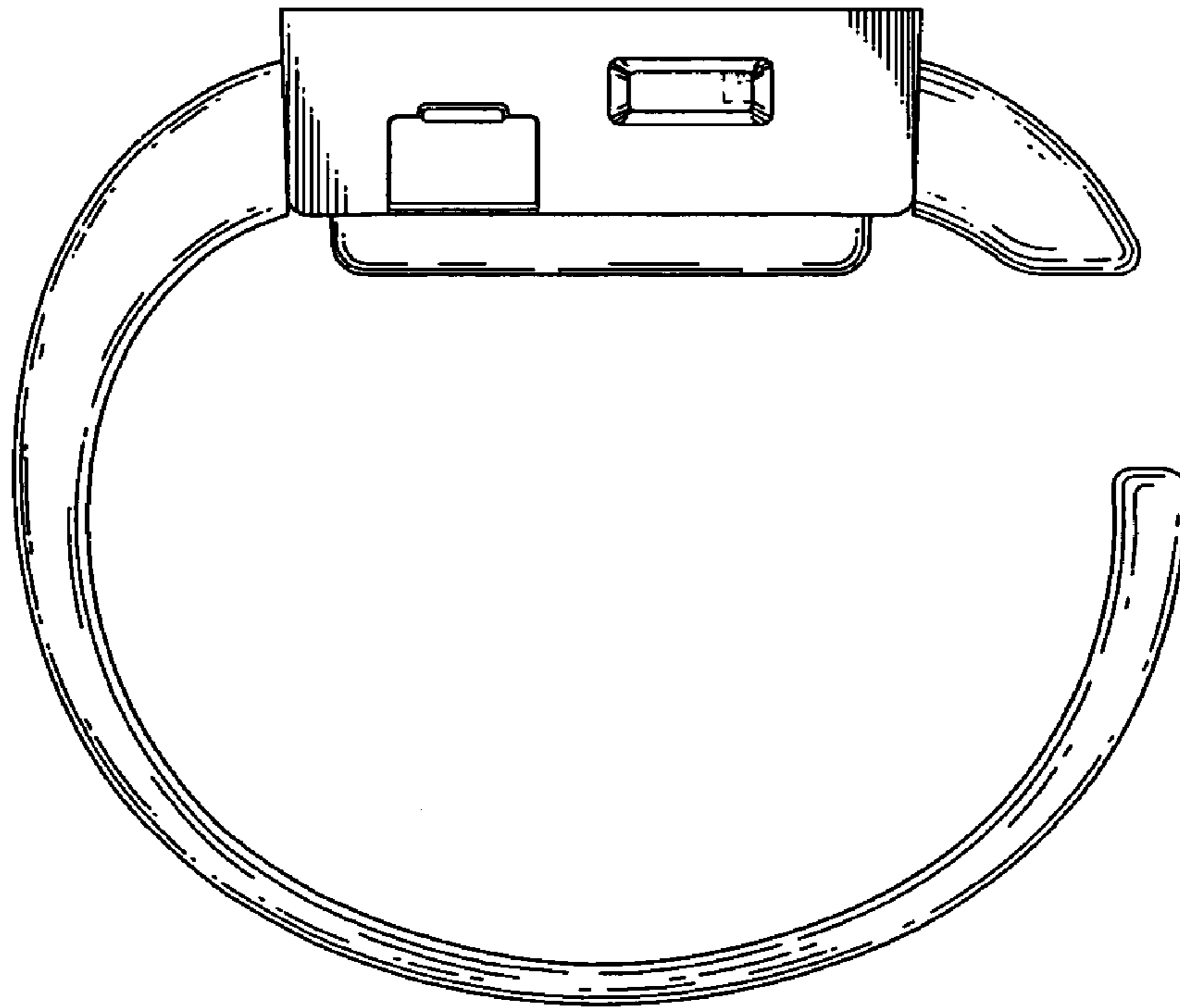


FIG. 3

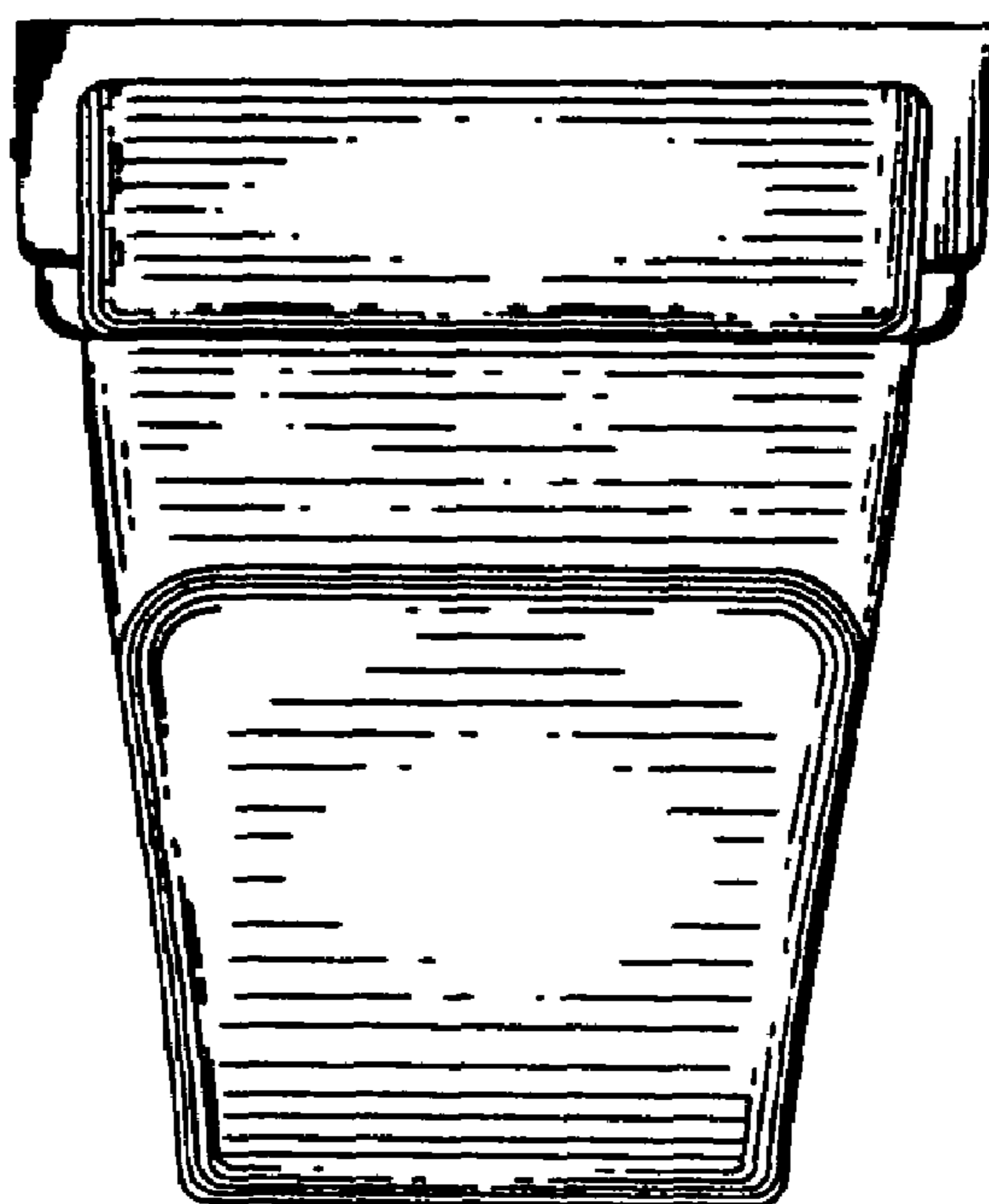


FIG. 4

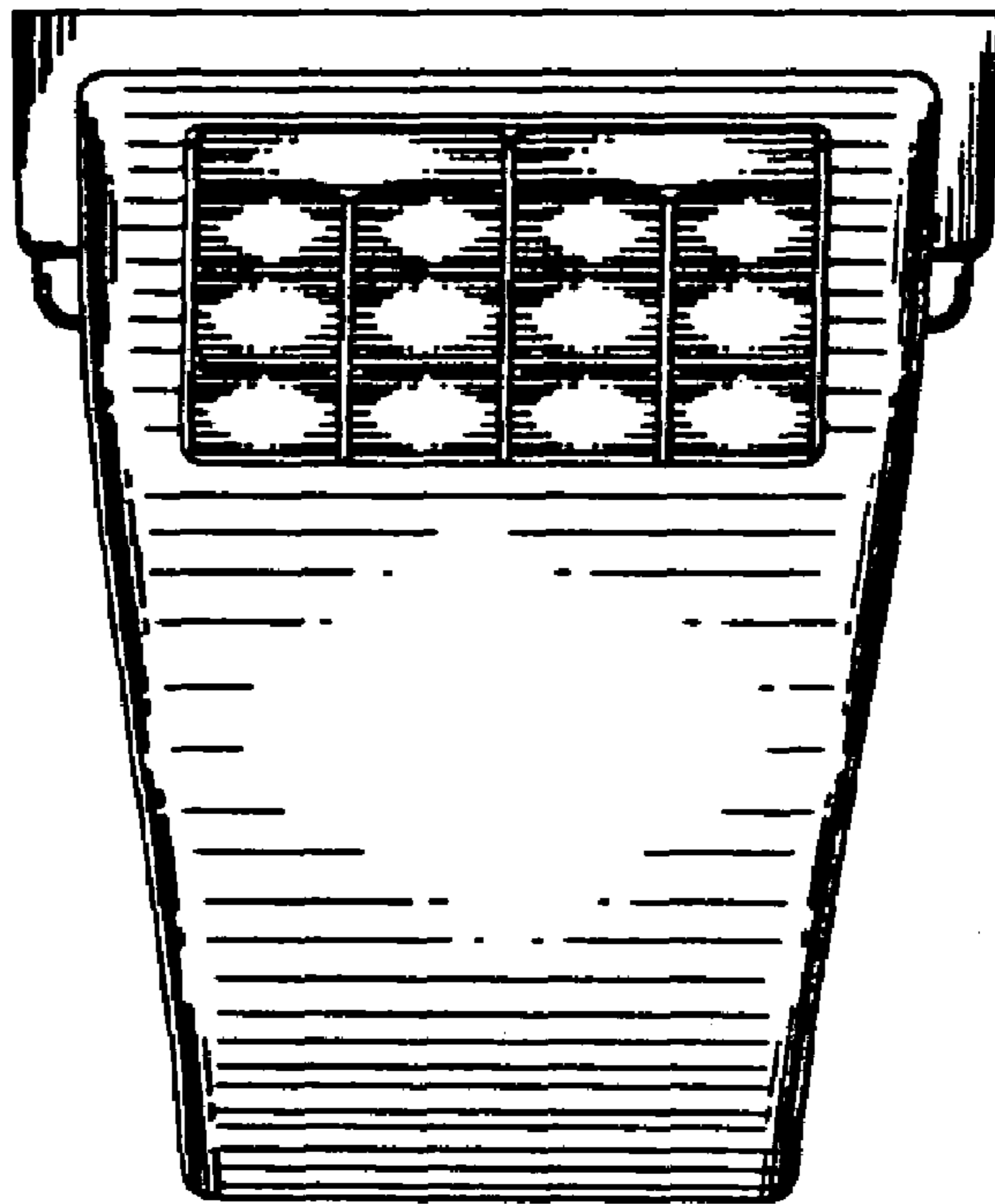


FIG. 5

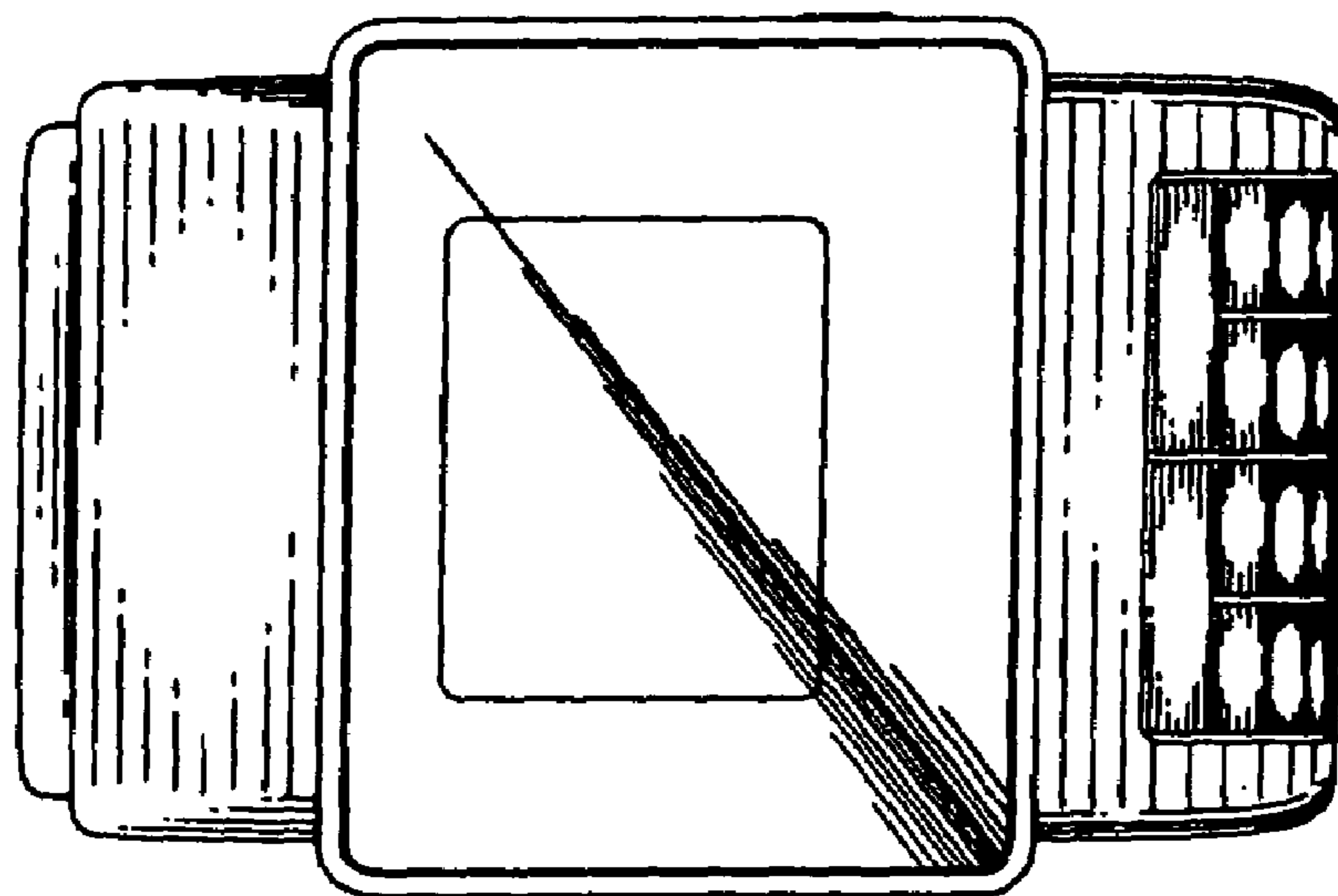


FIG. 6

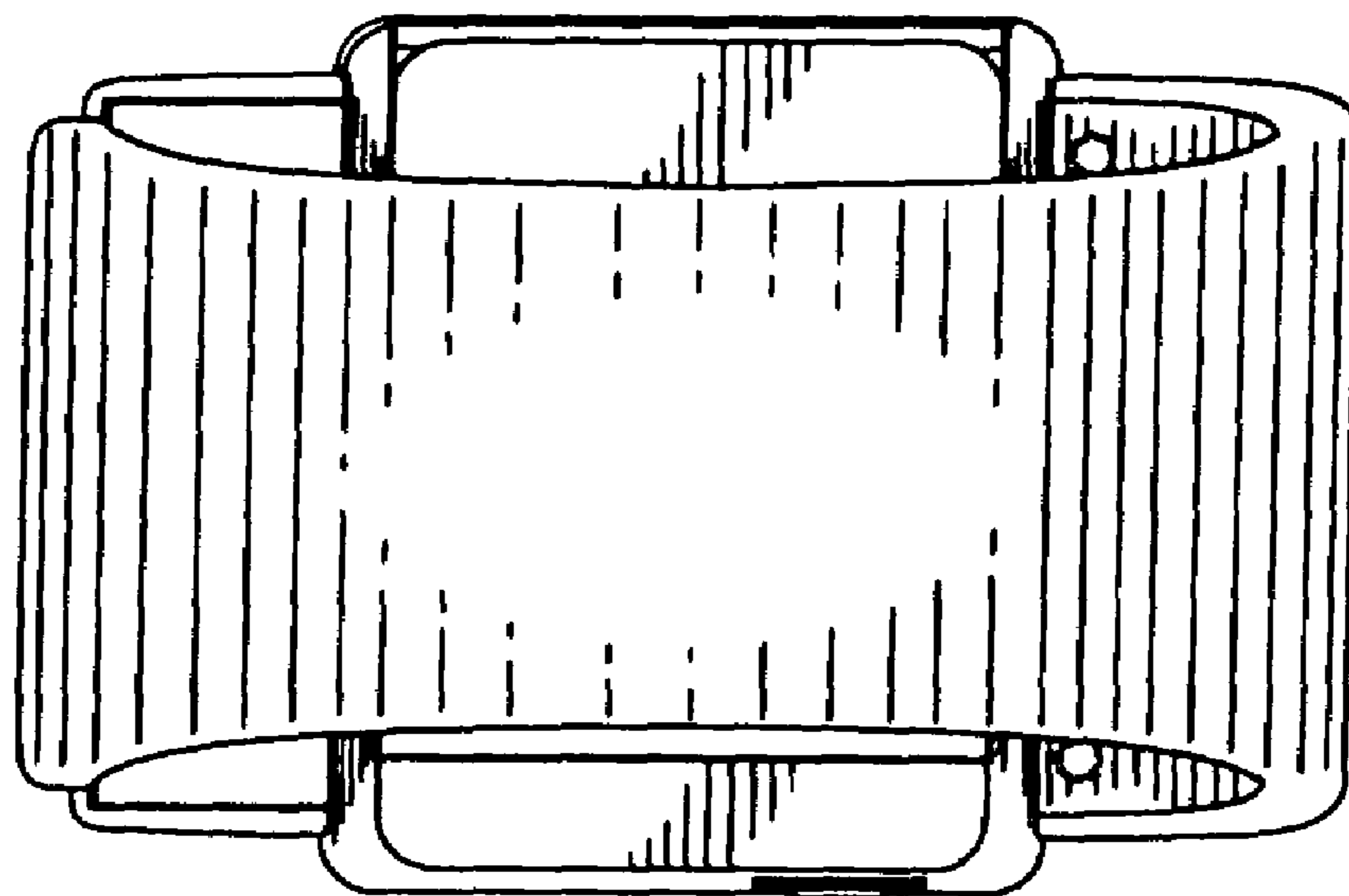


FIG. 7

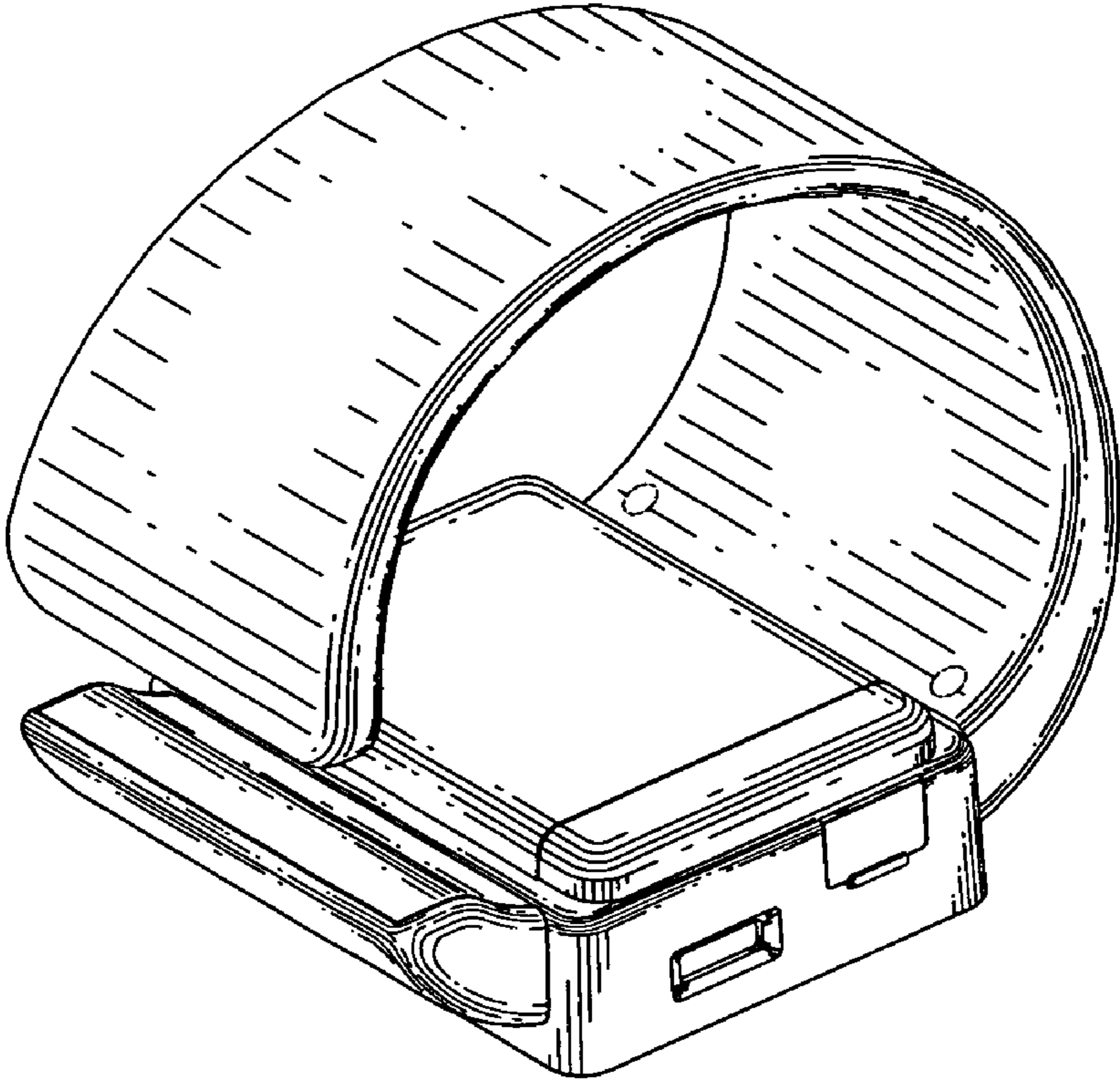


FIG. 8